



US00D622587S

(12) **United States Design Patent**
Schumann et al.

(10) **Patent No.:** **US D622,587 S**

(45) **Date of Patent:** **** Aug. 31, 2010**

(54) **RETAIL PACKAGE**

(75) Inventors: **Timothy D. Schumann**, Arden Hills, MN (US); **Jenna Bowar**, Minneapolis, MN (US)

(73) Assignee: **Target Brands, Inc.**, Minneapolis, MN (US)

(**) Term: **14 Years**

(21) Appl. No.: **29/325,678**

(22) Filed: **Oct. 3, 2008**

(51) **LOC (9) Cl.** **09-03**

(52) **U.S. Cl.** **D9/415**

(58) **Field of Classification Search** D9/702, D9/703, 705, 707, 709, 715, 722, 414, 415, D9/418, 421, 432, 433, 457; 383/103, 107, 383/84, 100, 108; 229/200, 92.8, 87.06; 426/106; 206/308.1, 449, 454, 555, 756, 206/762; 235/380, 486, 487; 283/107, 51, 283/57, 61, 62, 74; 40/124.01, 124.06, 124.191, 40/638, 43; 53/460; D19/9, 10

See application file for complete search history.

(56) **References Cited**

U.S. PATENT DOCUMENTS

4,941,574 A *	7/1990	Meehan	206/466
5,141,254 A *	8/1992	Ring	283/105
5,167,429 A *	12/1992	Casale et al.	283/105
5,326,964 A	7/1994	Risser	
5,650,209 A	7/1997	Ramsburg et al.	
D382,668 S *	8/1997	Dolan	D28/66
5,667,247 A	9/1997	Ramsburg et al.	
D385,488 S	10/1997	Smith et al.	
5,720,158 A	2/1998	Goade, Sr.	
5,740,915 A	4/1998	Williams	
D394,387 S	5/1998	Williams	
5,760,381 A	6/1998	Stich et al.	
5,777,305 A	7/1998	Smith et al.	

5,791,474 A 8/1998 Hansen
5,918,909 A 7/1999 Fiala et al.
5,921,584 A 7/1999 Goade, Sr.

(Continued)

Primary Examiner—Daniel D Bui

Assistant Examiner—Thomas J Johannes

(74) *Attorney, Agent, or Firm*—Griffiths & Seaton PLLC

(57) **CLAIM**

The ornamental design for a retail package, as shown and described.

DESCRIPTION

FIG. 1 is a front perspective view of a retail package showing our new design in a folded position;

FIG. 2 is a front view thereof;

FIG. 3 is a rear view thereof;

FIG. 4 is a left side view thereof;

FIG. 5 is a right side view thereof;

FIG. 6 is a top view thereof; and

FIG. 7 is a bottom view thereof.

FIG. 8 is a front perspective view of the retail package of FIG. 1 in an unfolded position;

FIG. 9 is a front view thereof;

FIG. 10 is a rear view thereof;

FIG. 11 is a left side view thereof;

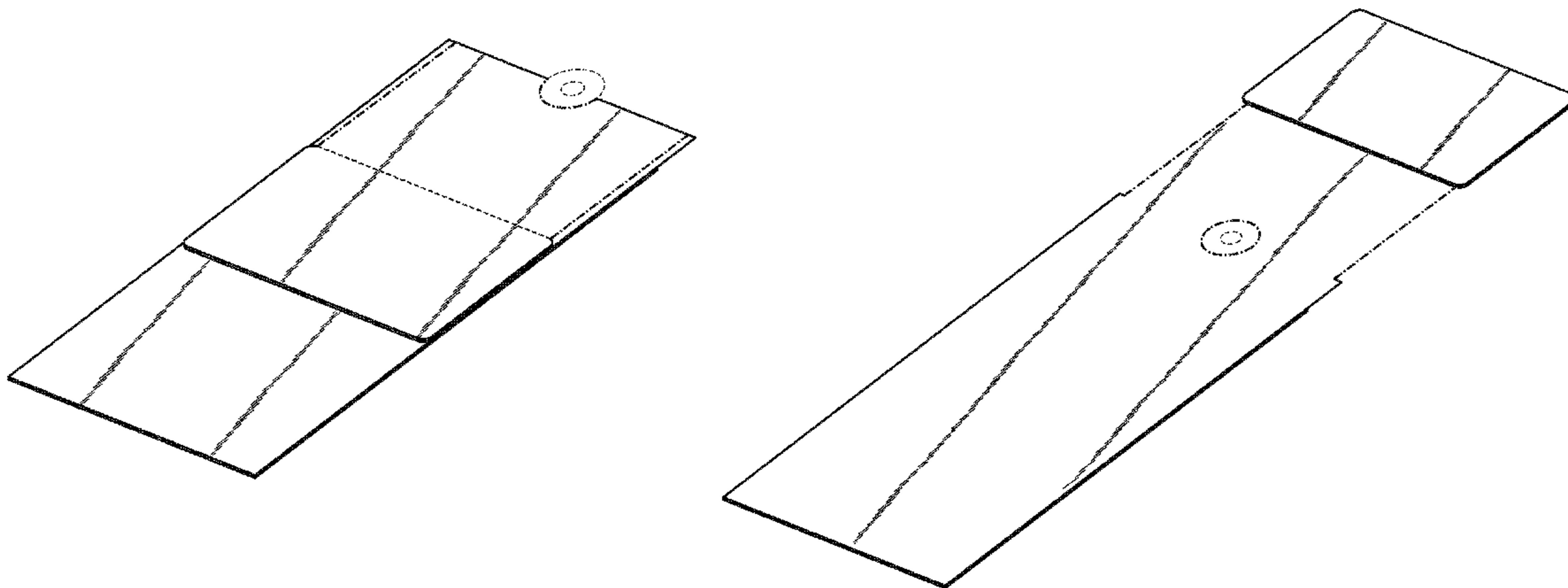
FIG. 12 is a right side view thereof;

FIG. 13 is a top view thereof; and,

FIG. 14 is a bottom view thereof.

The broken line portion of the figure drawings is included to show unclaimed subject matter only and forms no part of the claimed design; whereas, the special dot-dash broken lines show the bounds of the claim and form no part thereof.

1 Claim, 10 Drawing Sheets



US D622,587 S

U.S. PATENT DOCUMENTS					
5,975,302	A	11/1999 Young	D533,220	S	12/2006 Graves et al.
6,109,439	A	8/2000 Goade, Sr.	7,188,762	B2	3/2007 Goade, Sr. et al.
6,145,665	A	11/2000 Krahn	7,219,829	B2	5/2007 Treat
6,224,108	B1	5/2001 Klure	7,243,839	B2	7/2007 Beck et al.
6,315,206	B1	11/2001 Hansen et al.	7,252,197	B1	8/2007 Voswinkel
6,325,284	B1	12/2001 Walker et al.	7,278,570	B2	10/2007 McGee et al.
6,328,341	B2	12/2001 Klure	7,494,056	B2 *	2/2009 Sturm 235/380
6,349,829	B1	2/2002 Matheis et al.	D616,295	S *	5/2010 Britt et al. D9/414
6,382,676	B1	5/2002 Cochran et al.	2002/0157974	A1	10/2002 Krahn
6,439,613	B2	8/2002 Klure	2003/0150762	A1	8/2003 Biller
6,493,970	B1	12/2002 McCarthy et al.	2005/0011802	A1	1/2005 Chan
6,543,809	B1	4/2003 Kistner et al.	2005/0017502	A1	1/2005 Chariker
D479,688	S	9/2003 Kumakura et al.	2005/0061889	A1	3/2005 McGee et al.
6,619,480	B2	9/2003 Smith	2005/0247798	A1	11/2005 Graves et al.
6,640,974	B2	11/2003 Malone	2005/0258060	A1	11/2005 Katz
6,708,434	B1	3/2004 Zarrow et al.	2005/0279825	A1	12/2005 Ashby et al.
6,715,795	B2	4/2004 Klure	2006/0091202	A1	5/2006 McInnis
6,739,505	B2	5/2004 Walker et al.	2006/0151348	A1	7/2006 Willard
6,799,678	B2	10/2004 Sherman	2006/0208062	A1	9/2006 Osborn et al.
6,877,263	B2	4/2005 Clark	2006/0266665	A1	11/2006 Clarke
D509,654	S *	9/2005 Miller D3/247	2006/0272962	A1	12/2006 Chan
6,957,737	B1	10/2005 Frederickson et al.	2007/0045401	A1	3/2007 Sturm
D512,456	S	12/2005 Diaz et al.	2007/0063021	A1	3/2007 Chakiris et al.
7,011,249	B2	3/2006 Tang	2007/0063052	A1	3/2007 Chakiris et al.
7,024,807	B2	4/2006 Street	2007/0075132	A1	4/2007 Kean
7,040,049	B2	5/2006 Cox et al.	2007/0090184	A1	4/2007 Lockwood et al.
D523,742	S *	6/2006 Windsor et al. D9/415	2007/0094901	A1	5/2007 Kibbe et al.
D524,653	S	7/2006 Baumgarten	2007/0205134	A1	9/2007 Dwyre
D524,857	S	7/2006 Graves et al.	2007/0215694	A1	9/2007 Clegg
D524,858	S	7/2006 Graves et al.	2007/0246527	A1	10/2007 Tang
D524,859	S	7/2006 Graves et al.	2007/0251994	A1	11/2007 Kingsborough et al.
			2007/0252009	A1	11/2007 Kingsborough et al.

* cited by examiner

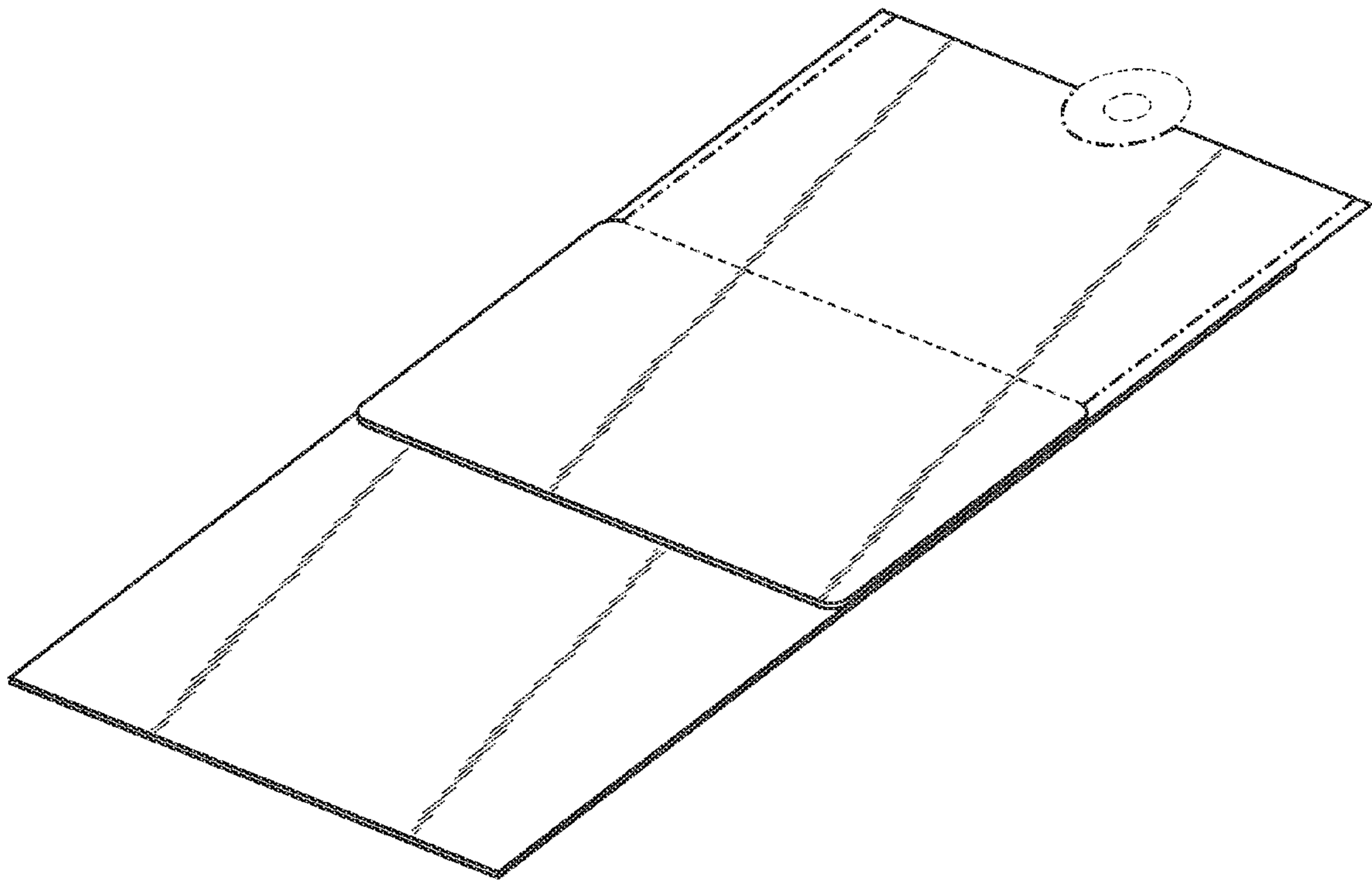


Fig. 1

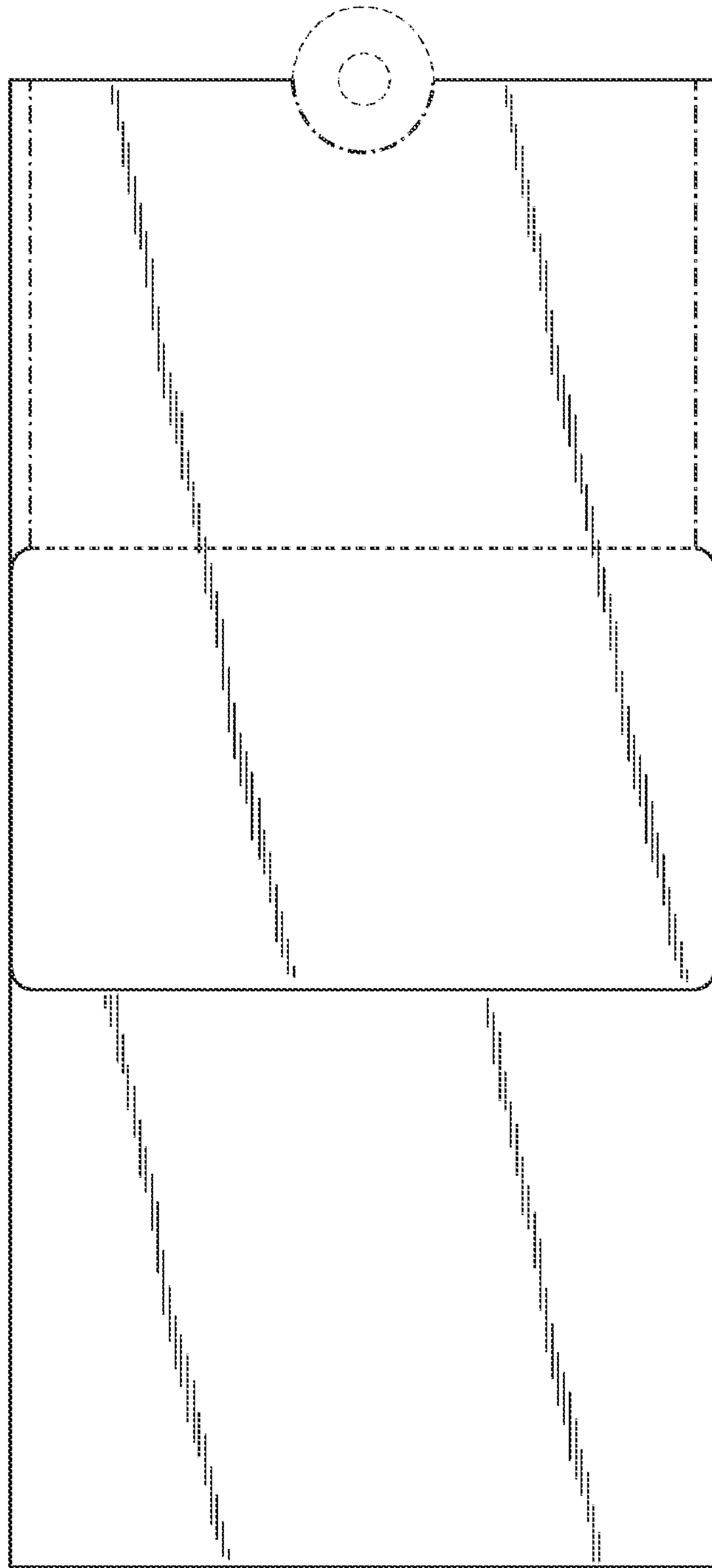


Fig. 2

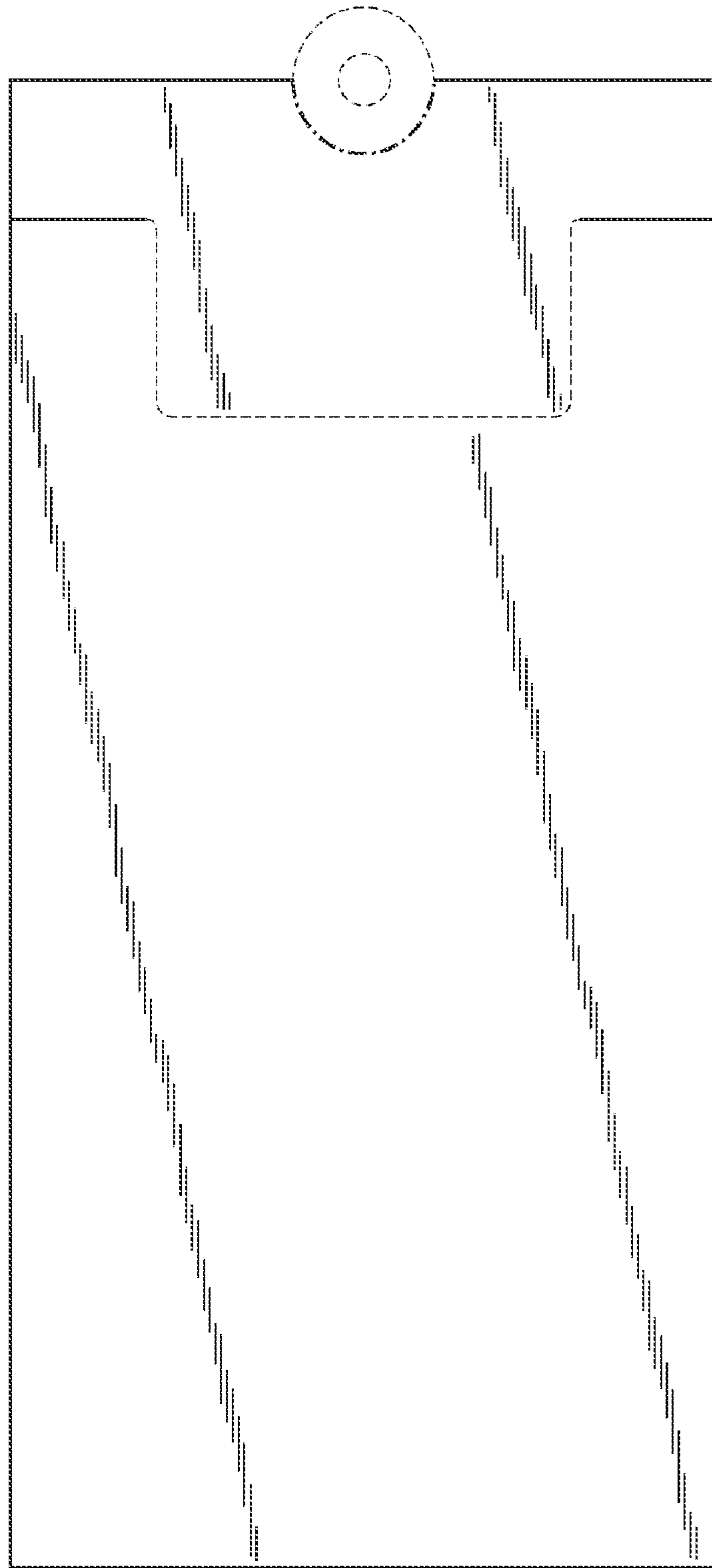


Fig. 3



Fig. 4



Fig. 5

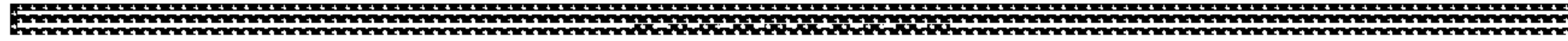


Fig. 6

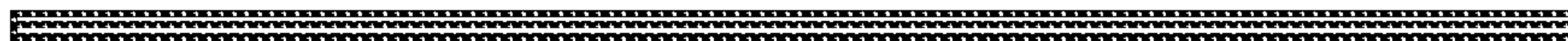


Fig. 7

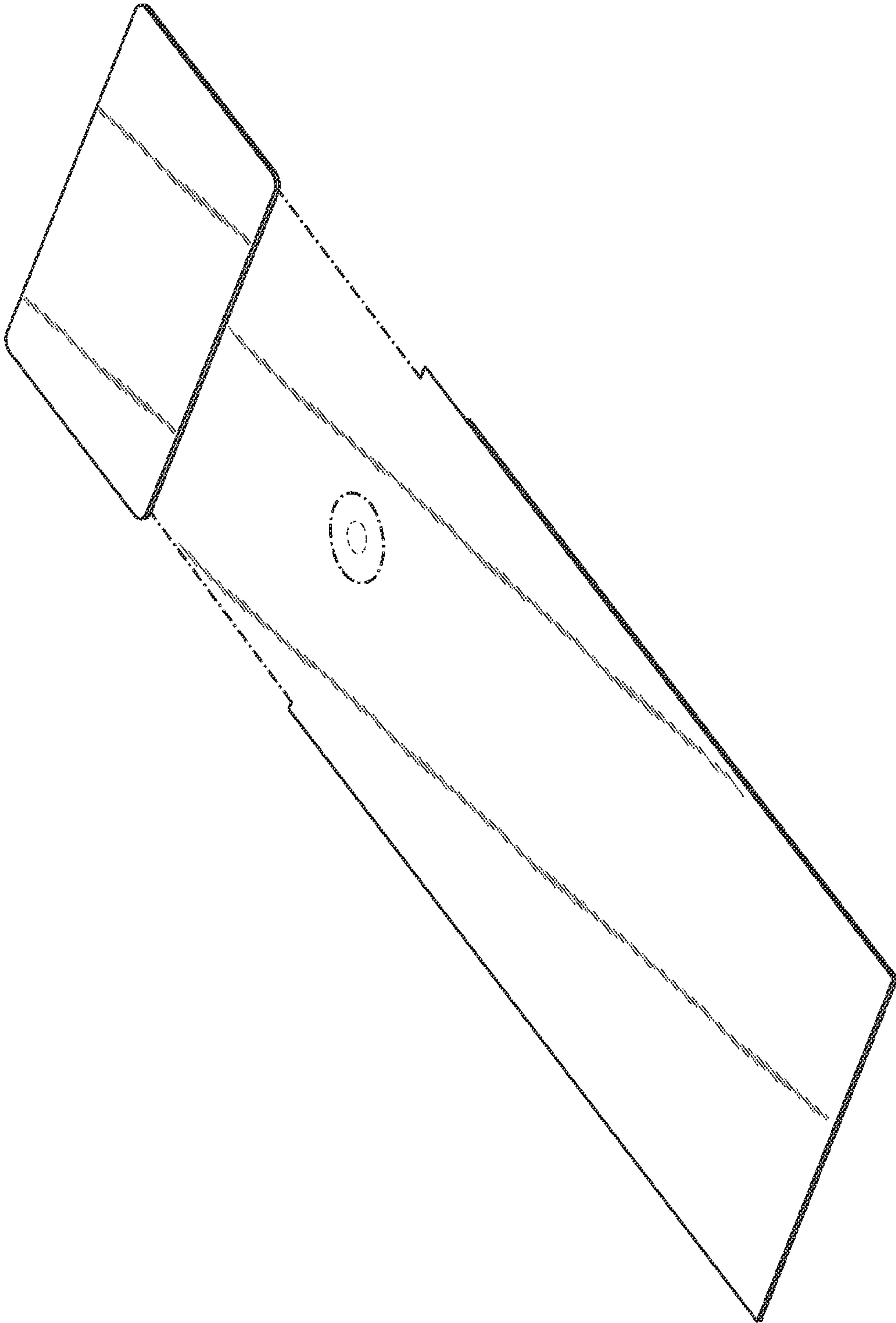


Fig. 8

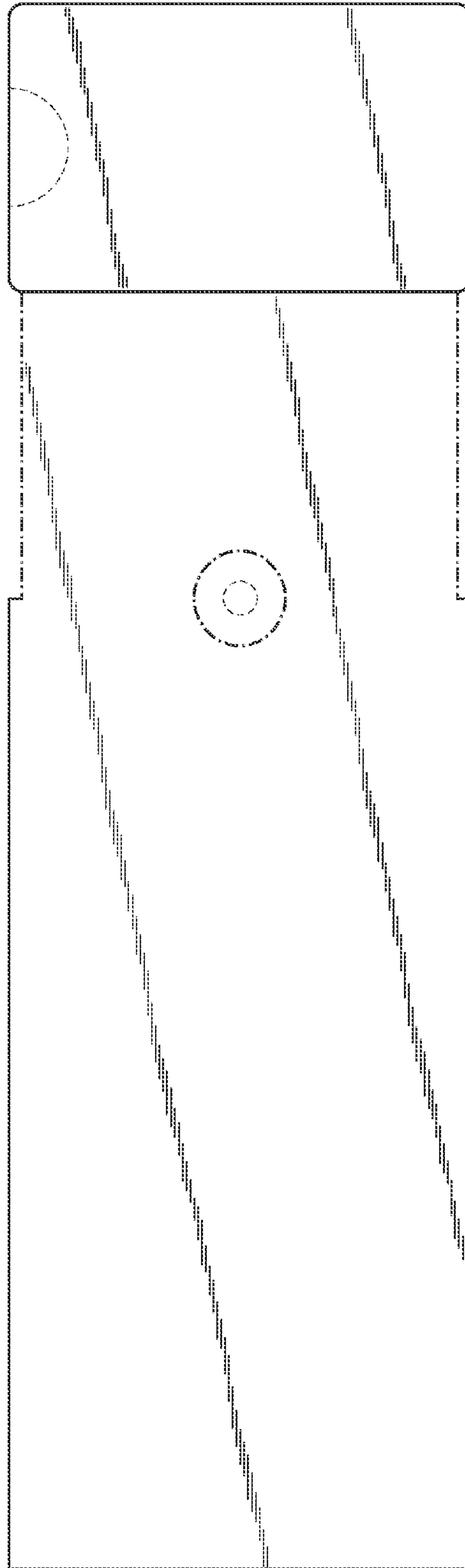


Fig. 9

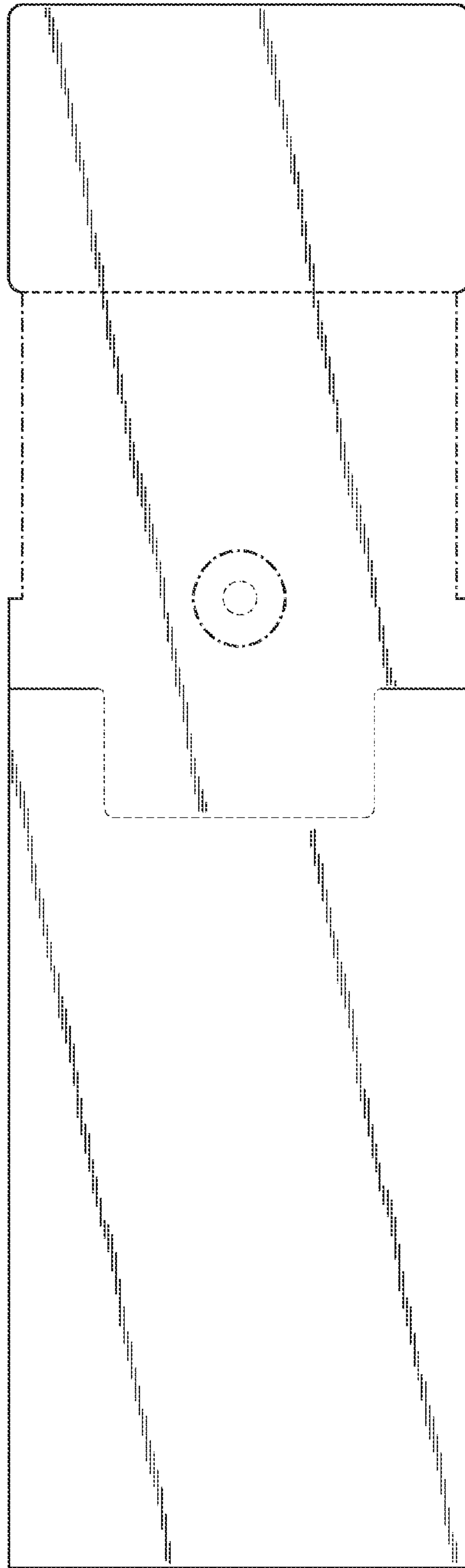


Fig. 10



Fig. 11



Fig. 12



Fig. 13



Fig. 14