



US00D622584S

(12) **United States Design Patent**
Byron et al.

(10) **Patent No.:** **US D622,584 S**

(45) **Date of Patent:** **** Aug. 31, 2010**

(54) **DECORATING CLIP**

(76) Inventors: **Patricia Byron**, P.O. Box 464, Ledyard, CT (US) 06339; **Lawrence Byron**, P.O. Box 464, Ledyard, CT (US) 06339

(**) Term: **14 Years**

(21) Appl. No.: **29/351,297**

(22) Filed: **Dec. 3, 2009**

(51) **LOC (9) Cl.** **08-08**

(52) **U.S. Cl.** **D8/395**

(58) **Field of Classification Search** D8/356,
D8/371, 395, 72; D19/65, 56; 24/67.3, DIG. 9;
D32/60-64; D6/326

See application file for complete search history.

(56) **References Cited**

U.S. PATENT DOCUMENTS

D55,524	S *	6/1920	Mueller	D8/395
2,465,700	A	3/1949	Tuttle		
2,585,089	A *	2/1952	Caldwell et al.	24/559
4,067,134	A *	1/1978	Billings	43/25.2
D249,927	S *	10/1978	Takahashi et al.	D8/395
4,923,234	A *	5/1990	Fairley	294/99.2
5,103,380	A	4/1992	Lindner et al.		
5,142,807	A *	9/1992	Sweet	43/4
5,323,674	A *	6/1994	Fidkowski	81/487
D361,032	S	8/1995	Dougan et al.		

D368,169	S *	3/1996	Coker	D6/326
5,542,636	A	8/1996	Mann et al.		
D429,023	S	8/2000	Hughes et al.		
D481,618	S	11/2003	Felsenthal		
6,883,768	B1	4/2005	Morin		
6,997,577	B1	2/2006	Pepito et al.		
7,213,307	B2 *	5/2007	Votel	24/545
D552,461	S	10/2007	Oas		
D552,978	S *	10/2007	Liao	D8/395
D600,544	S *	9/2009	Klaus et al.	D8/395

* cited by examiner

Primary Examiner—T. Chase Nelson
Assistant Examiner—John Windmuller
(74) *Attorney, Agent, or Firm*—Kyle Fletcher

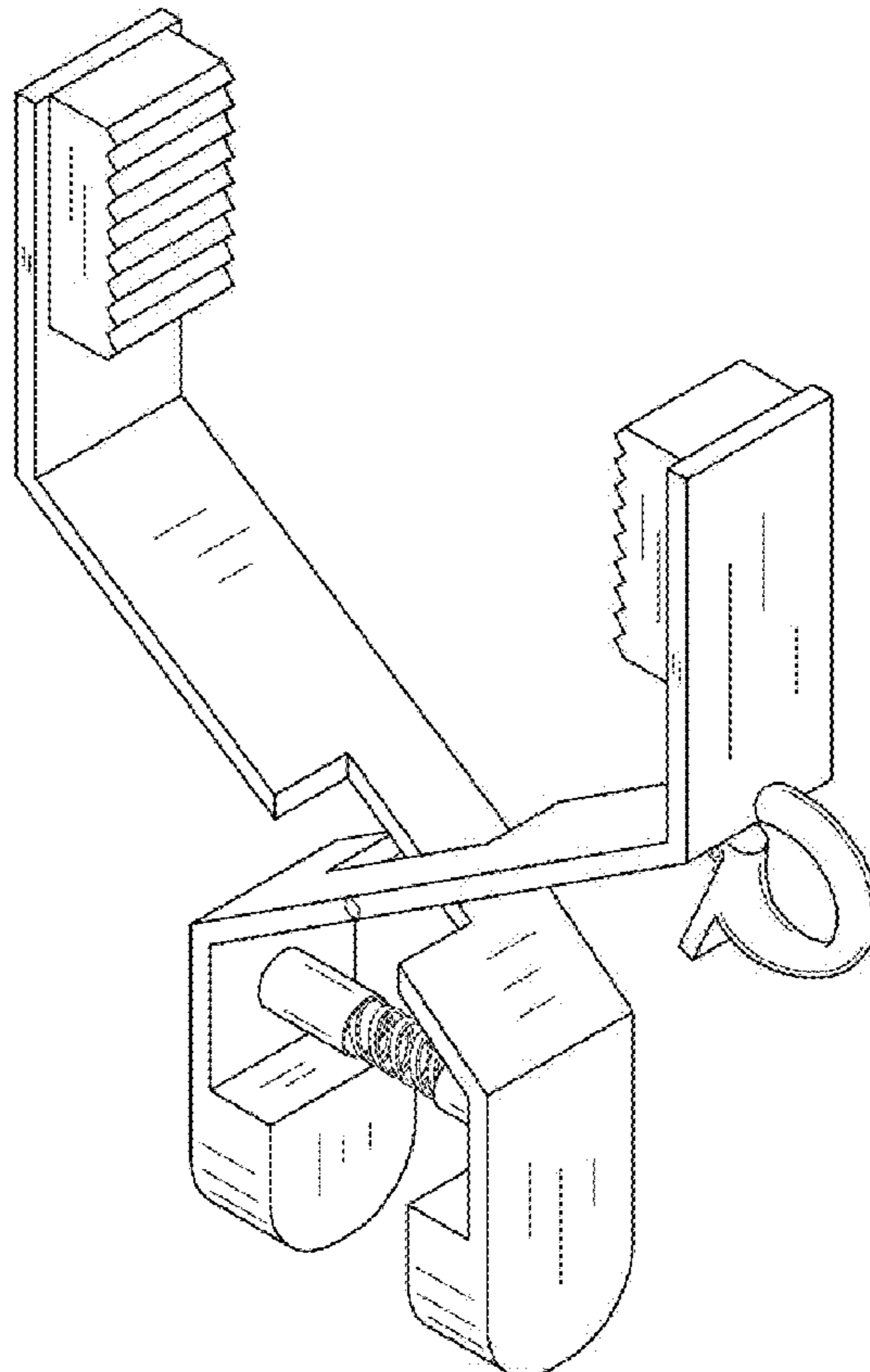
(57) **CLAIM**

The ornamental design for a decorating clip, as shown.

DESCRIPTION

FIG. 1 is a front view of the decorating clip.
FIG. 2 is a rear view of the claimed design.
FIG. 3 is a left view of the claimed design.
FIG. 4 is a right view of the claimed design.
FIG. 5 is a top view of the claimed design.
FIG. 6 is a bottom view of the claimed design; and,
FIG. 7 is an isometric view of the claimed design.

1 Claim, 5 Drawing Sheets



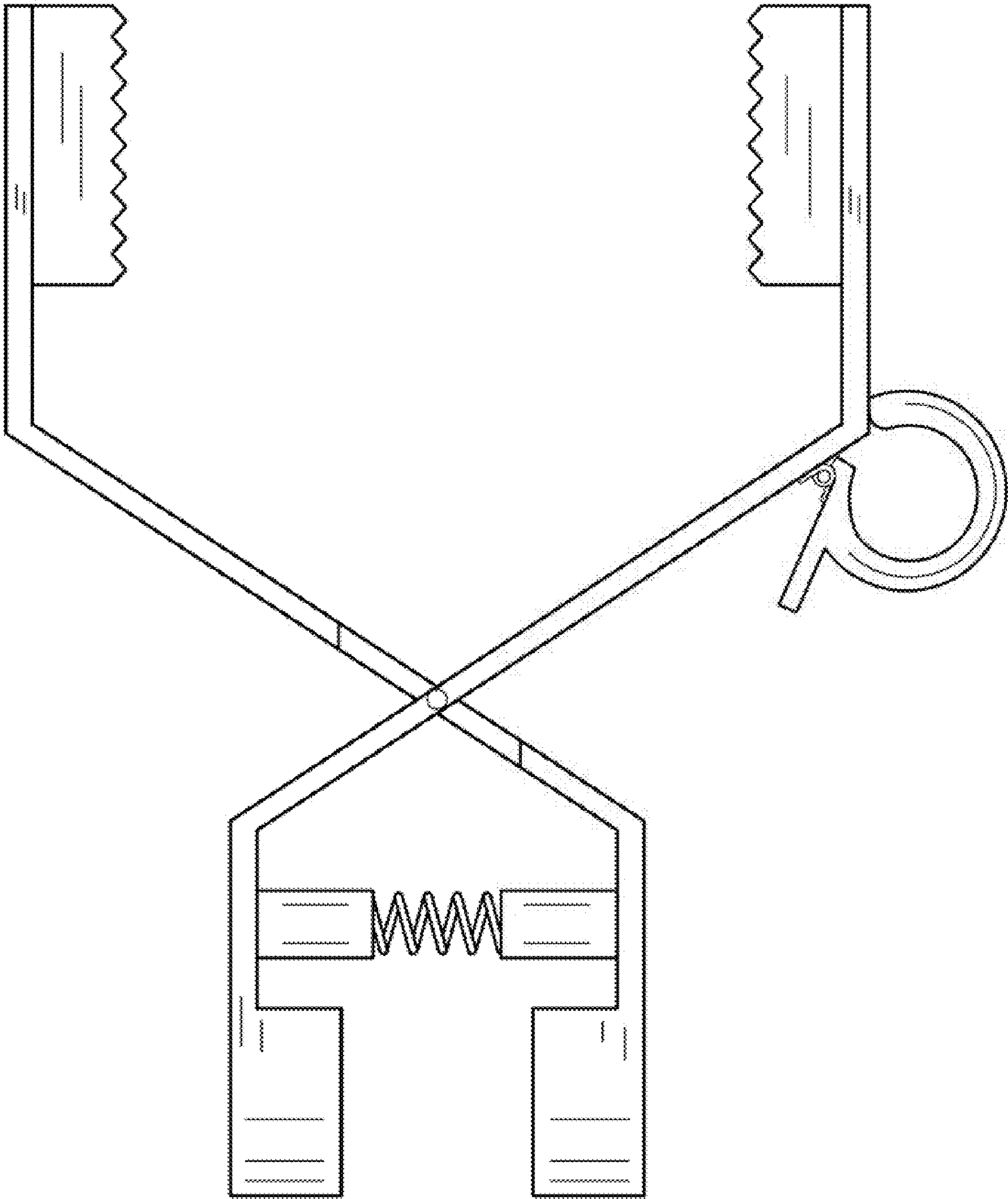


FIG. 1

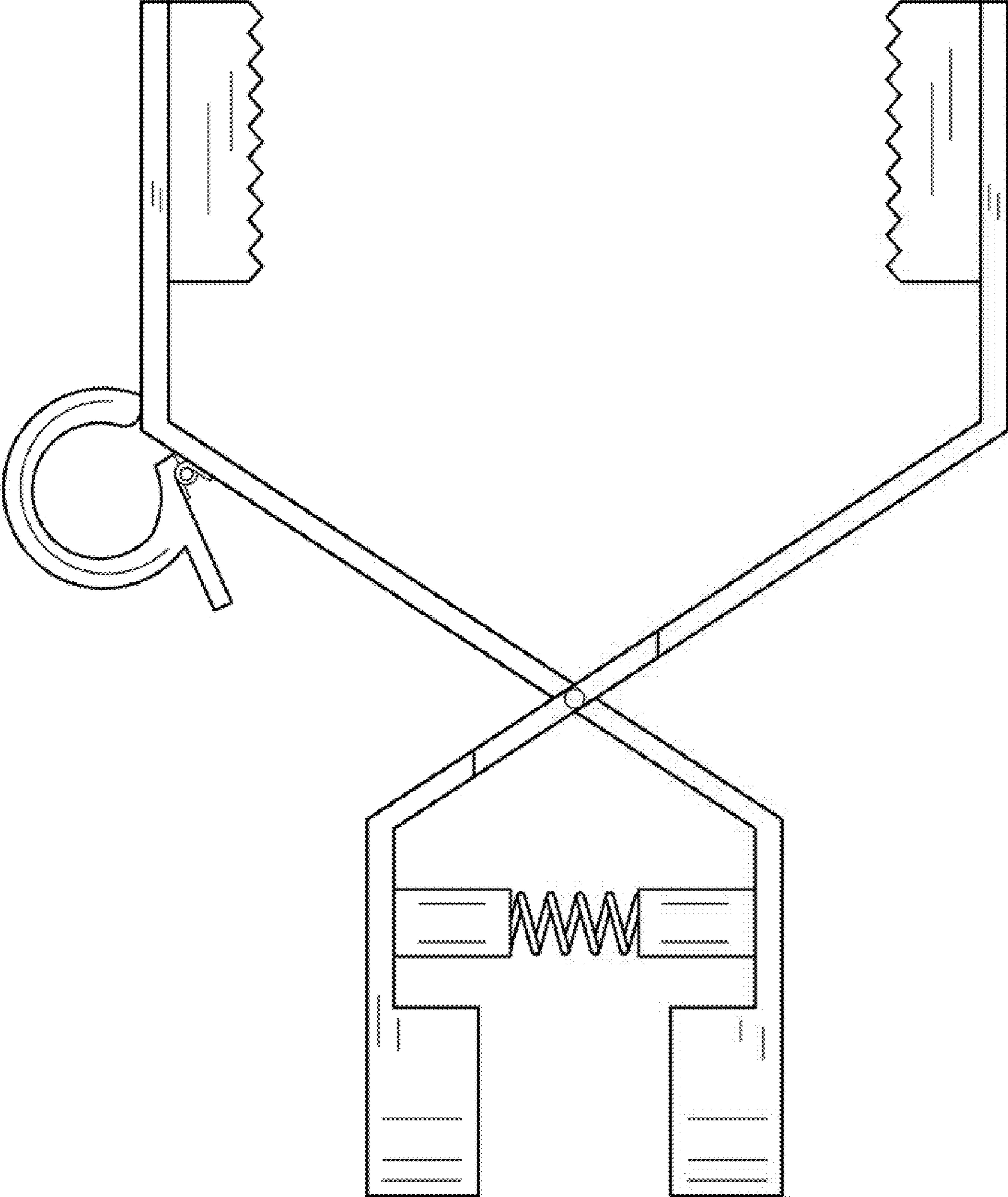


FIG. 2

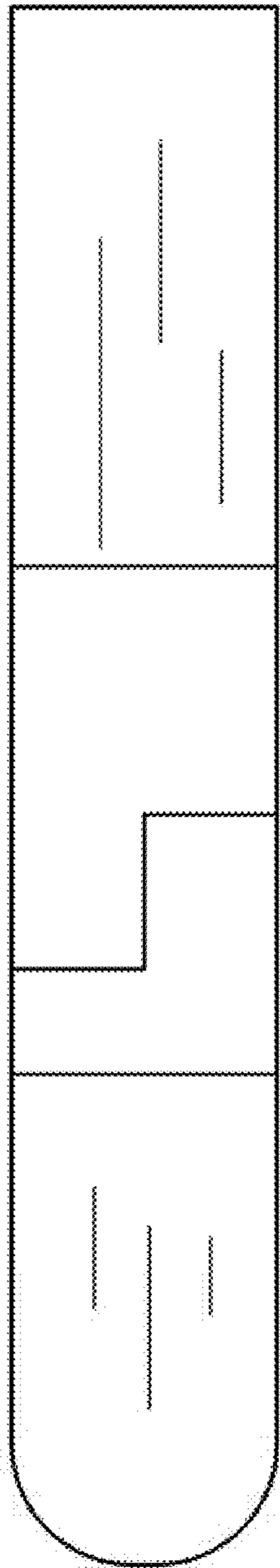


FIG. 3

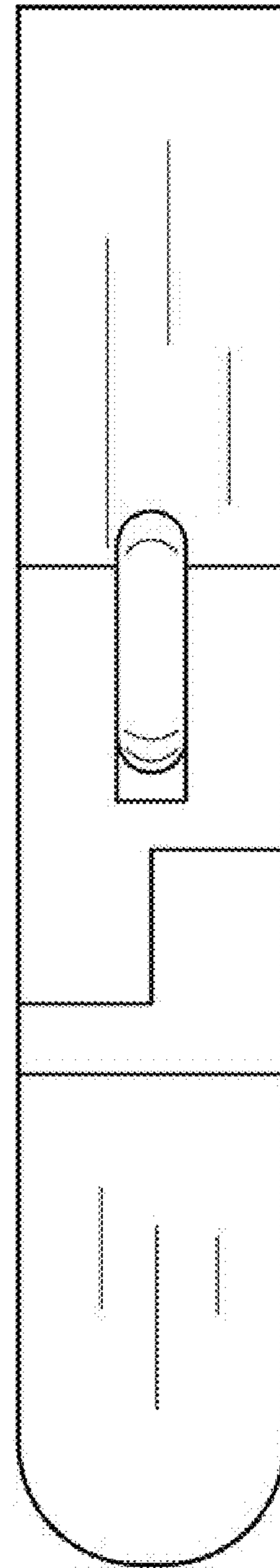


FIG. 4

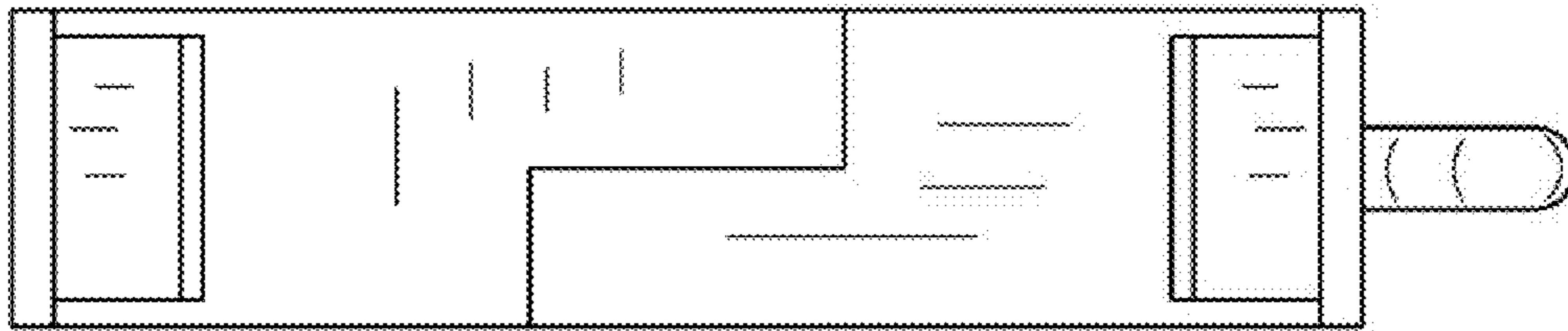


FIG. 5

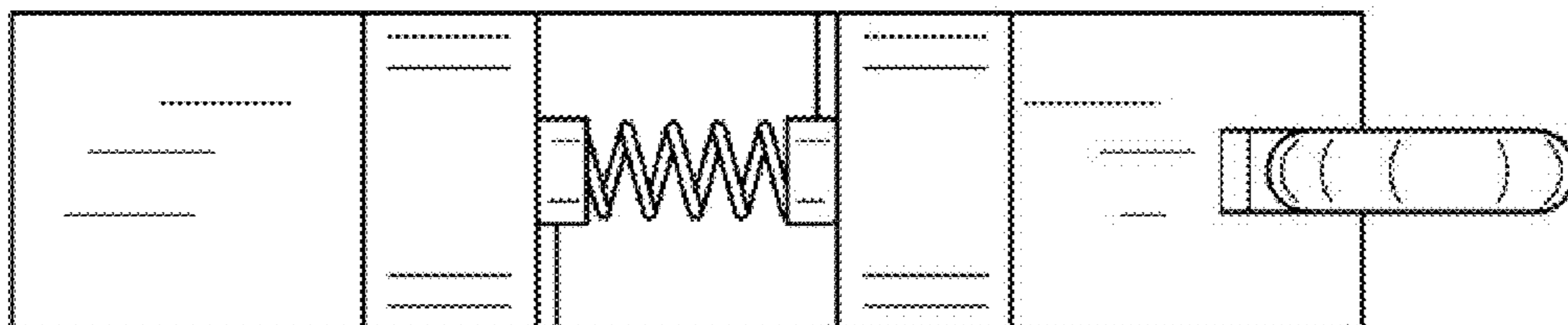


FIG. 6

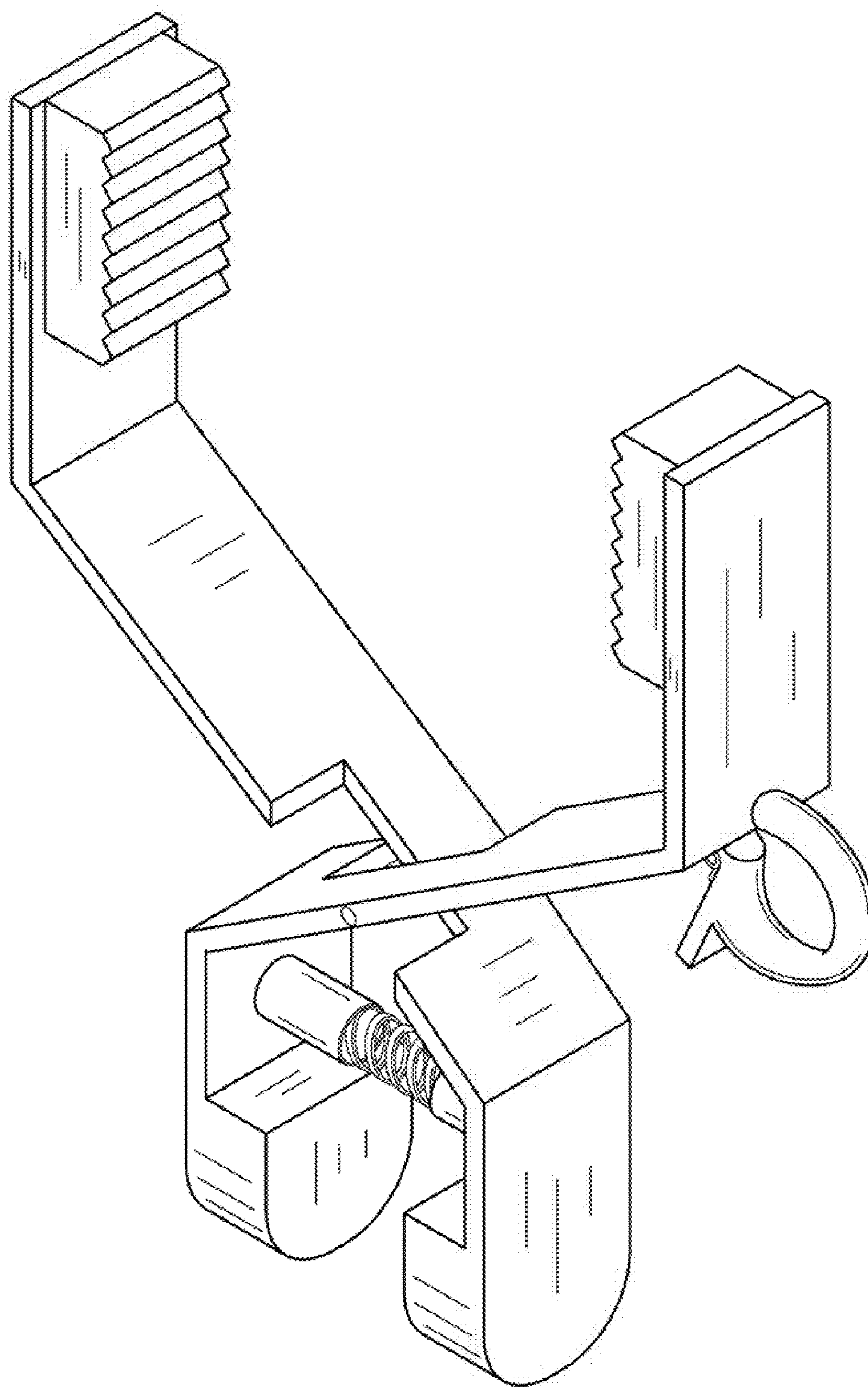


FIG. 7