

US00D622582S

(12) **United States Design Patent**  
**Lottner et al.**

(10) **Patent No.:** **US D622,582 S**

(45) **Date of Patent:** **\*\* Aug. 31, 2010**

(54) **COMBINED SCREW, SPIKE AND BOLT**

D531,888 S \* 11/2006 Barnes ..... D8/382

(75) Inventors: **Simon Lottner**, Illschwang (DE);  
**Frankbert Klarner**, Wernberg (DE)

\* cited by examiner

*Primary Examiner*—Holly H Baynham

*Assistant Examiner*—Sheryl Lane

(73) Assignee: **Kerb-Konus-Vertriebs-GmbH**,  
Arnsberg (DE)

(74) *Attorney, Agent, or Firm*—Lewis B. Sternfels

(\*\*) Term: **14 Years**

(57) **CLAIM**

(21) Appl. No.: **29/347,121**

The ornamental design for a combined screw, spike and bolt,  
as shown, and described.

(22) Filed: **Sep. 25, 2009**

**DESCRIPTION**

**Related U.S. Application Data**

(63) Continuation of application No. 29/309,604, filed on  
Sep. 9, 2008, now abandoned.

FIG. 1 is a photograph showing a perspective view of a  
combined screw, spike and bolt according to the invention;

FIG. 2 is a photograph showing a side view of a combined  
screw, spike and bolt according to the invention;

(51) **LOC (9) Cl.** ..... **08-08**

(52) **U.S. Cl.** ..... **D8/387**

(58) **Field of Classification Search** ..... D8/387,  
D8/388, 391, 393; 411/402, 403, 405, 382,  
411/481, 387.1, 388, 378, 393, 411  
See application file for complete search history.

FIG. 3 is a photograph showing a bottom side perspective  
view of a combined screw, spike and bolt according to the  
invention;

FIG. 4 is a photograph showing a bottom side perspective  
view of a combined screw, spike and bolt according to the  
invention;

(56) **References Cited**

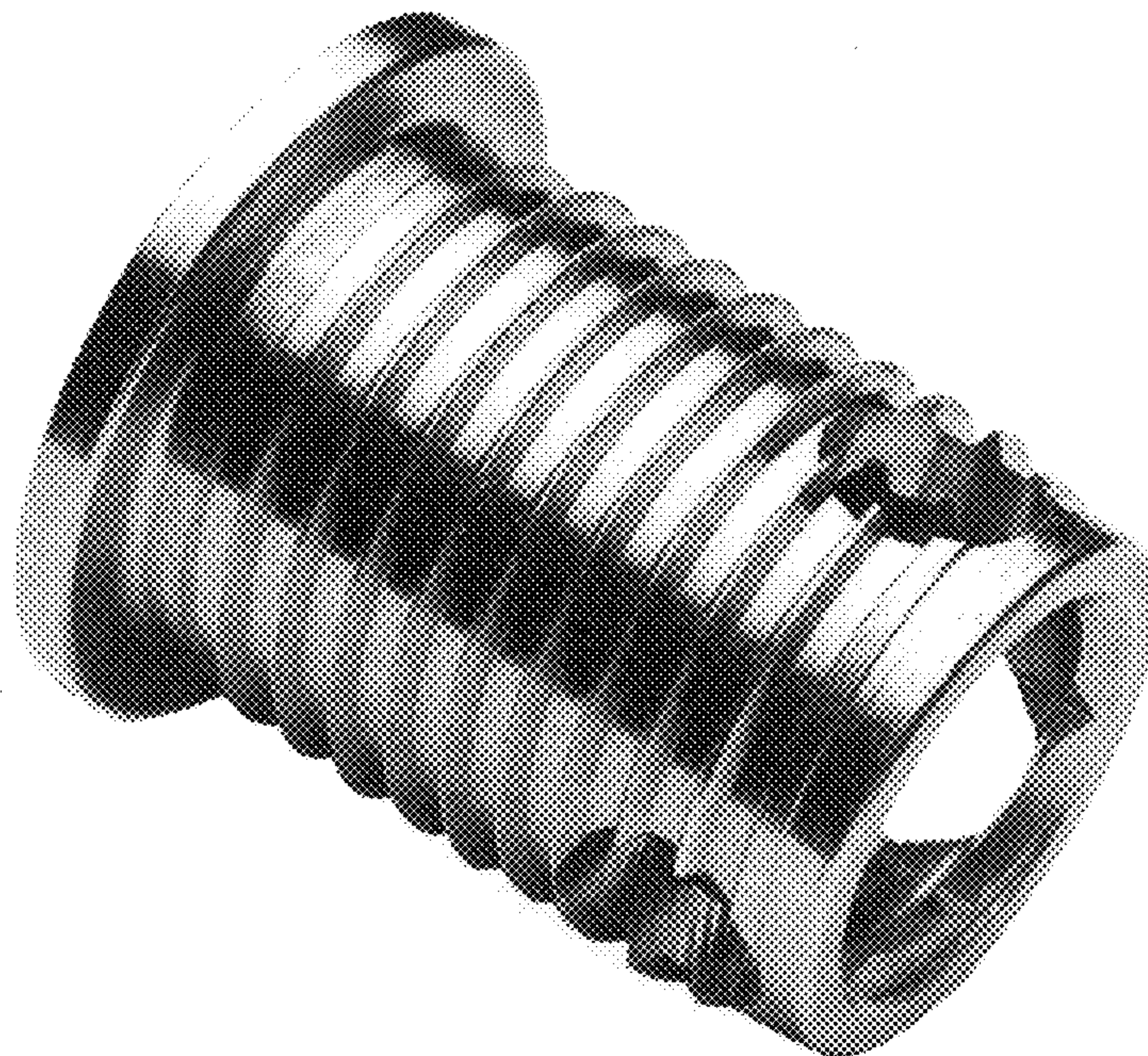
**U.S. PATENT DOCUMENTS**

6,609,867 B2 \* 8/2003 Wakabayashi ..... 411/238

FIG. 5 is a photograph showing a top side perspective view of  
a combined screw, spike and bolt according to the invention;  
and,

FIG. 6 is a photograph showing a top view of a combined  
screw, spike and bolt according to the invention.

**1 Claim, 3 Drawing Sheets**





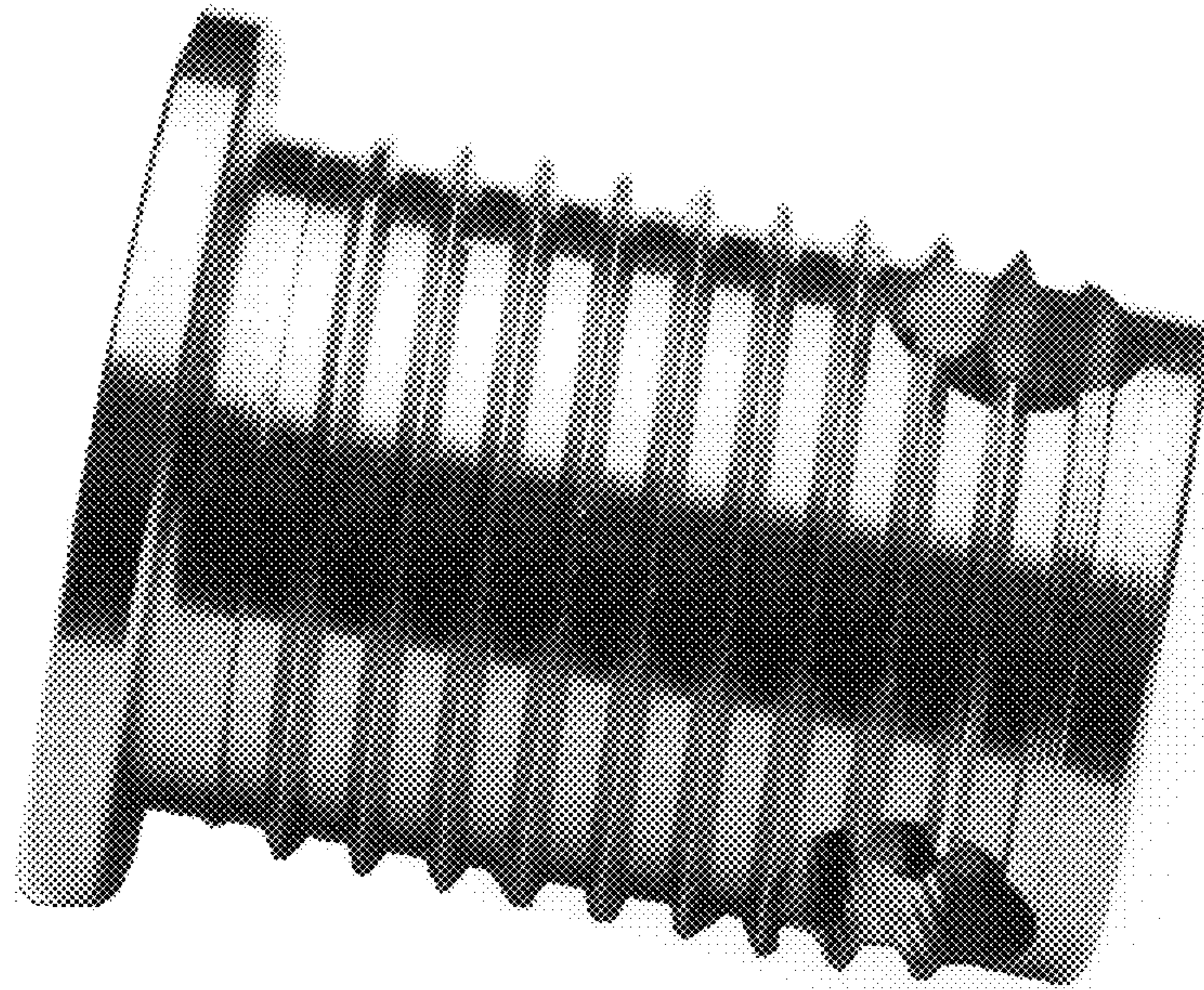


FIG. 1

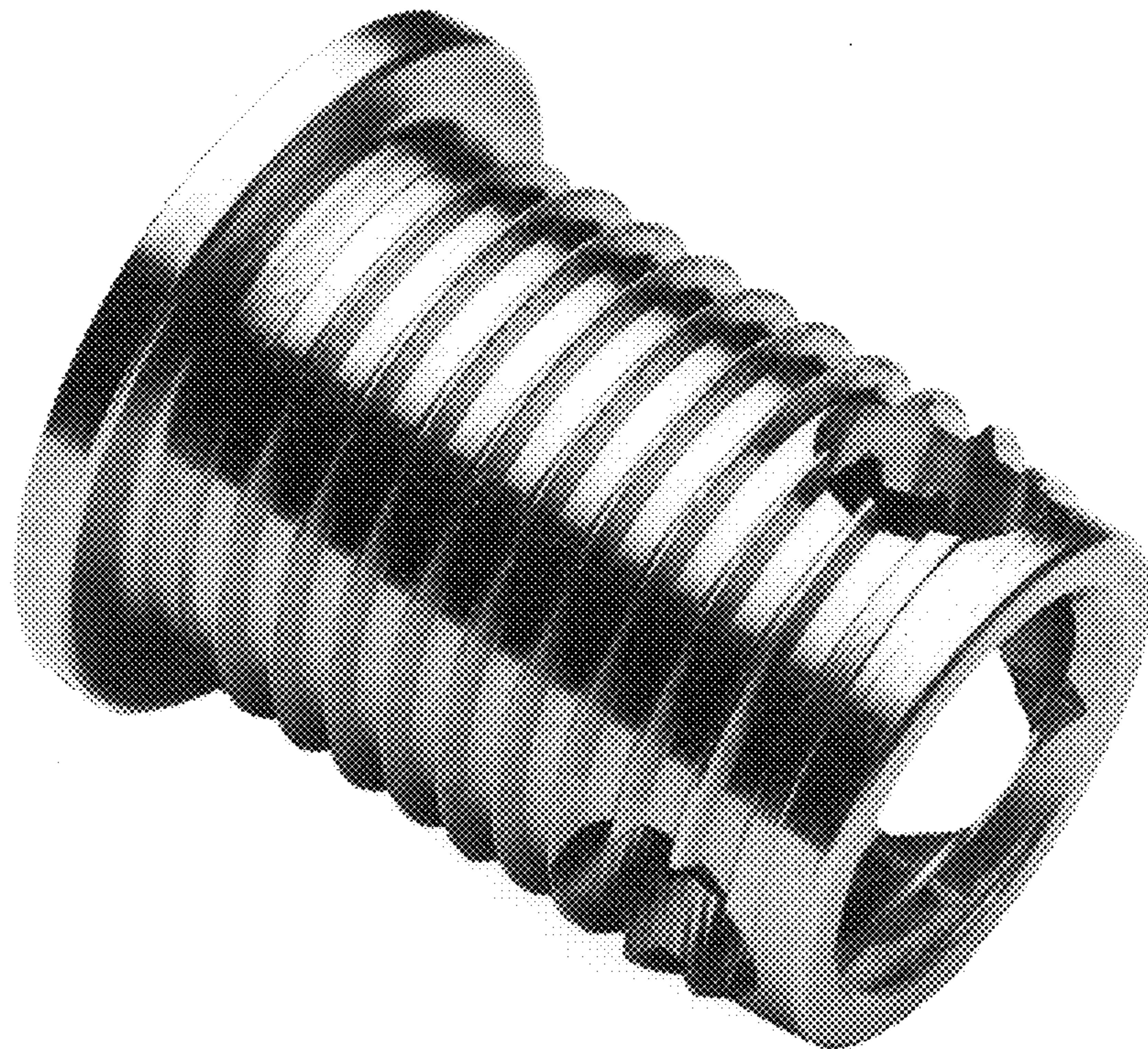


FIG. 2



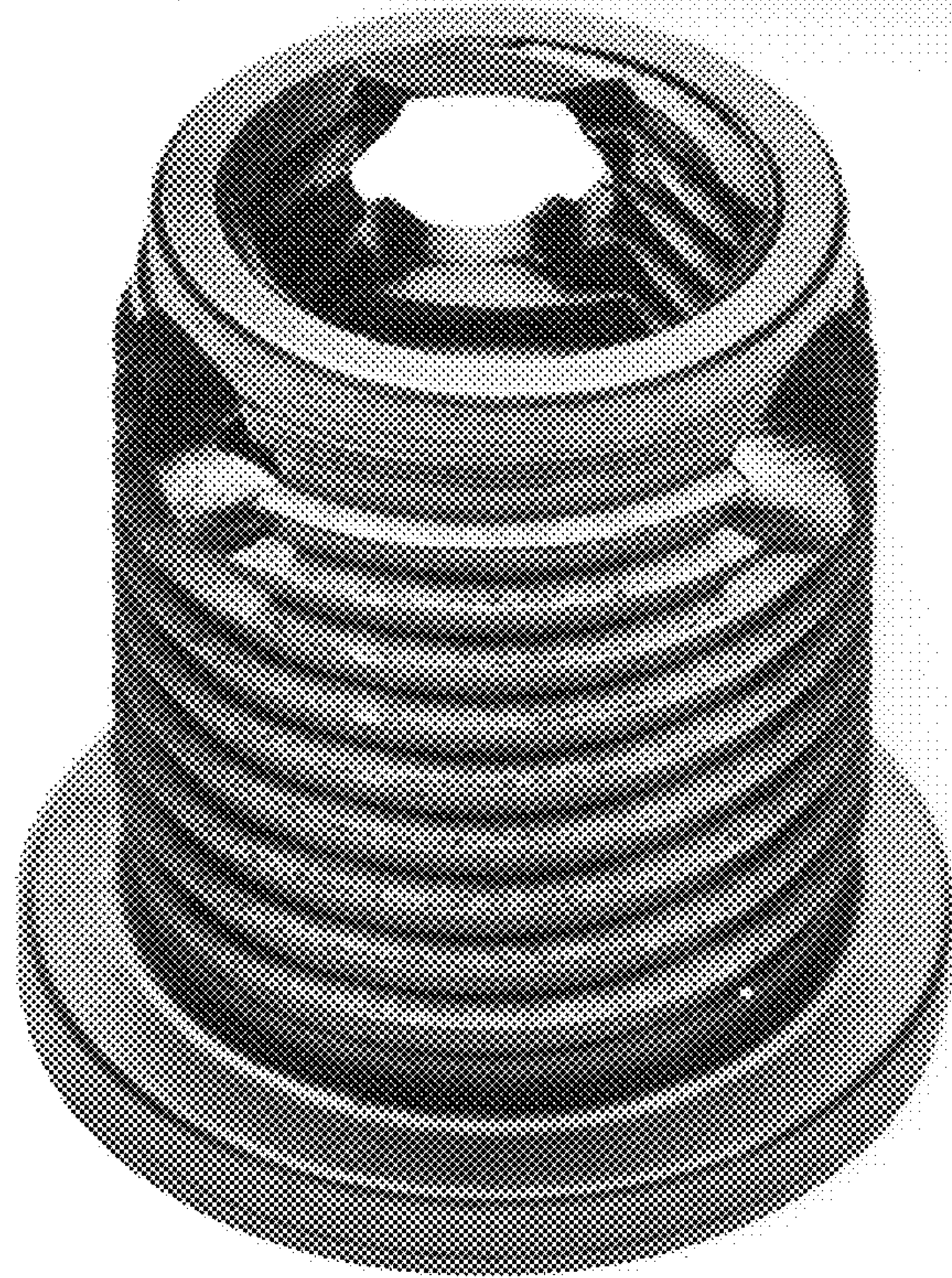


FIG. 3

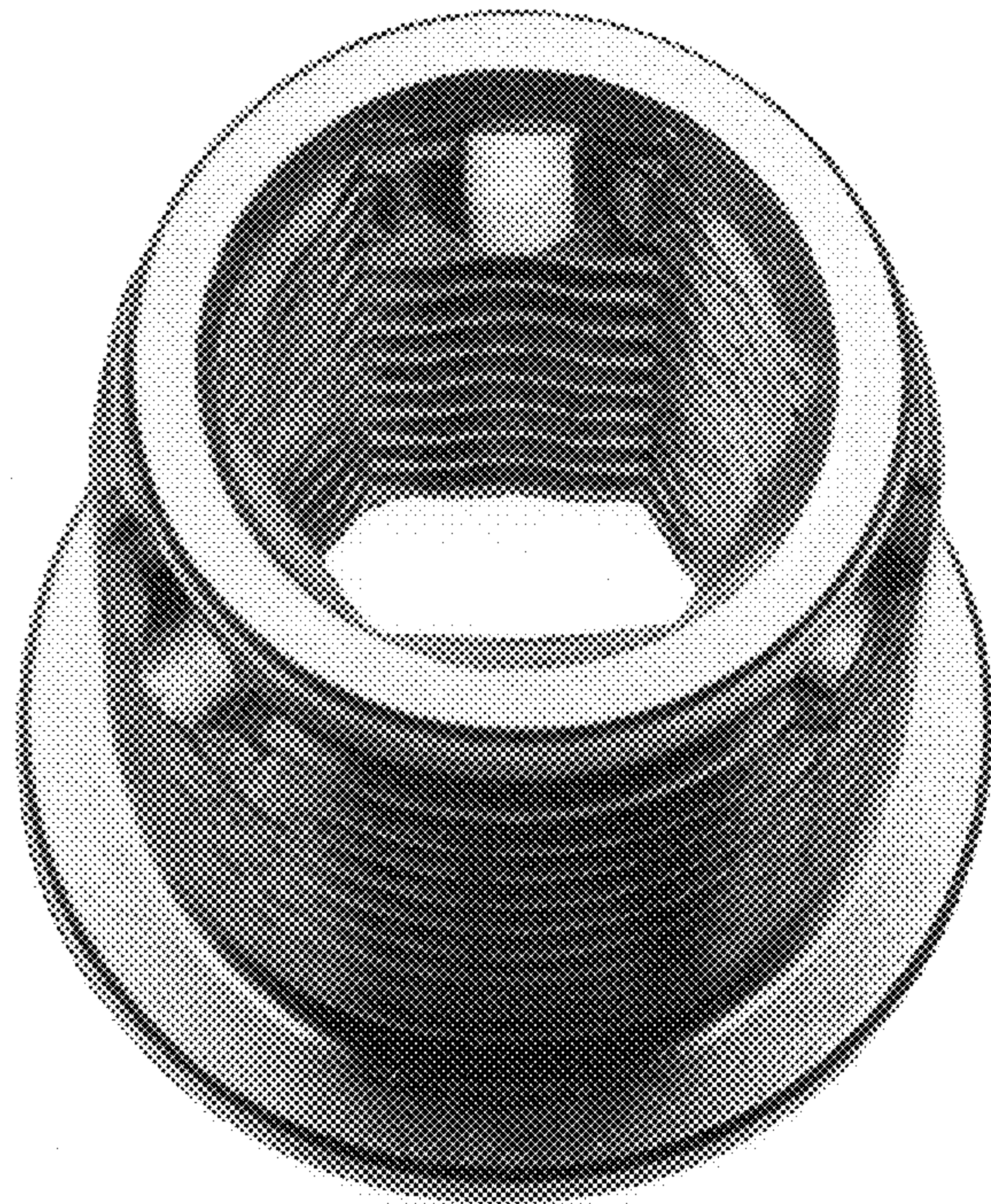


FIG. 4



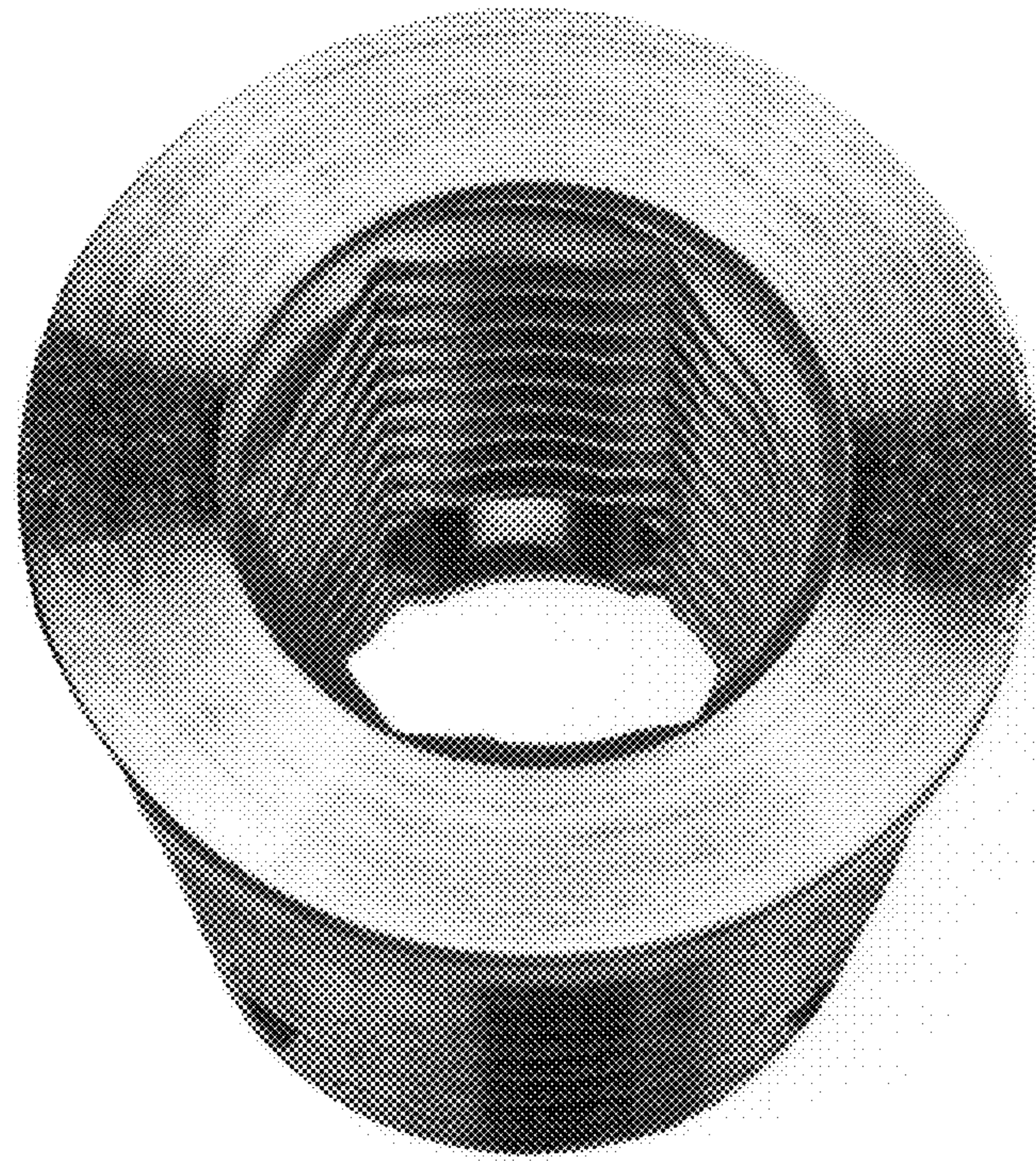


FIG. 5

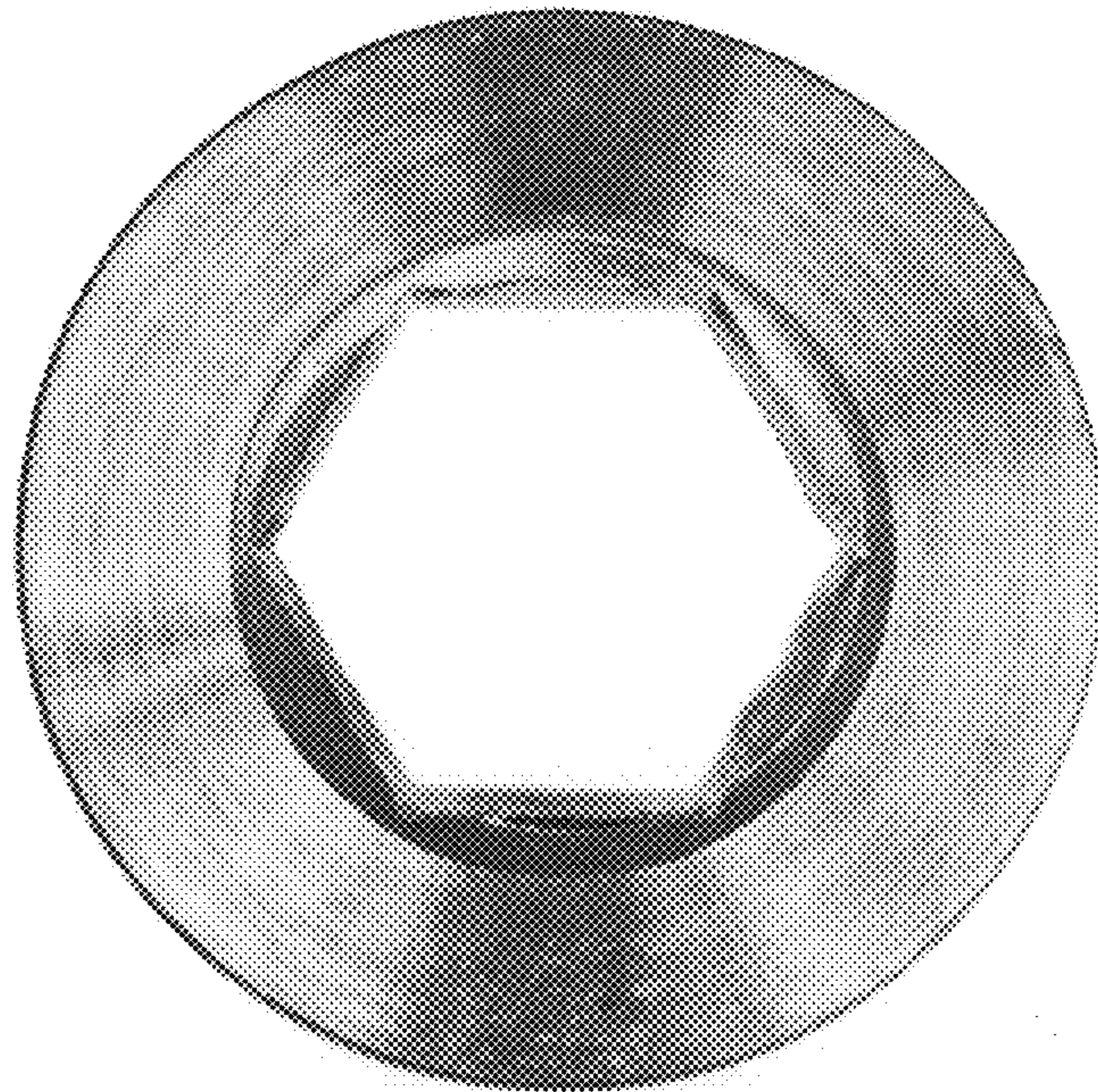


FIG. 6