

US00D622581S

(12) **United States Design Patent**
Caggiano

(10) **Patent No.:** **US D622,581 S**

(45) **Date of Patent:** **** Aug. 31, 2010**

(54) **PIN FOR RETAINING WALL SYSTEM**

(76) Inventor: **Luciano Caggiano**, 1260 Bloomfield Ave., Bearfield, NJ (US) 07004

(**) Term: **14 Years**

(21) Appl. No.: **29/316,532**

(22) Filed: **Oct. 6, 2009**

(51) **LOC (9) Cl.** **08-08**

(52) **U.S. Cl.** **D8/382**

(58) **Field of Classification Search** D8/382,
D8/356, 392; 405/262, 280; 403/292, 295;
52/562, 585, 426; 249/196, 219.1, 40, 45,
249/47

See application file for complete search history.

(56) **References Cited**

U.S. PATENT DOCUMENTS

3,153,283	A *	10/1964	Weissman	433/176
4,745,720	A	5/1988	Taylor	52/405.1
D337,721	S *	7/1993	Hodel	D8/382
5,246,323	A *	9/1993	Vernet et al.	411/29
5,252,017	A	10/1993	Hodel	411/446
5,505,034	A	4/1996	Dueck	52/604
5,642,968	A	7/1997	Anderson	405/286
5,735,643	A	4/1998	Castonguay et al.	405/286
5,802,795	A *	9/1998	Myers et al.	52/426
5,865,006	A	2/1999	Dawson	52/604
5,984,589	A *	11/1999	Ciccarello	405/284
D456,700	S *	5/2002	Miller et al.	D8/382

6,431,798	B1	8/2002	Magliocco	405/286
6,543,969	B1	4/2003	Adam	405/284
6,615,561	B2	9/2003	MacDonald	52/606
6,622,445	B1	9/2003	Shillingburg	52/606
6,695,544	B2	2/2004	Knudson et al.	405/284
6,912,823	B2	7/2005	MacDonald	52/574
7,328,537	B2	2/2008	Hammer	52/604
D583,224	S *	12/2008	Holdsworth	D8/382
2009/0090077	A1	4/2009	Rodebaugh et al.	52/293.2

* cited by examiner

Primary Examiner—Holly H Baynham

Assistant Examiner—Sheryl Lane

(74) *Attorney, Agent, or Firm*—Law Offices of J. D. Geraigery; Janine D. Geraigery

(57) **CLAIM**

The ornamental design for a pin for retaining wall system, as shown and described.

DESCRIPTION

FIG. 1 is a perspective view of the pin for retaining wall system;

FIG. 2 is an bottom perspective view thereof;

FIG. 3 is a top view thereof;

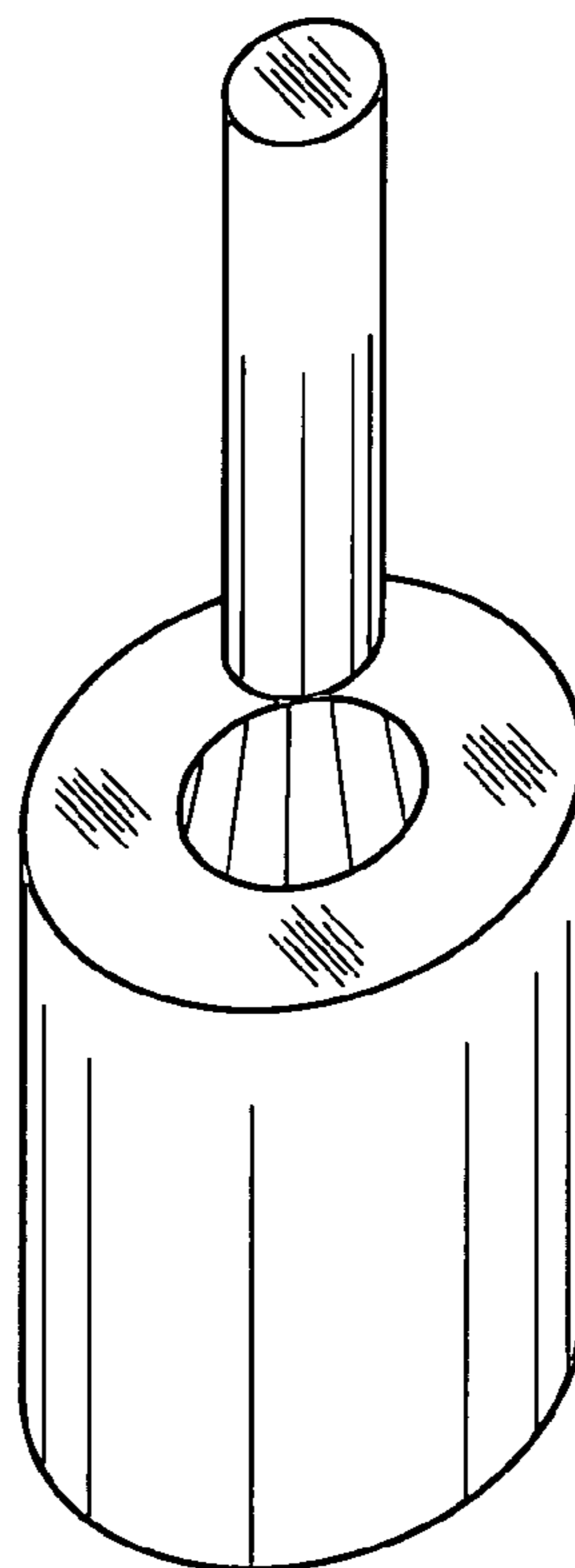
FIG. 4 is a bottom view thereof;

FIG. 5 is a front view thereof;

FIG. 6 is a left side view thereof; and,

FIG. 7 is a right side view thereof.

1 Claim, 1 Drawing Sheet



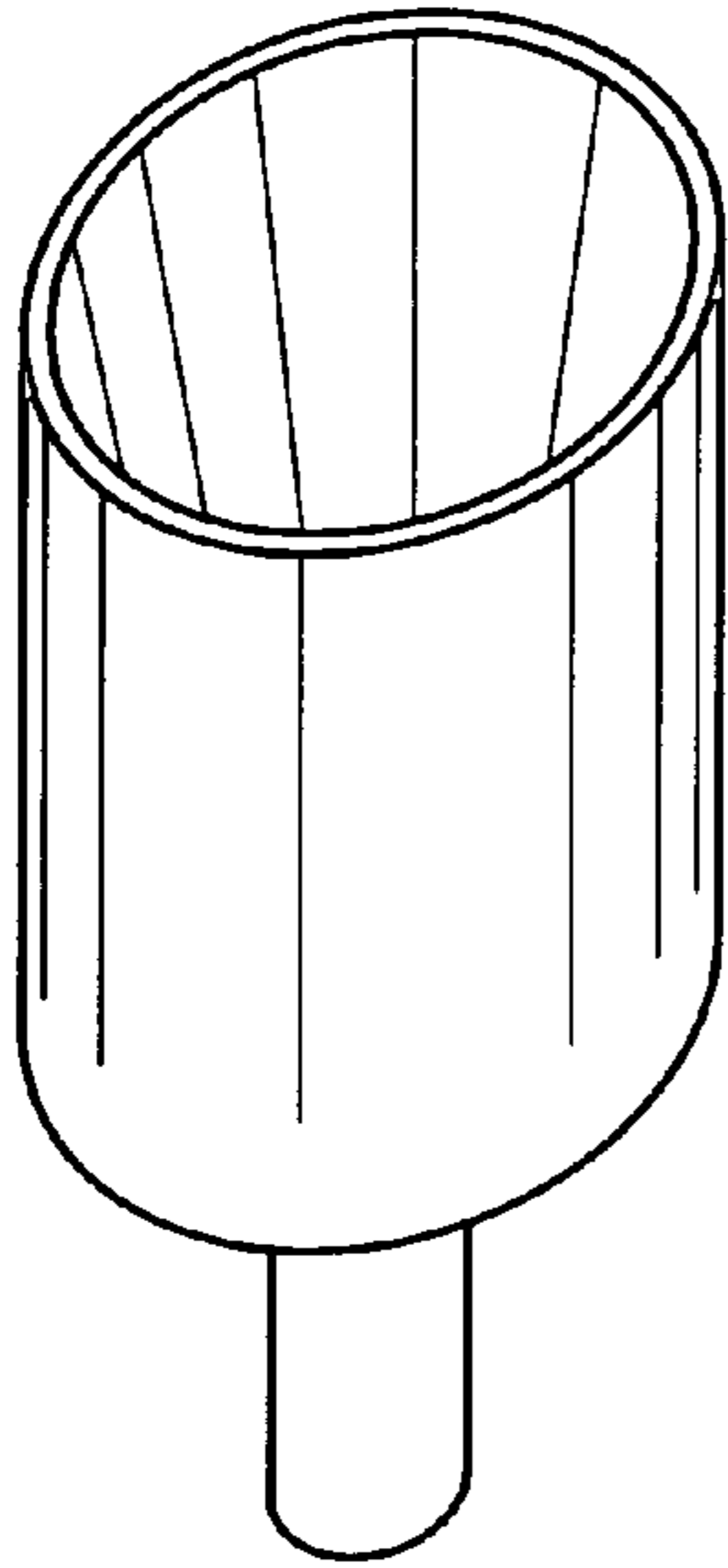


FIG. 1

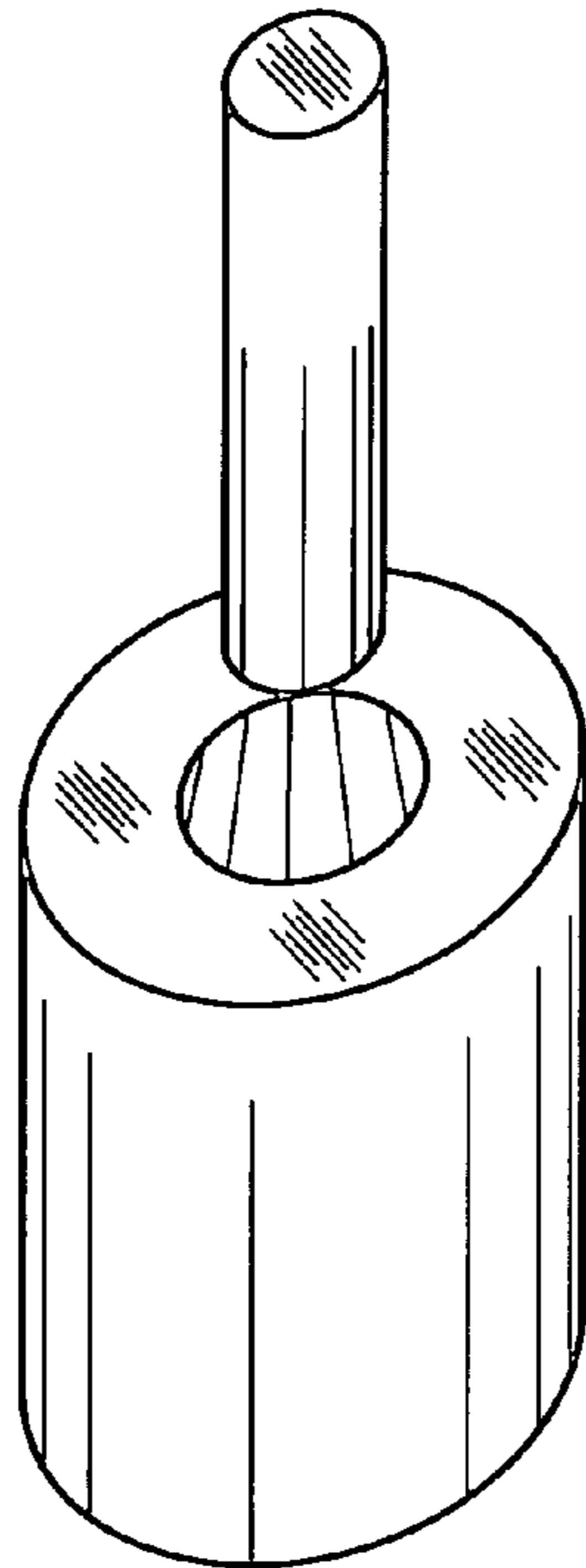


FIG. 2

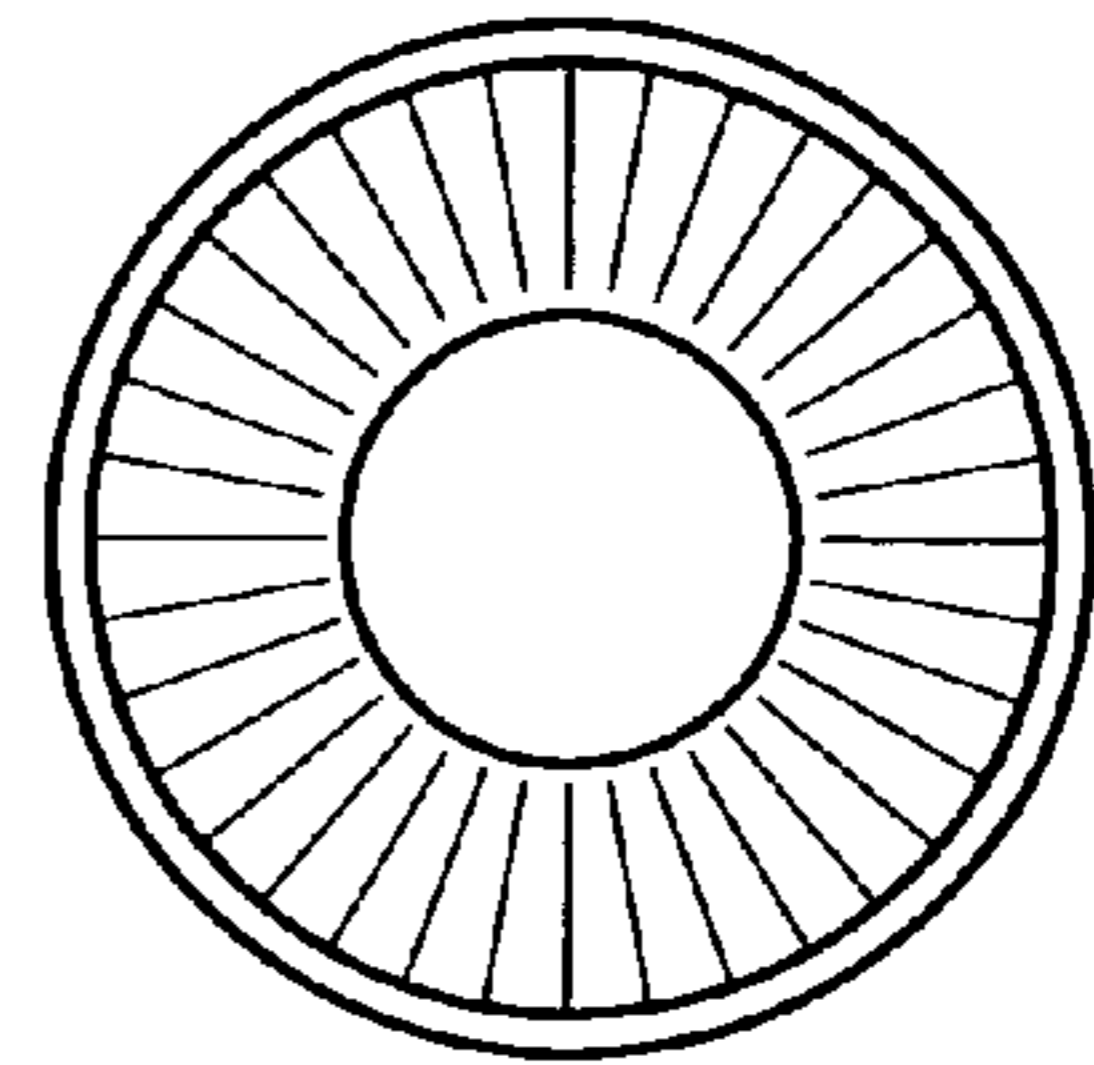


FIG. 3

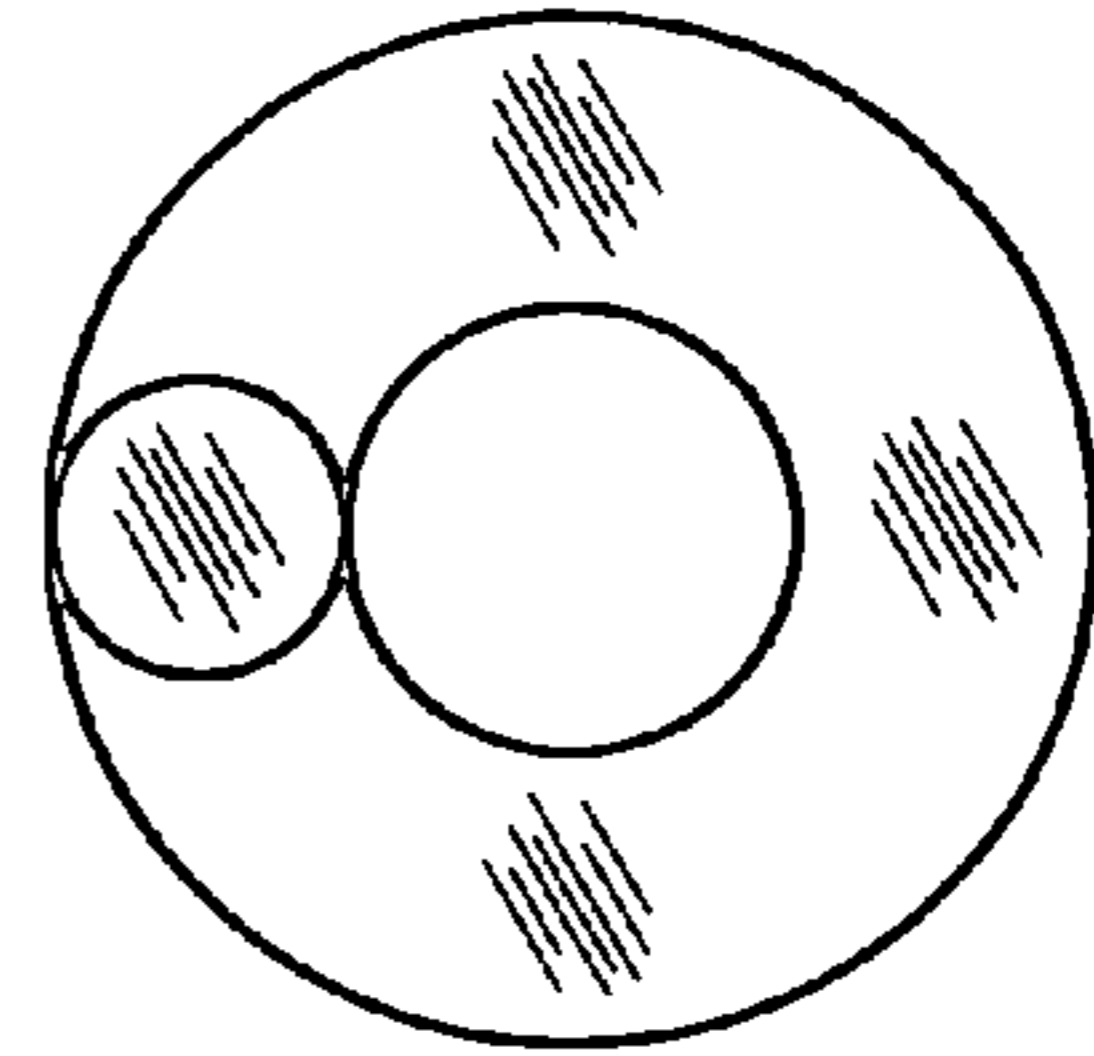


FIG. 4

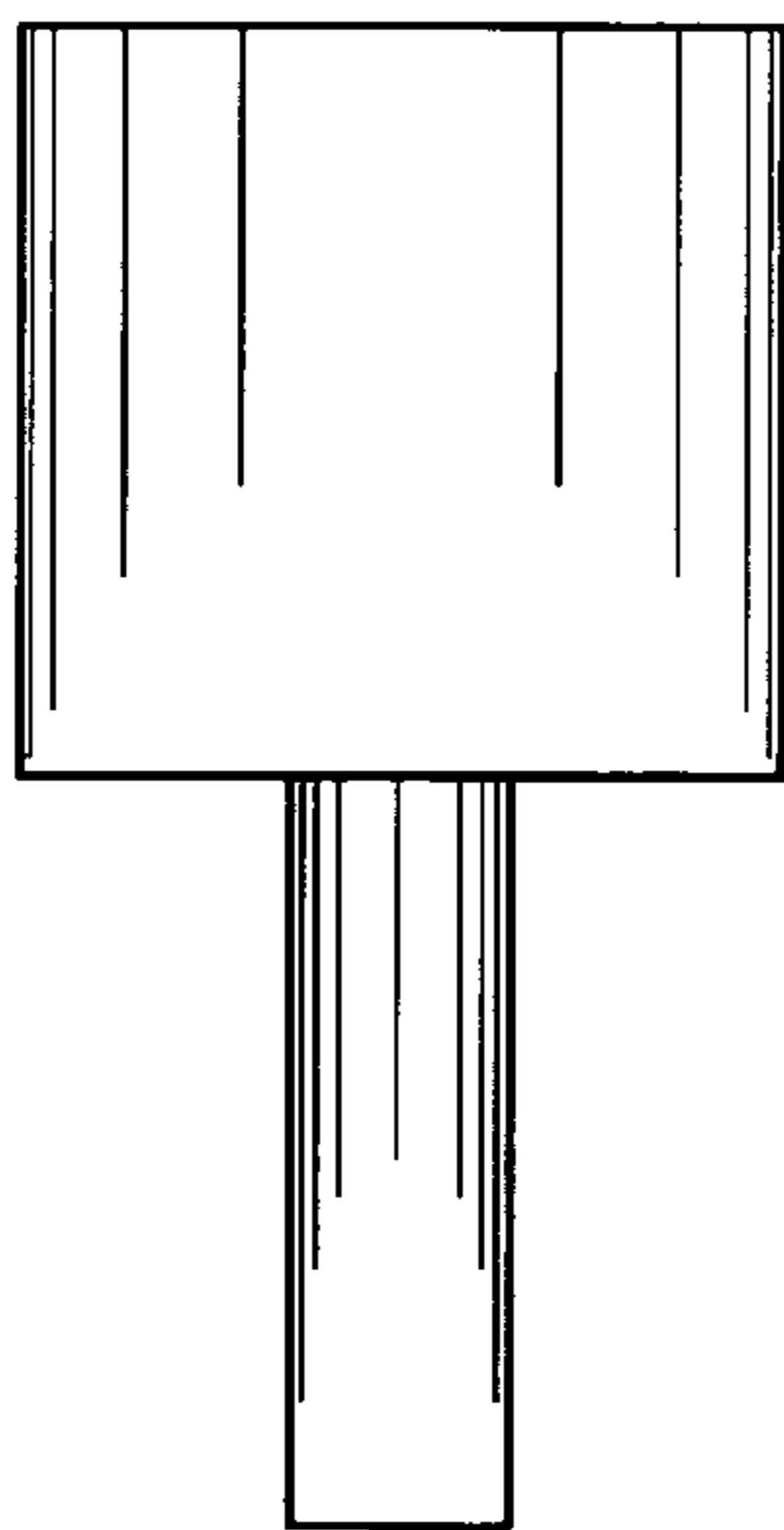


FIG. 5

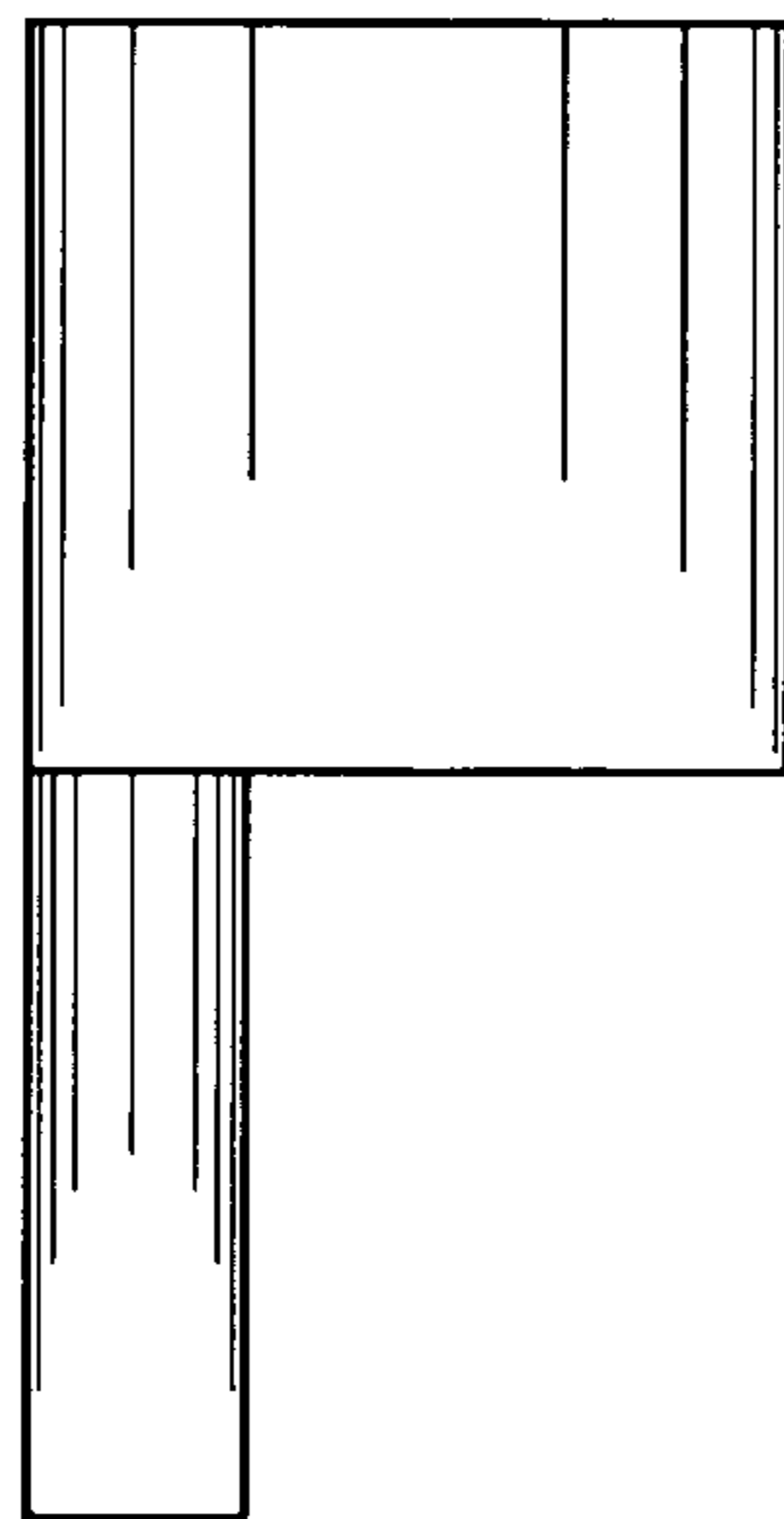


FIG. 6

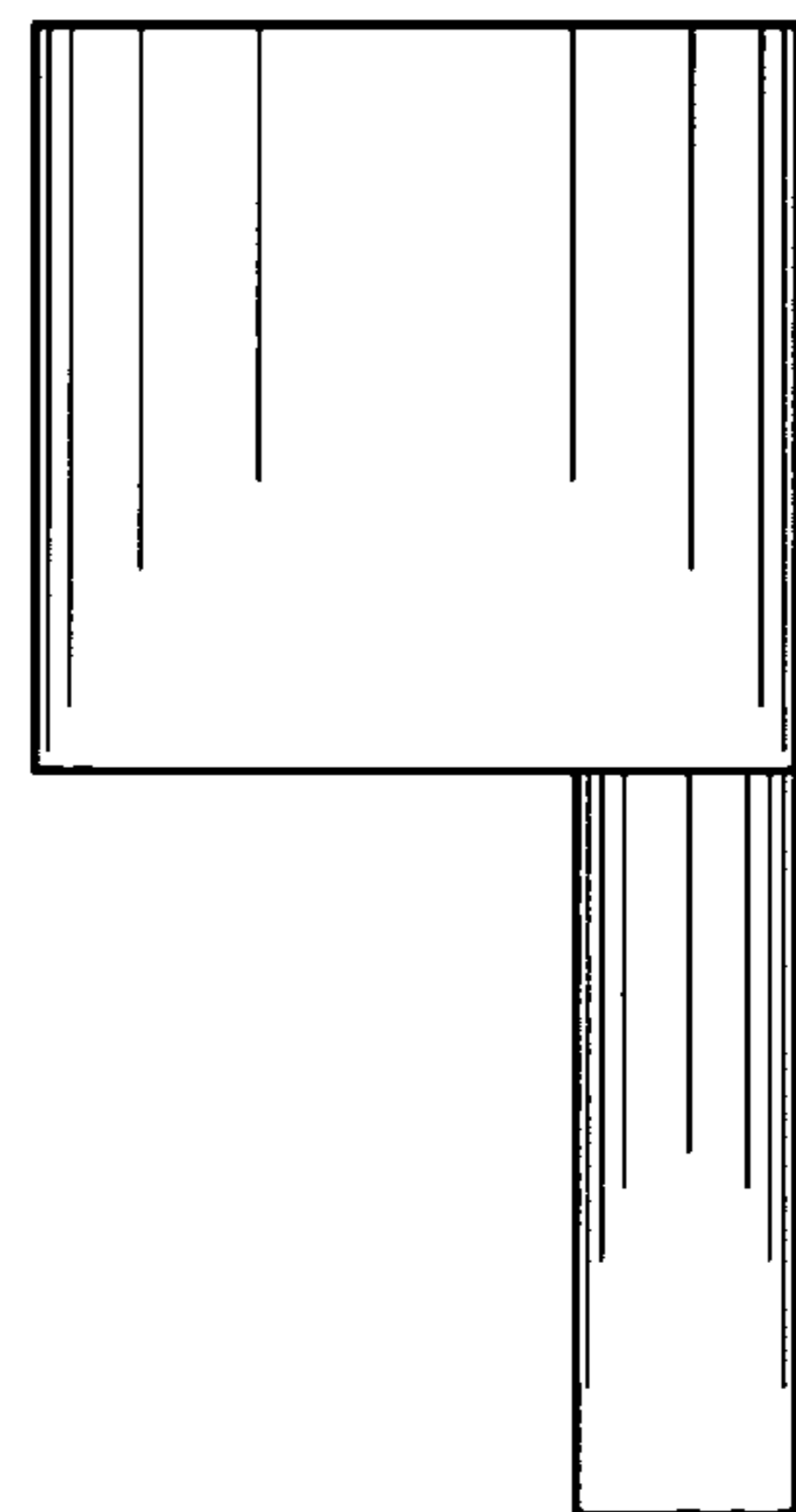


FIG. 7