



US00D622579S

(12) **United States Design Patent**
Heindl

(10) **Patent No.:** **US D622,579 S**

(45) **Date of Patent:** **** Aug. 31, 2010**

(54) **UMHW T-MOUNT NEW, SMALL SHEET PILE
CONNECTING ELEMENT**

(75) Inventor: **Richard Heindl**, Munich (DE)

(73) Assignee: **Pilepro, LLC**, Rapid City, SD (US)

(**) Term: **14 Years**

(21) Appl. No.: **29/316,029**

(22) Filed: **Aug. 17, 2009**

(30) **Foreign Application Priority Data**

Feb. 17, 2009 (EM) 001090013

(51) **LOC (9) Cl.** **08-08**

(52) **U.S. Cl.** **D8/382**

(58) **Field of Classification Search** D8/382,
D8/394, 395; D25/119, 61; 405/279, 278;
24/573.09, 346, 370

See application file for complete search history.

(56) **References Cited**

U.S. PATENT DOCUMENTS

D176,582 S * 1/1956 Bacon D6/509

D246,889 S * 1/1978 Eckerline D8/382

D309,343 S * 7/1990 Koza et al. D23/269

D331,188 S * 11/1992 Stolk D8/394

D464,738 S * 10/2002 Wall D25/61

D522,147 S * 5/2006 Morton et al. D25/119

D579,578 S * 10/2008 Chaney et al. D25/119

* cited by examiner

Primary Examiner—Holly H Baynham

Assistant Examiner—Sheryl Lane

(74) *Attorney, Agent, or Firm*—Karl F. Milde, Jr.; Eckert

Seamans Cherin & Mellott, LLC

(57) **CLAIM**

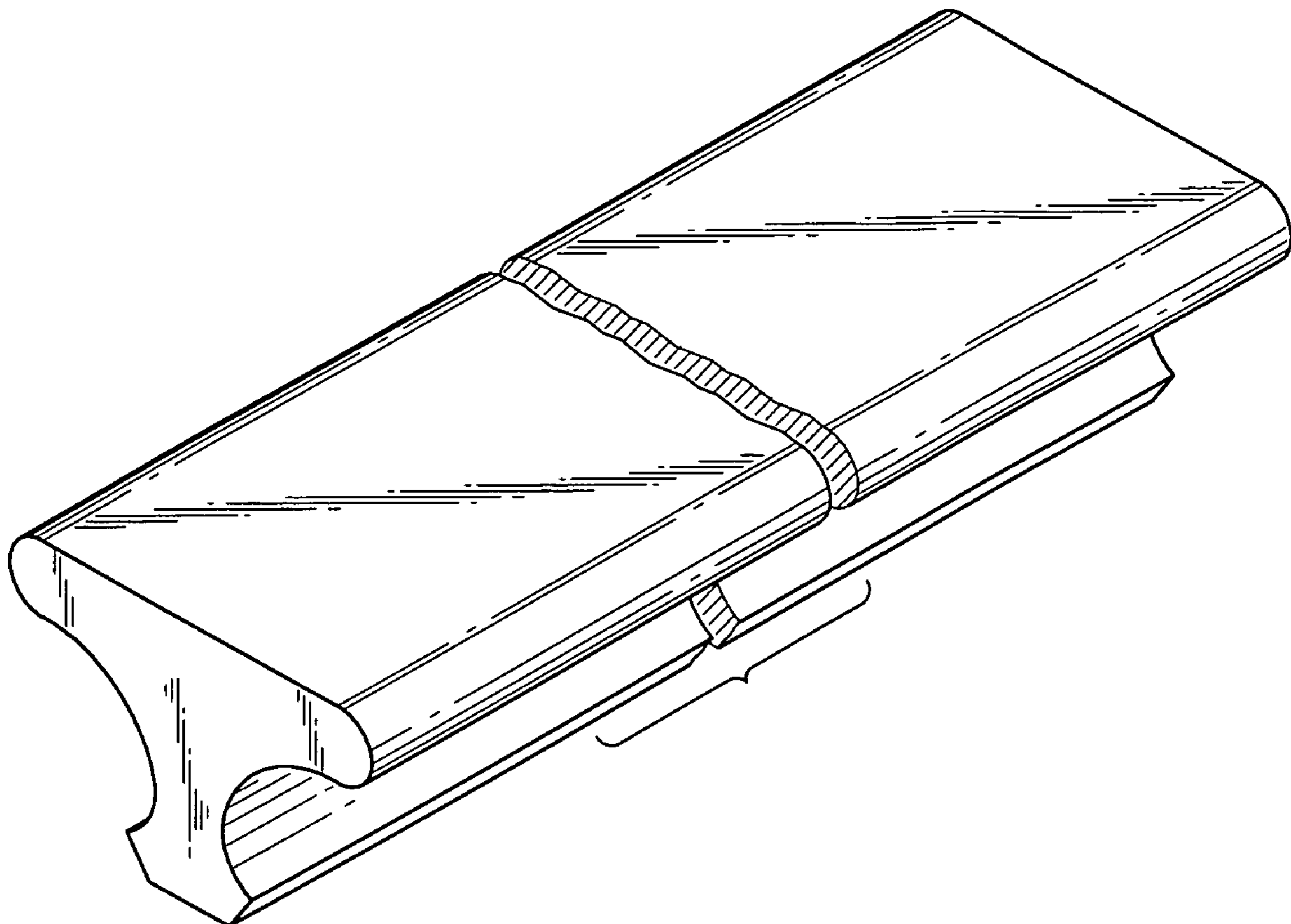
The ornamental design for a UMHW T-mount new small sheet pile connecting element, as shown and described.

DESCRIPTION

FIG. 1 is a perspective view of the connecting element for sheet piles according to my design. The connecting element is shown broken away in the middle to indicate the connector has no specific length; and,

FIG. 2 a front view of the connecting element of FIG. 1.

1 Claim, 1 Drawing Sheet



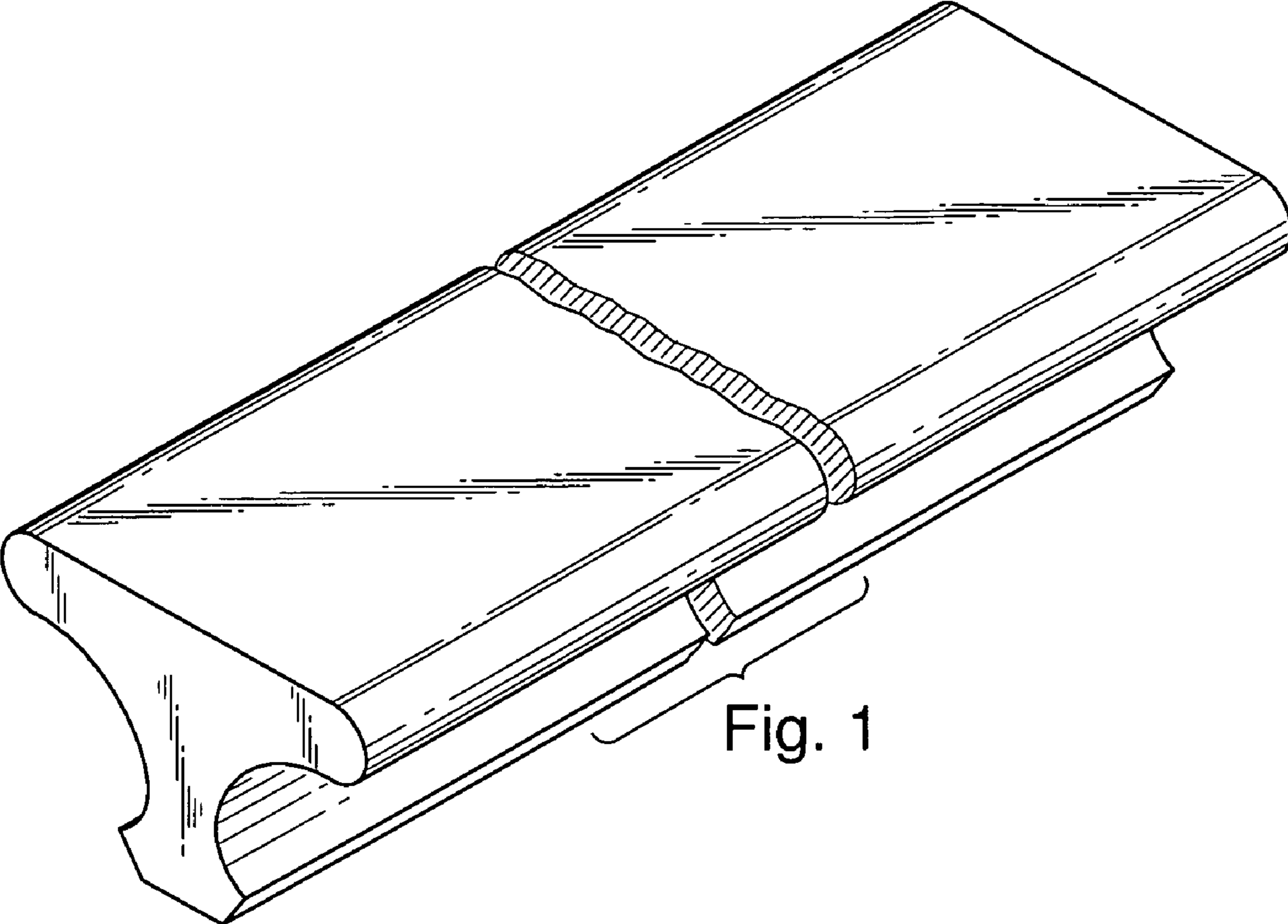


Fig. 1

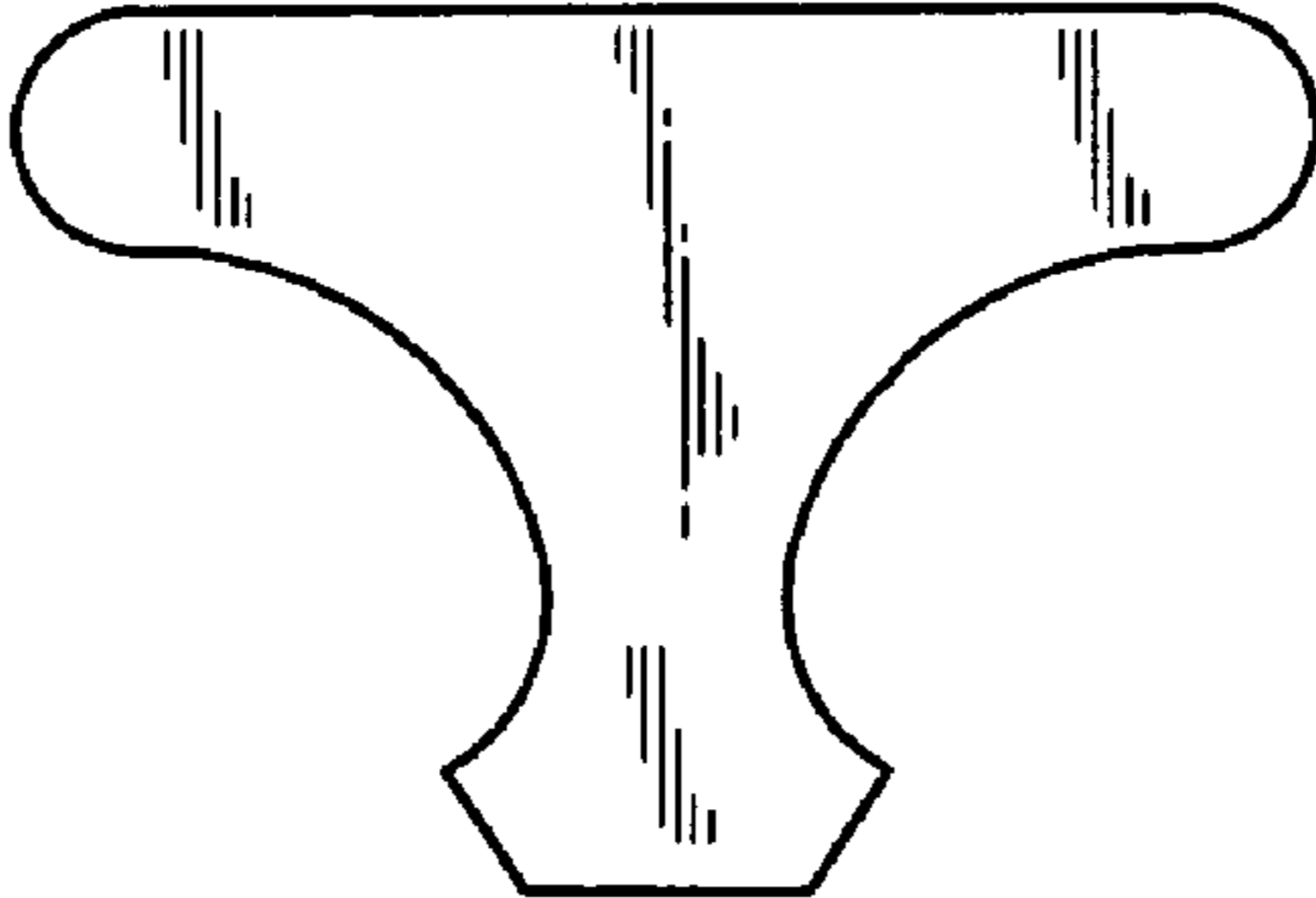


Fig. 2