

US00D622578S

(12) **United States Design Patent**
Kollman

(10) **Patent No.:** **US D622,578 S**

(45) **Date of Patent:** **** Aug. 31, 2010**

(54) **BRACKET FOR CURTAIN RODS**

(75) Inventor: **Michael Kollman**, Fitchburg, WI (US)

(73) Assignee: **Lumino, Inc.**, Madison, WI (US)

(**) Term: **14 Years**

(21) Appl. No.: **29/356,429**

(22) Filed: **Feb. 25, 2010**

(51) **LOC (9) Cl.** **08-05**

(52) **U.S. Cl.** **D8/380**

(58) **Field of Classification Search** D8/354,
D8/349, 363, 380-381; 248/263, 257, 265,
248/295.11; 160/19

See application file for complete search history.

(56) **References Cited**

U.S. PATENT DOCUMENTS

2,293,662	A	8/1942	Richardson	
2,689,103	A *	9/1954	Ackerman	248/257
2,918,245	A *	12/1959	Cameron	248/263
3,430,908	A *	3/1969	Kowalczyk	248/265
3,704,851	A *	12/1972	Cormier	248/265
4,079,770	A	3/1978	Woodle	
4,179,091	A	12/1979	Bidney	
4,363,459	A	12/1982	Holzer	
5,044,589	A	9/1991	Milne et al.	

5,131,616	A	7/1992	Biba	
5,529,273	A	6/1996	Benthin	
D555,459	S *	11/2007	Goodwin et al.	D8/363
2007/0200040	A1	8/2007	McMenamin et al.	

* cited by examiner

Primary Examiner—Holly H Baynham

(74) *Attorney, Agent, or Firm*—Buchanan Ingersoll & Rooney PC

(57) **CLAIM**

The ornamental design for a bracket for curtain rods, as shown and described.

DESCRIPTION

FIG. 1 is a perspective view of my mounting bracket for curtain rods in a retracted position;

FIG. 2 is a left side view thereof, the right side view being a minor image of this view;

FIG. 3 is a front view thereof;

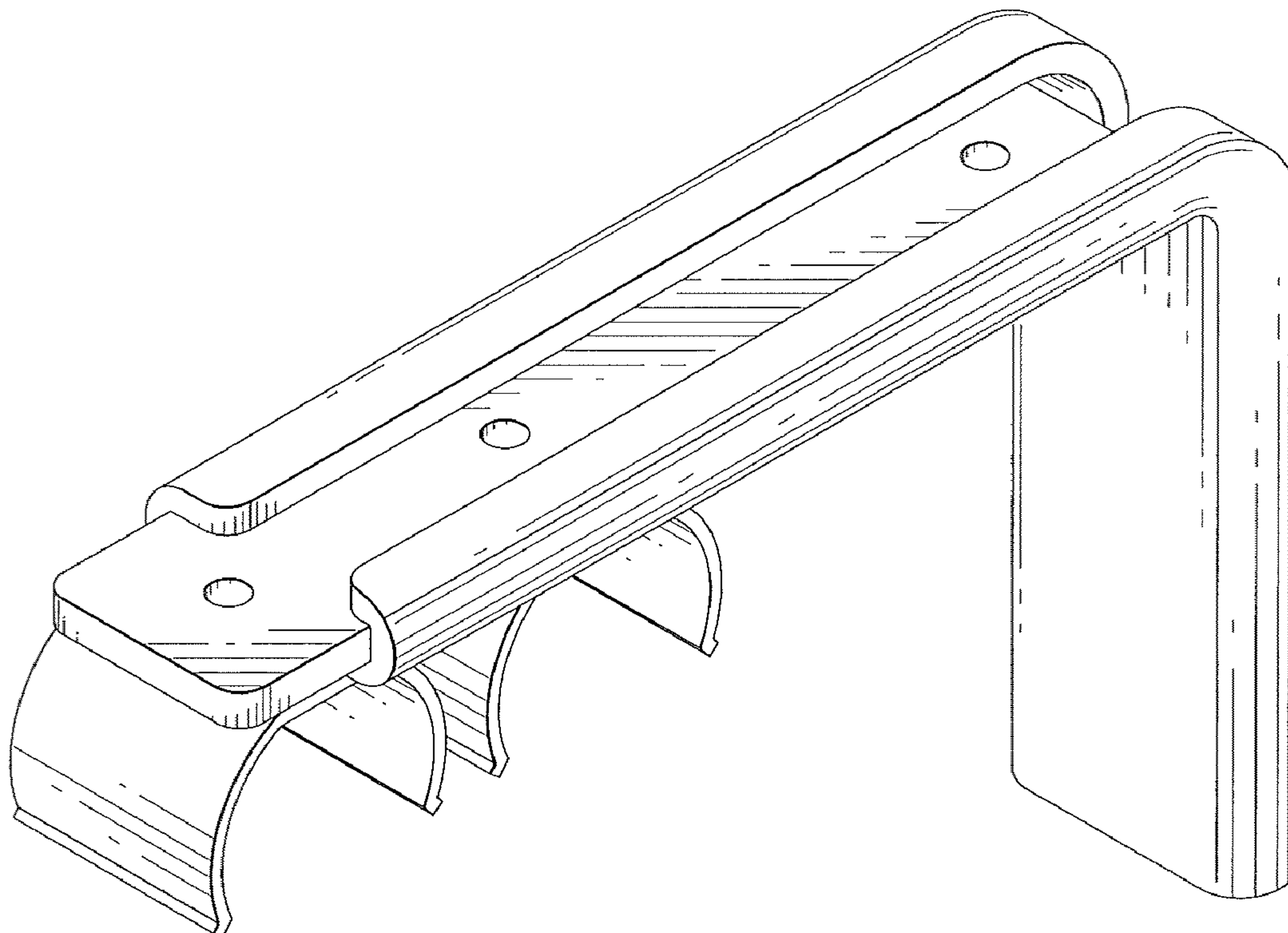
FIG. 4 is a rear view thereof;

FIG. 5 is a top view thereof;

FIG. 6 is a bottom view thereof; and,

FIG. 7 is a perspective view similar to FIG. 1 showing the mounting bracket in an extended position.

1 Claim, 3 Drawing Sheets



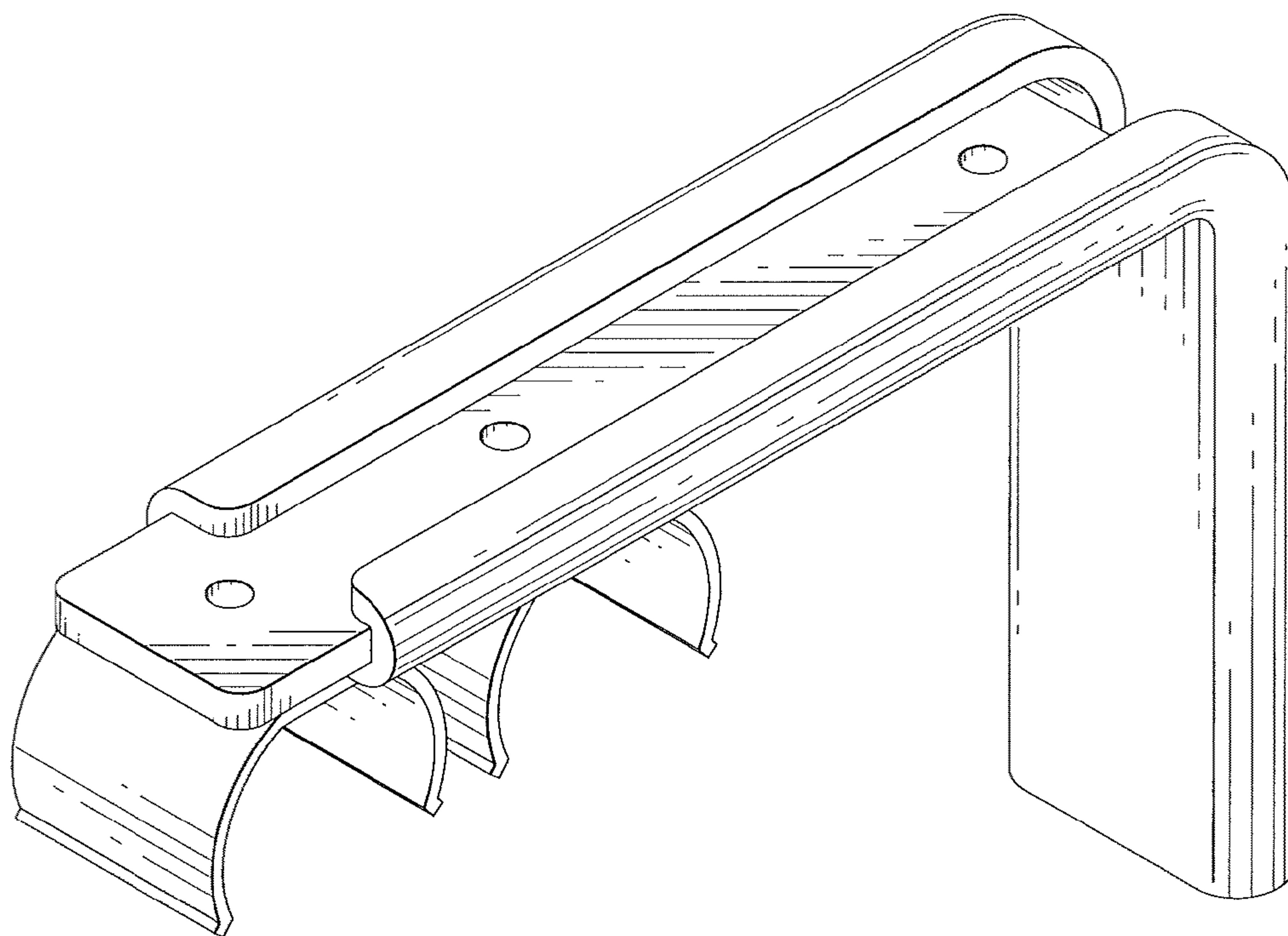


FIG. 1

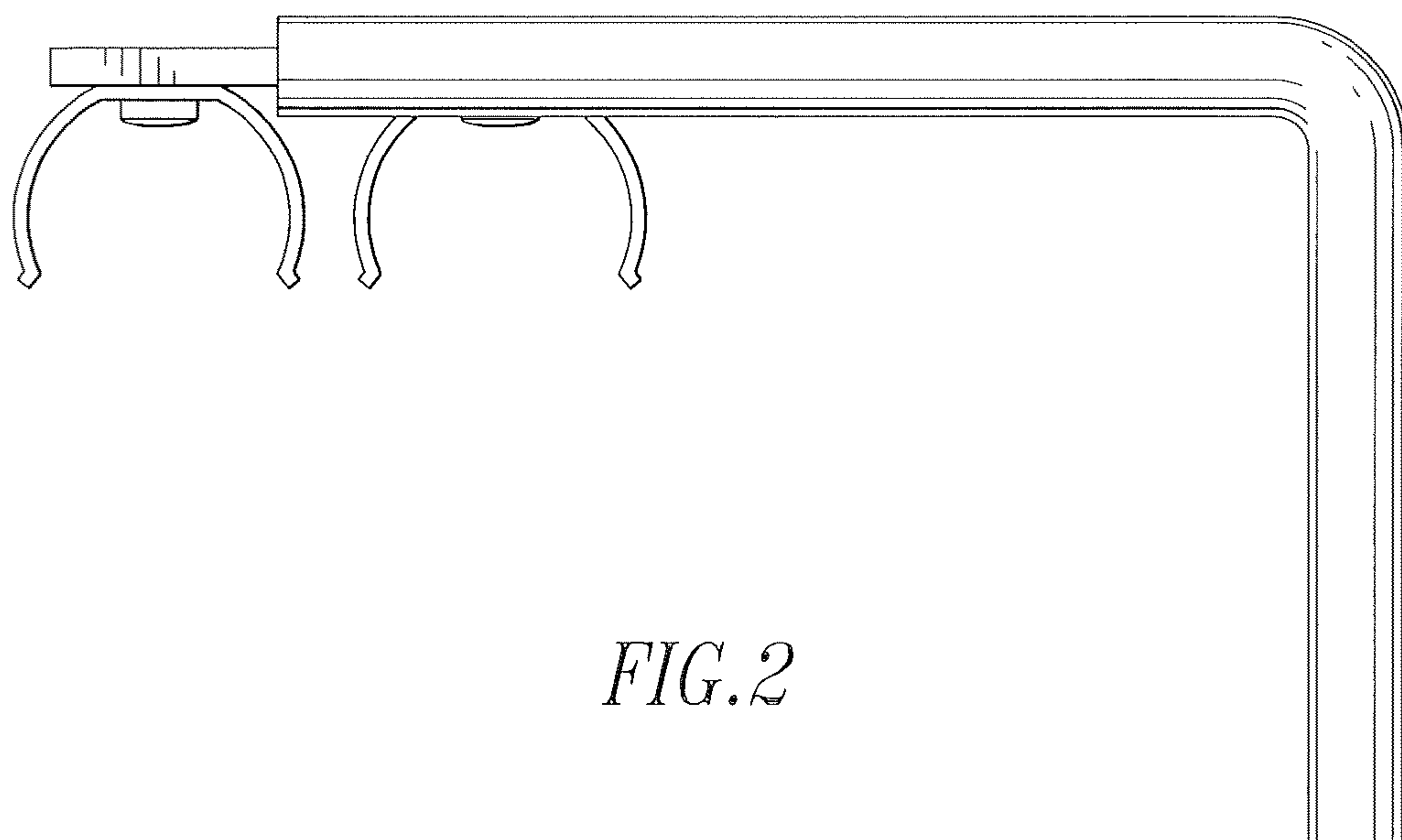


FIG. 2

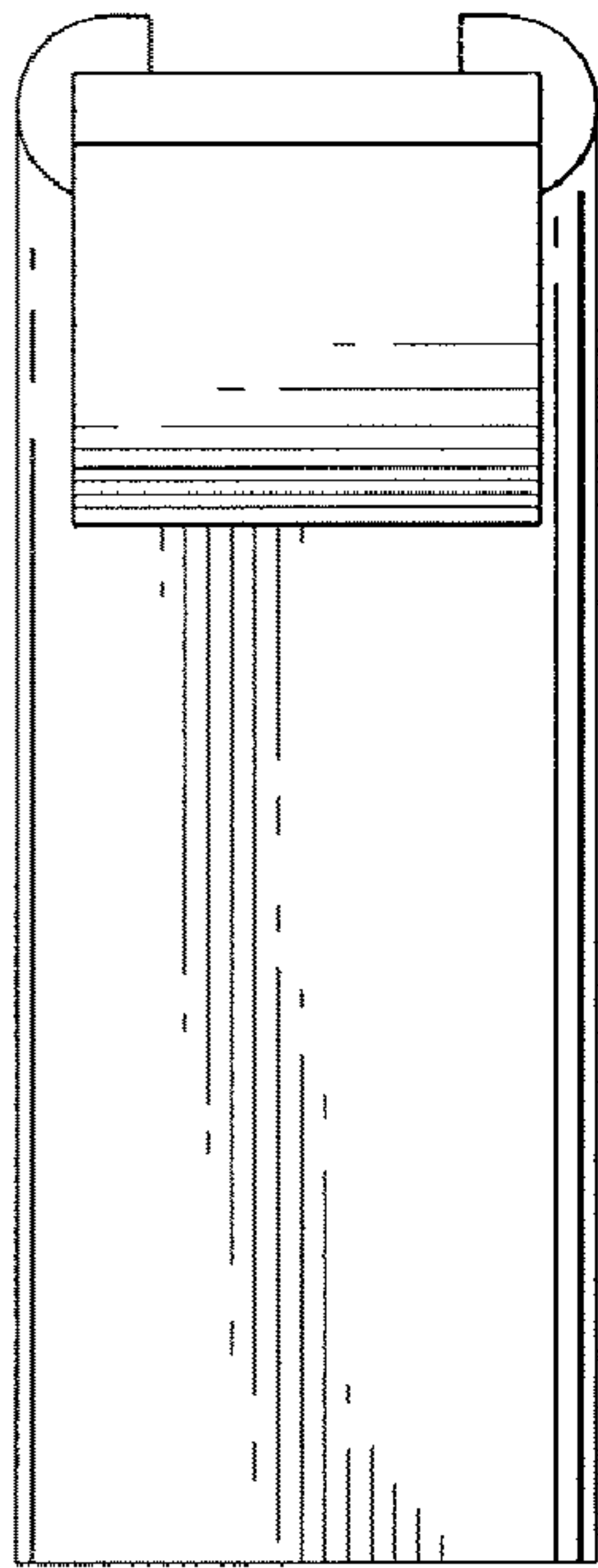


FIG. 3

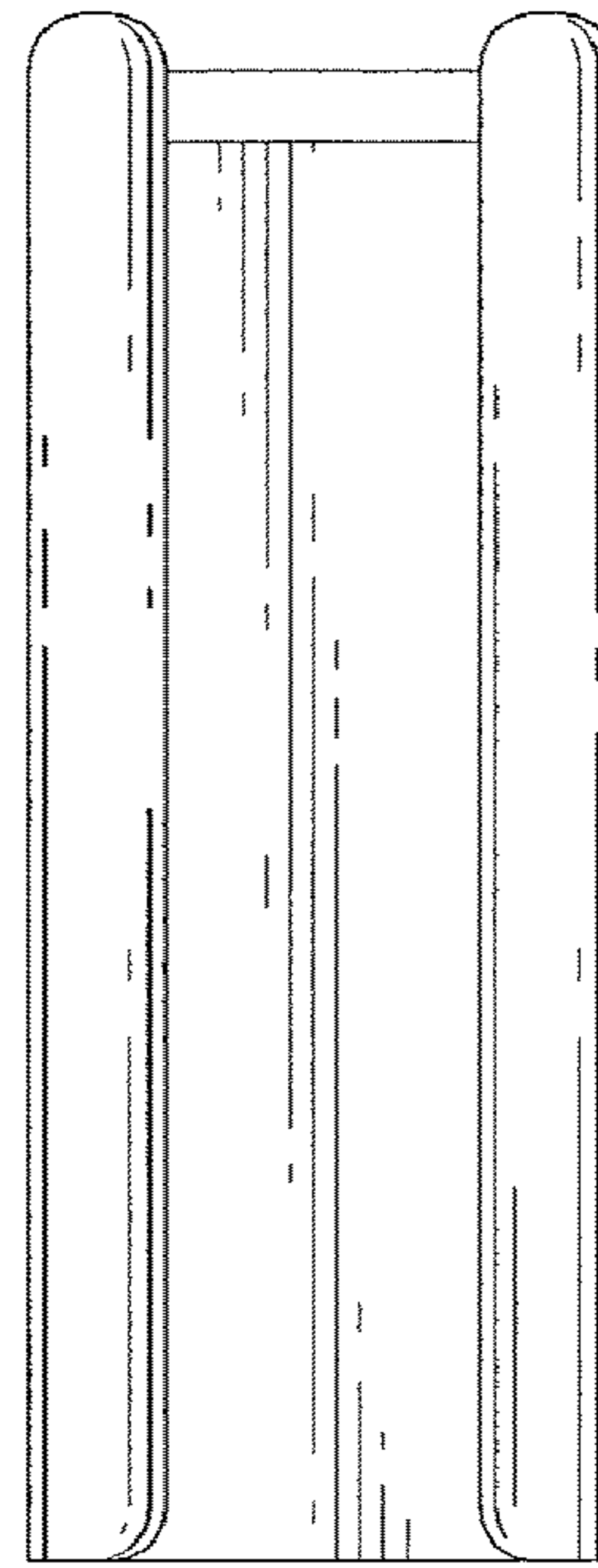


FIG. 4

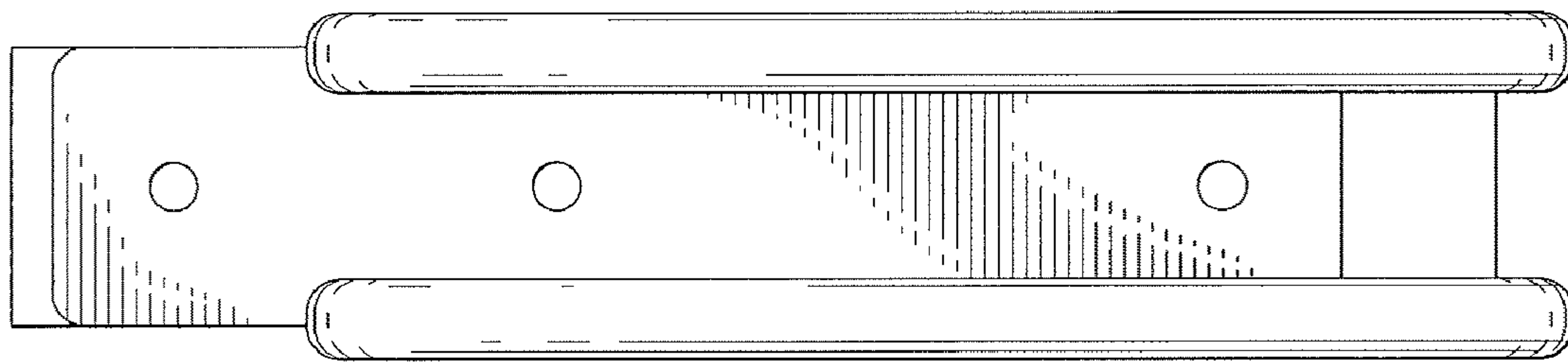


FIG. 5

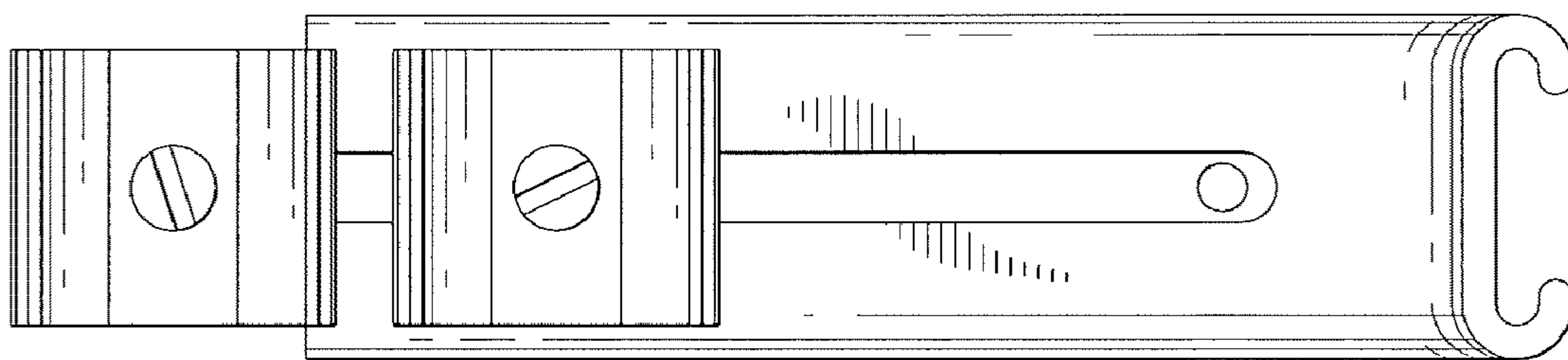


FIG. 6

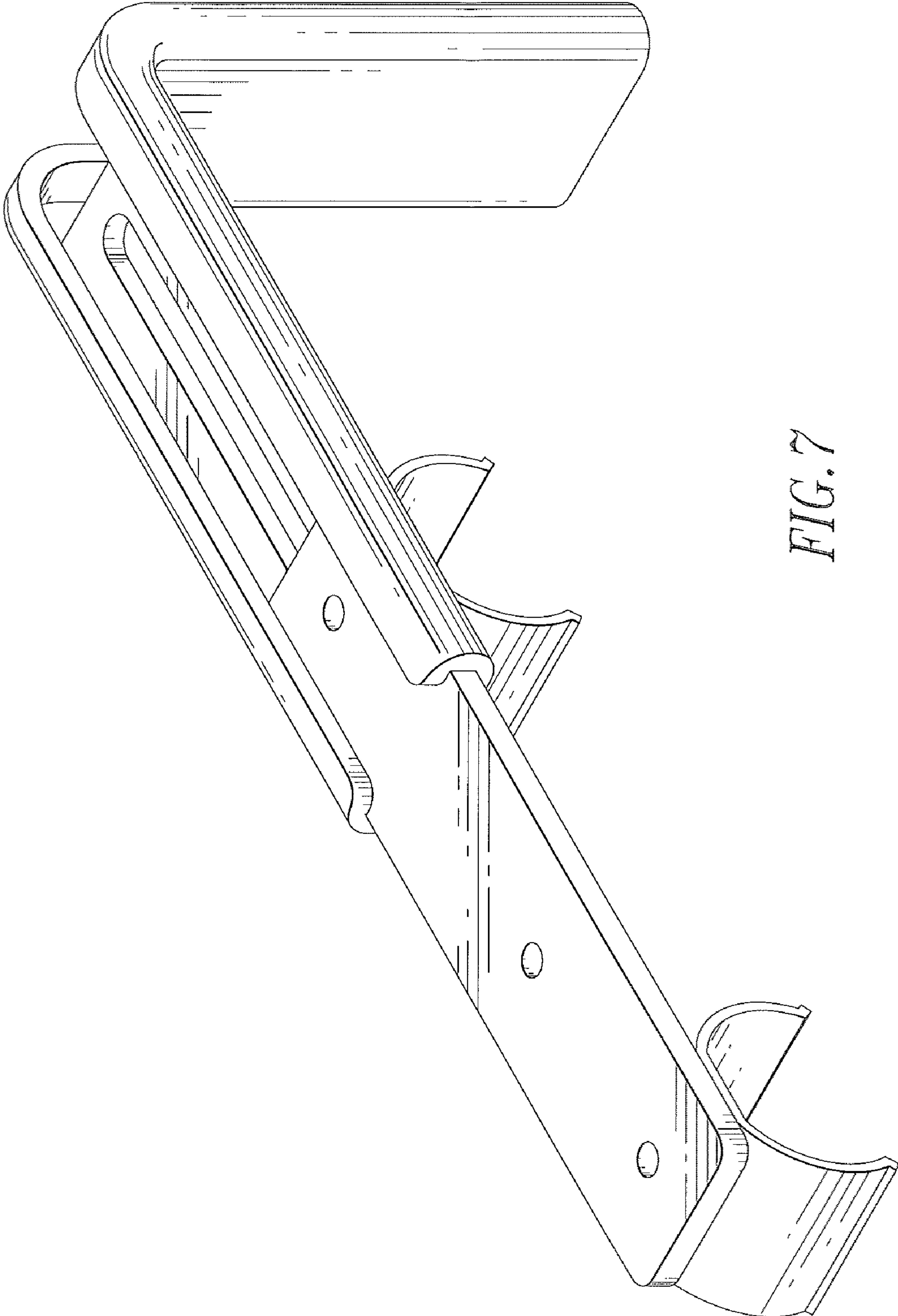


FIG. 7