



US00D622576S

(12) **United States Design Patent**
Farkas et al.

(10) **Patent No.:** **US D622,576 S**
(45) **Date of Patent:** **** Aug. 31, 2010**

(54) **DETENT HINGE HAVING SPRING-BASED AXIALLY AND PIVOTALLY MOVABLE HINGE HALVES**

DESCRIPTION

(75) Inventors: **Leslie A. Farkas**, Delhi (CA); **James Harrett**, London (CA)

(73) Assignee: **The Eastern Company**, Naugatuck, CT (US)

(**) Term: **14 Years**

(21) Appl. No.: **29/348,281**

(22) Filed: **Dec. 16, 2009**

(51) **LOC (9) Cl.** **08-06**

(52) **U.S. Cl.** **D8/328**

(58) **Field of Classification Search** D8/328,
D8/323, 324, 330, 325, 327, 331, 336, 353,
D8/338; D16/334; 4/236, 240; 16/309,
16/235, 275, 244, 379, 390, 430, 241, 238,
16/245, 236, 243, 242, 385, 225, 250; 49/381;
D23/302, 303; 248/682; D10/69; 33/347,
33/365-390; D3/905

See application file for complete search history.

(56) **References Cited**

U.S. PATENT DOCUMENTS

D99,756 S * 5/1936 Atwood D8/327

(Continued)

Primary Examiner—Robert M Spear

Assistant Examiner—Cynthia Underwood

(74) *Attorney, Agent, or Firm*—David A. Burge

(57) **CLAIM**

I claim the ornamental design for a detent hinge having spring-biased axially and pivotally movable hinge halves, as shown and described.

FIG. 1 is a perspective view of one embodiment of our invention showing mainly front features, with left and right hinge halves pivoted to an open orientation;

FIG. 2 is a perspective view thereof showing mainly rear features;

FIG. 3 is a front elevational view thereof;

FIG. 4 is a rear elevational view thereof;

FIG. 5 is a right side view of thereof;

FIG. 6 is a left side view thereof;

FIG. 7 is a top view thereof;

FIG. 8 is a bottom view thereof;

FIG. 9 is a perspective view of the same hinge shown in FIGS. 1-8, but with left and right hinge halves thereof pivoted to a closed orientation, and showing mainly rear features of a left hinge half thereof;

FIG. 10 is a perspective view thereof showing mainly rear features of a right hinge half thereof;

FIG. 11 is a rear elevational view thereof showing mainly features of the left hinge half;

FIG. 12 is a rear elevational view thereof showing mainly features of the right hinge half;

FIG. 13 is a right side view of the hinge embodiment as depicted in FIG. 1;

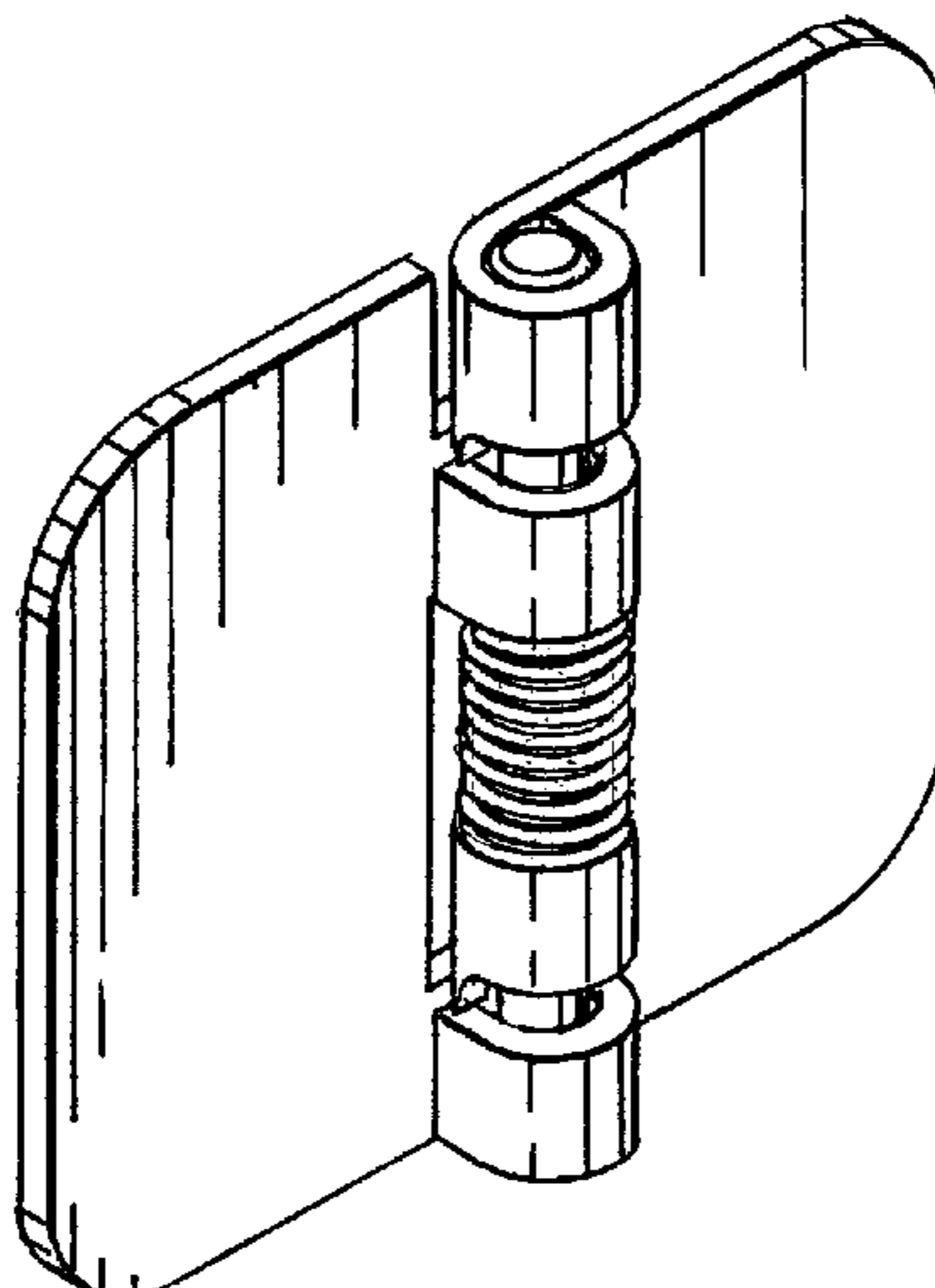
FIG. 14 is a left side view thereof;

FIG. 15 is a top view thereof; and,

FIG. 16 is a bottom view thereof.

The hinge design includes appearance features of a detent hinge that has left and right hinge halves, with interleaved elements of the hinge halves wrapped in pairs about a hinge pin which extends through a compression spring at a central location along the hinge pin, and with segments of the hinge pin being viewable between adjacent coils of the compression spring.

1 Claim, 4 Drawing Sheets



US D622,576 S

Page 2

U.S. PATENT DOCUMENTS

2,488,688	A	11/1949	Simmons	16/144	D344,667	S	3/1994	Riblett et al.	D8/327
3,516,115	A *	6/1970	Otto	16/225	5,412,842	A *	5/1995	Riblett	16/334
3,711,894	A	1/1973	Walters	16/144	5,632,065	A	5/1997	Siladke et al.	16/335
3,827,266	A *	8/1974	Walters	70/104	D385,475	S *	10/1997	Bolinas et al.	D8/328
4,015,600	A *	4/1977	Liautaud	604/177	5,765,263	A	6/1998	Bolinas et al.	16/342
4,200,956	A	5/1980	Ullman, Jr.	16/130	5,918,348	A	7/1999	Carpenter et al.	16/342
4,630,333	A *	12/1986	Vickers	16/338	D436,515	S *	1/2001	Sonntag	D8/328
D301,116	S *	5/1989	Foshee et al.	D8/331	6,525,929	B2	2/2003	Carr	361/683
4,949,427	A	8/1990	Keller	16/335	D541,624	S	5/2007	Franchini	D8/328
					D584,130	S *	1/2009	Bertani	D8/328

* cited by examiner

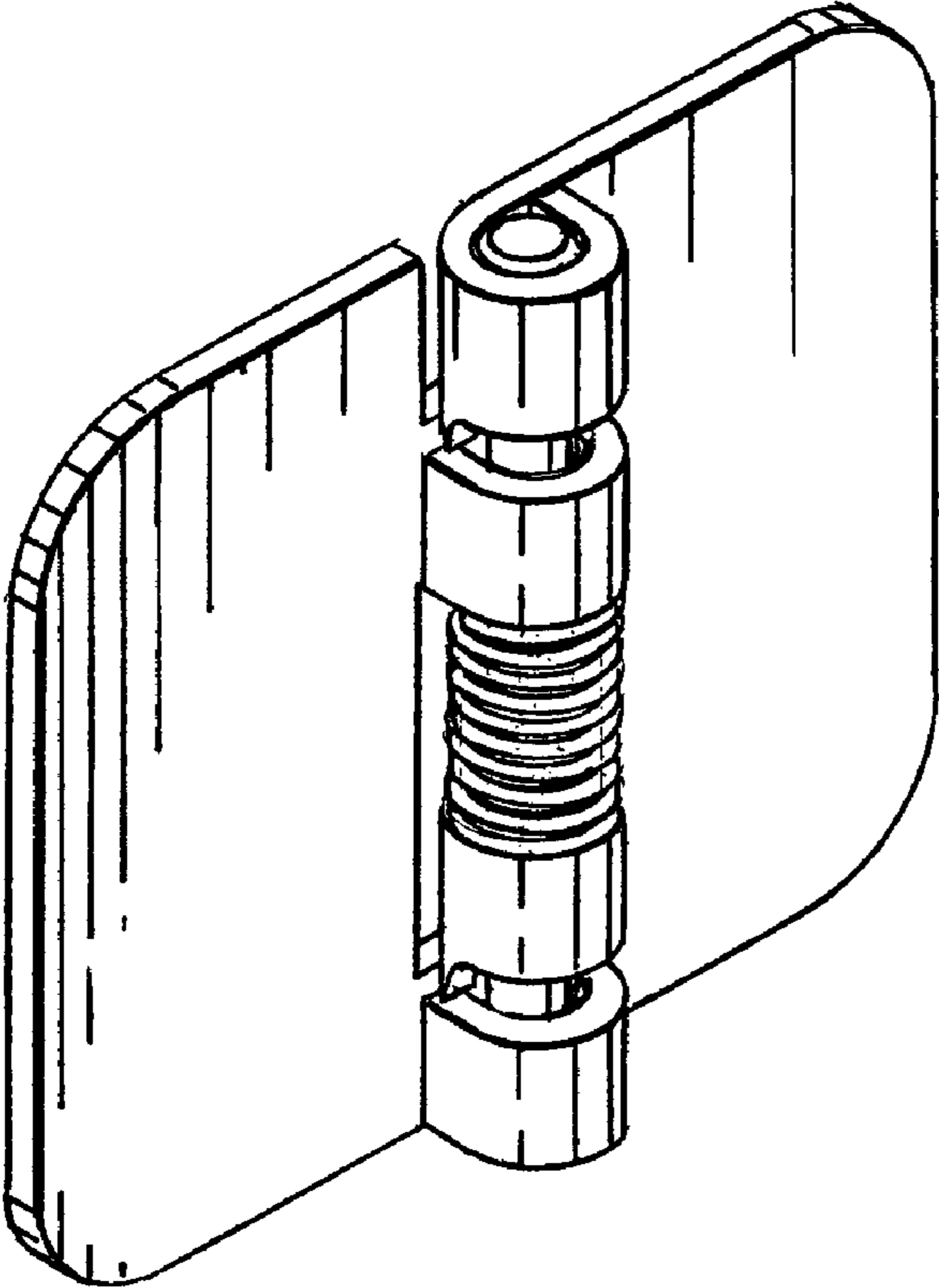


FIG. 1

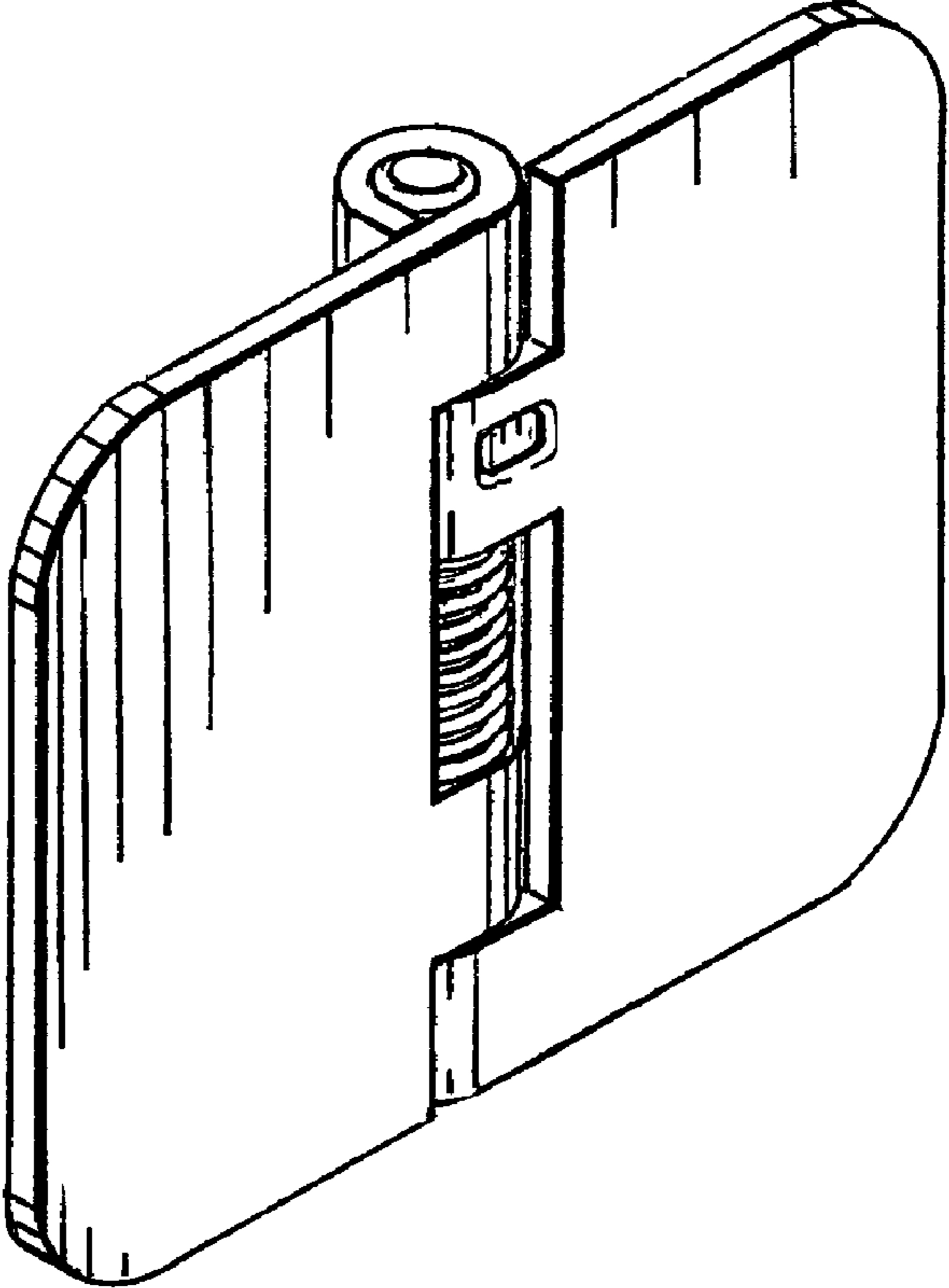


FIG. 2

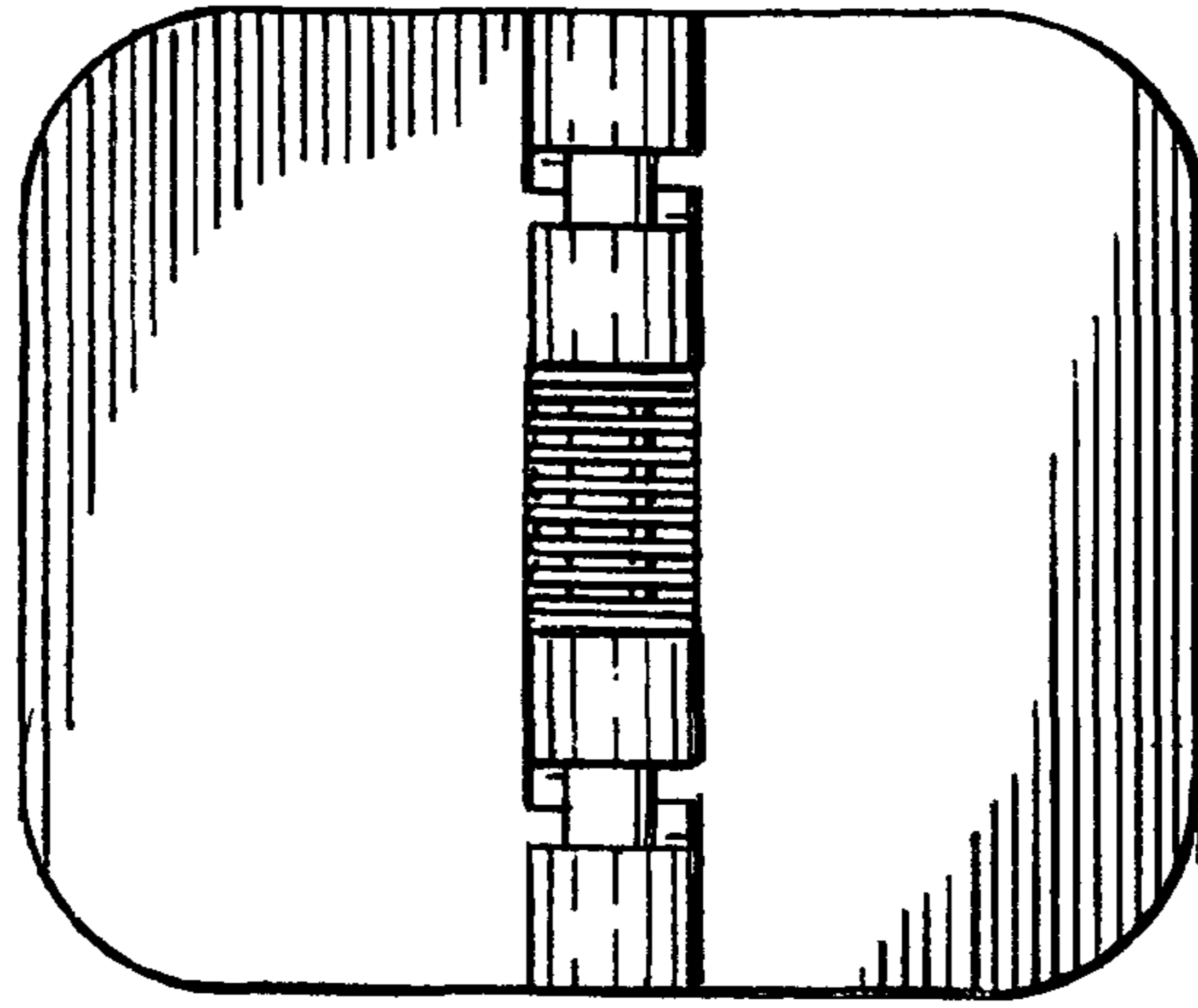


FIG. 3

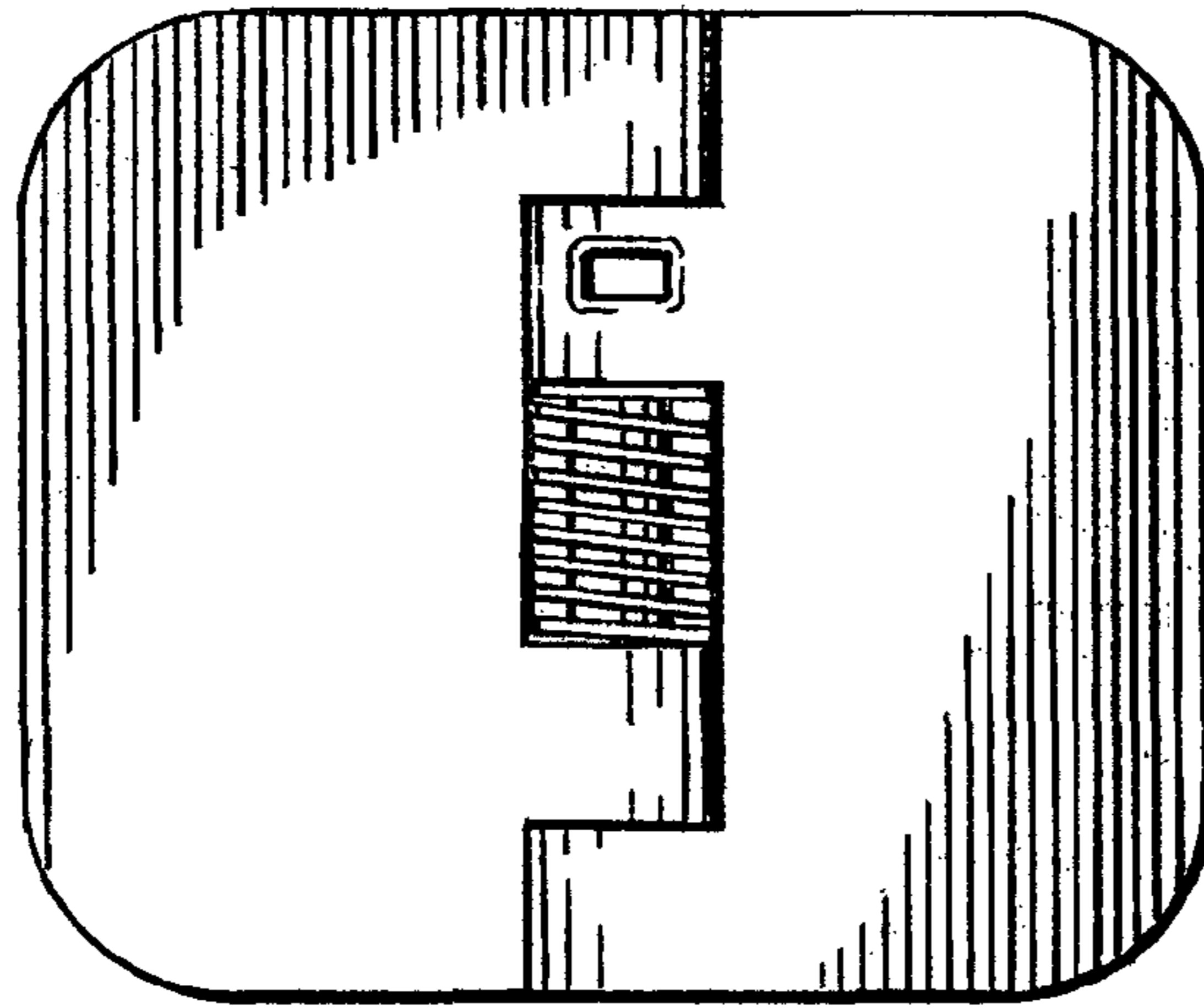


FIG. 4



FIG. 5



FIG. 6



FIG. 7



FIG. 8

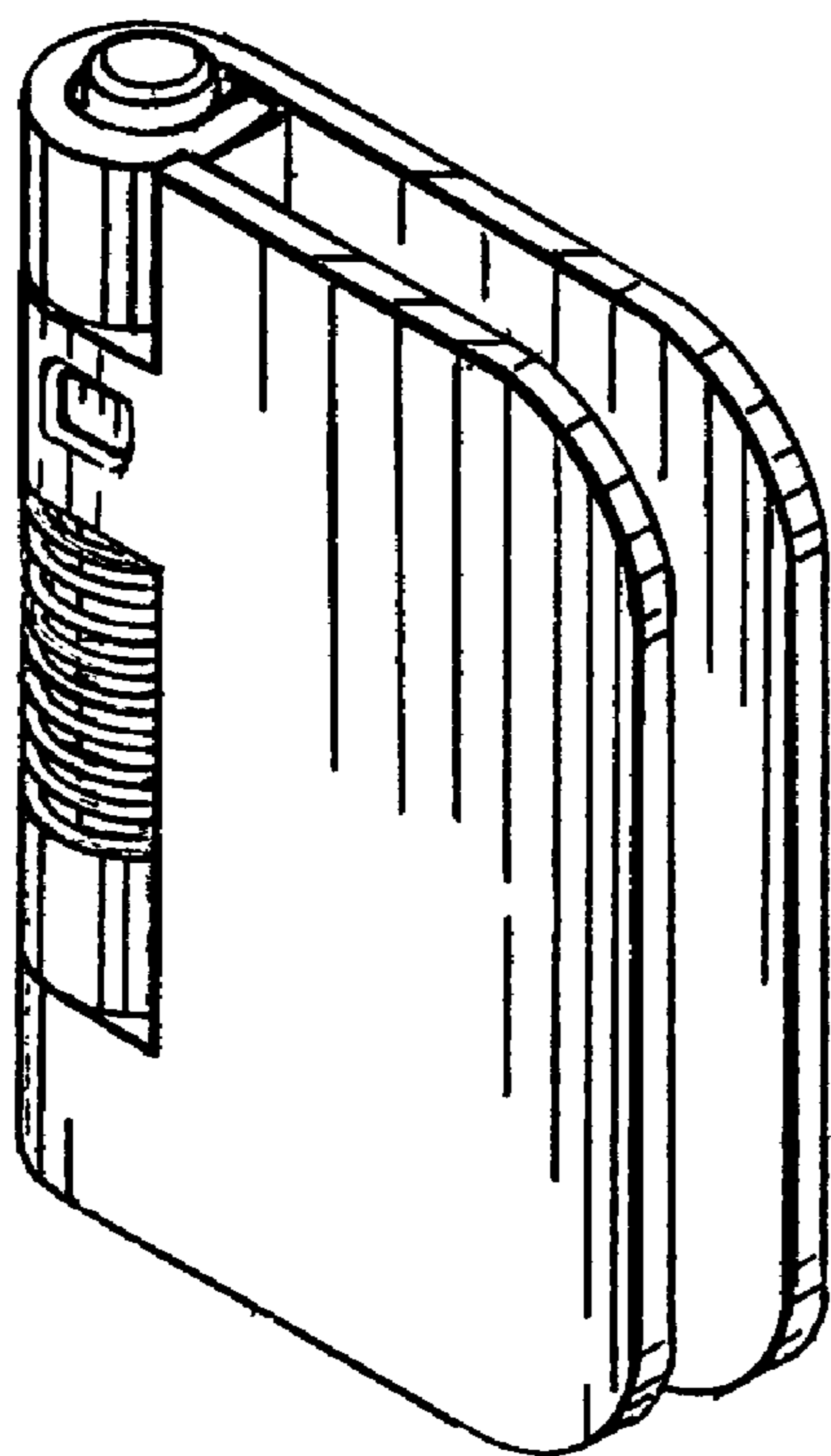


FIG. 9

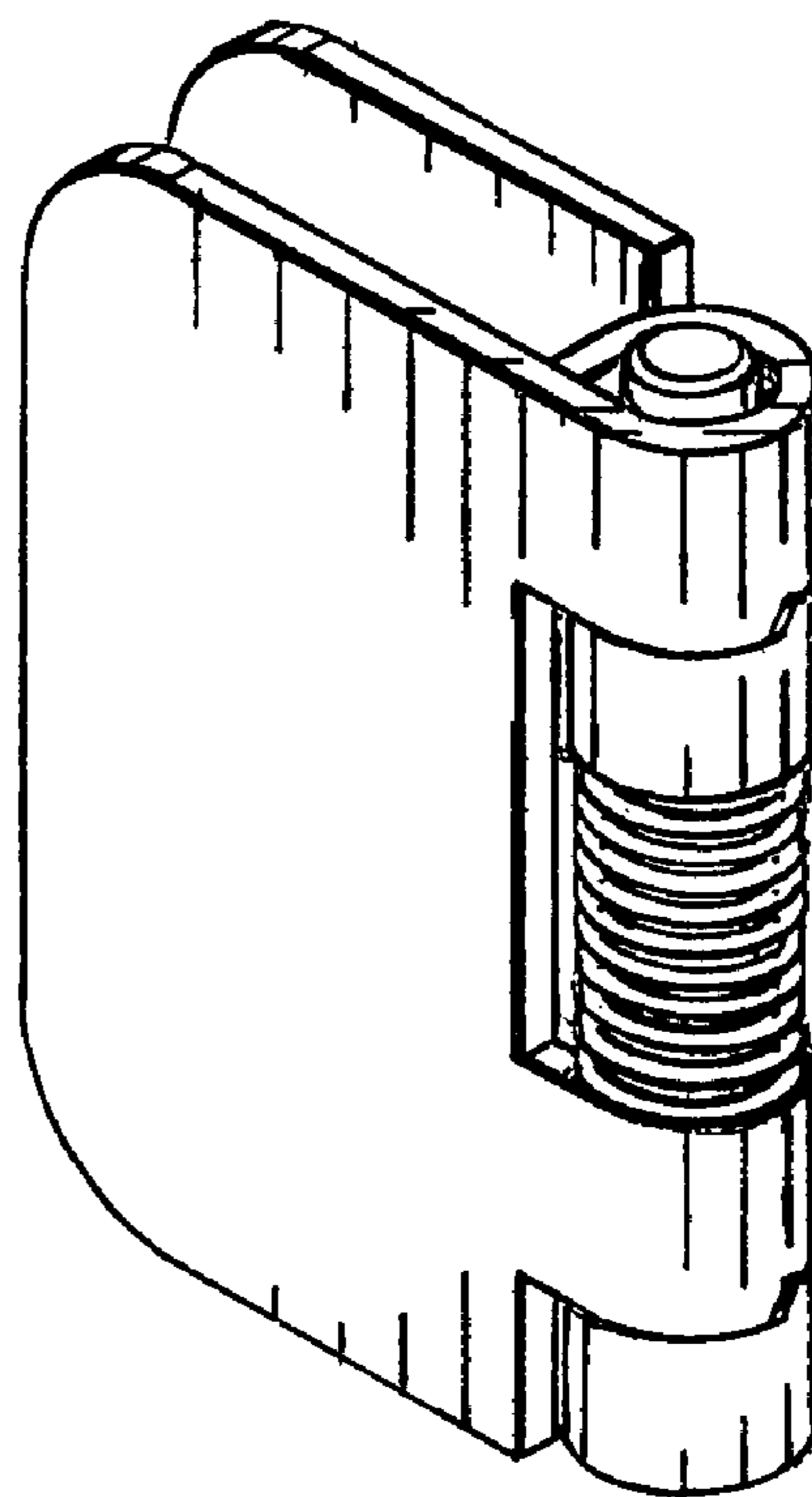


FIG. 10

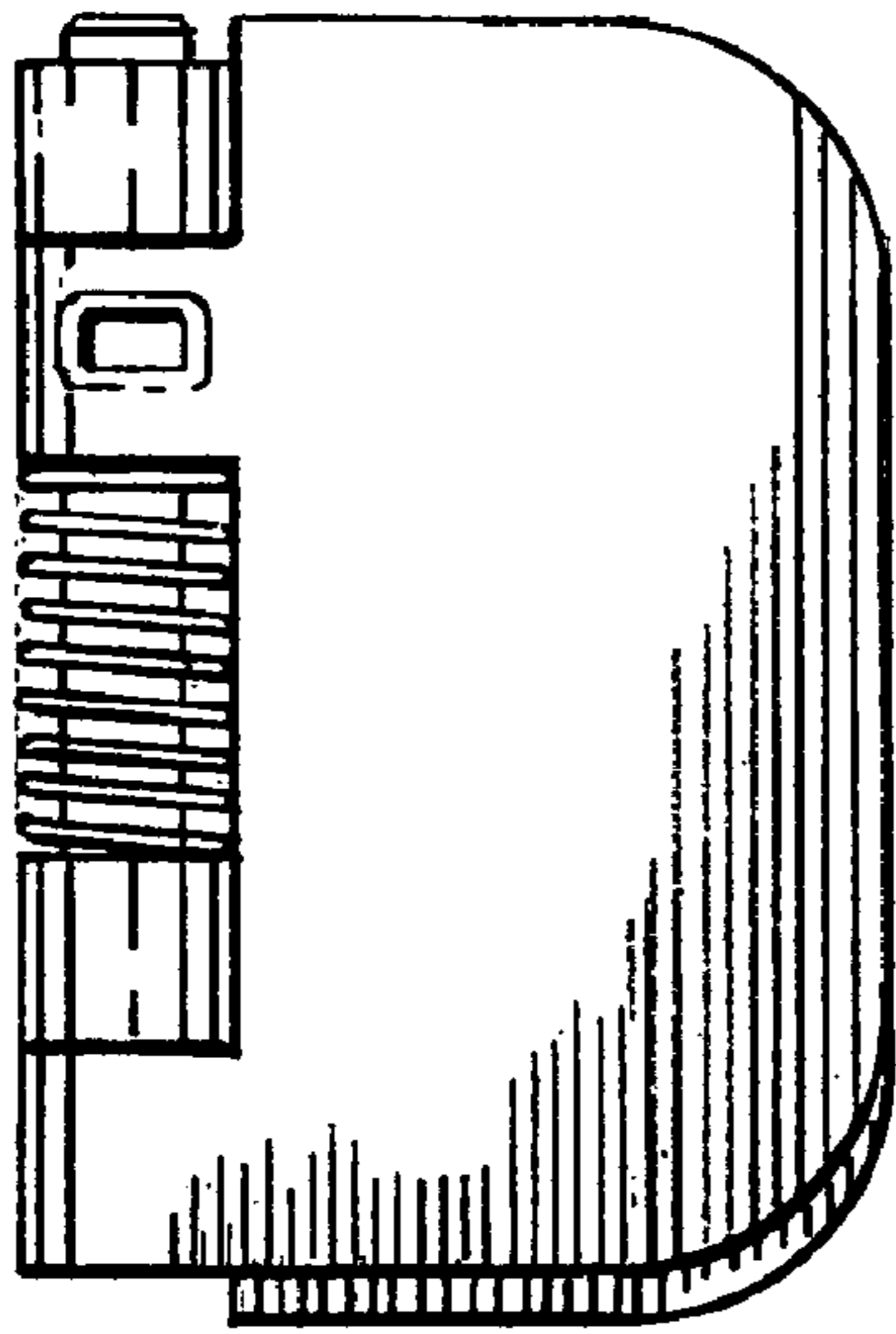


FIG. 11

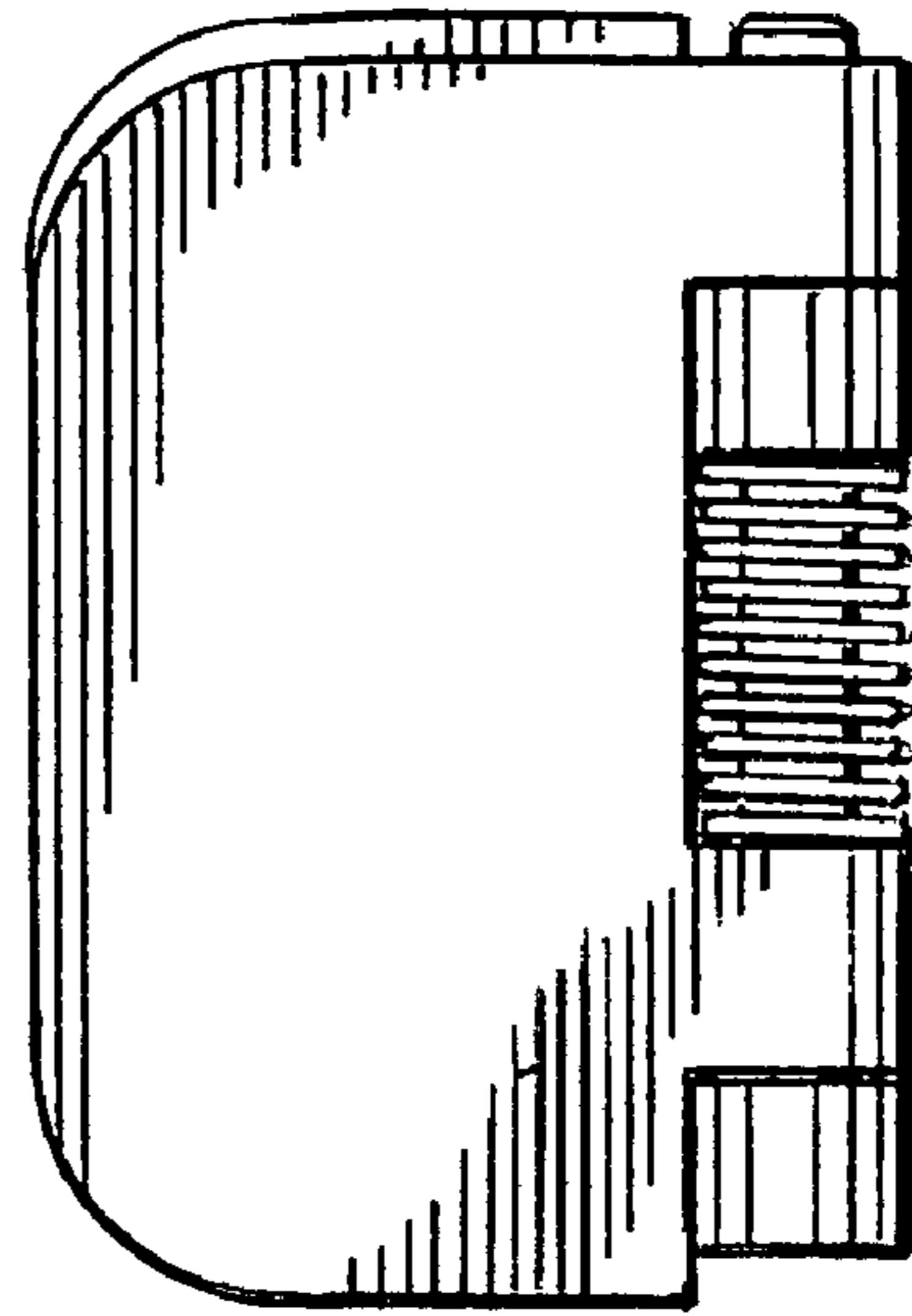


FIG. 12

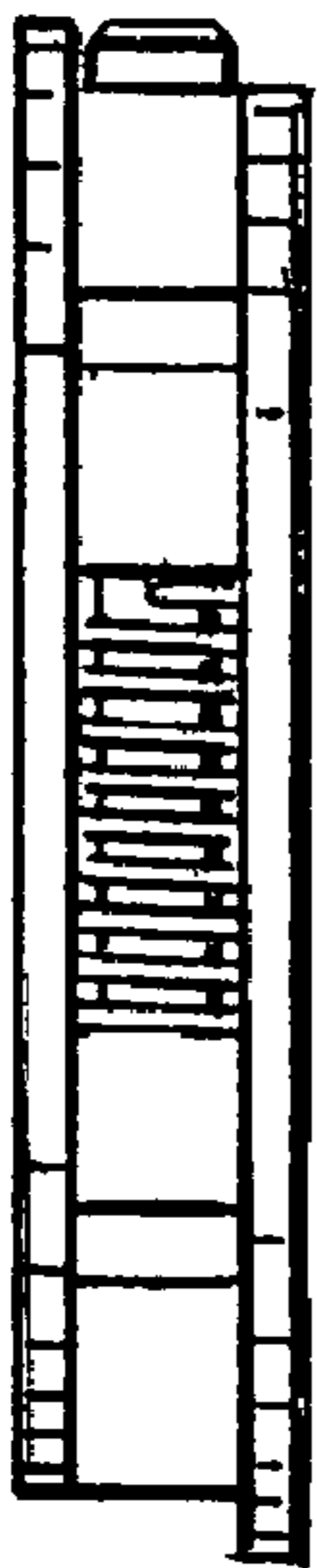


FIG. 13



FIG. 14

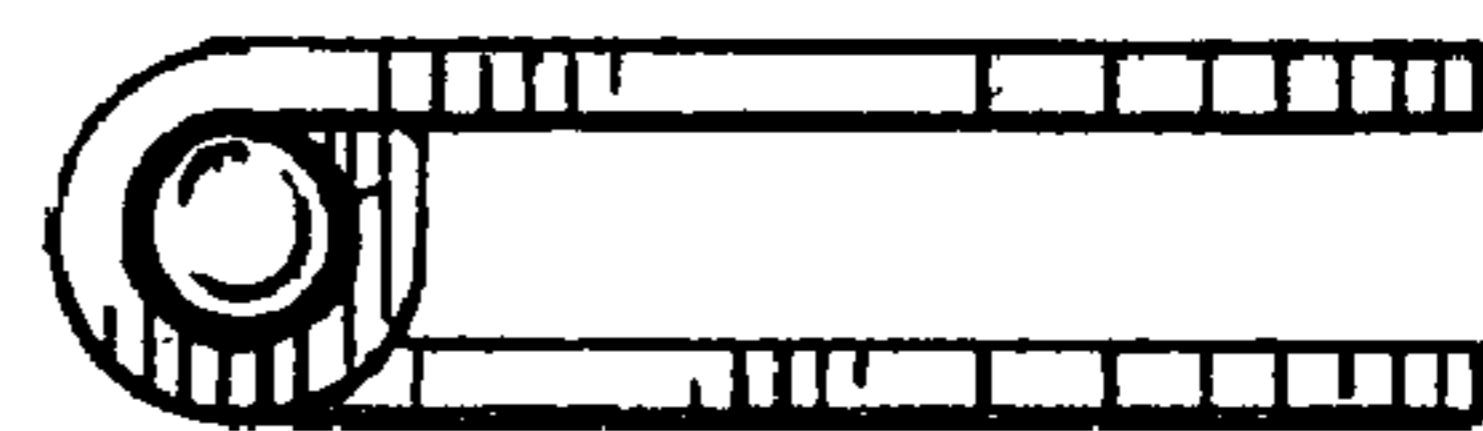


FIG. 15

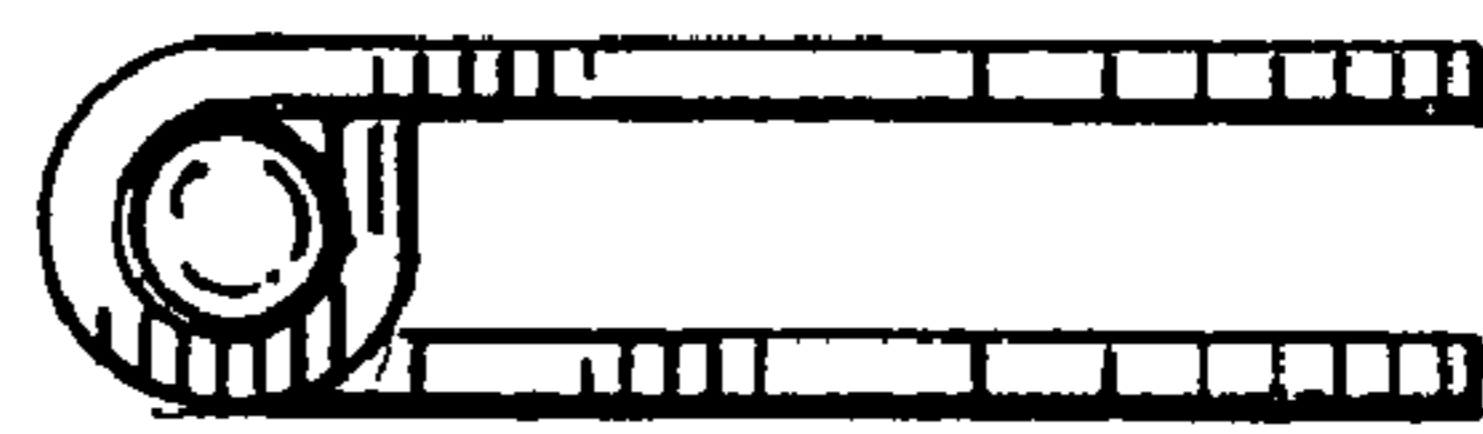


FIG. 16