



US00D622575S

(12) **United States Design Patent**
Li

(10) **Patent No.:** **US D622,575 S**

(45) **Date of Patent:** **** Aug. 31, 2010**

(54) **TOILET SEAT HINGE**

2009/0000017 A1* 1/2009 Zhou 4/236

(76) Inventor: **Yonghua Li**, Huangang Industrial Zone, Nantou Town, Zhongshan City, Guangdong Province (CN)

* cited by examiner

Primary Examiner—Robert M Spear

Assistant Examiner—Cynthia Underwood

(74) *Attorney, Agent, or Firm*—Raymond Y. Chan; David and Raymond Patent Firm

(**) Term: **14 Years**

(21) Appl. No.: **29/315,083**

(57) **CLAIM**

(22) Filed: **May 26, 2009**

The ornamental design for a toilet seat hinge, as shown and described.

(51) **LOC (9) Cl.** **08-08**

(52) **U.S. Cl.** **D8/326**

(58) **Field of Classification Search** D8/355,
D8/381, 323–330; 4/236, 240; D23/302;
16/309, 235, 275, 244, 379, 390, 430, 241,
16/238, 245, 236, 243, 242; 49/381
See application file for complete search history.

DESCRIPTION

FIG. 1 is a perspective view of toilet seat hinge showing my new design.

FIG. 2 is a front view thereof.

FIG. 3 is a rear view thereof.

FIG. 4 is a right end view thereof.

FIG. 5 is a left end view thereof.

FIG. 6 is a top view thereof.

FIG. 7 is a bottom view thereof; and,

FIG. 8 is a perspective view of the new design thereof which is in use with a toilet seat cover.

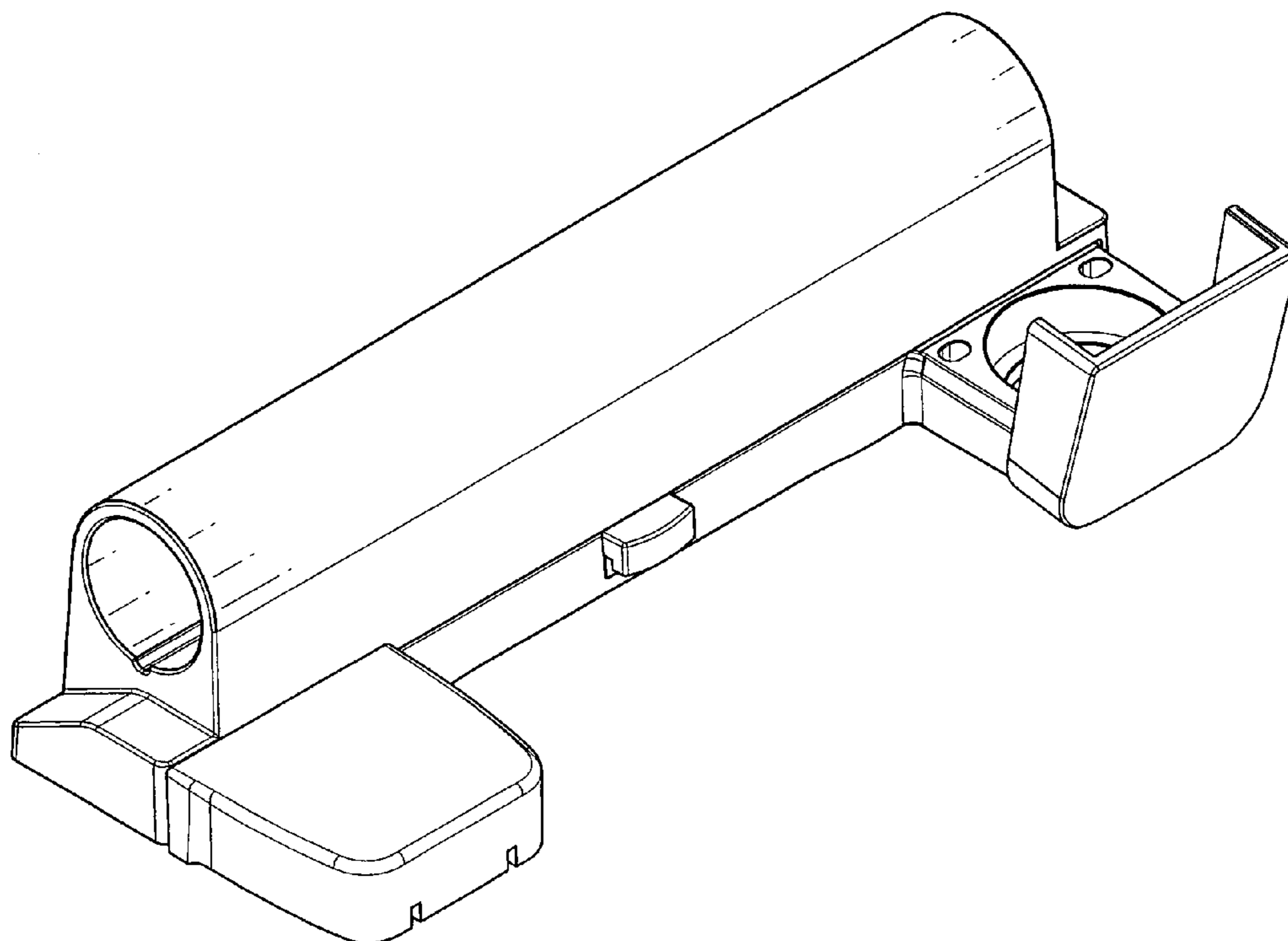
It is understood that the broken lines in the drawing are for illustrative purposes only and forms no part of the claimed design.

(56) **References Cited**

U.S. PATENT DOCUMENTS

D30,721 S *	5/1899	Decker	D8/323
D136,323 S *	9/1943	Watson	D8/326
D157,272 S *	2/1950	Lillyblad et al.	D8/326
D187,180 S *	2/1960	Dettinger	D8/327
D338,823 S *	8/1993	Johnson	D8/326
5,491,873 A *	2/1996	Ferguson	16/245
5,896,591 A *	4/1999	Horan et al.	4/213
D432,133 S *	10/2000	Oross	D14/439
6,484,363 B1 *	11/2002	Chung	16/242
D564,858 S *	3/2008	Radulescu	D8/325
2007/0017013 A1 *	1/2007	Pronovost	4/240

1 Claim, 8 Drawing Sheets



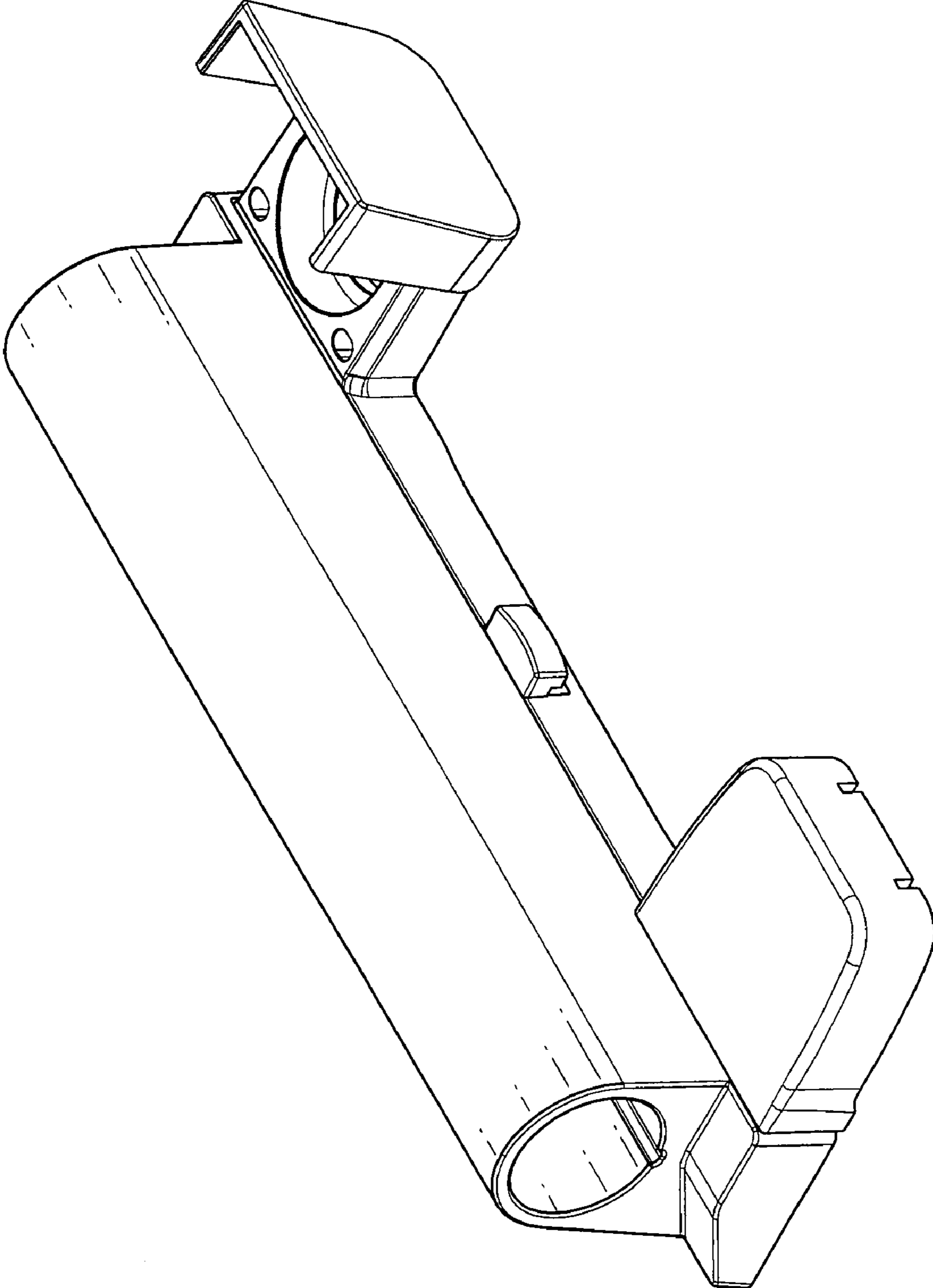


FIG. 1

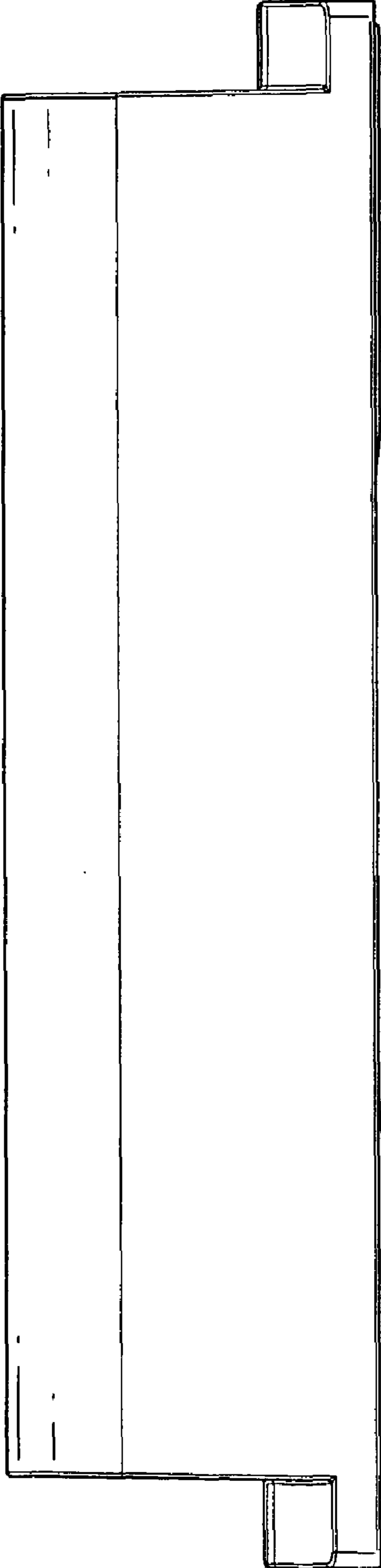


FIG. 2

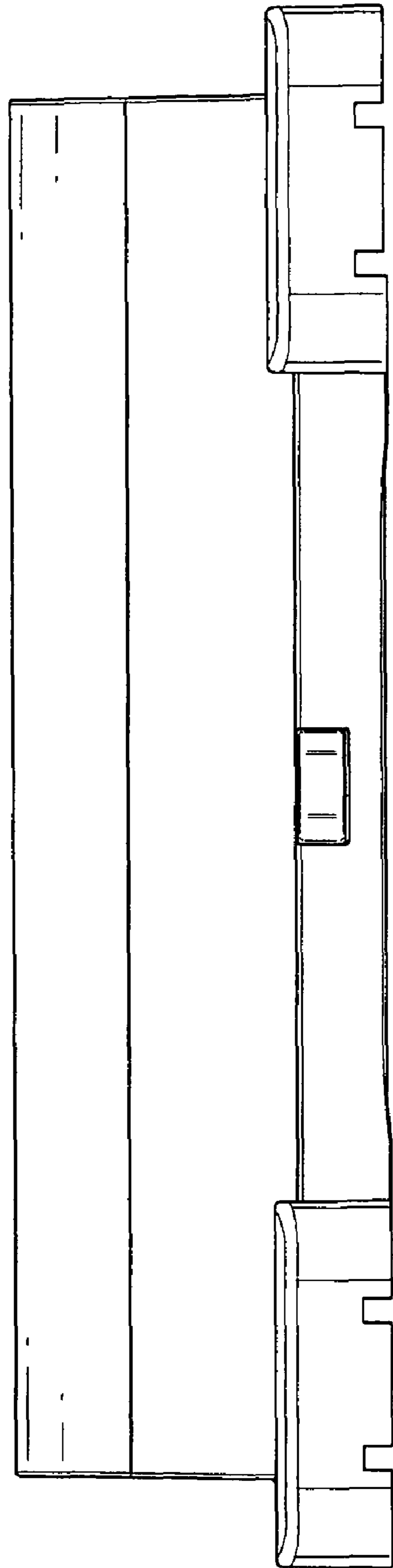


FIG. 3

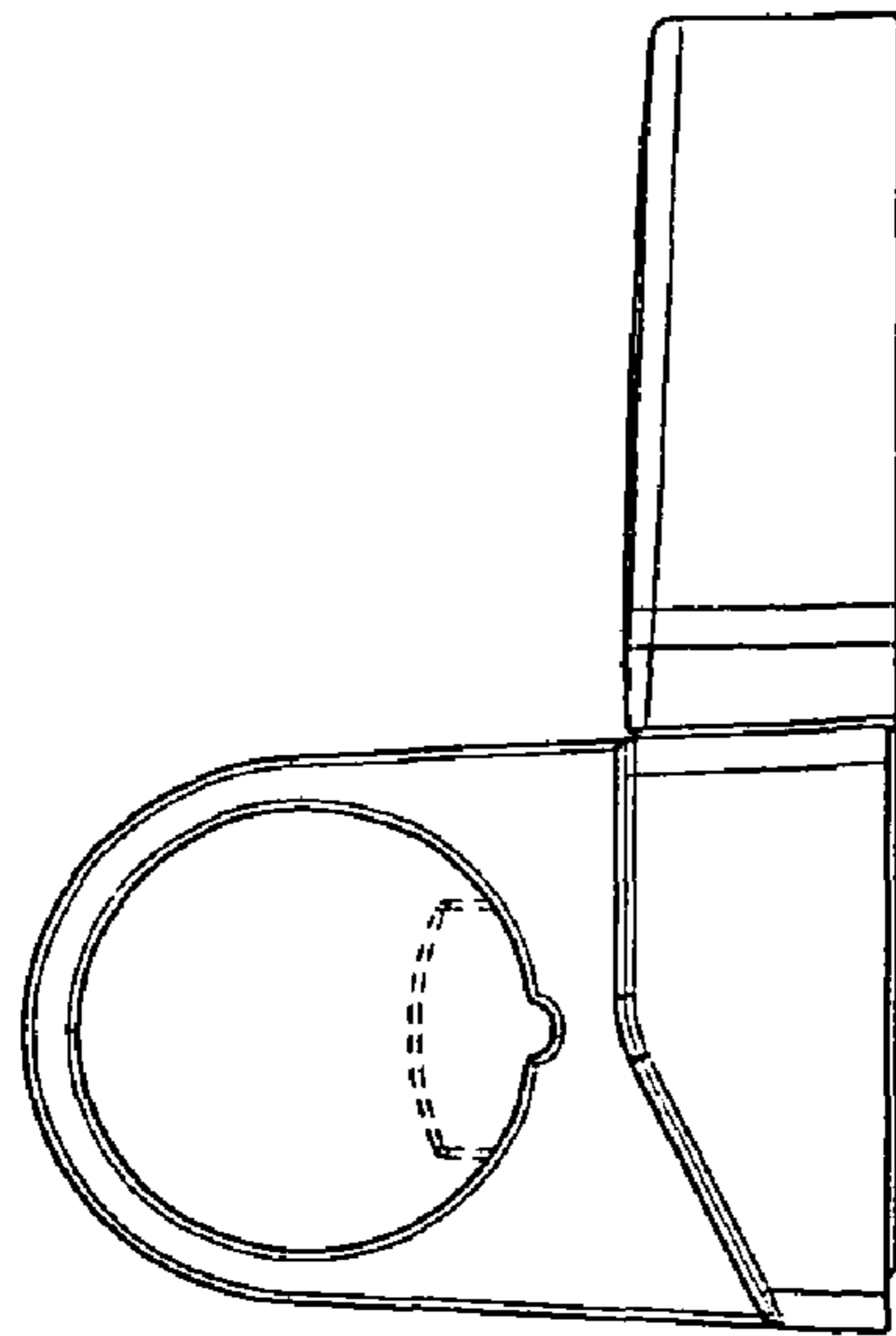


FIG. 4

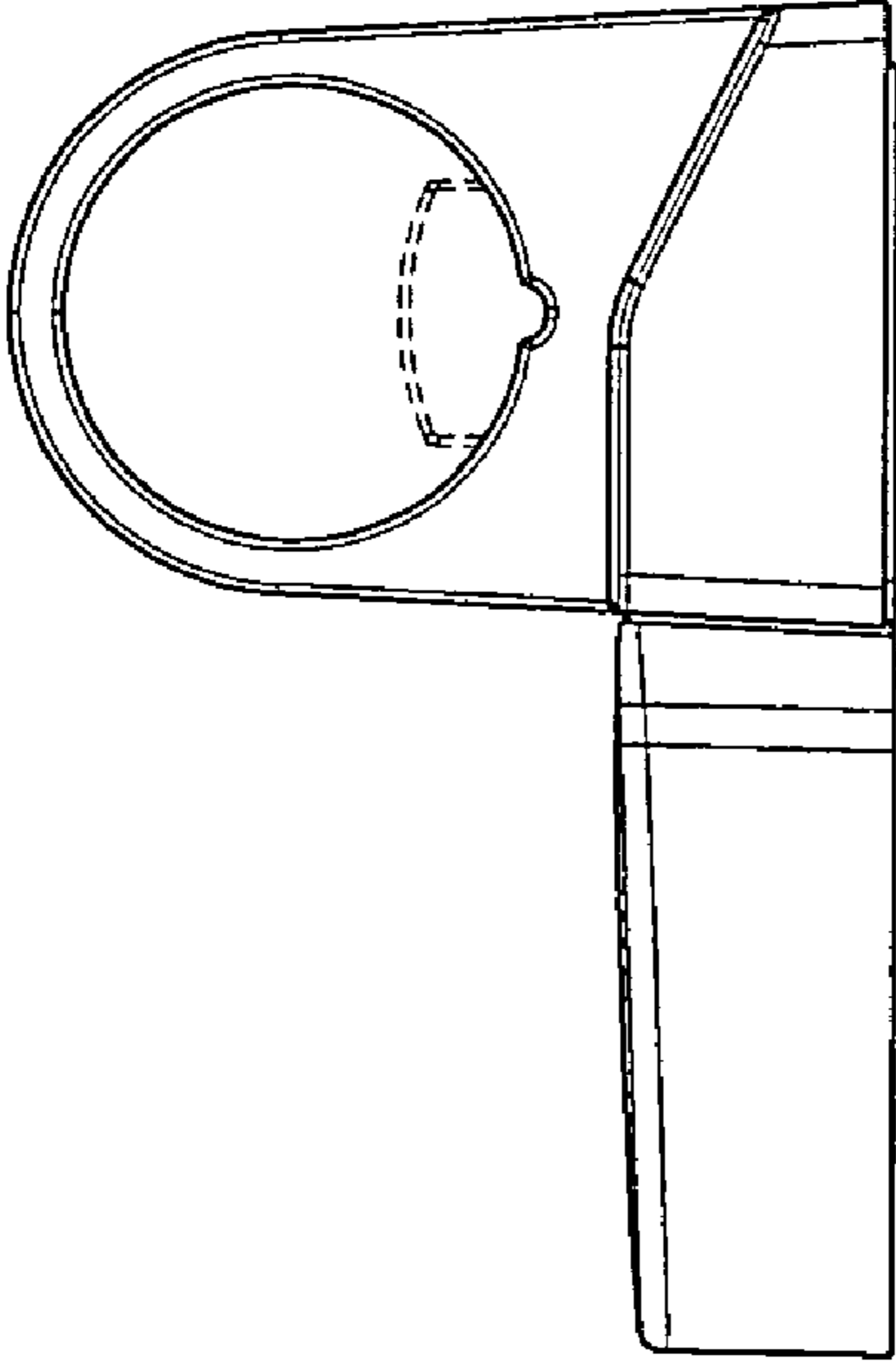


FIG. 5

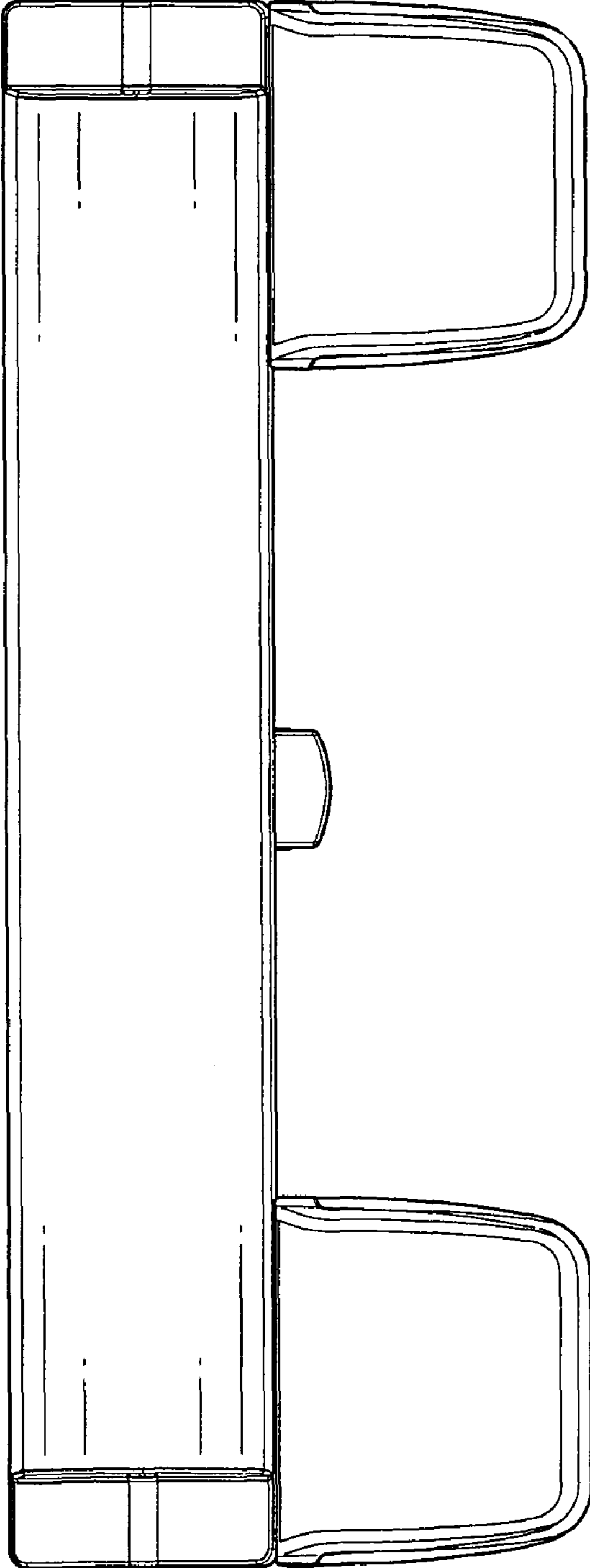


FIG. 6

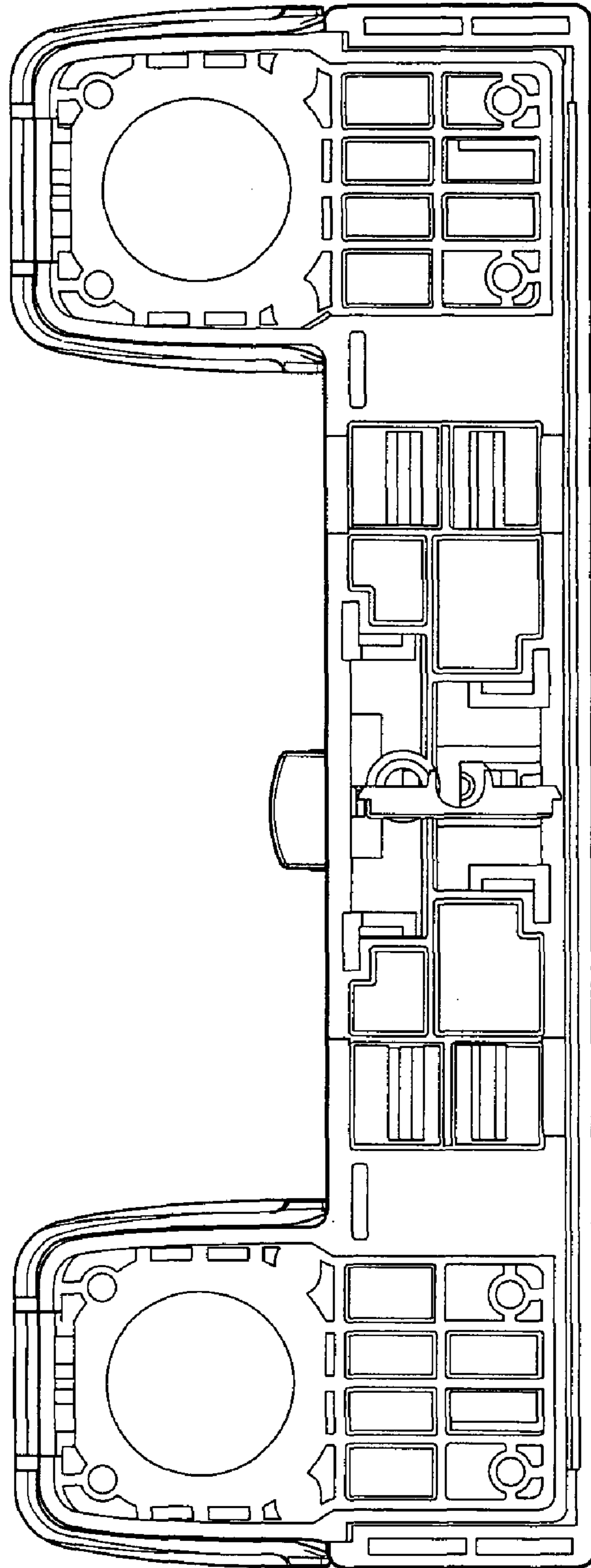


FIG. 7

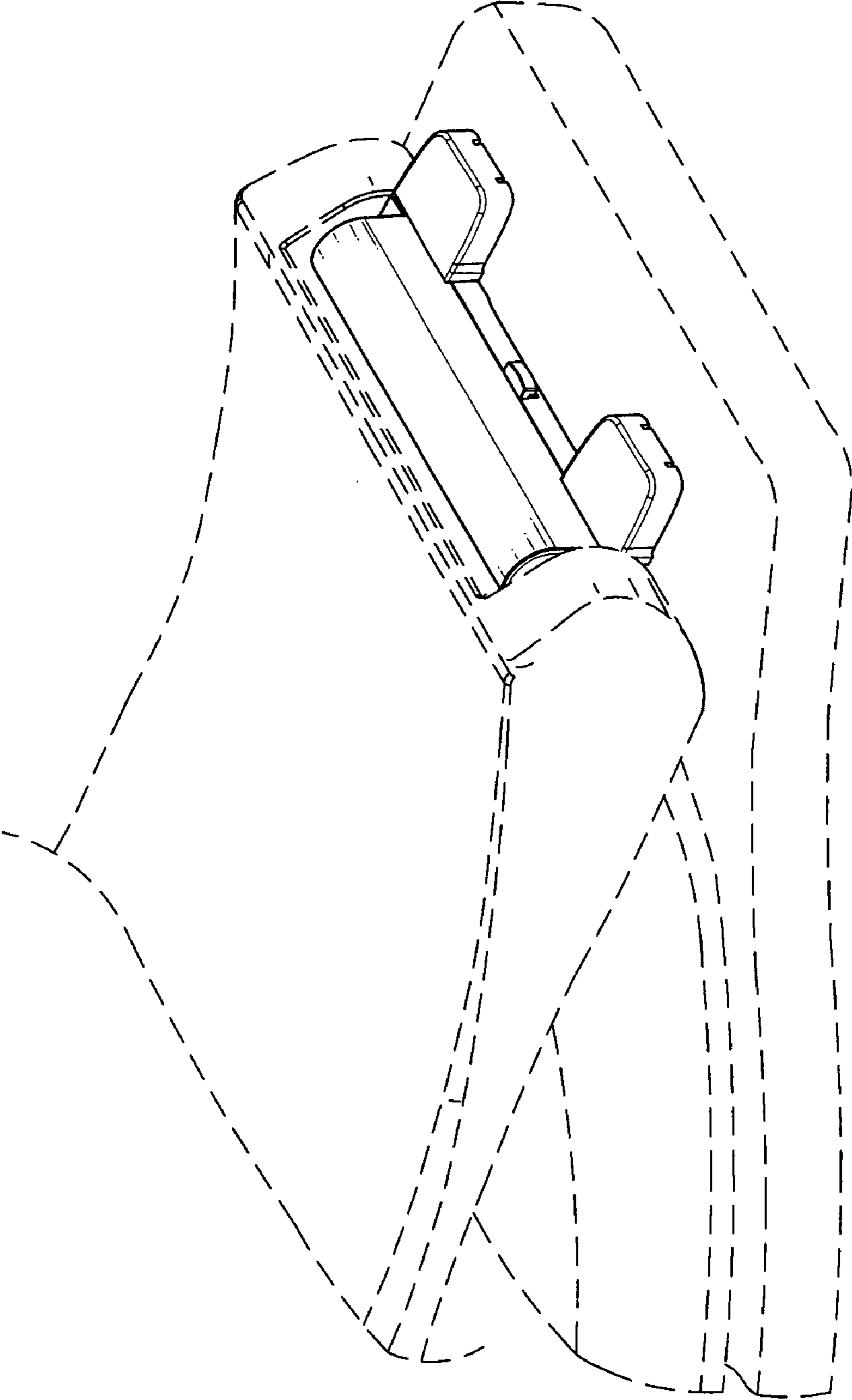


FIG. 8