



US00D622574S

(12) **United States Design Patent**
Garcia et al.

(10) **Patent No.:** **US D622,574 S**

(45) **Date of Patent:** **** Aug. 31, 2010**

(54) **CARABINEER WITH UTILITY KNIFE**

(75) Inventors: **Michael Garcia**, Oakland Park, FL
(US); **Glenn Robinson**, Coral Springs,
FL (US)

(73) Assignee: **IBT Holdings, Inc.**, Deerfield Beach, FL
(US)

(**) Term: **14 Years**

(21) Appl. No.: **29/348,656**

(22) Filed: **Jan. 27, 2010**

(51) **LOC (9) Cl.** **08-05**

(52) **U.S. Cl.** **D8/105**

(58) **Field of Classification Search** D8/99,
D8/58, 55, 52, 356, 107, 105, 21, 71, 14,
D8/34, 22, 367; D3/210; 7/160, 138, 128,
7/118, 158; 30/298.4, 162, 161, 155, 158
See application file for complete search history.

D501,878 S	2/2005	Goldberg	
D503,739 S	4/2005	Goldberg	
D504,149 S	4/2005	Goldberg	
6,979,143 B2	12/2005	Goldberg	
D513,579 S *	1/2006	Barber et al. D8/105
7,000,323 B1	2/2006	Hatcher et al.	
D526,555 S	8/2006	Kelleghan	
7,111,349 B2	9/2006	Goldberg	
D529,362 S *	10/2006	Barber et al. D8/99
7,126,484 B1	10/2006	Luquire	
D533,427 S	12/2006	Barber et al.	
D533,760 S	12/2006	Kelleghan	
7,254,856 B2	8/2007	Goldberg	
D562,383 S *	2/2008	Stokes D19/36
D588,885 S *	3/2009	Barber et al. D8/22
7,676,931 B2 *	3/2010	Knight et al. 30/158
7,681,316 B2 *	3/2010	Hawk et al. 30/160
2005/0081303 A1	4/2005	Goldberg	
2005/0144730 A1	7/2005	Barber et al.	

* cited by examiner

Primary Examiner—Austin Murphy

(74) *Attorney, Agent, or Firm*—Dan M. De La Rosa

(56) **References Cited**

U.S. PATENT DOCUMENTS

4,363,147 A *	12/1982	Deweese 7/158
5,270,909 A	12/1993	Weiss et al.	
D345,688 S *	4/1994	McLean et al. D8/356
D356,020 S *	3/1995	Costa D8/105
5,628,117 A	5/1997	Glesser	
5,822,867 A	10/1998	Sakai	
D407,297 S *	3/1999	Mihailovic D8/367
D436,305 S	1/2001	Schuster	
6,223,372 B1 *	5/2001	Barber 7/118
D444,685 S	7/2001	Shenkel et al.	
D449,438 S *	10/2001	Simond D3/210
6,470,522 B2	10/2002	Veltz et al.	
D472,701 S *	4/2003	Christophe D3/210
D474,095 S *	5/2003	Luquire D8/99
D475,591 S *	6/2003	Luquire D8/34
6,594,906 B1 *	7/2003	Sakai et al. 30/155
D484,770 S *	1/2004	Green D8/99
D485,059 S *	1/2004	Pestone D3/210

(57) **CLAIM**

The ornamental design for a carabineer with utility knife, as shown and described.

DESCRIPTION

FIG. 1 is a front perspective view of the carabineer with utility knife of the present invention showing my new design;

FIG. 2 is a side elevational view thereof;

FIG. 3 is another side elevational view thereof;

FIG. 4 is a front side elevational view thereof;

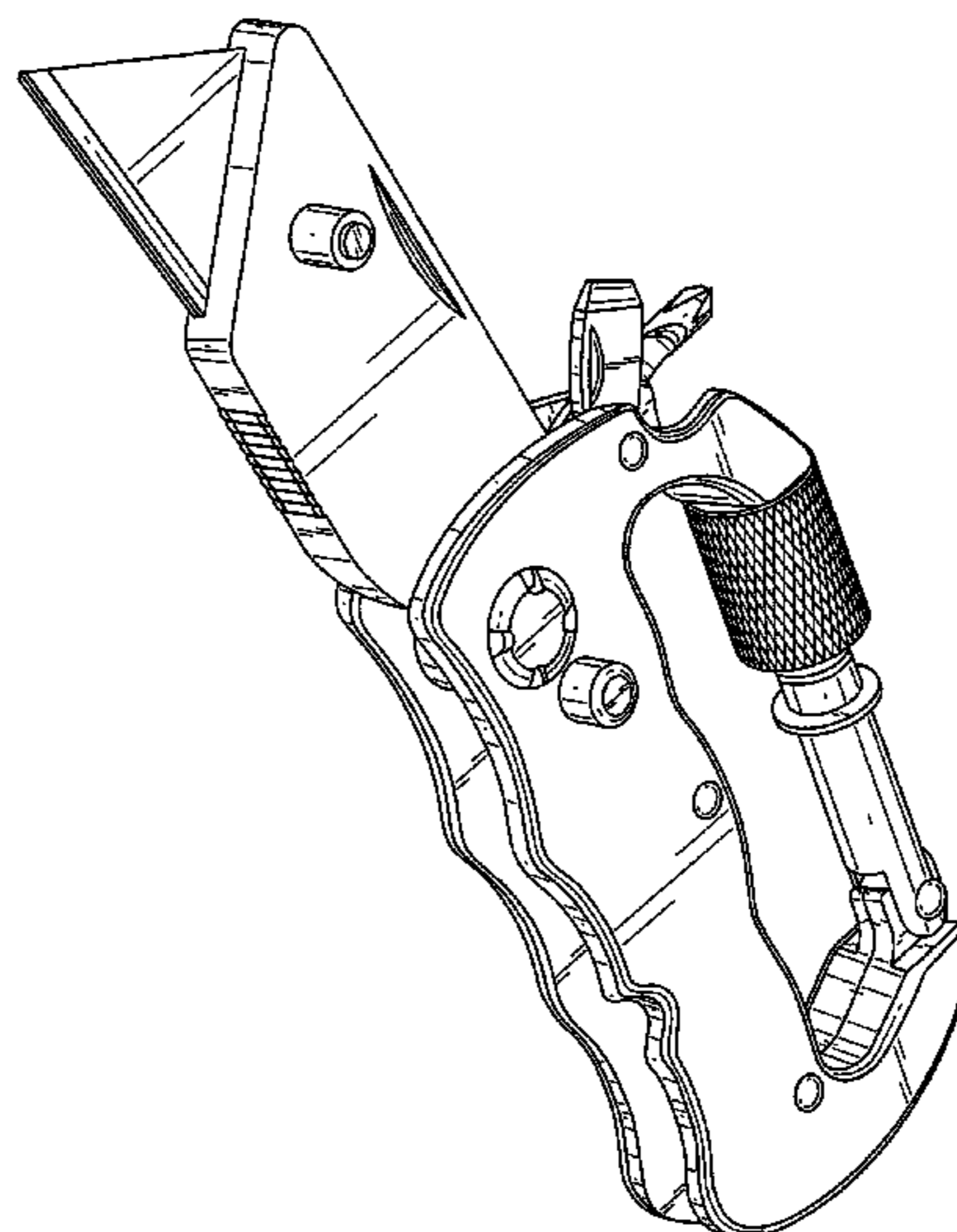
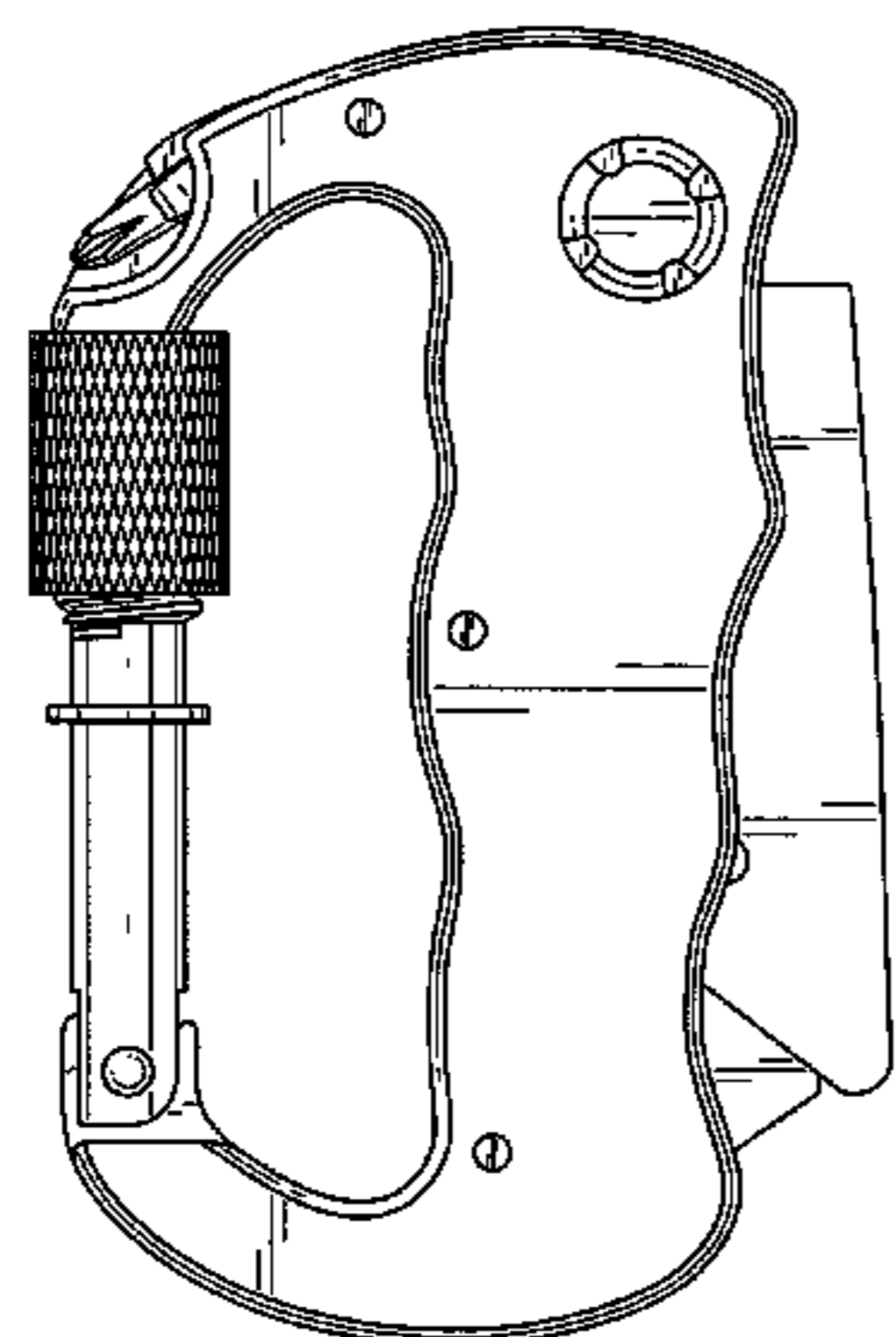
FIG. 5 is a back side elevational view thereof;

FIG. 6 is a top plan view thereof;

FIG. 7 is a bottom plan view thereof; and,

FIG. 8 is another perspective view of the carabineer with utility knife in an extended position.

1 Claim, 6 Drawing Sheets



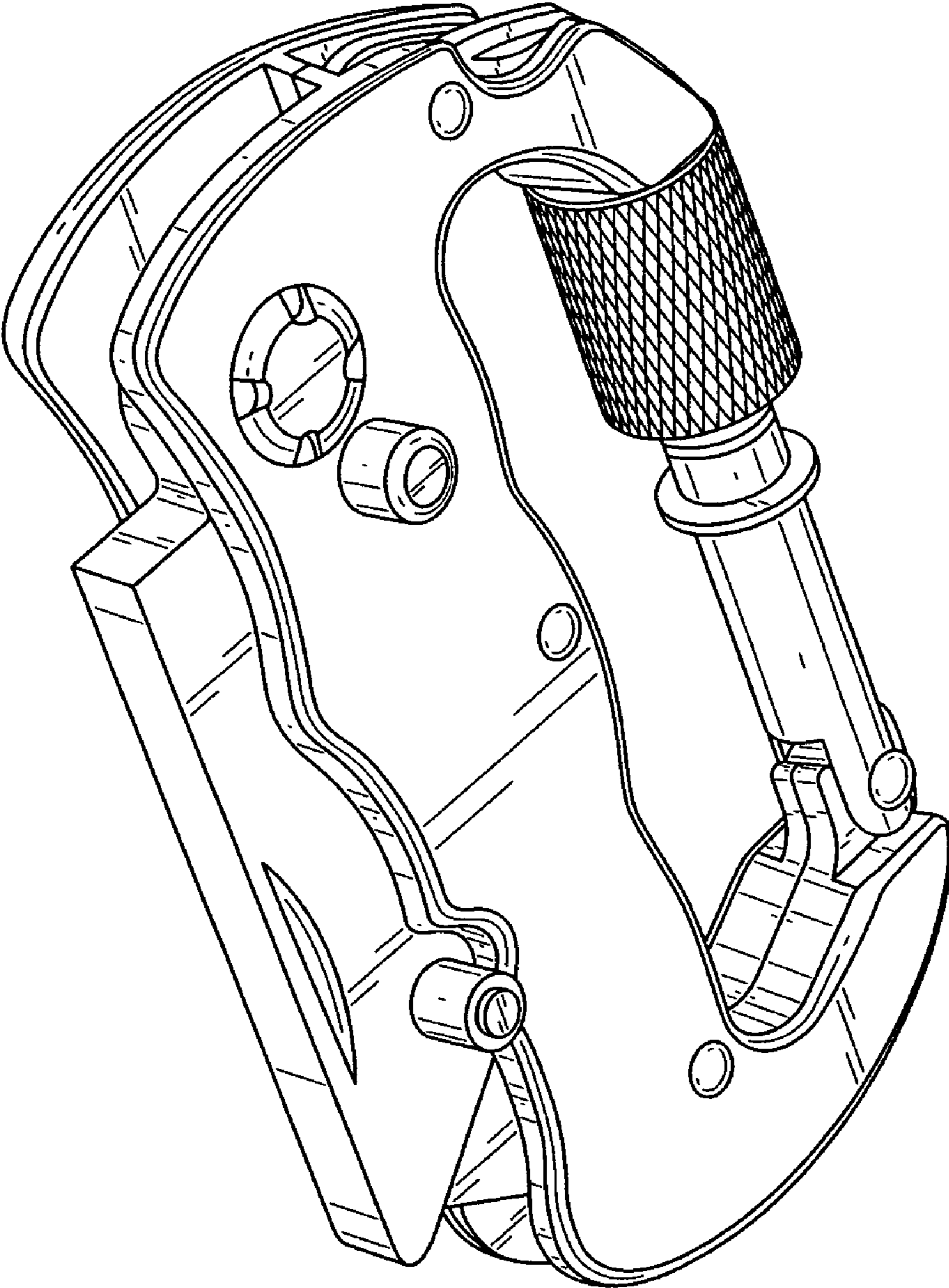


FIG. 1

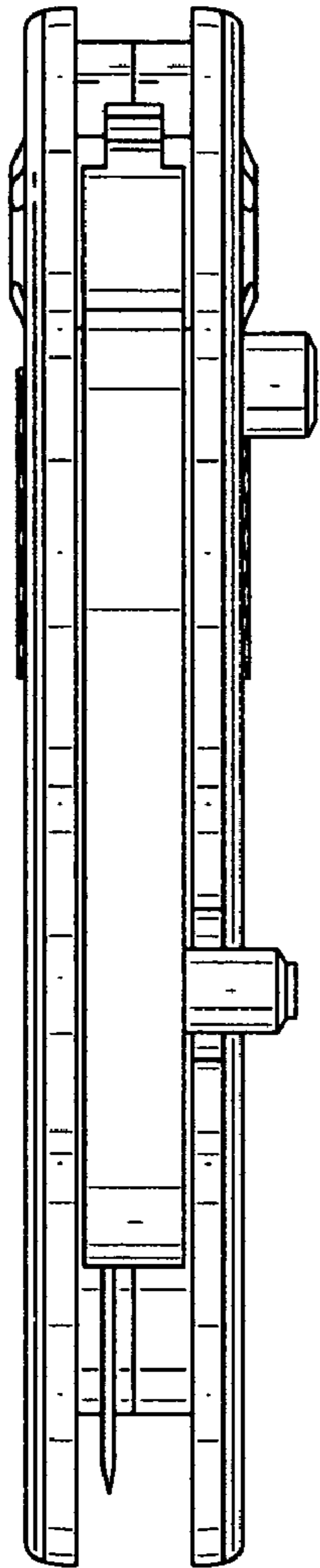


FIG. 2

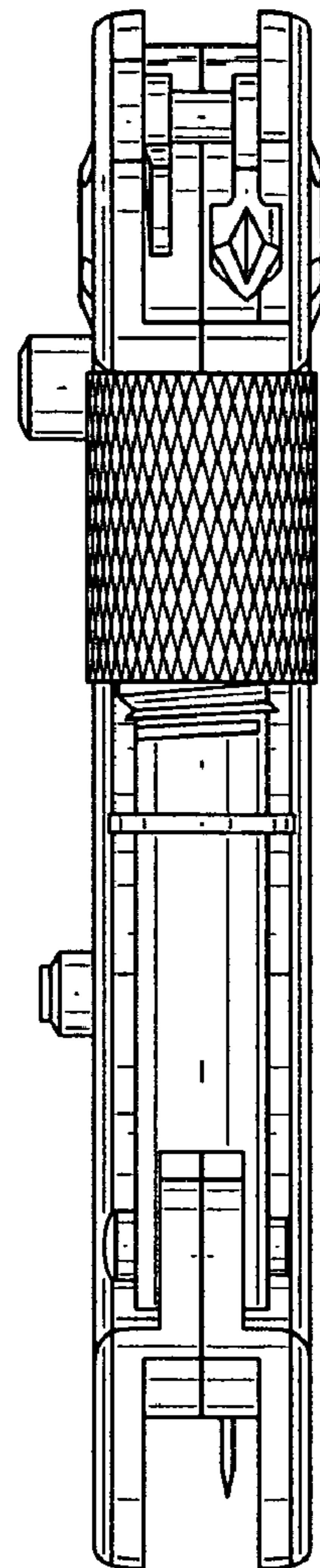


FIG. 3

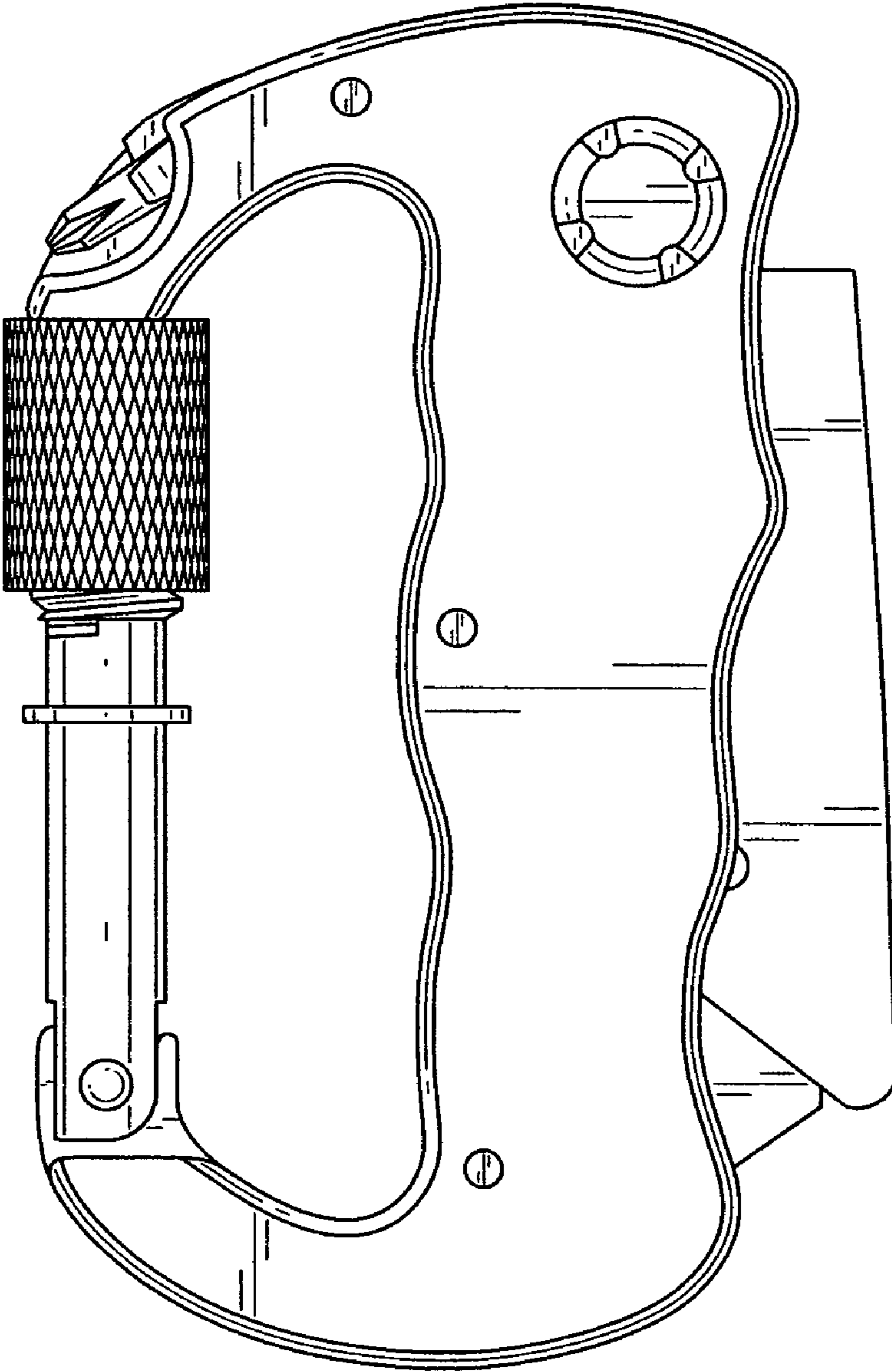


FIG. 4

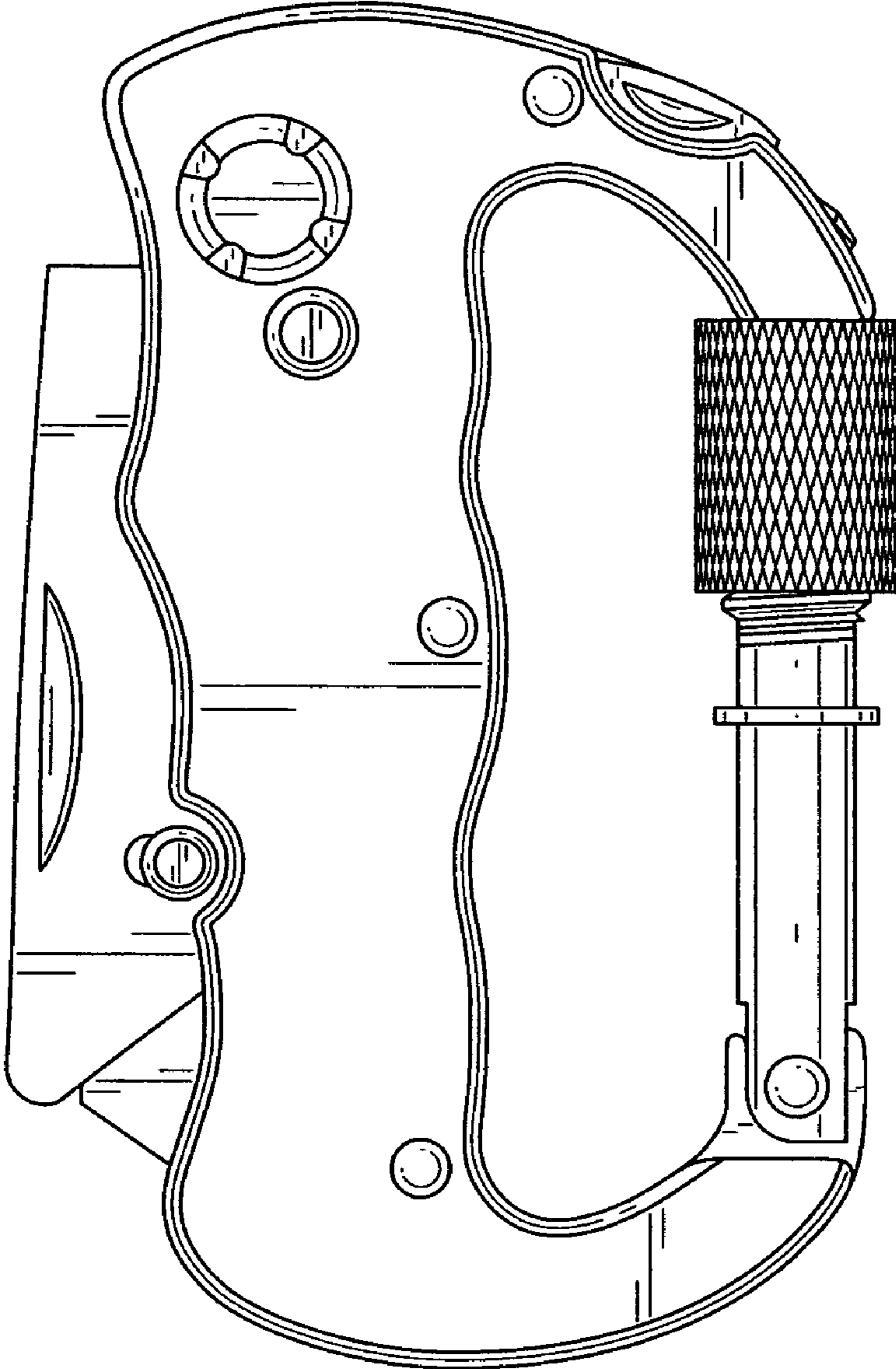


FIG. 5

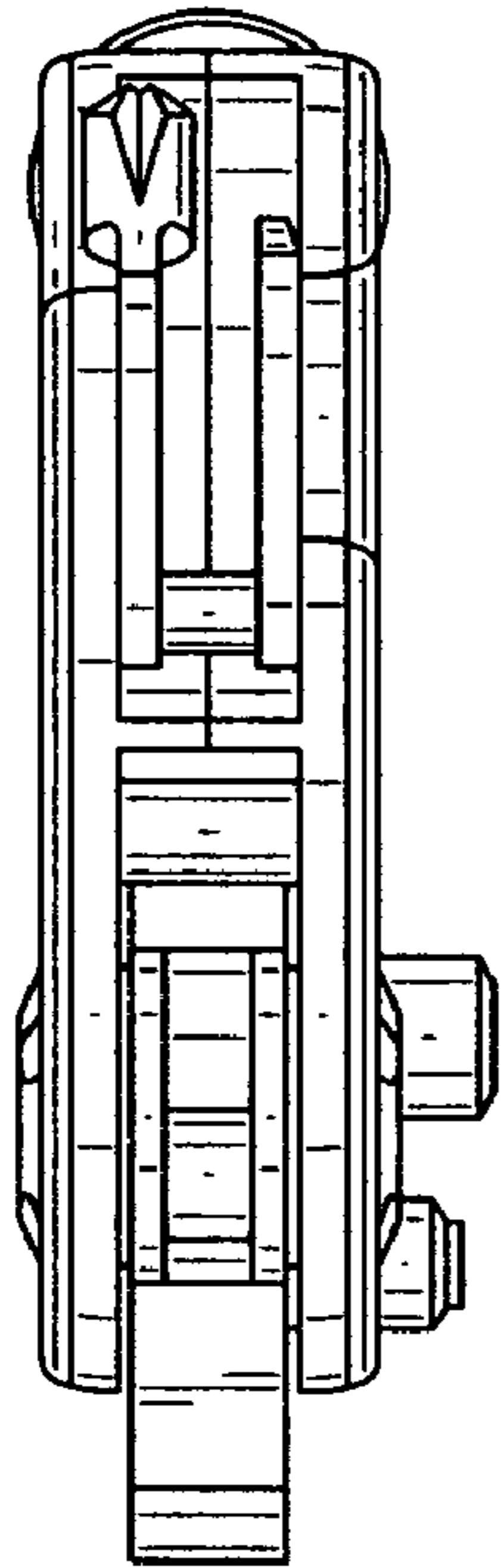


FIG. 6

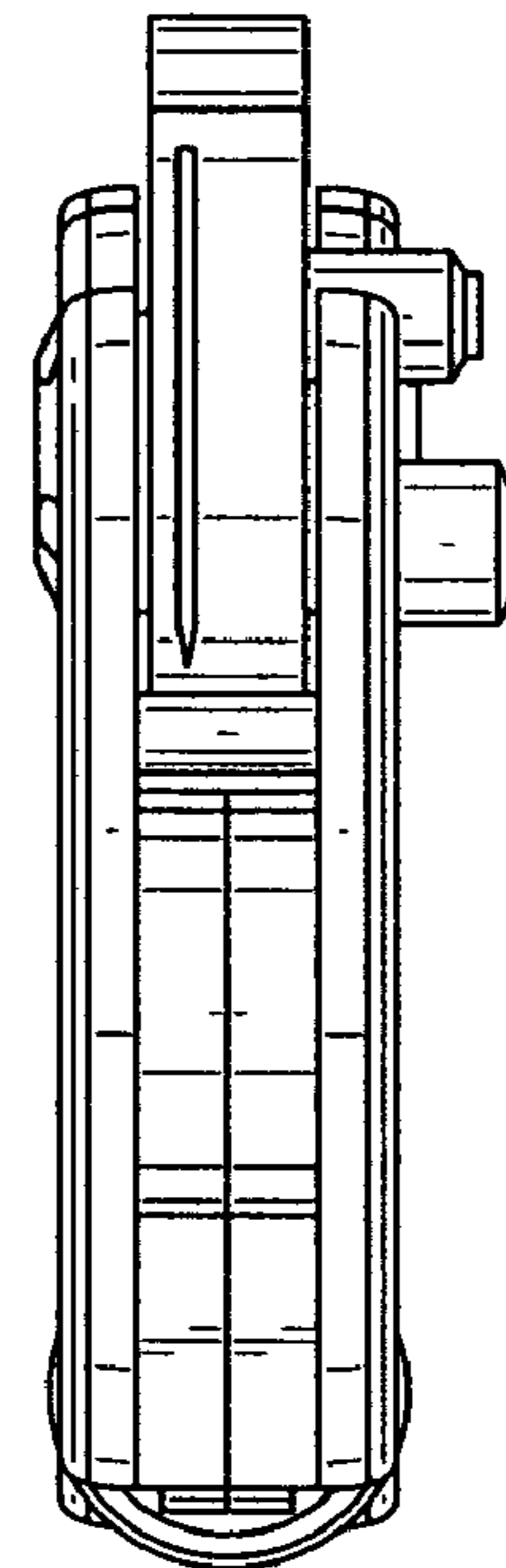


FIG. 7

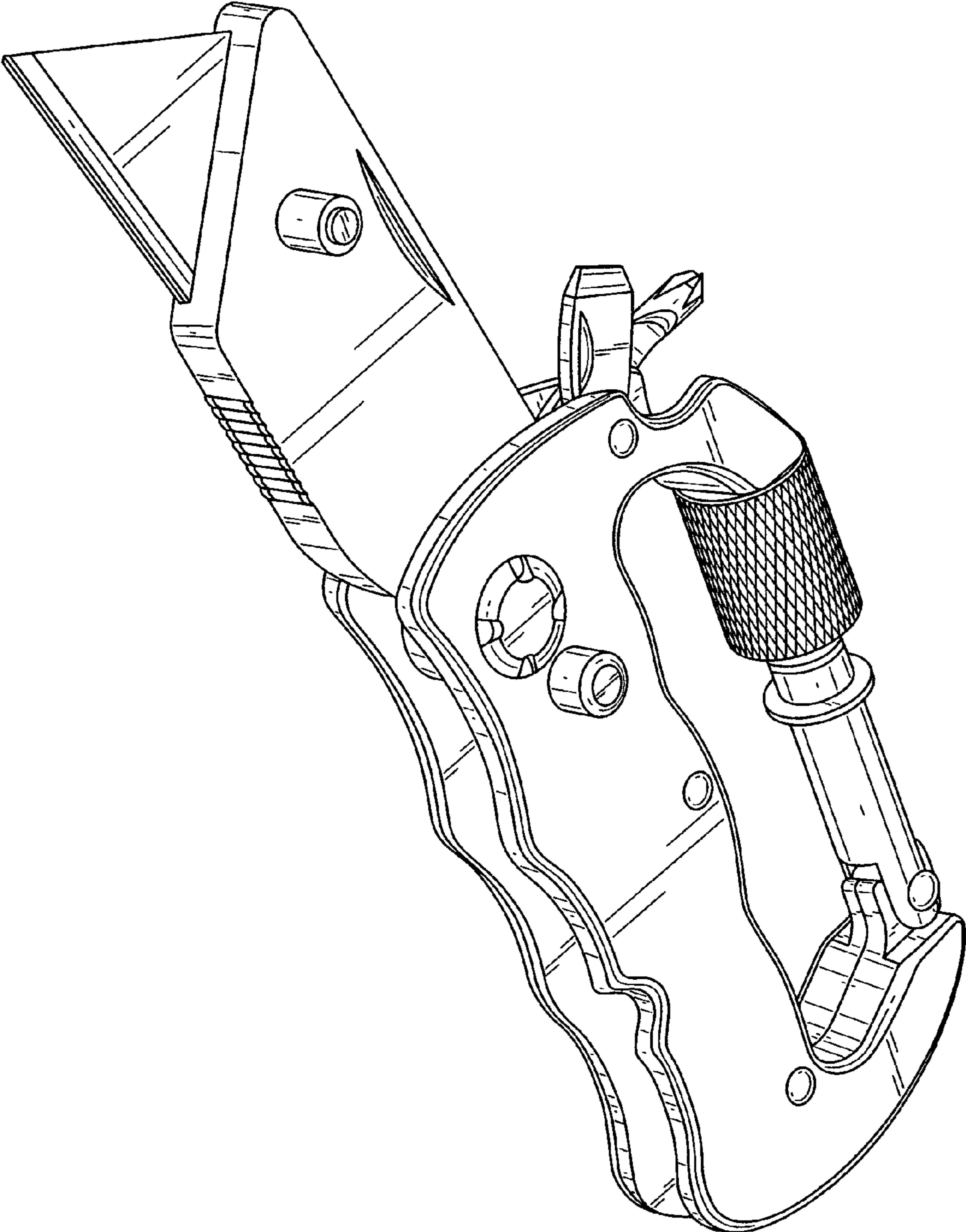


FIG. 8