



US00D622573S

(12) **United States Design Patent**
Friesen et al.

(10) **Patent No.:** **US D622,573 S**

(45) **Date of Patent:** **** Aug. 31, 2010**

(54) **KNIFE SHARPENER**

D569,703 S * 5/2008 Wu D8/93

(76) Inventors: **Brett A. Friesen**, P.O. Box 889, Detroit Lakes, MN (US) 56502; **Mitchel T. LeBrasseur**, 264 Westerly Cir., Ludlow, MA (US) 01056; **Ken Moncrief**, 210 N. Vine St., Richmond, VA (US) 23230

* cited by examiner

Primary Examiner—Philip S Hyder
Assistant Examiner—Roselynn Cody
(74) *Attorney, Agent, or Firm*—Neustel Law Offices

(**) Term: **14 Years**

(57) **CLAIM**

(21) Appl. No.: **29/336,197**

The ornamental design for a knife sharpener, as shown and described.

(22) Filed: **Apr. 29, 2009**

DESCRIPTION

Related U.S. Application Data

(63) Continuation of application No. 11/846,180, filed on Aug. 28, 2007, now abandoned.

FIG. 1 is an upper perspective view of a knife sharpener showing my new design.

(51) **LOC (9) Cl.** **08-05**

(52) **U.S. Cl.** **D8/93**

(58) **Field of Classification Search** D8/90,
D8/91, 92, 93; 76/82.2, 84, 86, 88; 451/552,
451/555, 556, 557, 558, 559

FIG. 2 is a cross-sectional view thereof taken along line 2-2 of FIG. 3.

FIG. 3 is a top view thereof.

FIG. 4 is a side view thereof.

FIG. 5 is an enlarged cutaway of a side view thereof.

FIG. 6 is a side view thereof with the guide members moved apart.

FIG. 7 is a top view of the knife sharpener of FIG. 6.

FIG. 8 is a side view of the knife sharpener with the guide members moved apart and a second guide member rotated; and,

FIG. 9 is a front view of the knife sharpener of FIG. 8 with a cross-section taken along line 9-9 in FIG. 8.

Any shading and cross-hatching are not features of the design but are utilized to illustrate the surface contours of the knife sharpener in the drawings.

See application file for complete search history.

(56) **References Cited**

U.S. PATENT DOCUMENTS

D276,886 S *	12/1984	Carter	D8/93
D280,695 S *	9/1985	Krueger	D8/93
5,046,385 A *	9/1991	Cozzini et al.	76/89.2
D392,869 S *	3/1998	Rieser	D8/93
6,634,257 B2 *	10/2003	Long et al.	76/86
D519,815 S *	5/2006	Friel et al.	D8/91

1 Claim, 9 Drawing Sheets

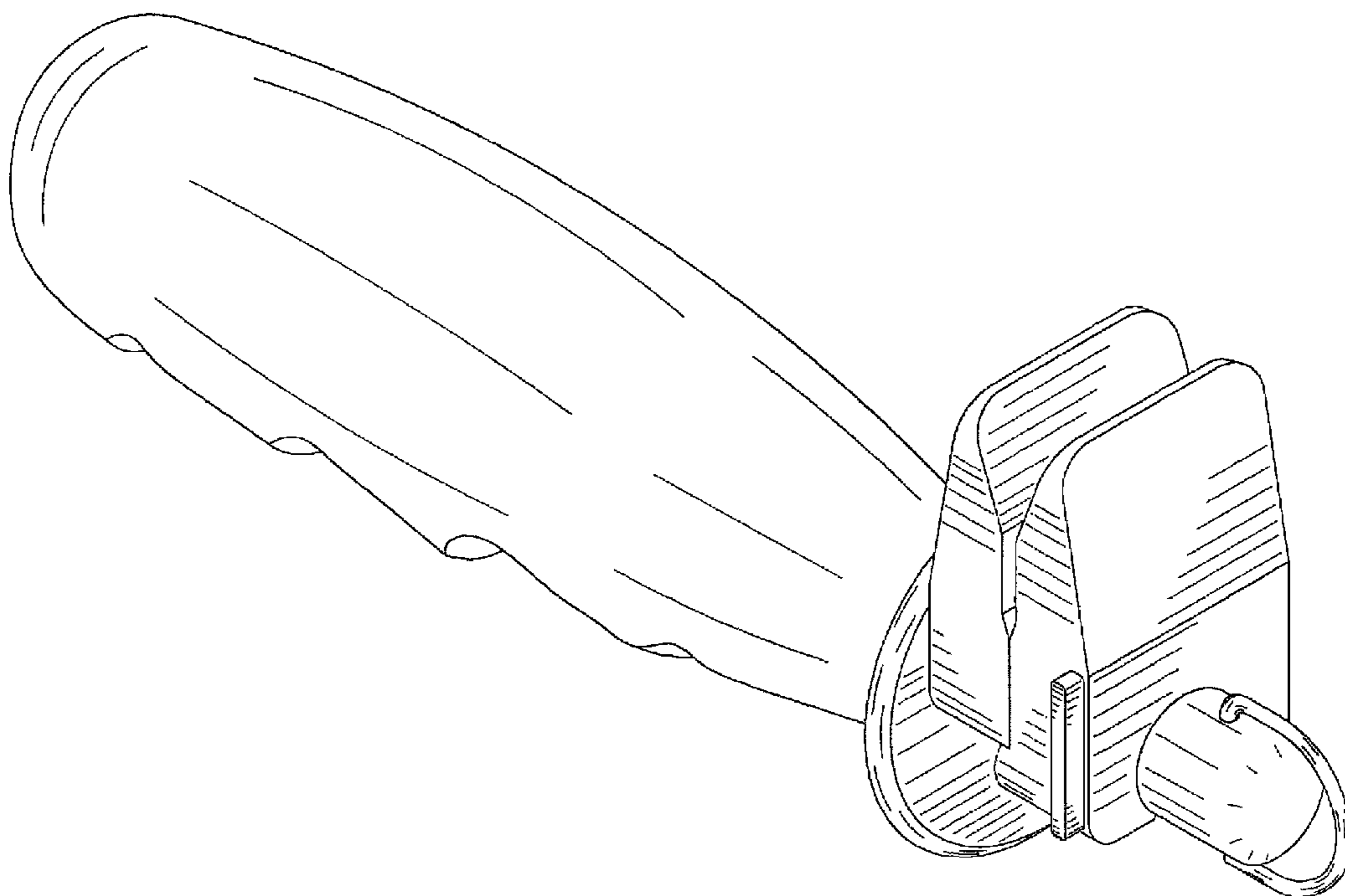


FIG. 1

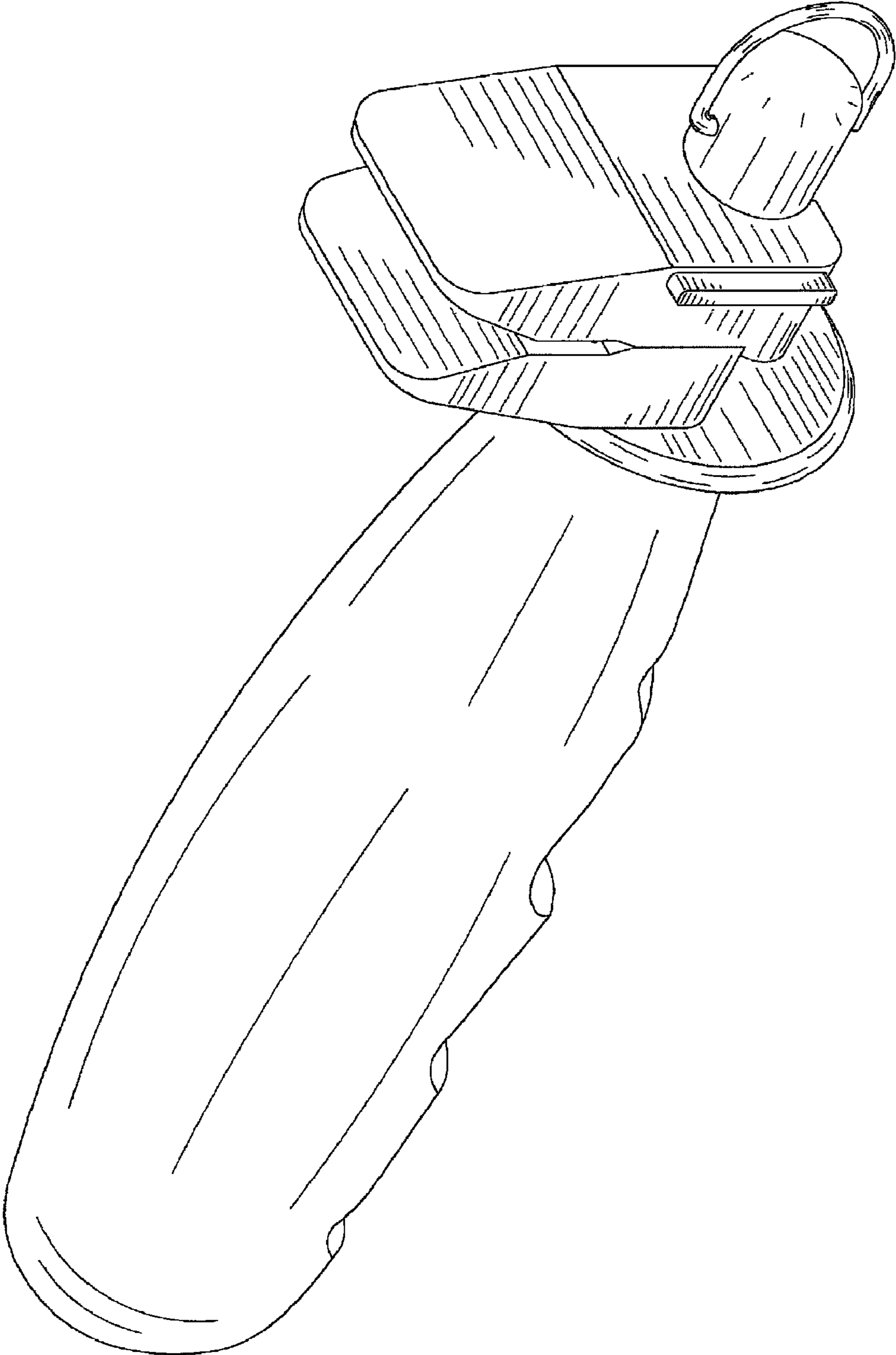
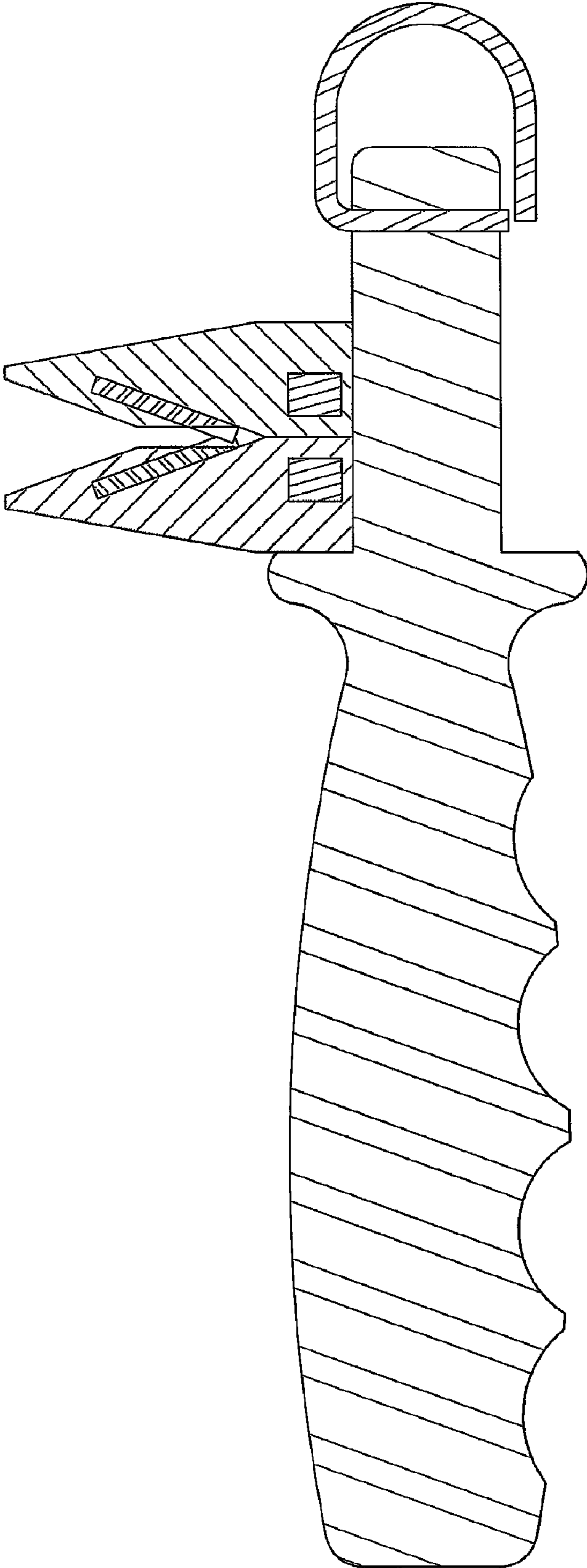


FIG. 2



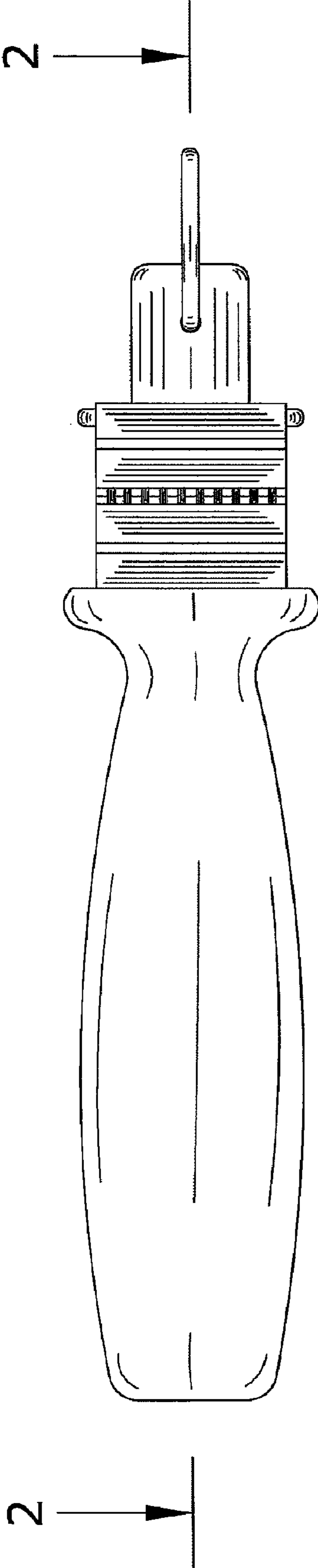


FIG. 3

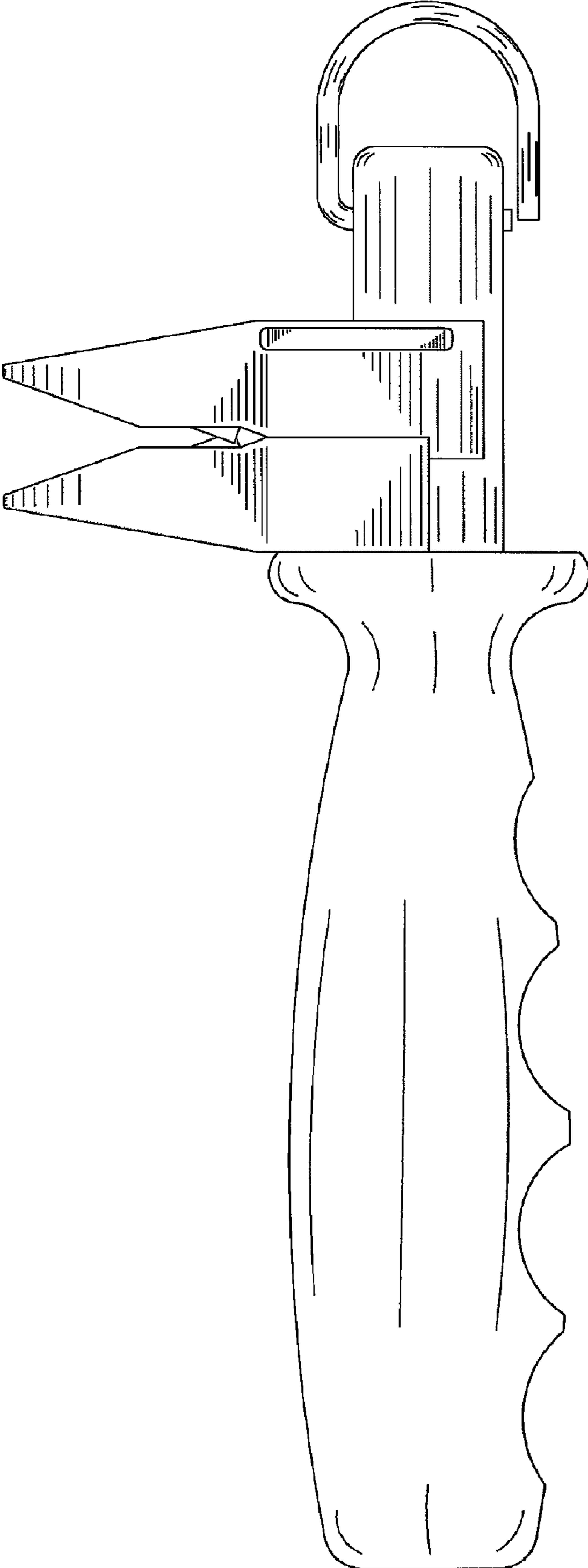


FIG. 4

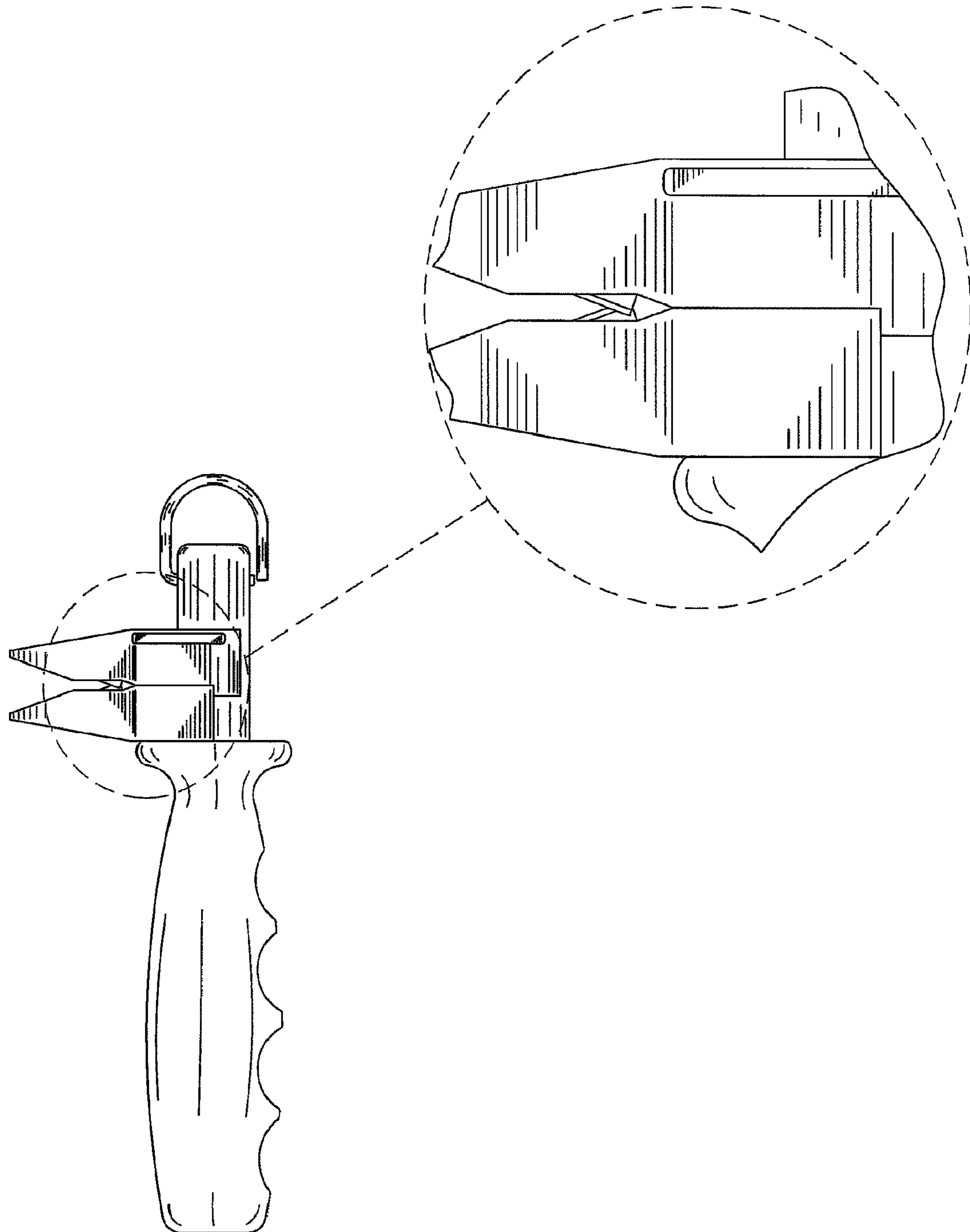


FIG. 5

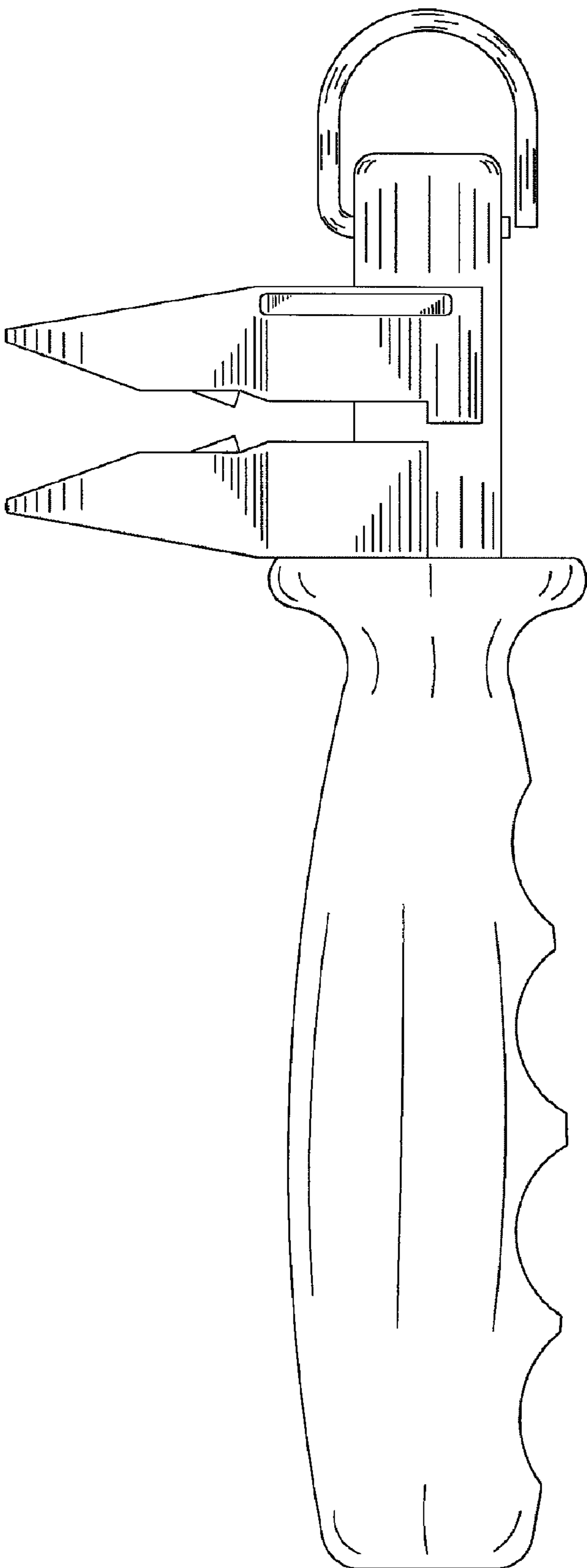


FIG. 6

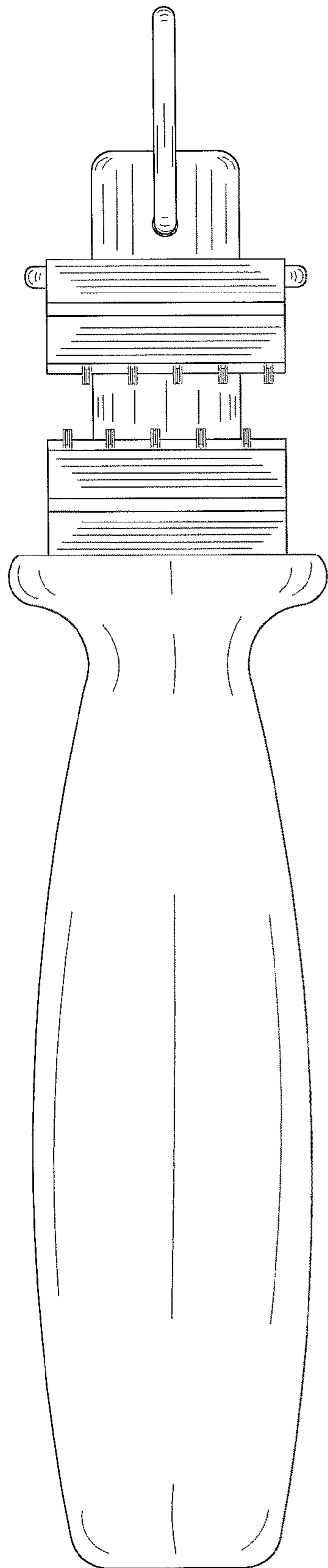
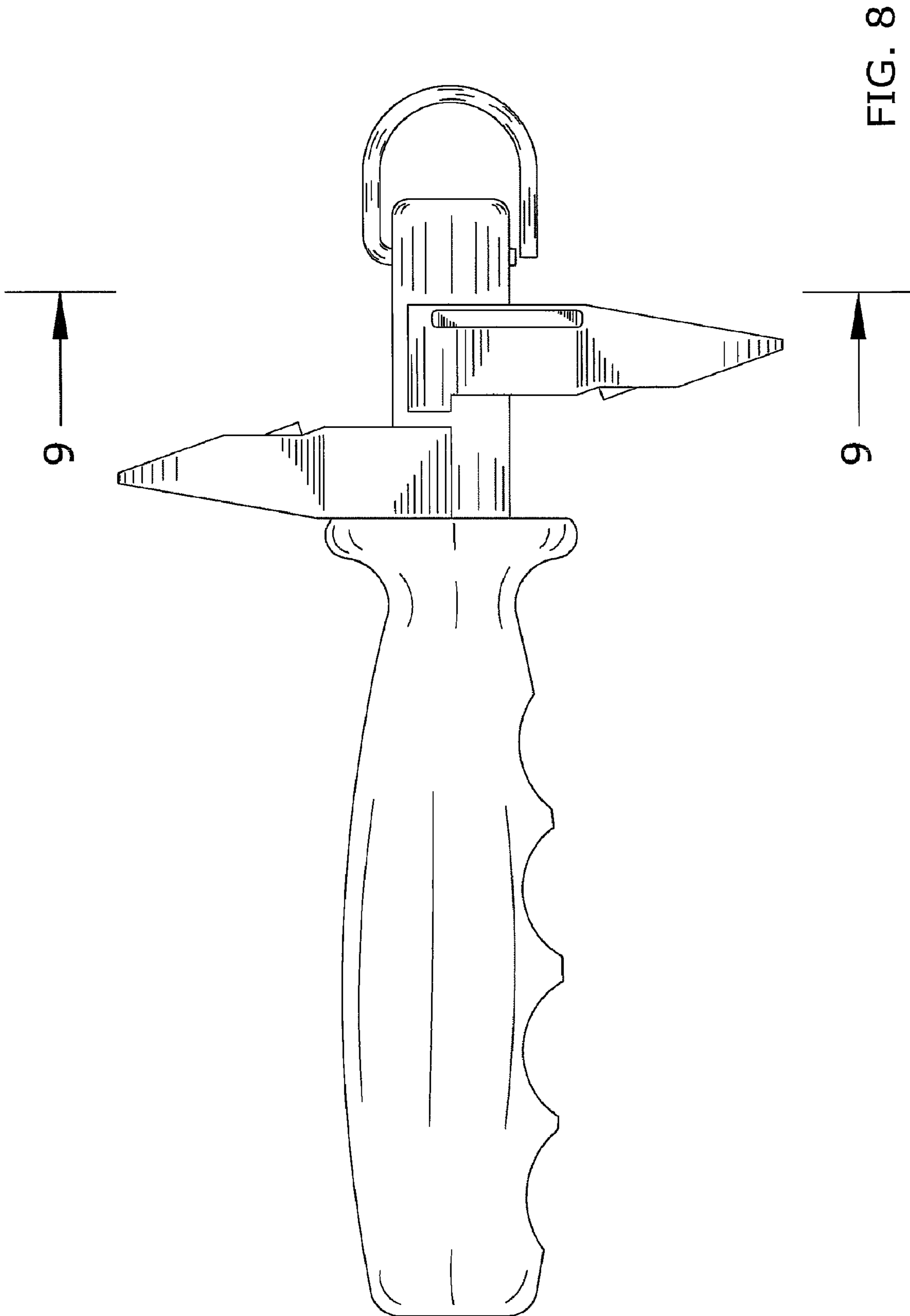


FIG. 7



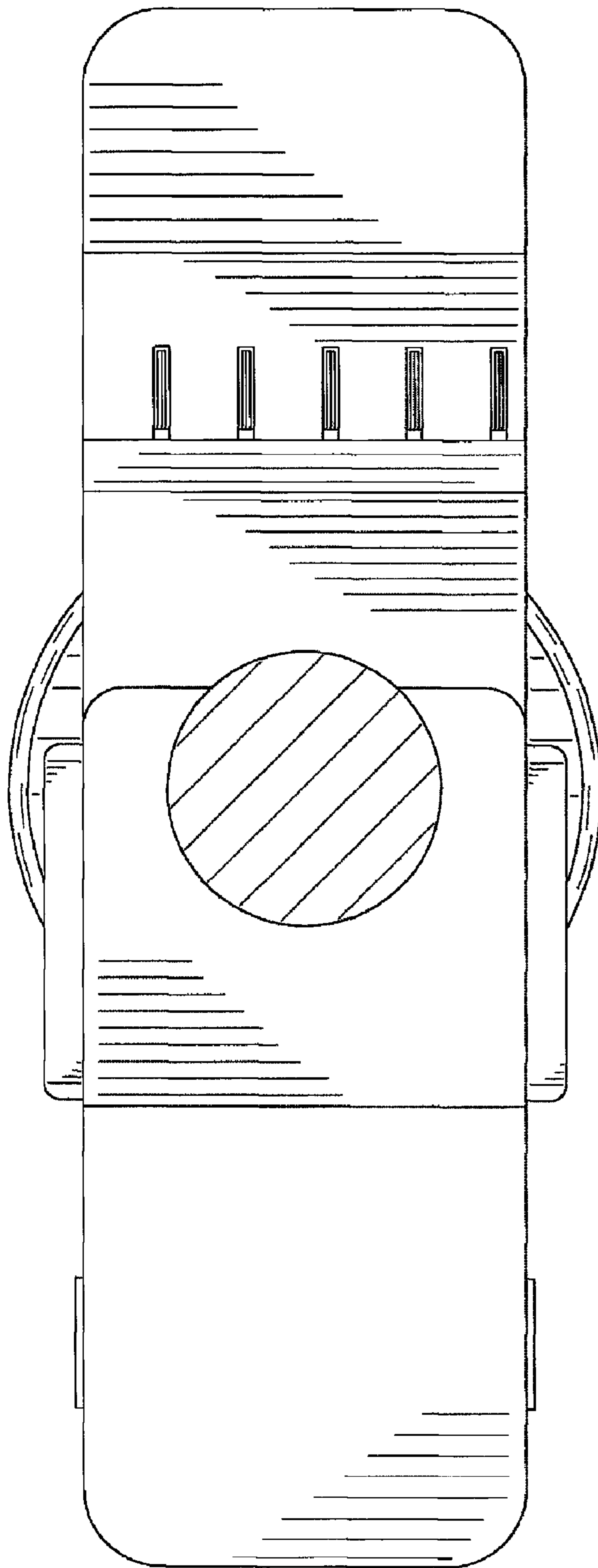


FIG. 9