



US00D622572S

(12) **United States Design Patent**  
**Chang**

(10) **Patent No.:** **US D622,572 S**

(45) **Date of Patent:** **\*\* Aug. 31, 2010**

(54) **HANDLE**

(76) Inventor: **Ming-Chi Chang**, 12F-4, No. 666, Sec. 2, Wuquan W. Rd., Nantun District, Taichung City (TW) 40878

(\*\*) Term: **14 Years**

(21) Appl. No.: **29/345,379**

(22) Filed: **Oct. 15, 2009**

(51) **LOC (9) Cl.** ..... **08-02**

(52) **U.S. Cl.** ..... **D8/80**

(58) **Field of Classification Search** ..... D8/82–87, D8/107; 81/177.1, 177.4, 436–440, 489  
See application file for complete search history.

(56) **References Cited**

**U.S. PATENT DOCUMENTS**

D256,882 S *	9/1980	Jansson	.....	D8/83
D398,508 S *	9/1998	Thompson et al.	.....	D8/83
D414,095 S *	9/1999	Hoepfl et al.	.....	D8/83
D477,980 S *	8/2003	Chang	.....	D8/83
D513,378 S *	1/2006	Lin	.....	D8/83
D520,325 S *	5/2006	Su	.....	D8/83
D526,184 S *	8/2006	Yu et al.	.....	D8/107
D536,234 S *	2/2007	Lin	.....	D8/107

D542,620 S *	5/2007	Thompson et al.	.....	D8/107
D550,531 S *	9/2007	Yeh	.....	D8/83
D600,991 S *	9/2009	Lai	.....	D8/83

\* cited by examiner

*Primary Examiner*—Philip S Hyder  
*Assistant Examiner*—Roselynn Cody

(57) **CLAIM**

The ornamental design for a handle, as shown and described.

**DESCRIPTION**

FIG. 1 is a perspective view of a handle showing my new design;

FIG. 2 is a front elevational view thereof;

FIG. 3 is a rear elevational view thereof;

FIG. 4 is a left side view thereof;

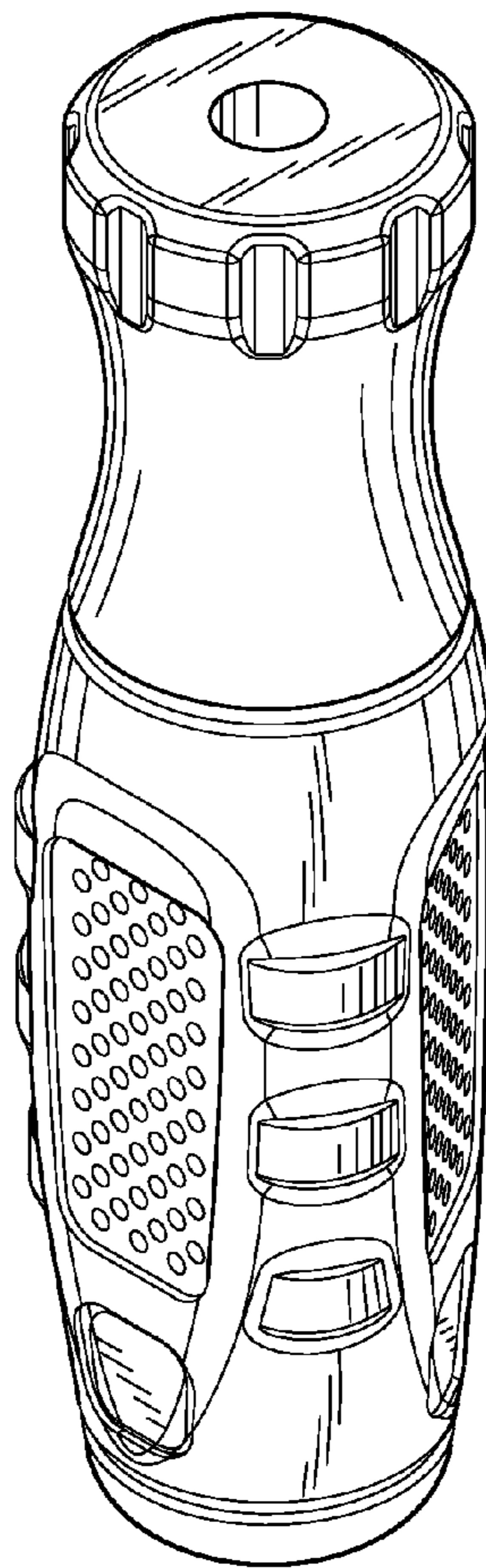
FIG. 5 is a right side view thereof;

FIG. 6 is a top plan view thereof;

FIG. 7 is a bottom plan view thereof; and,

FIG. 8 is a view showing the application thereof, wherein the broken line portion is for illustrative purpose only and forms no part of the claimed design.

**1 Claim, 7 Drawing Sheets**



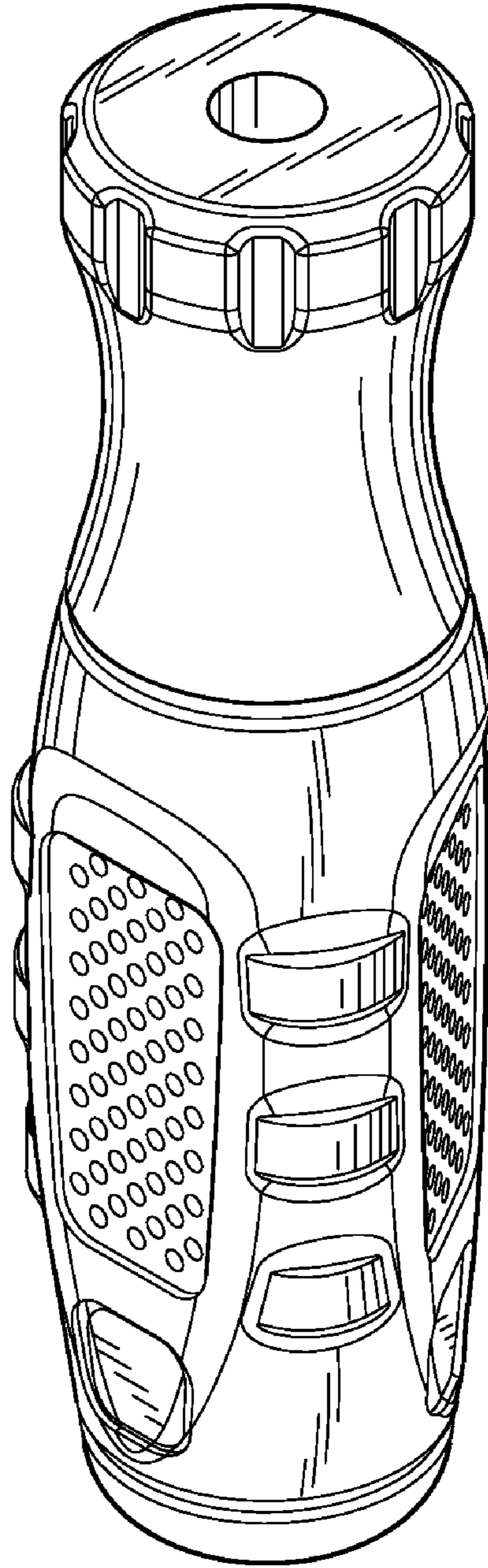


FIG. 1

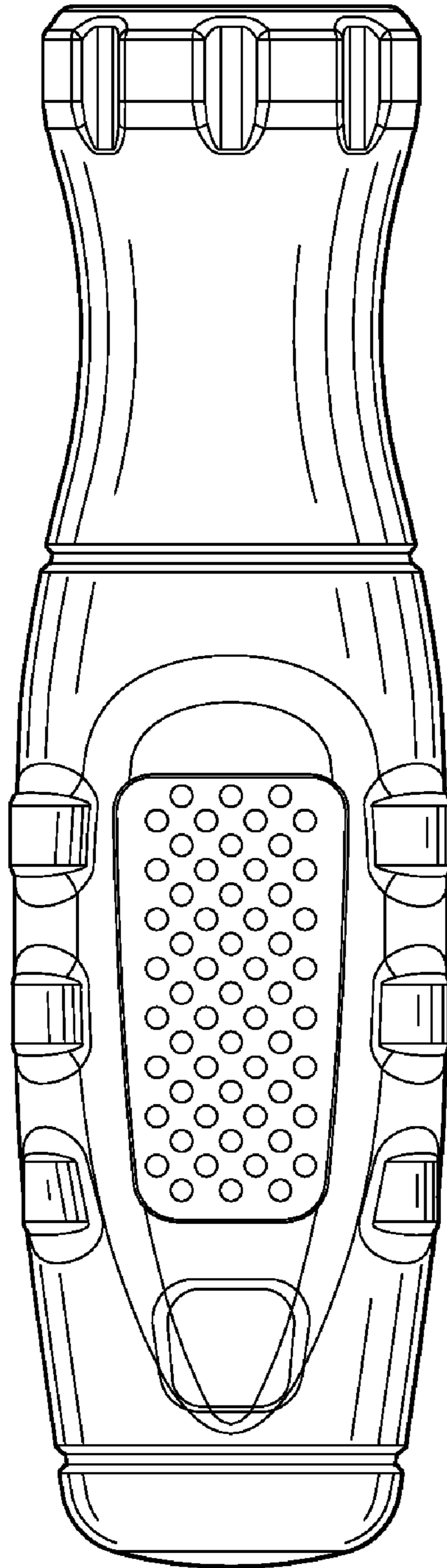


FIG. 2

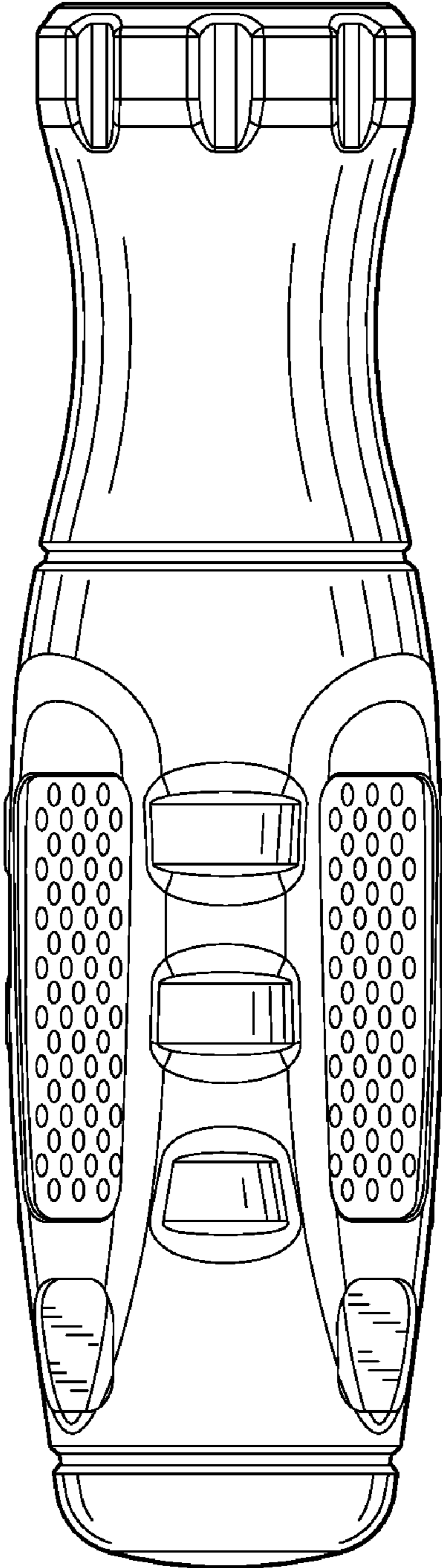


FIG. 3

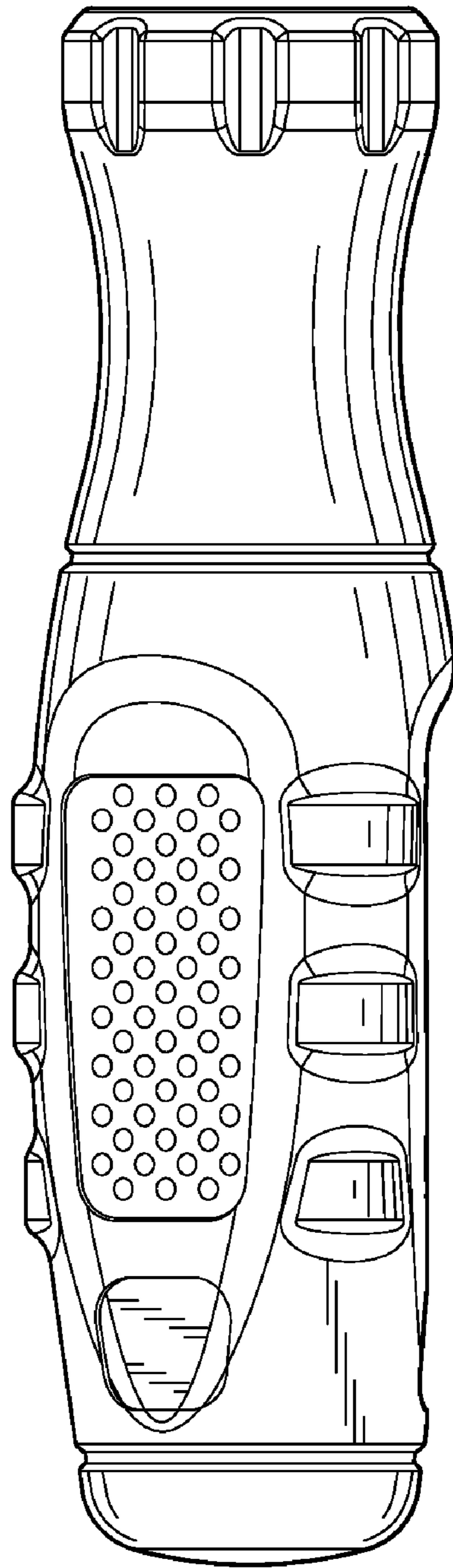


FIG. 4

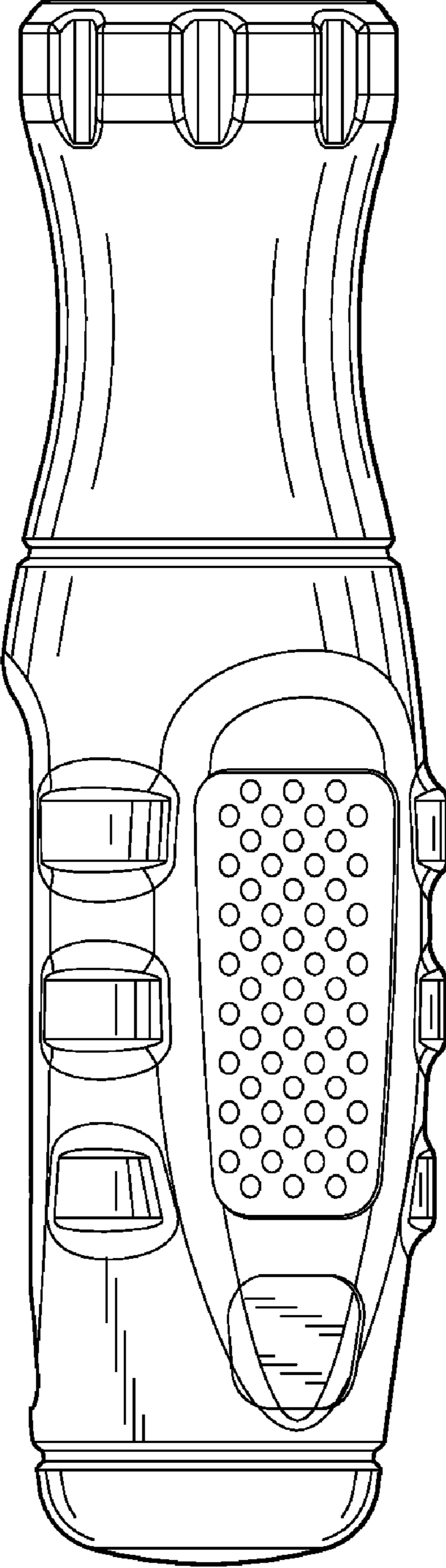


FIG. 5



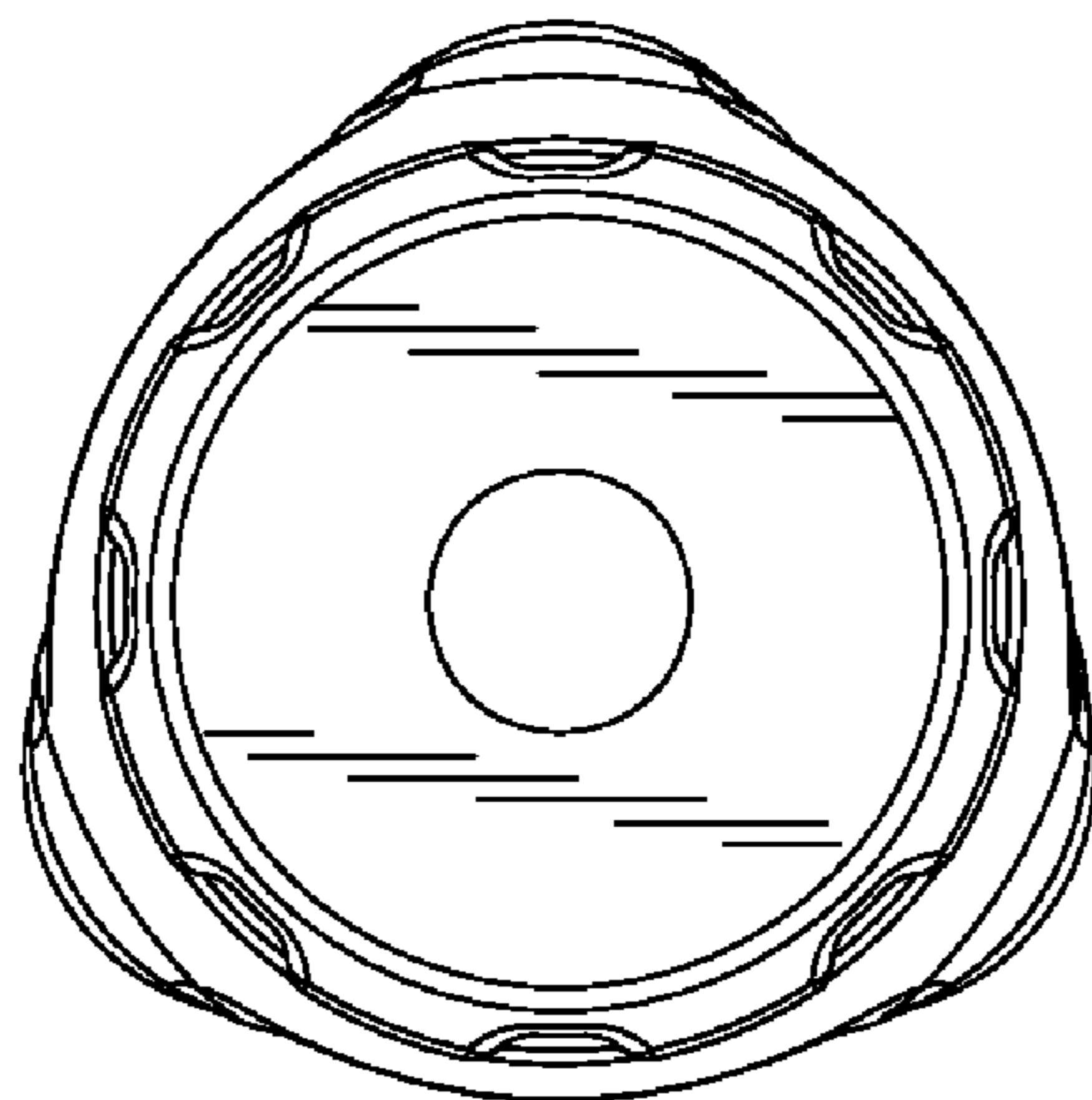


FIG. 6

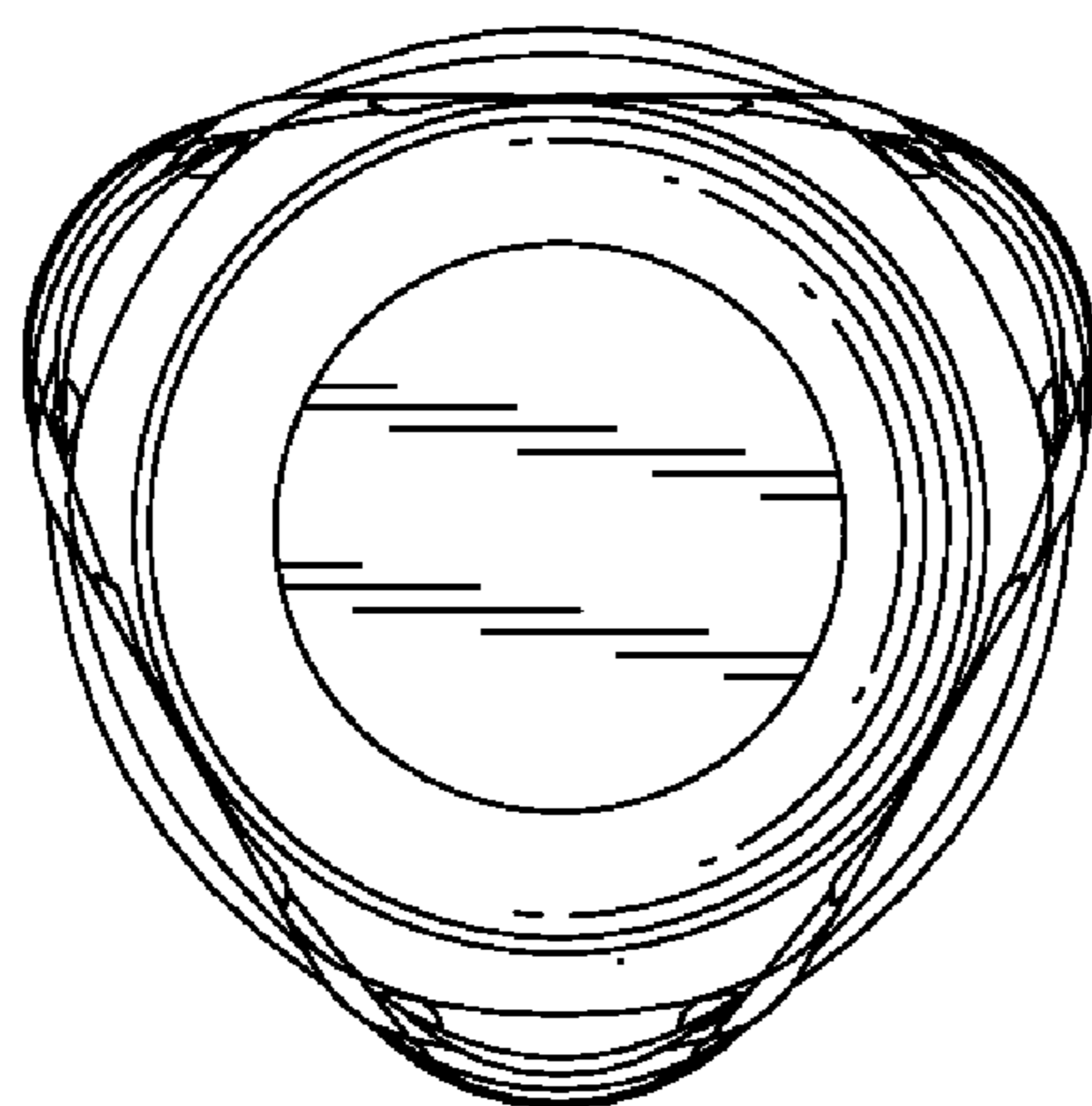


FIG. 7

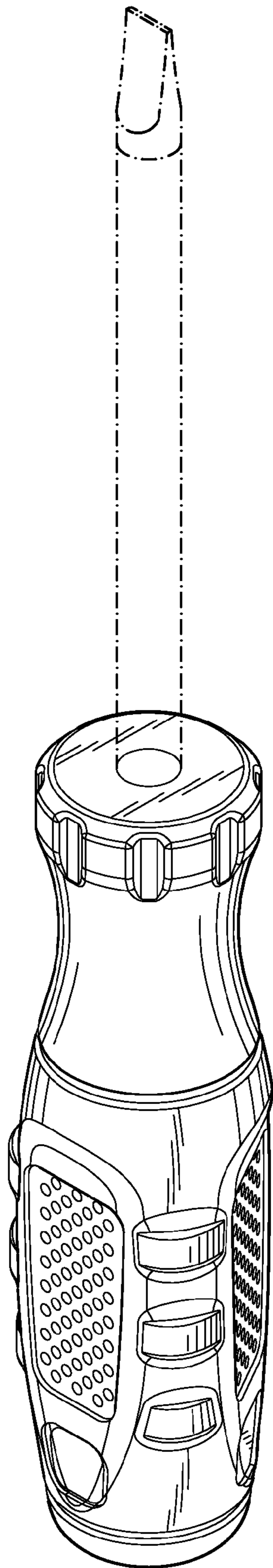


FIG. 8