



US00D622571S

(12) **United States Design Patent**  
**Arleekul et al.**

(10) **Patent No.:** **US D622,571 S**

(45) **Date of Patent:** **\*\* Aug. 31, 2010**

(54) **COMPACT DESKTOP STAPLER**

(75) Inventors: **Surapon Arleekul**, Sherman Oaks, CA (US); **Joel Marks**, Sherman Oaks, CA (US)

(73) Assignee: **WorkTools, Inc.**, Chatsworth, CA (US)

(\*\*) Term: **14 Years**

(21) Appl. No.: **29/348,171**

(22) Filed: **Dec. 7, 2009**

(51) **LOC (9) Cl.** ..... **19-02**

(52) **U.S. Cl.** ..... **D8/50**

(58) **Field of Classification Search** ..... D8/48, D8/49, 50, 61, 68, 69, 70; D19/72, 73, 65, D19/69; D21/532; D24/145; 7/158, 160; 227/4, 5, 6, 7, 8, 120, 127, 128, 131, 132, 227/134, 144, 156, 175.1; 606/139, 143, 606/153, 219

See application file for complete search history.

(56) **References Cited**

**U.S. PATENT DOCUMENTS**

|           |      |         |                   |       |         |
|-----------|------|---------|-------------------|-------|---------|
| 6,918,525 | B2 * | 7/2005  | Marks             | ..... | 227/120 |
| D513,159  | S *  | 12/2005 | Marks et al.      | ..... | D8/50   |
| D514,906  | S *  | 2/2006  | Marks et al.      | ..... | D8/50   |
| 7,118,019 | B2 * | 10/2006 | Marks             | ..... | 227/119 |
| 7,178,709 | B2 * | 2/2007  | Marks             | ..... | 227/107 |
| D542,613  | S *  | 5/2007  | Marks             | ..... | D8/50   |
| D567,043  | S *  | 4/2008  | Marks et al.      | ..... | D8/50   |
| D569,700  | S *  | 5/2008  | Wakefield et al.  | ..... | D8/50   |
| D572,549  | S *  | 7/2008  | Sudmalis et al.   | ..... | D8/50   |
| D574,682  | S *  | 8/2008  | Cunningham et al. | ..... | D8/50   |

|              |      |         |                   |       |         |
|--------------|------|---------|-------------------|-------|---------|
| D574,683     | S *  | 8/2008  | Cunningham et al. | ..... | D8/50   |
| D600,086     | S *  | 9/2009  | Marks et al.      | ..... | D8/50   |
| 2004/0232192 | A1 * | 11/2004 | Marks             | ..... | 227/120 |
| 2005/0127129 | A1 * | 6/2005  | Marks             | ..... | 227/134 |
| 2005/0139631 | A1 * | 6/2005  | Marks             | ..... | 227/134 |
| 2006/0213948 | A1 * | 9/2006  | Marks             | ..... | 227/134 |
| 2006/0213949 | A1 * | 9/2006  | Marks             | ..... | 227/134 |
| 2007/0125823 | A1 * | 6/2007  | Marks             | ..... | 227/132 |
| 2008/0302853 | A1 * | 12/2008 | Marks             | ..... | 227/132 |

\* cited by examiner

*Primary Examiner*—Austin Murphy

(57) **CLAIM**

We claim the ornamental design for a compact desktop stapler, as shown and described.

**DESCRIPTION**

FIG. 1 is a right side perspective view of a compact desktop stapler showing our new design;

FIG. 2 is a front elevational view of showing our new design

FIG. 3 is a rear elevational view showing our new design;

FIG. 4 is a right side elevational view showing our new design;

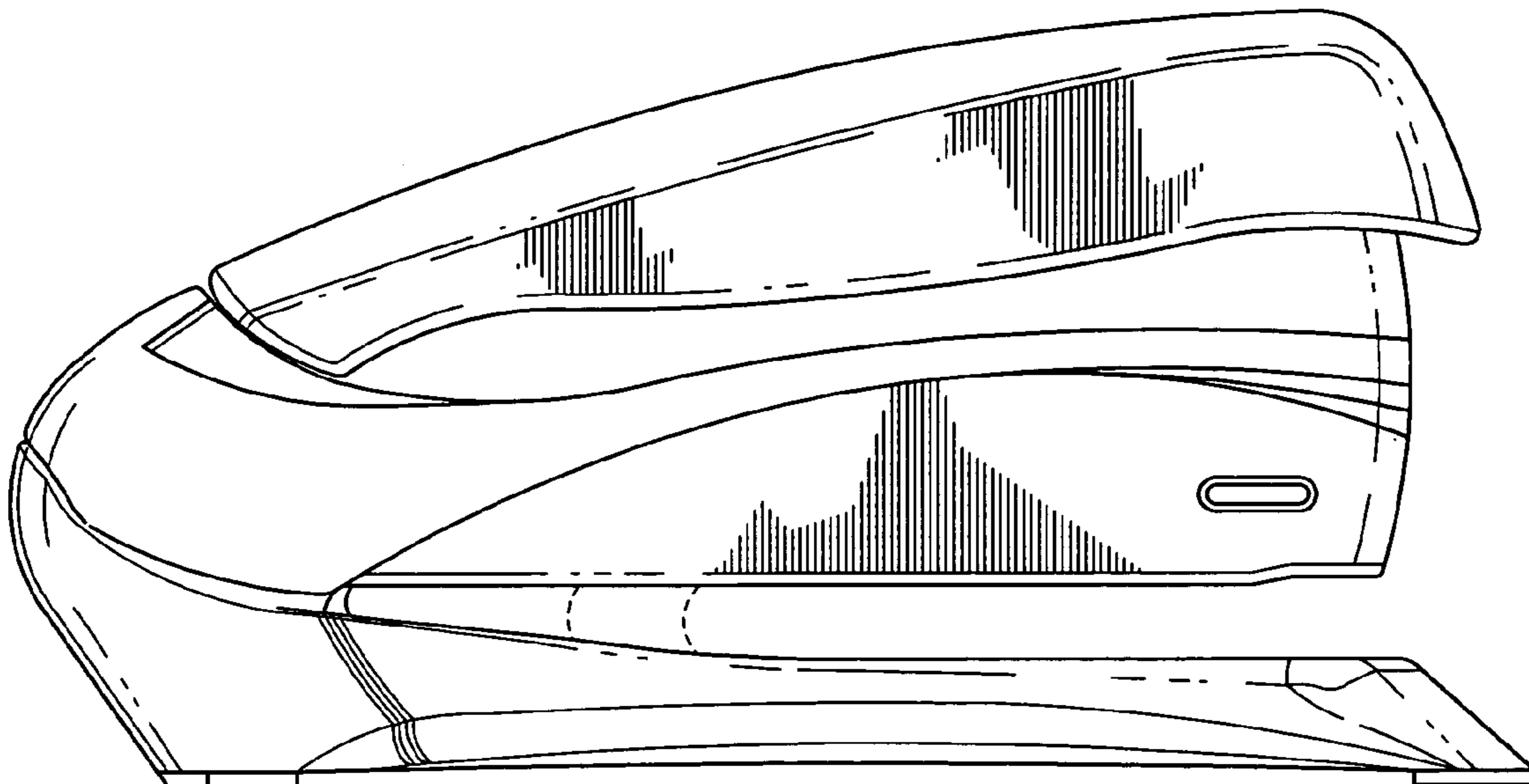
FIG. 5 is a left side elevational view showing our new design;

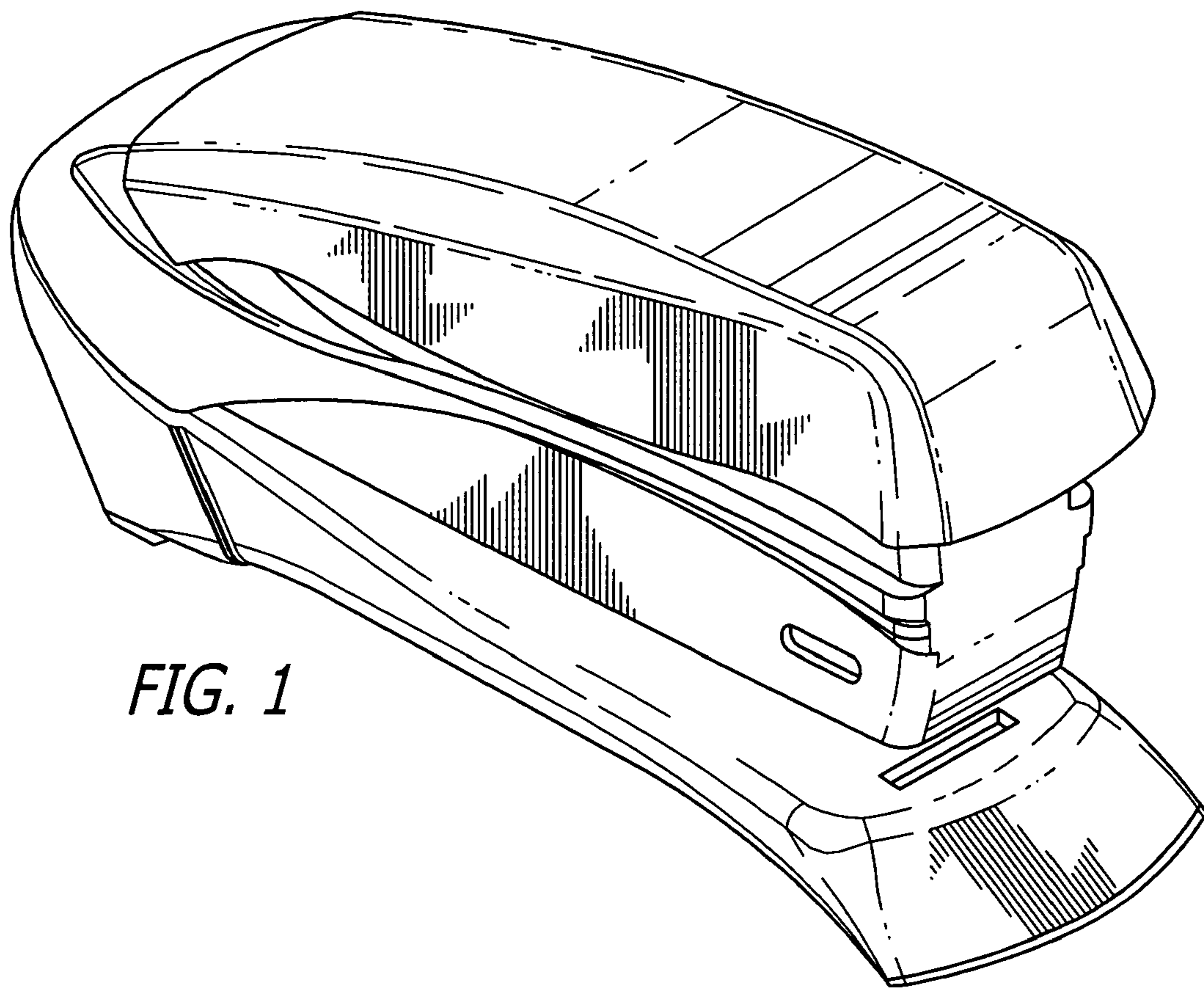
FIG. 6 is a top plan view showing our new design; and,

FIG. 7 is a bottom plan view showing our new design.

The broken lines shown in the drawings represent unclaimed portions of the compact desktop stapler and form no part of the claimed design.

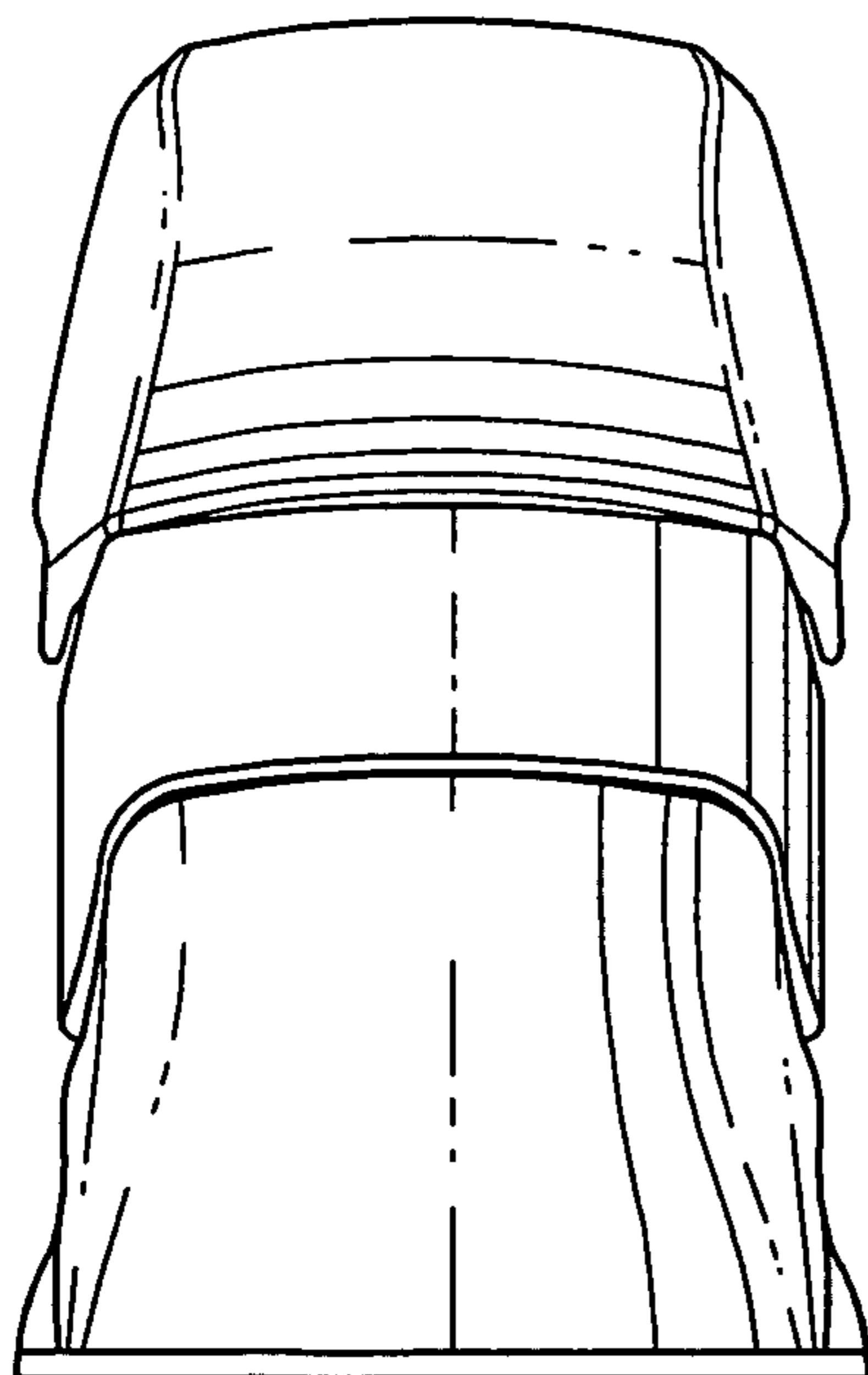
**1 Claim, 3 Drawing Sheets**



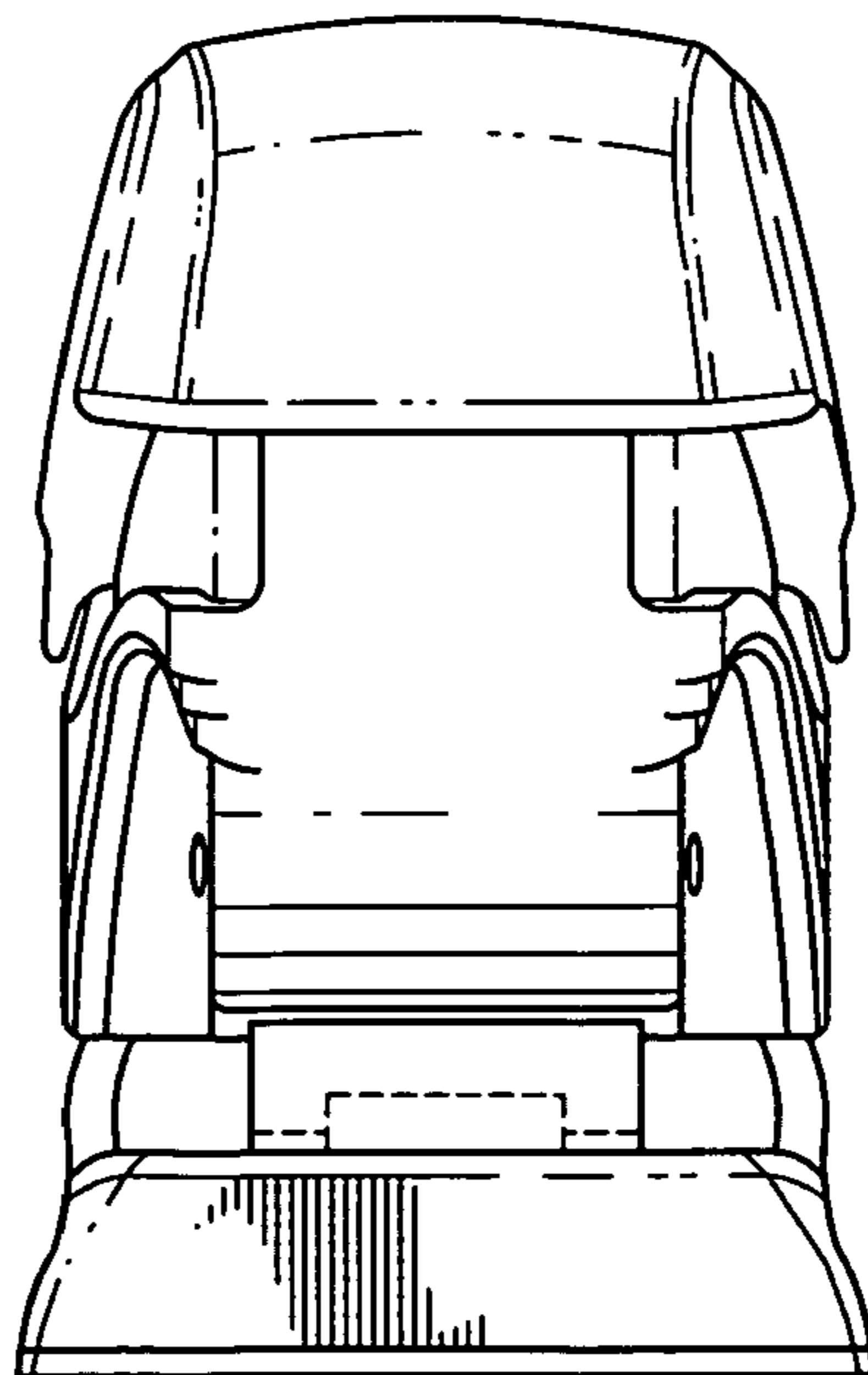


*FIG. 1*

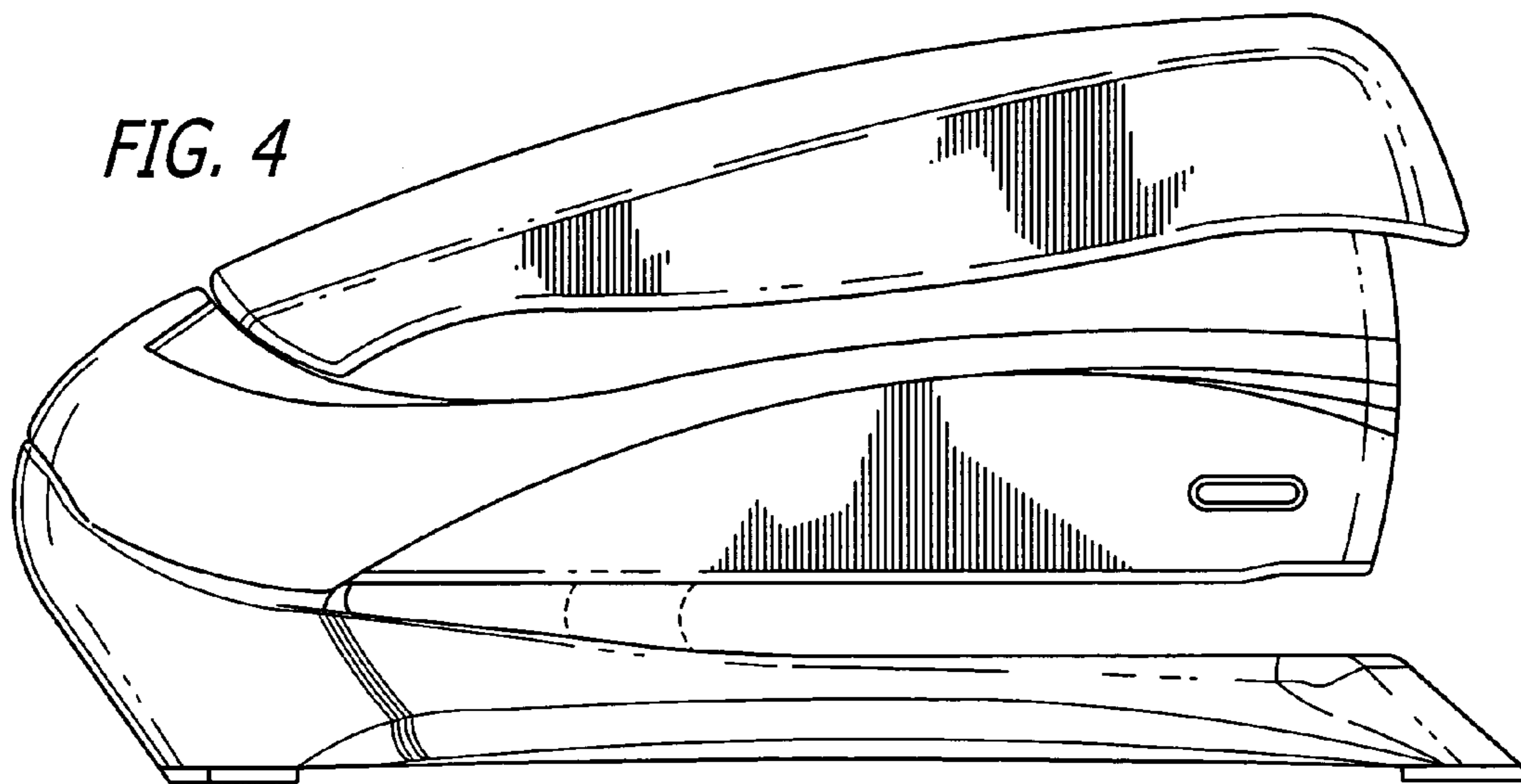
*FIG. 2*



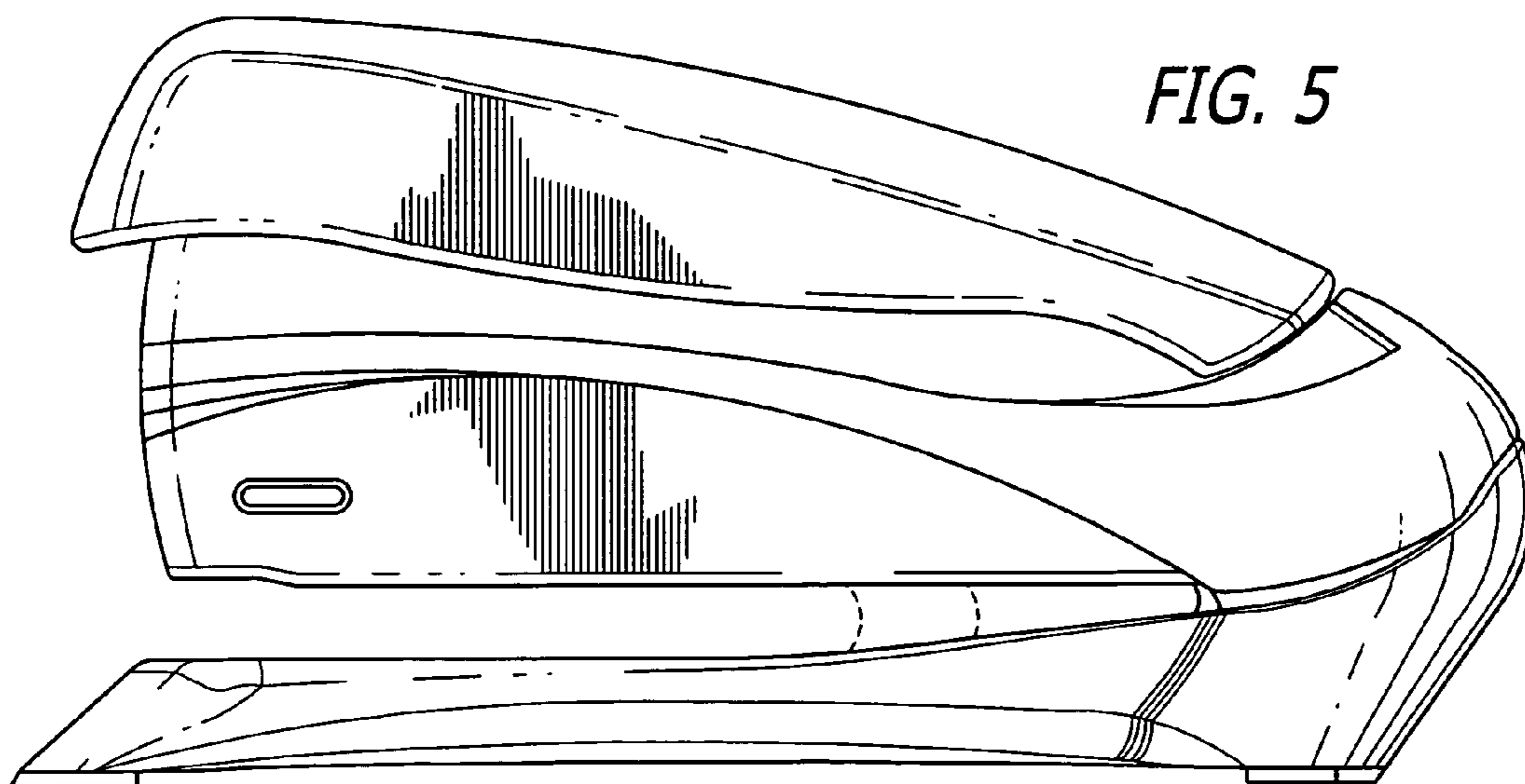
*FIG. 3*



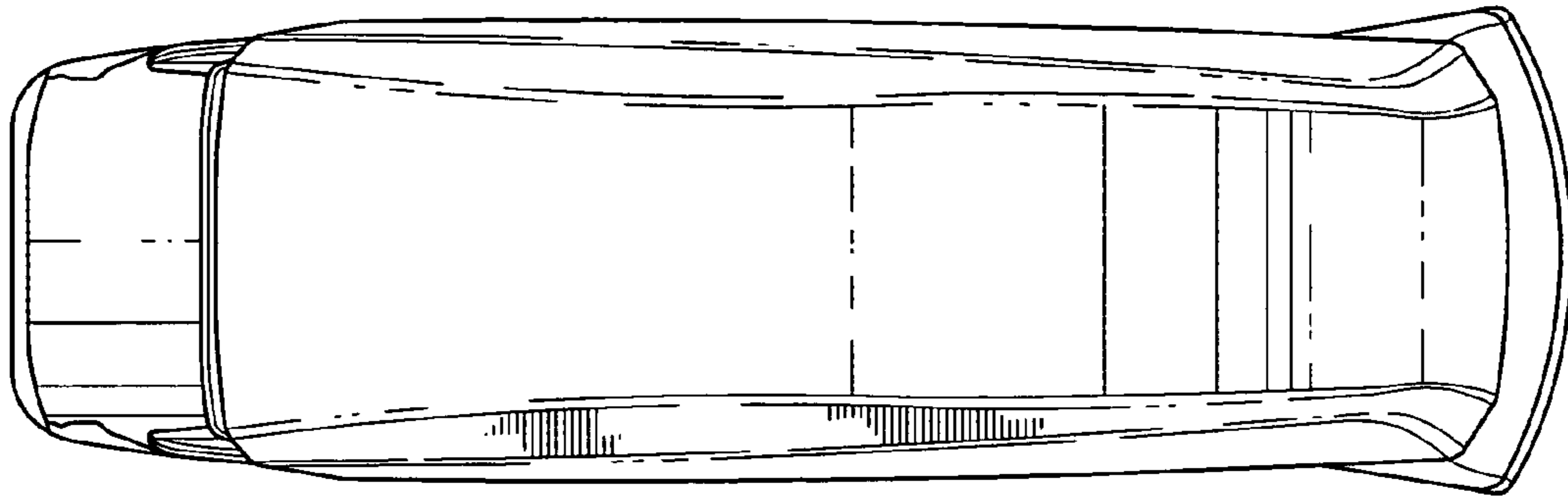
*FIG. 4*



*FIG. 5*



*FIG. 6*



*FIG. 7*

