



US00D622569S

(12) **United States Design Patent**
Montross

(10) **Patent No.:** **US D622,569 S**
(45) **Date of Patent:** **** Aug. 31, 2010**

(54) **MATTRESS LIFT**

(76) Inventor: **Sam Montross**, 2805 E. Oakland Park Blvd., Unit 217, Fort Lauderdale, FL (US) 33306

(**) Term: **14 Years**

(21) Appl. No.: **29/336,748**

(22) Filed: **May 8, 2009**

(51) **LOC (9) Cl.** **08-05**

(52) **U.S. Cl.** **D8/47**

(58) **Field of Classification Search** D8/14, D8/47, 88-89, 98, 107, 402; 254/104; 292/342
See application file for complete search history.

(56) **References Cited**

U.S. PATENT DOCUMENTS

159,949	A *	2/1875	McDermott	254/104
165,984	A *	7/1875	Cosbey	254/104
188,376	A *	3/1877	Kelly	254/104
466,104	A *	12/1891	Naegele	292/343
542,559	A *	7/1895	Harmon	254/104
D31,941	S *	12/1899	Root	D8/88
759,868	A *	5/1904	Eioh	254/104
1,192,719	A *	7/1916	Wells	254/104
1,195,423	A *	8/1916	Waters	254/104
D107,109	S *	11/1937	Carter	D8/47
2,733,894	A *	2/1956	Overman	254/104
3,185,442	A *	5/1965	Hemphill	254/104
3,377,052	A *	4/1968	Hagen	254/104
3,381,937	A *	5/1968	Zillman	254/104
D238,745	S *	2/1976	Bedard et al.	D8/47
D268,073	S	3/1983	Schaeffer		
D268,804	S	5/1983	Bacon		
4,433,463	A *	2/1984	DuVal	29/239
4,451,024	A *	5/1984	Shepherd	254/104
D275,540	S	9/1984	Barkow		
4,520,518	A	6/1985	Reaser		
D286,008	S *	10/1986	Hillinger	D8/47
4,688,761	A	8/1987	Wilcox		
4,890,345	A	1/1990	Sessa		
D317,482	S *	6/1991	Michaelsen et al.	D8/88

5,290,012	A *	3/1994	Cottriel et al.	254/104
5,374,033	A *	12/1994	Tilman	254/104
RE34,889	E *	4/1995	Fogarty et al.	14/69.5
D362,376	S	9/1995	Oaks		
5,690,316	A *	11/1997	Madjarac	254/104
D410,380	S *	6/1999	Towns	D8/402
D493,078	S	7/2004	McGee et al.		
6,886,203	B2	5/2005	Drakos et al.		
D563,744	S	3/2008	Adwar		
7,398,569	B2	7/2008	Sakaldasis et al.		
D590,676	S *	4/2009	Pickard	D8/47
7,581,270	B1 *	9/2009	Levesque	5/660
D602,324	S *	10/2009	Hancock et al.	D8/98
7,644,964	B2 *	1/2010	Bushey et al.	292/342
7,707,669	B1 *	5/2010	Richardson	5/660
2007/0271706	A1	11/2007	Gonser		
2008/0040856	A1	2/2008	Adamson et al.		
2008/0040859	A1	2/2008	Harris-Adamson et al.		

* cited by examiner

Primary Examiner—Philip S Hyder

Assistant Examiner—Roselyne Cody

(74) *Attorney, Agent, or Firm*—Christopher & Weisberg, P.A.

(57) **CLAIM**

The ornamental design for a mattress lift, as shown and described.

DESCRIPTION

FIG. 1 is perspective view of a mattress lift showing my new design;

FIG. 2 is another perspective view thereof;

FIG. 3 is a front elevation view thereof;

FIG. 4 is a rear elevation view thereof;

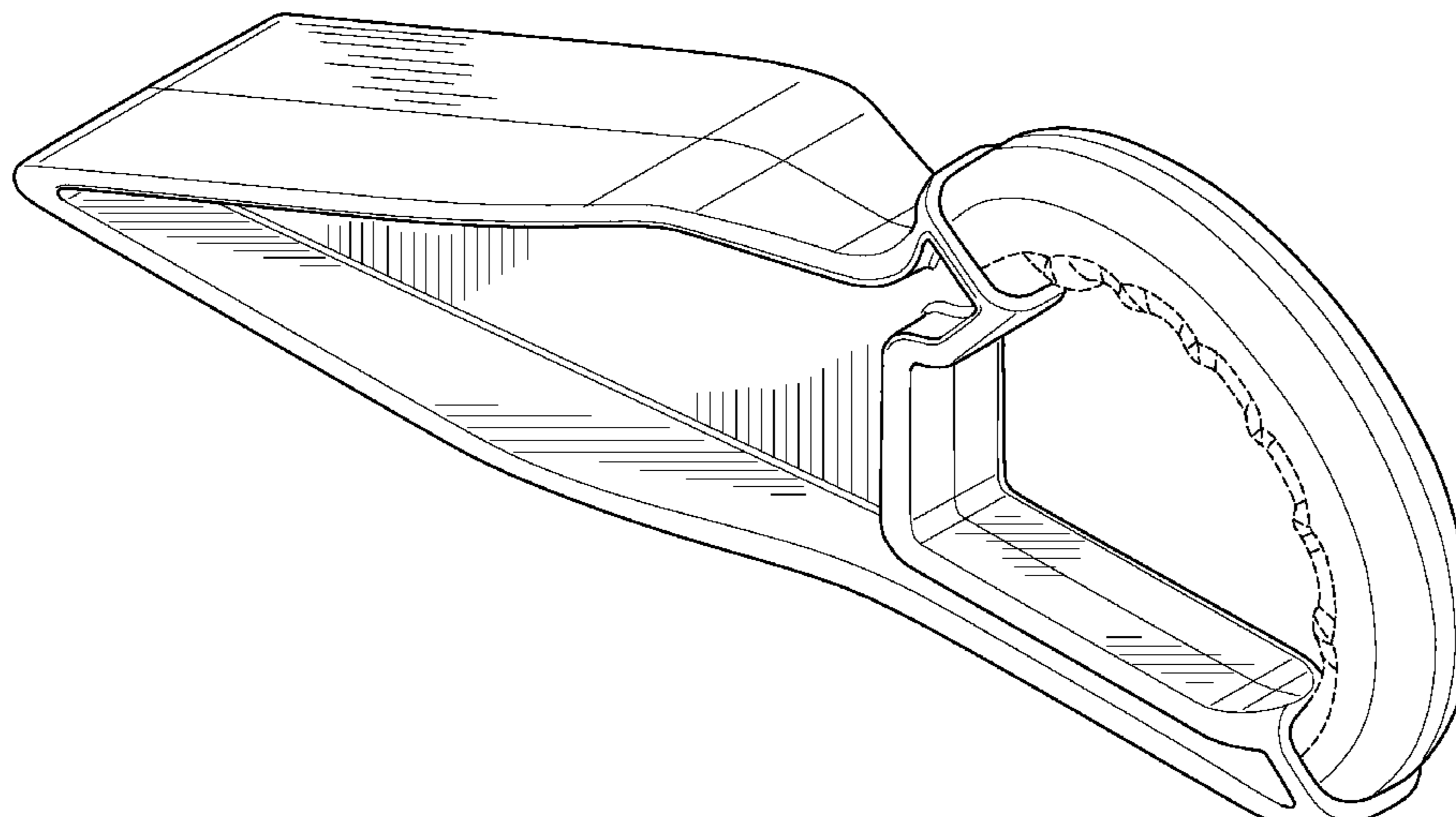
FIG. 5 is a side elevation view thereof;

FIG. 6 is a top plan view thereof; and,

FIG. 7 is a bottom plan view thereof.

The broken lines, which define the bounds of the claimed design, form no part thereof.

1 Claim, 5 Drawing Sheets



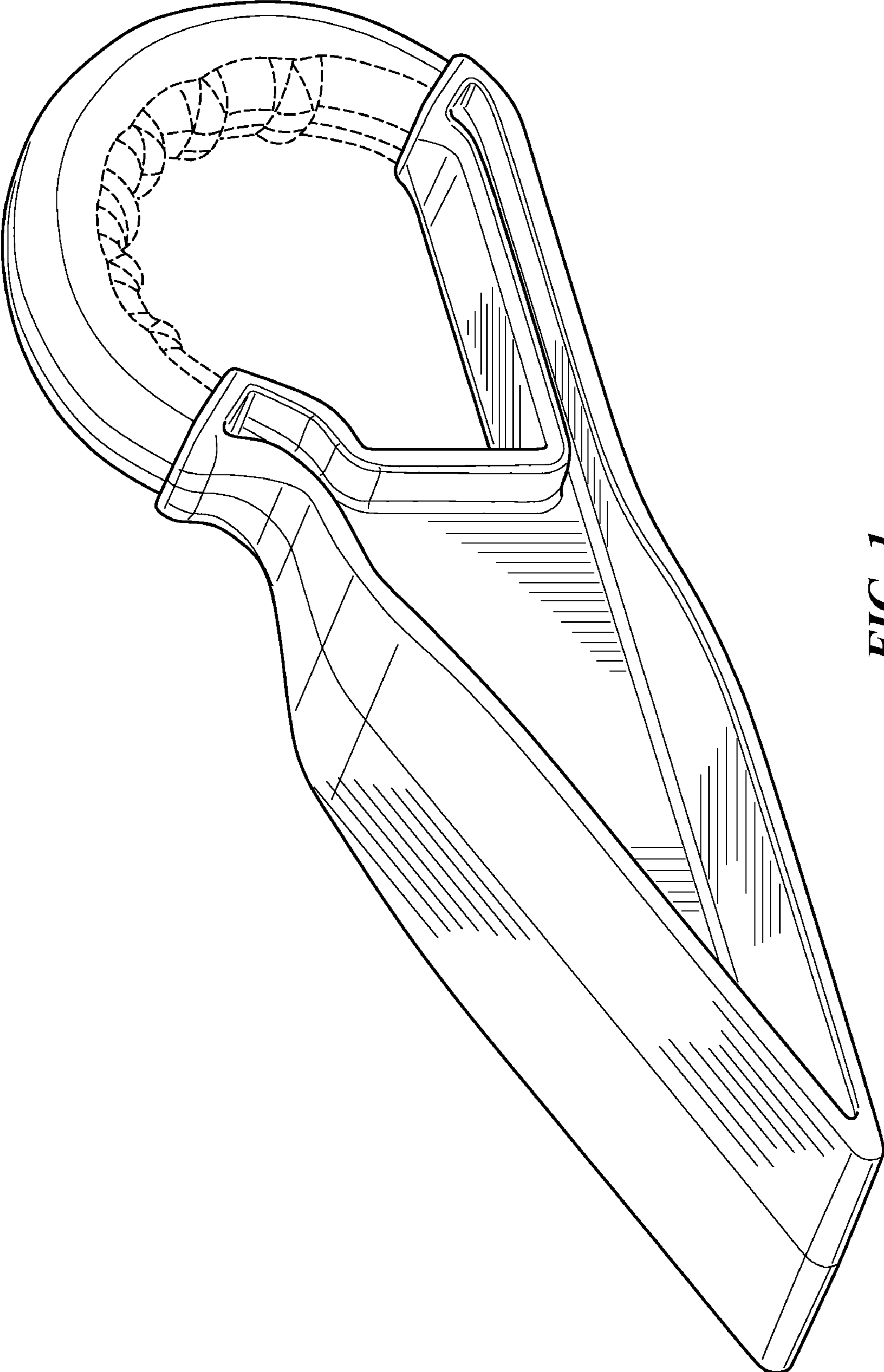


FIG. 1

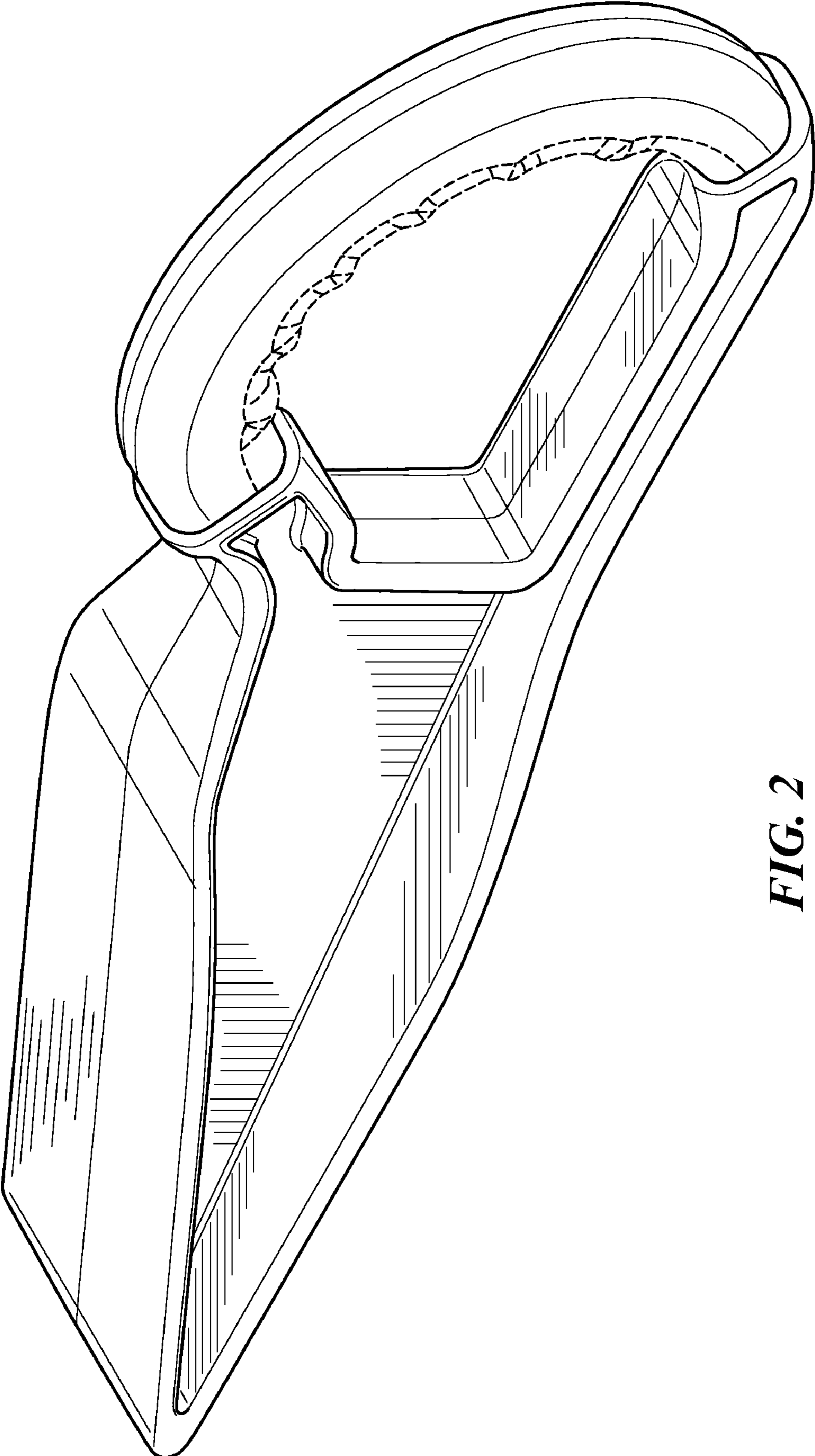


FIG. 2

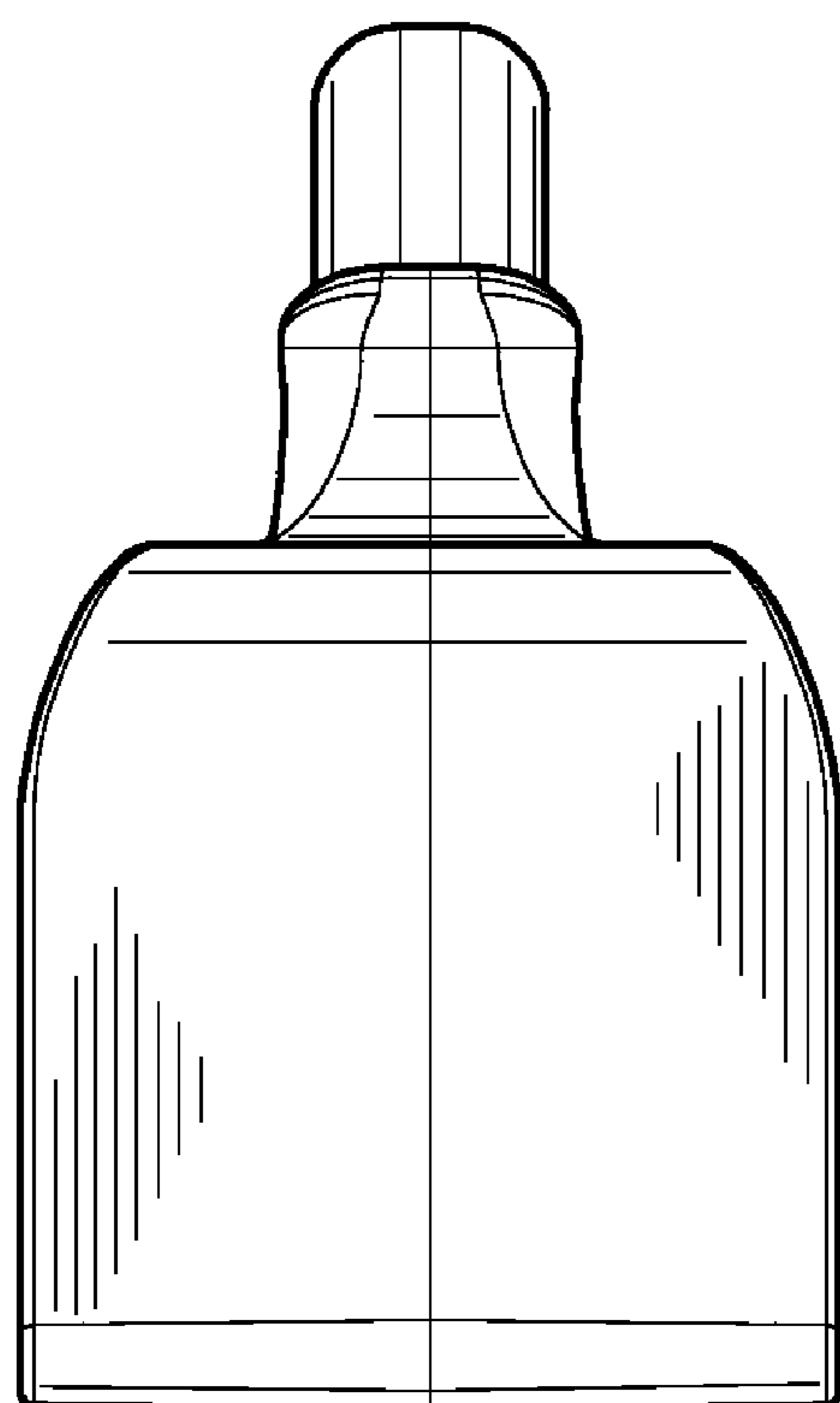


FIG. 3

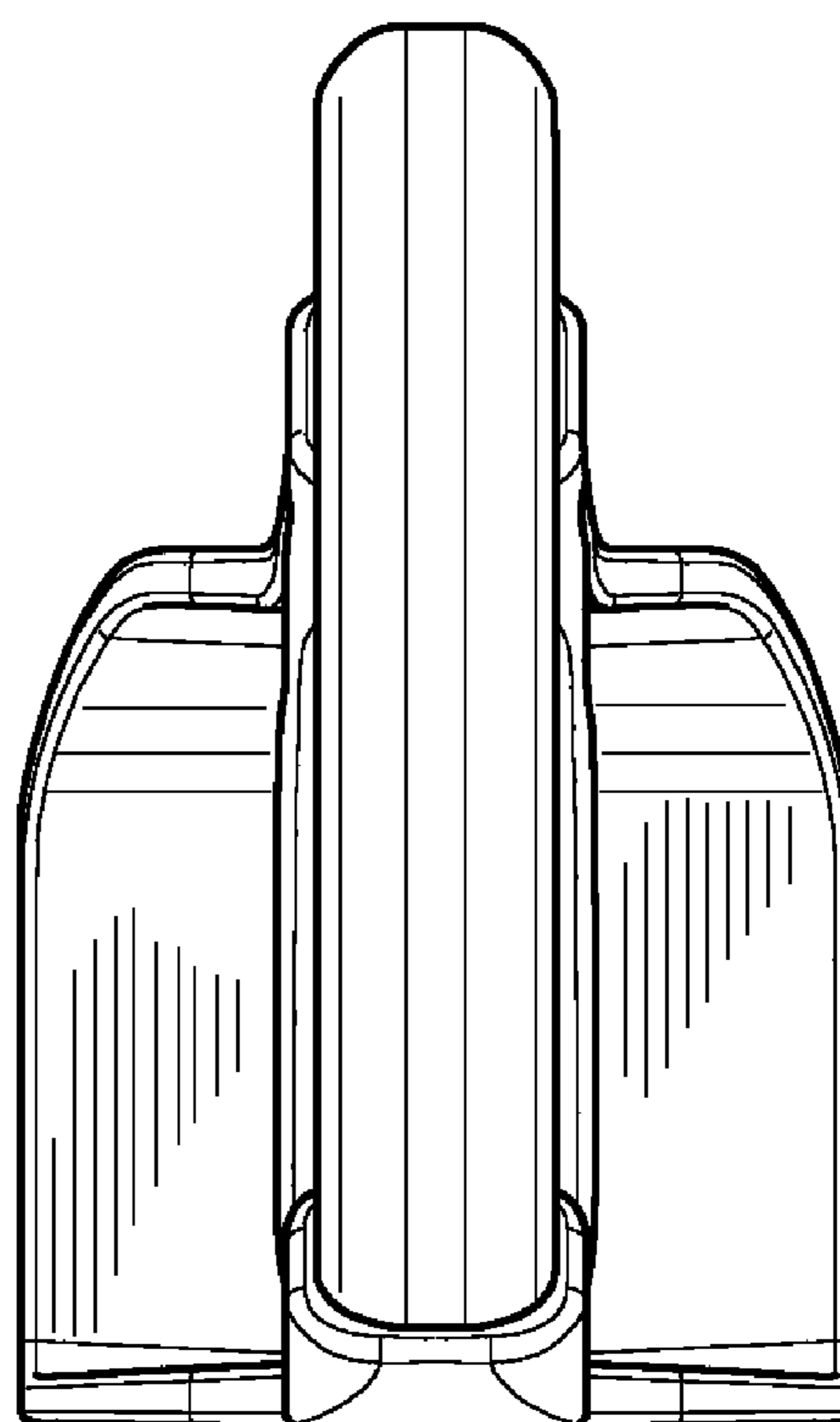


FIG. 4

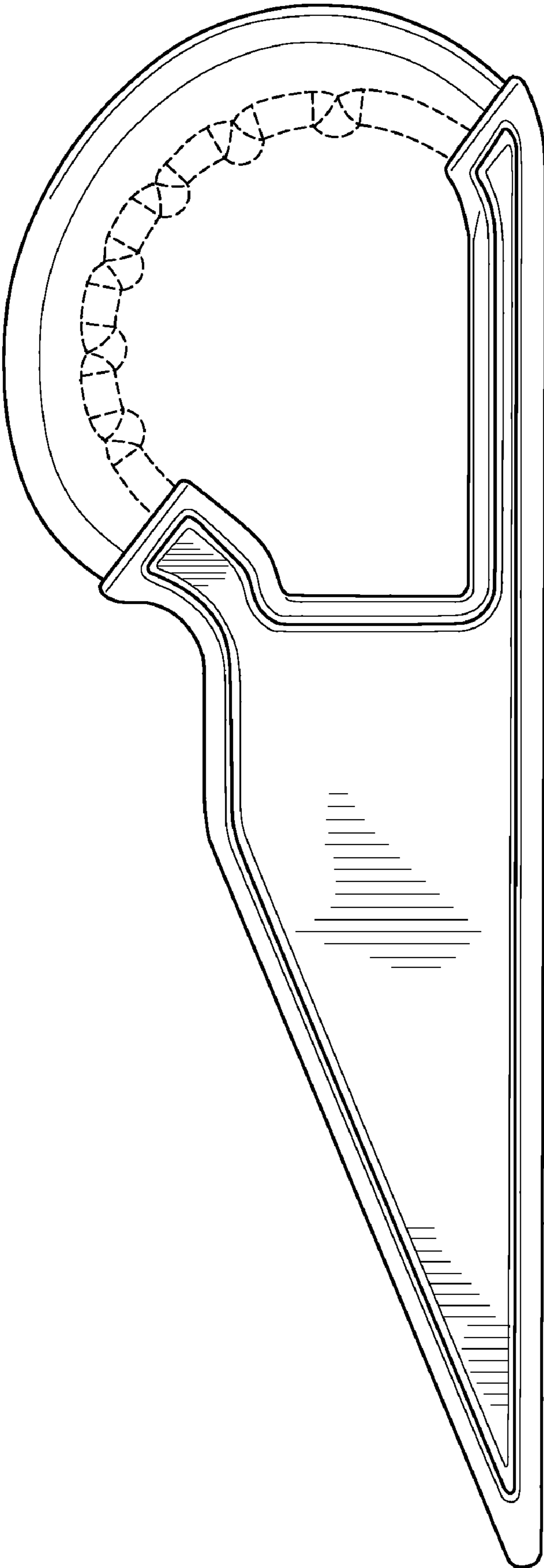


FIG. 5

FIG. 6

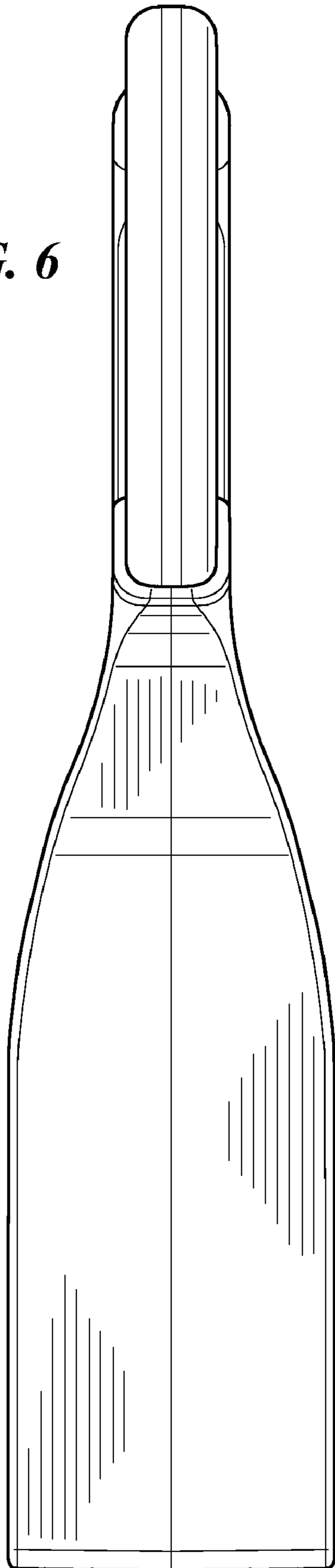


FIG. 7

