



US00D622568S

(12) **United States Design Patent**  
**Sanchez**

(10) **Patent No.:** **US D622,568 S**

(45) **Date of Patent:** **\*\* Aug. 31, 2010**

(54) **TRAMPOLINE SPRING TOOL**

(76) **Inventor:** **David L. Sanchez**, 7917 Old Santa Fe Trail, Santa Fe, NM (US) 87505

(\*\*) **Term:** **14 Years**

(21) **Appl. No.:** **29/314,297**

(22) **Filed:** **Mar. 20, 2009**

(51) **LOC (9) Cl.** ..... **08-05**

(52) **U.S. Cl.** ..... **D8/44**

(58) **Field of Classification Search** ..... D8/14,  
D8/44, 349; 29/244, 700; 7/117; 140/57,  
140/3 A, 117, 123, 102.5, 123.5, 139, 147  
See application file for complete search history.

(56) **References Cited**

**U.S. PATENT DOCUMENTS**

2,673,392	A *	3/1954	McFadden	29/227
D227,215	S *	6/1973	Thevemin	D8/44
4,537,463	A *	8/1985	Coiner et al.	439/882
5,163,154	A *	11/1992	Bournas et al.	712/42
5,317,936	A *	6/1994	Shiba et al.	74/606 R

5,477,599	A *	12/1995	Blanchard	29/227
D386,371	S *	11/1997	Gloyna	D8/14
6,199,253	B1 *	3/2001	Snowden	29/220
D526,173	S *	8/2006	Hudson	D8/44
D552,950	S *	10/2007	Hsieh	D8/44
D567,042	S *	4/2008	Wilkes	D8/44
7,685,702	B2 *	3/2010	Sutter et al.	29/749

\* cited by examiner

*Primary Examiner*—Prabhakar Deshmukh

(74) *Attorney, Agent, or Firm*—Richard L. Mikesell

(57) **CLAIM**

The ornamental design for a trampoline spring tool, as shown and described.

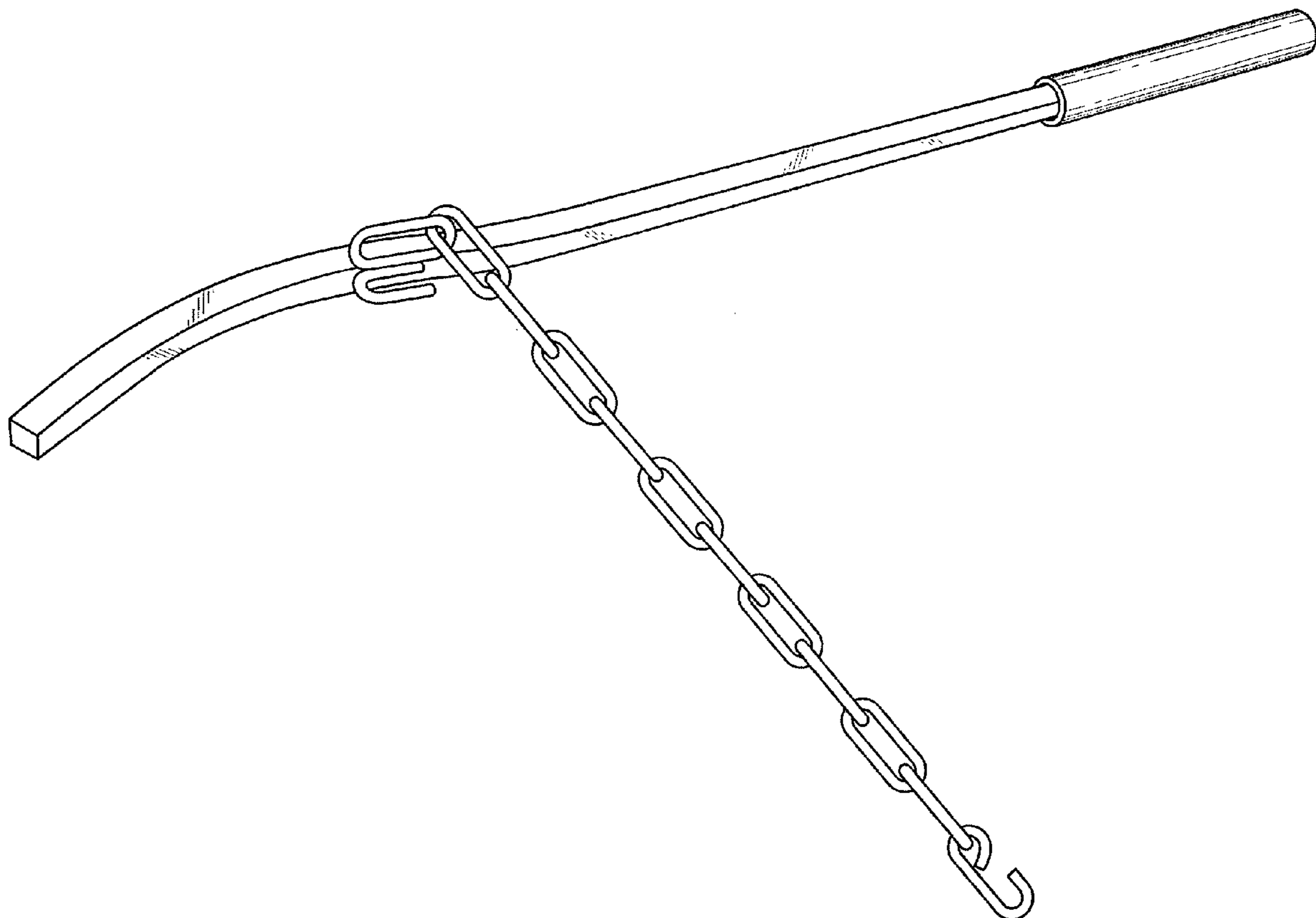
**DESCRIPTION**

FIG. 1 is a right side elevational view of a trampoline spring tool showing my new design; and,

FIG. 2 is a perspective view thereof.

The rear and left sides are plain and unadorned.

**1 Claim, 2 Drawing Sheets**



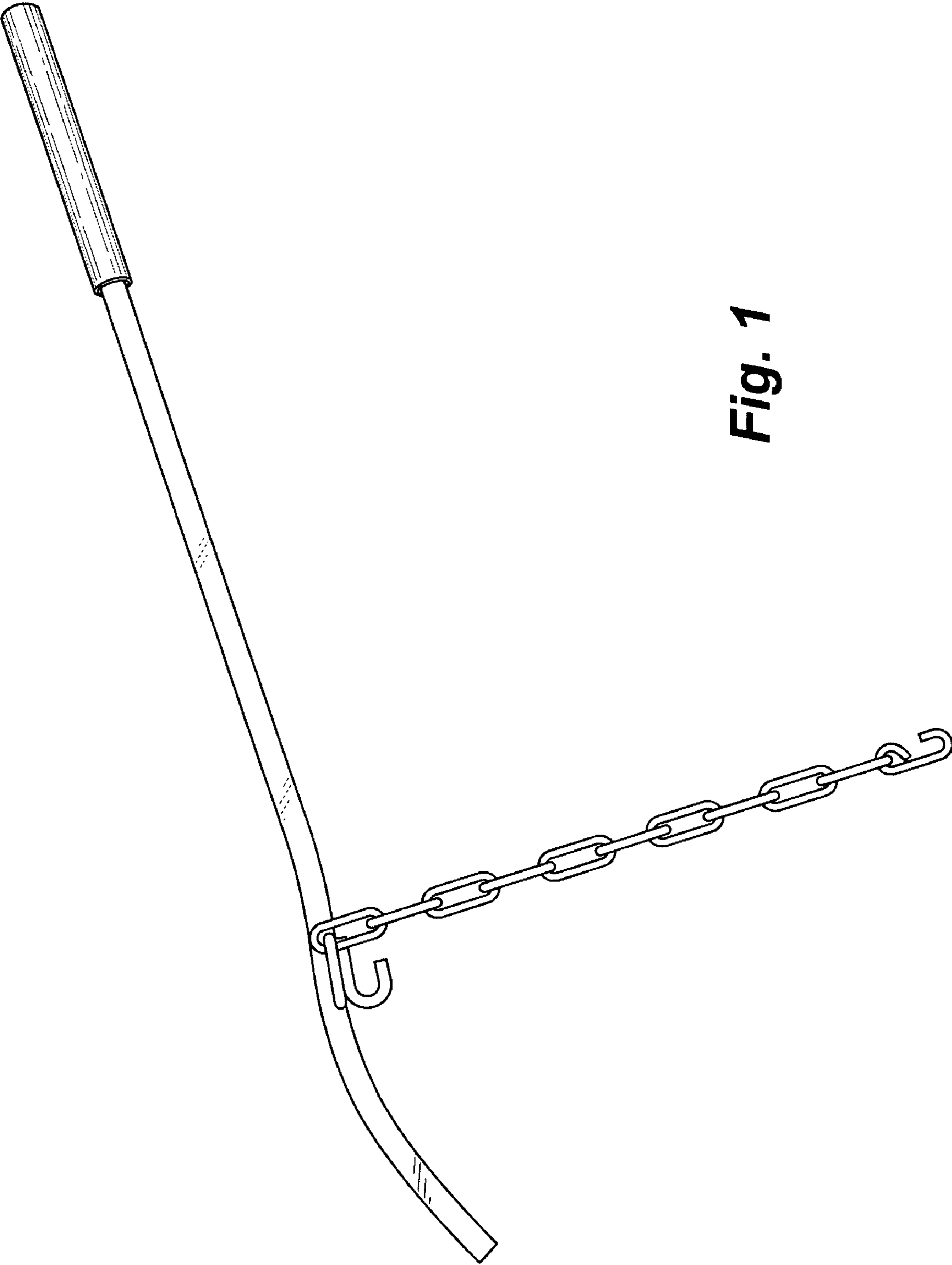


Fig. 1

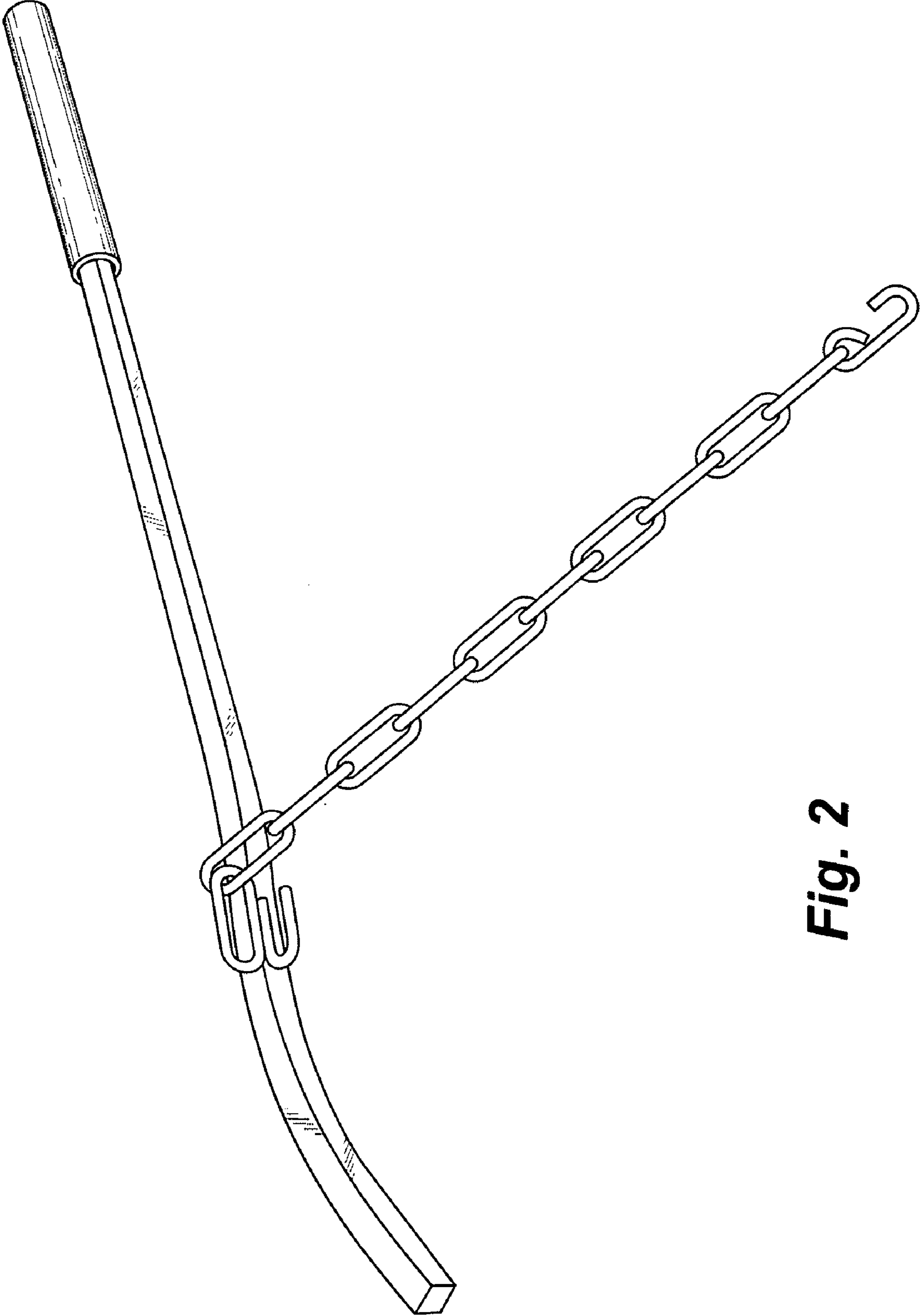


Fig. 2