



US00D622567S

(12) **United States Design Patent**
Maldonado et al.

(10) **Patent No.:** **US D622,567 S**

(45) **Date of Patent:** **** Aug. 31, 2010**

(54) **SPARE TIRE MOUNTING TOOL**

(75) Inventors: **Antonio C. Maldonado**, Moore, TX
(US); **William T. Brockington**,
Kernersville, NC (US); **Bruce A. Angel**,
Stokesdale, NC (US)

(73) Assignee: **Camco Manufacturing Inc.**,
Greensboro, NC (US)

(**) Term: **14 Years**

(21) Appl. No.: **29/316,955**

(22) Filed: **Nov. 12, 2009**

(51) **LOC (9) Cl.** **08-05**

(52) **U.S. Cl.** **D8/31; D34/28**

(58) **Field of Classification Search** D8/14,
D8/31, 88-89; D34/28; 7/100; 254/131
See application file for complete search history.

(56) **References Cited**

U.S. PATENT DOCUMENTS

D57,654	S	*	4/1921	Hornburg	D8/31
D58,472	S	*	7/1921	English et al.	D8/31
2,195,635	A		4/1940	Smischny		
2,212,716	A		8/1940	Noble et al.		
D142,931	S	*	11/1945	Bailey	D8/31
2,483,908	A	*	10/1949	Jackson	414/428
2,504,345	A		4/1950	Nellis		
2,539,711	A	*	1/1951	Varabeau	254/131
2,579,853	A	*	12/1951	Pardee	254/131
2,619,320	A	*	11/1952	Miller	254/131
2,639,121	A	*	5/1953	Hudspeth	254/131
2,640,615	A	*	6/1953	Wedel	414/428
2,655,341	A	*	10/1953	Clark	254/131
2,680,003	A		6/1954	Feinstein		
2,701,707	A	*	2/1955	Miller	254/131

3,555,583	A	*	1/1971	Mousel	7/100
3,649,976	A		3/1972	Isom		
5,180,141	A		1/1993	Hunt		
D343,997	S	*	2/1994	Smith	D8/14
D347,981	S		6/1994	Suggs, Sr.		
D349,385	S	*	8/1994	Suggs, Sr.	D34/26
5,367,732	A	*	11/1994	Suggs, Sr.	7/100
D471,337	S	*	3/2003	Cooper	D34/28
6,913,061	B2	*	7/2005	Kliskey	157/1.3
D589,224	S		3/2009	Kilpatrick		

OTHER PUBLICATIONS

Ref. No. 1, Truck Wheel Dolly, (Item #145690), 2 pages, Northern Tool website (www.northerntool.com), Oct. 29, 2009.

* cited by examiner

Primary Examiner—Philip S Hyder
Assistant Examiner—Roselynn Cody

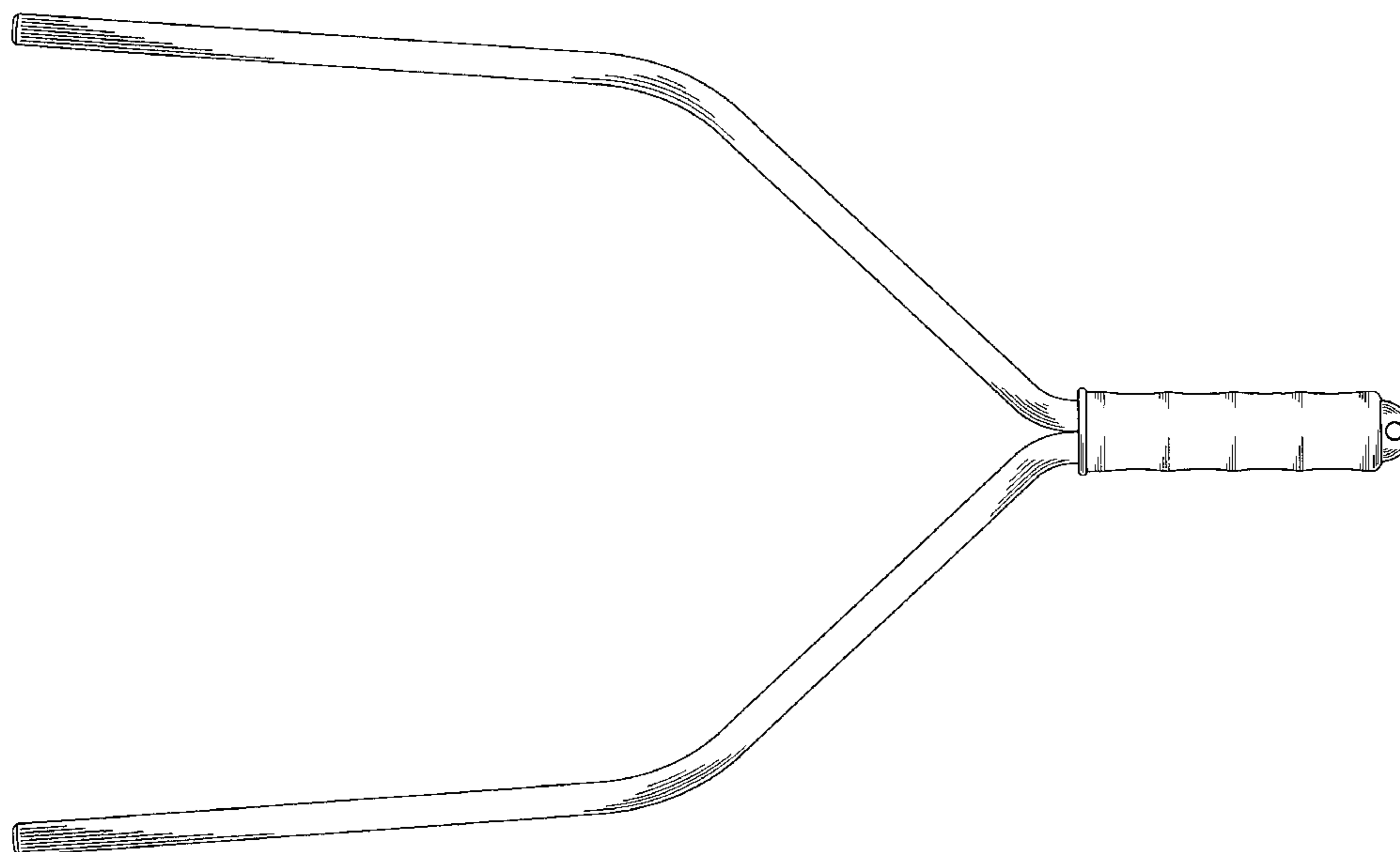
(57) **CLAIM**

The ornamental design for a spare tire mounting tool, as shown and described.

DESCRIPTION

FIG. 1 is a top, front left perspective view of a spare tire mounting tool according to the invention;
FIG. 2 is an enlarged detail view of the handle end thereof;
FIG. 3 is a left elevational view thereof, the right elevational view being a mirror image;
FIG. 4 is a front elevational view thereof;
FIG. 5 is a rear elevational view thereof;
FIG. 6 is a top plan view thereof; and,
FIG. 7 is a bottom plan view thereof.

1 Claim, 5 Drawing Sheets



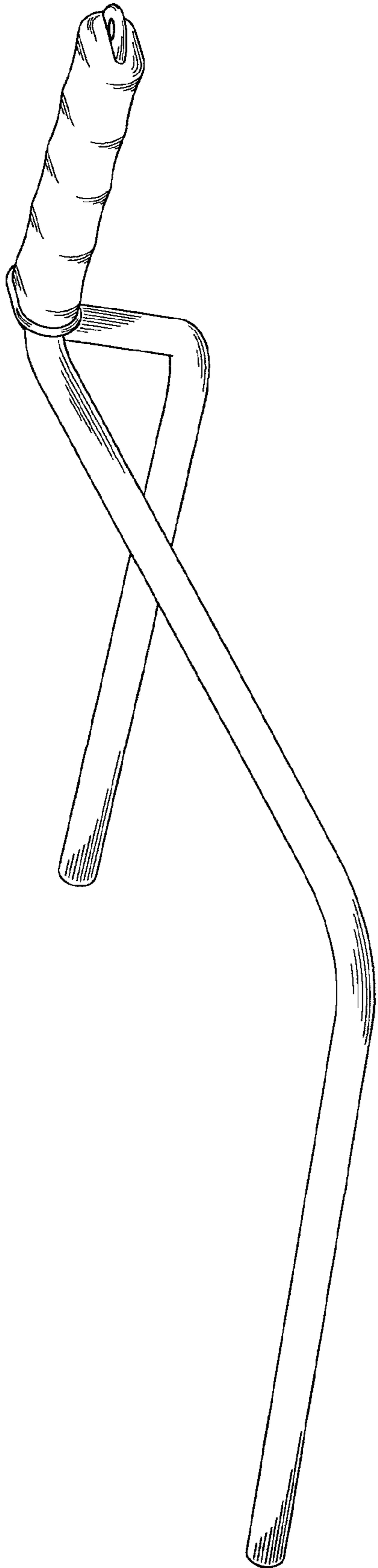


FIG. 1

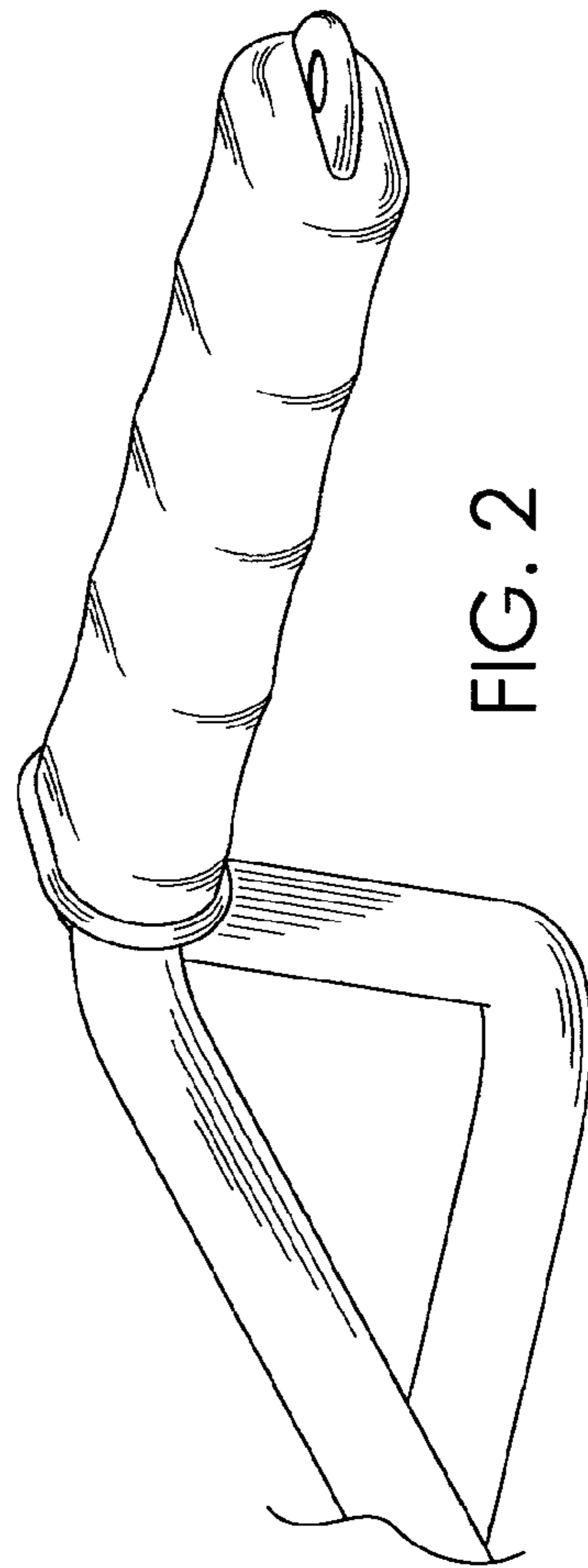


FIG. 2

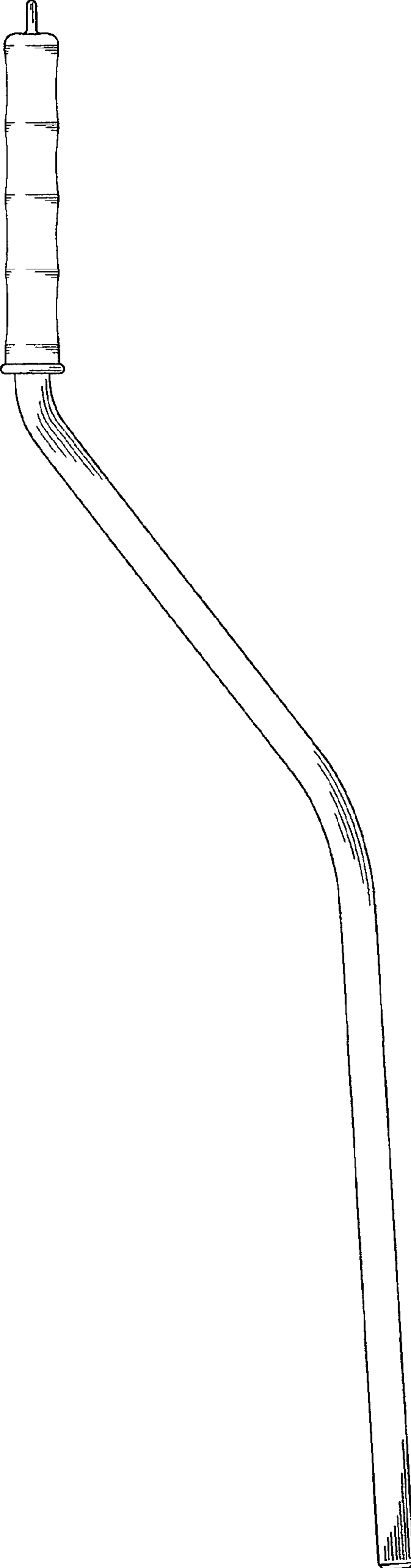


FIG. 3

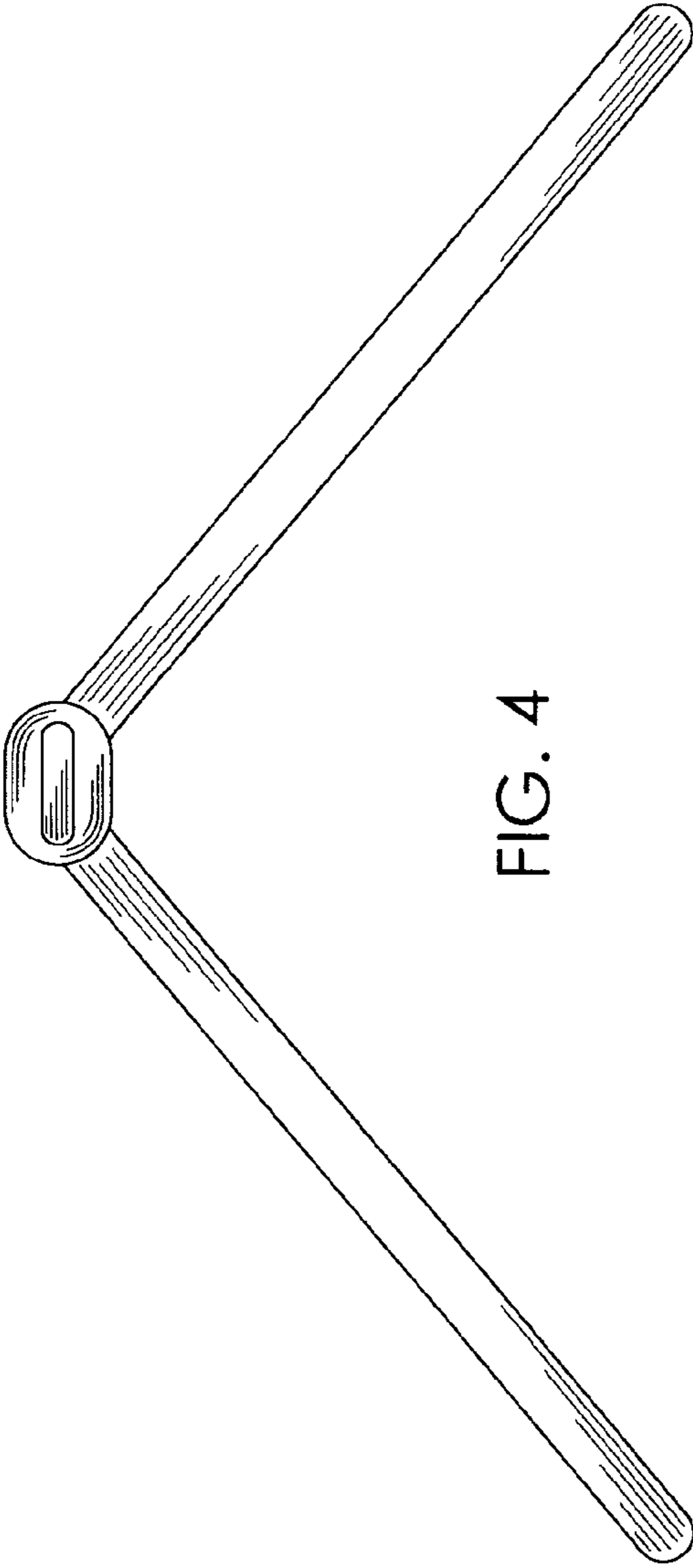


FIG. 4

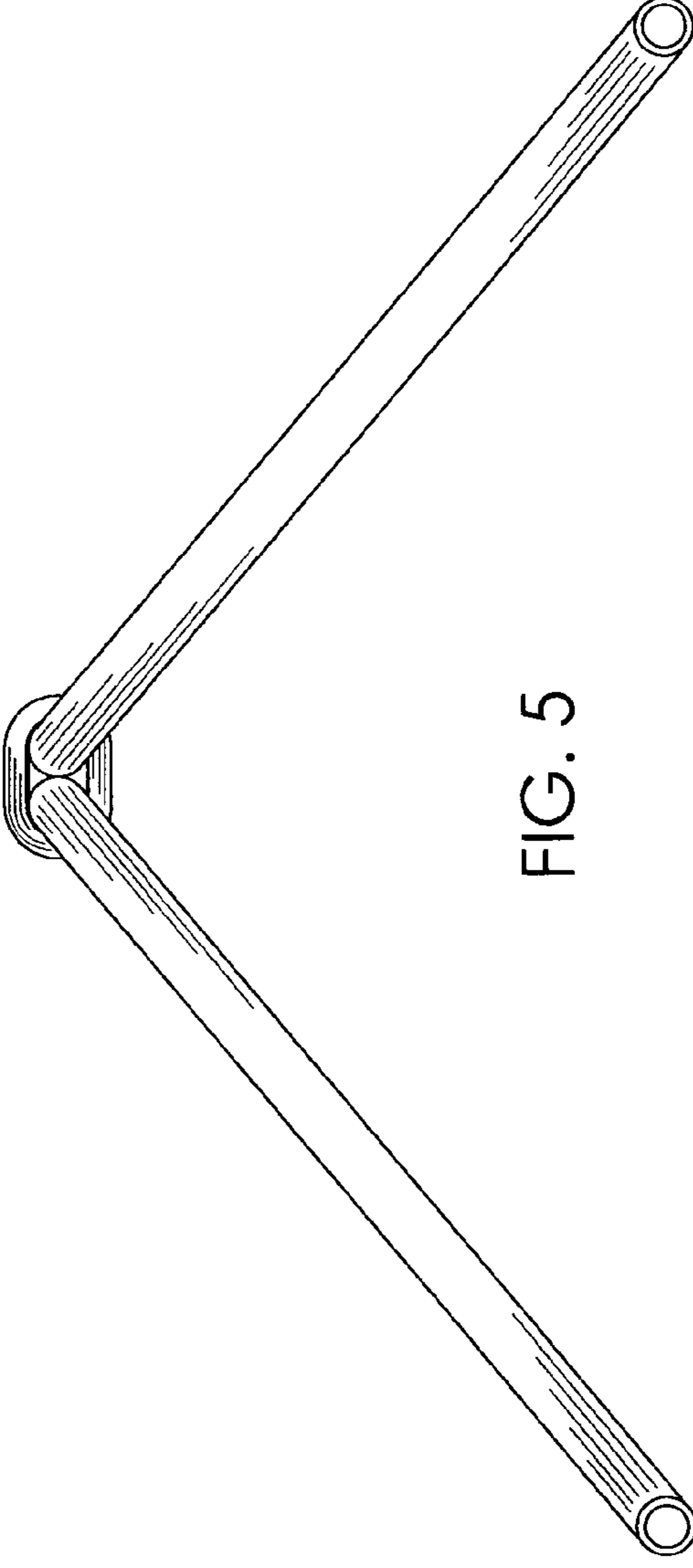


FIG. 5

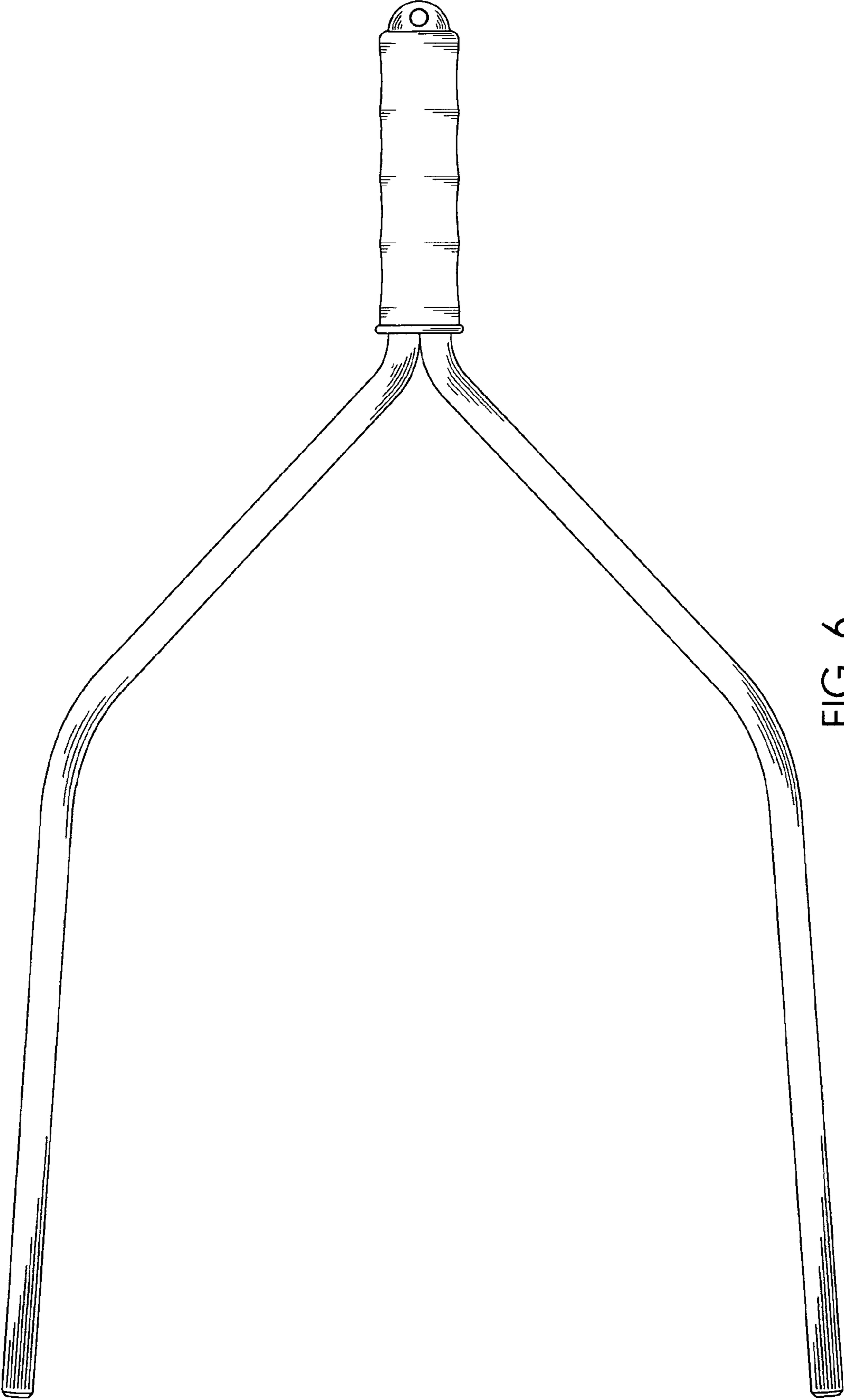


FIG. 6

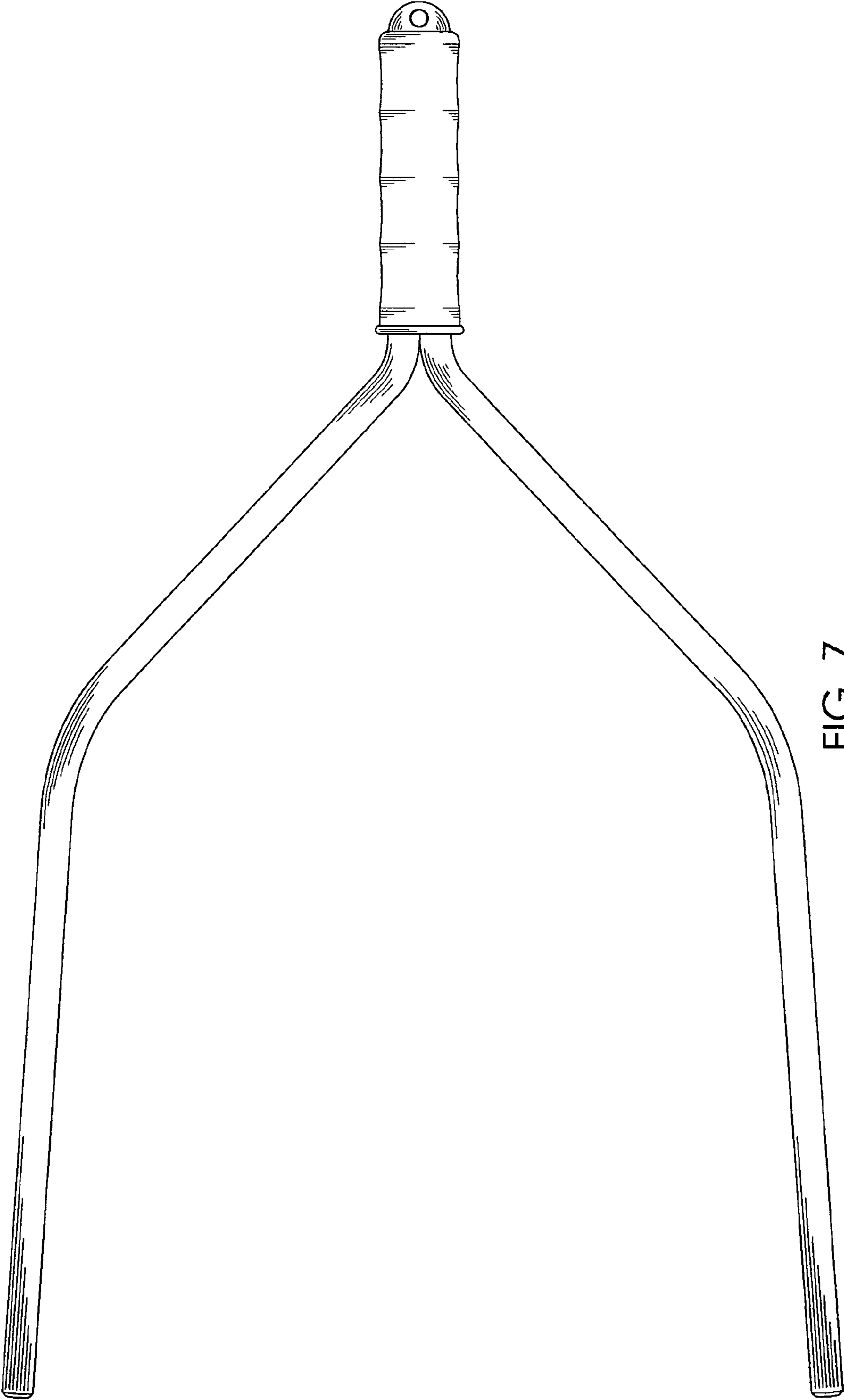


FIG. 7