



US00D622566S

(12) **United States Design Patent**
Murray et al.

(10) **Patent No.:** **US D622,566 S**
(45) **Date of Patent:** **** Aug. 31, 2010**

(54) **WRENCH**

FOREIGN PATENT DOCUMENTS

(75) Inventors: **Thomas Murray**, Baltimore, MD (US);
Jon Salerno, New Boston, NH (US)

DE 202006019735 U1 3/2007

(73) Assignee: **Black & Decker Inc.**, Newark, DE (US)

OTHER PUBLICATIONS

(**) Term: **14 Years**

Photos of Gear Wrench Flex Head Packaging.

(21) Appl. No.: **29/357,626**

(Continued)

(22) Filed: **Mar. 15, 2010**

Primary Examiner—Rapahel Barkai

Assistant Examiner—Randall H Gholson

(51) **LOC (9) Cl.** **08-05**

(52) **U.S. Cl.** **D8/28**

(58) **Field of Classification Search** D8/17,
D8/21–29, 354, 107; 81/60, 177.1, 177.85,
81/121.1, 124.3, 165–170, 110.1, 176.2,
81/124.6, 176.1, 176.15, 177.2, 186; 16/110.1;
D15/144.1, 143; 219/75, 227, 229, 121.16,
219/121.18

(74) *Attorney, Agent, or Firm*—Harness, Dickey & Pierce,
P.L.C.

(57) **CLAIM**

The ornamental design for a wrench, as shown and described.

See application file for complete search history.

DESCRIPTION

(56) **References Cited**

FIG. 1 is a perspective view of a wrench according to the invention illustrating the top, rear and right sides of the wrench;

U.S. PATENT DOCUMENTS

- 1,571,148 A * 1/1926 Sisolak D8/28
- 1,811,137 A * 6/1931 Kress 81/124.3
- 2,500,835 A * 3/1950 Lang 81/61
- 5,568,751 A 10/1996 Lee
- 6,282,992 B1 9/2001 Hu
- 6,453,779 B2 9/2002 Hu
- 6,626,067 B1 9/2003 Iwinski et al.
- 6,629,477 B2 10/2003 Ling et al.
- 6,722,234 B2 4/2004 Hu
- D492,556 S * 7/2004 Barry et al. D8/25
- 6,769,330 B2 8/2004 Chang
- 6,862,956 B1 3/2005 Chen
- 6,868,759 B2 3/2005 Tuan-Mu

FIG. 2 is a perspective view of the wrench of FIG. 1;

FIG. 3 is a side side elevation view of the wrench of FIG. 1;

FIG. 4 is a left side elevation view of the wrench of FIG. 1;

FIG. 5 is a top plan view of the wrench of FIG. 1

FIG. 6 is a bottom plan view of the wrench of FIG. 1;

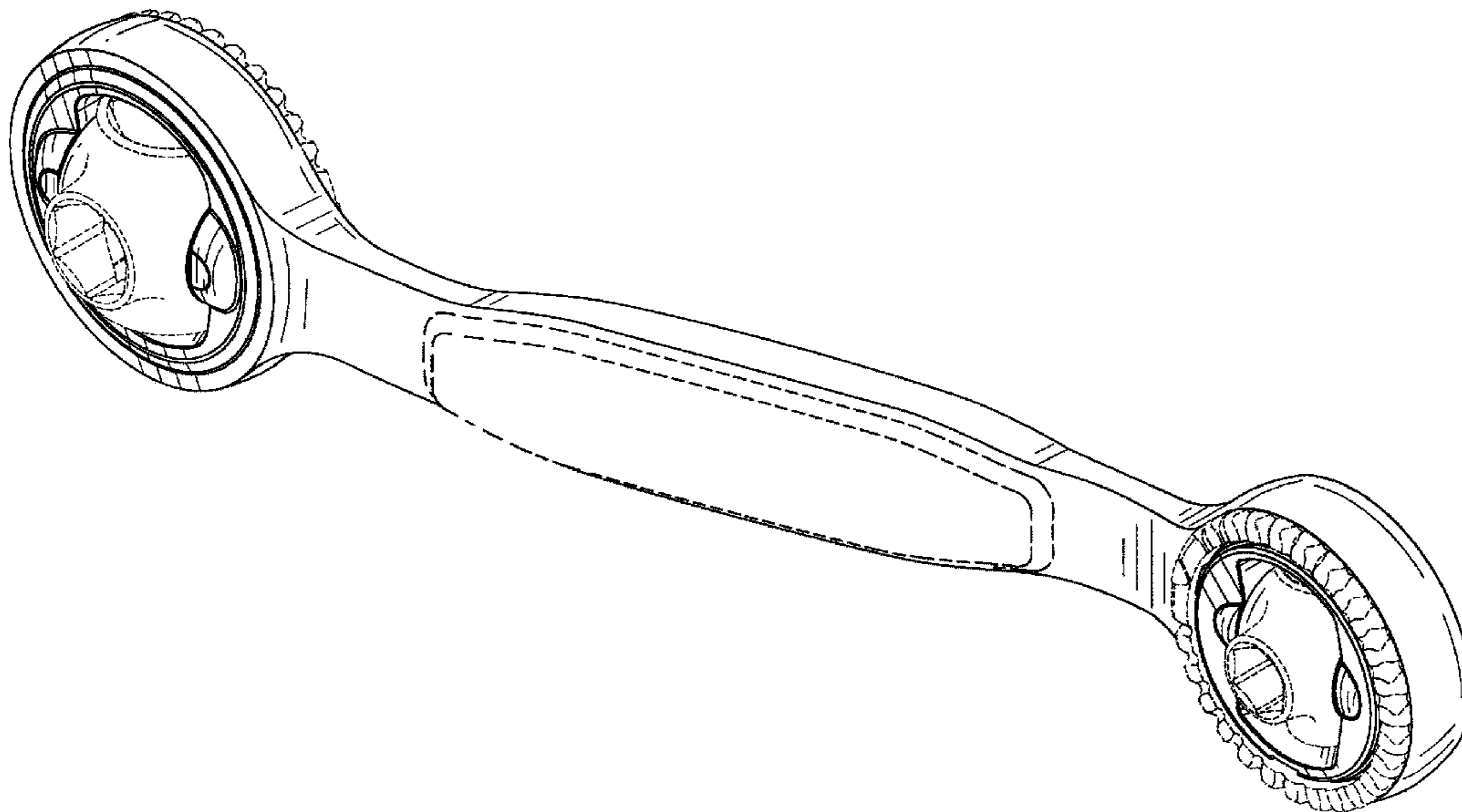
FIG. 7 is a front elevation view of the wrench of FIG. 1; and,

FIG. 8 is a section view of the wrench taken along the line 8-8 of FIG. 7.

The broken lines shown on the drawings are included for the purpose of illustration only and form no part of the claimed design.

(Continued)

1 Claim, 6 Drawing Sheets



US D622,566 S

Page 2

U.S. PATENT DOCUMENTS

6,918,323	B2	7/2005	Arnold et al.	7,311,022	B2	12/2007	Putney et al.
6,971,286	B2	12/2005	Hu	7,444,902	B1	11/2008	Lin et al.
7,032,478	B2	4/2006	Hu	7,444,904	B2	11/2008	Huang
7,082,860	B2	8/2006	Shu-Sui et al.	7,523,688	B2	4/2009	Putney et al.
7,185,566	B2	3/2007	Arnold et al.	D601,871	S *	10/2009	Murray D8/28
7,231,851	B2	6/2007	Tuan-Mu	2007/0107560	A1	5/2007	Chiang
7,237,460	B2	7/2007	Hu				
D551,525	S *	9/2007	Desbrunes D8/28				
7,267,033	B1	9/2007	Lai				
7,299,720	B1	11/2007	Schultz et al.				

OTHER PUBLICATIONS

Photos of Gear Wrench Ratcheting Combination Wrench.

* cited by examiner

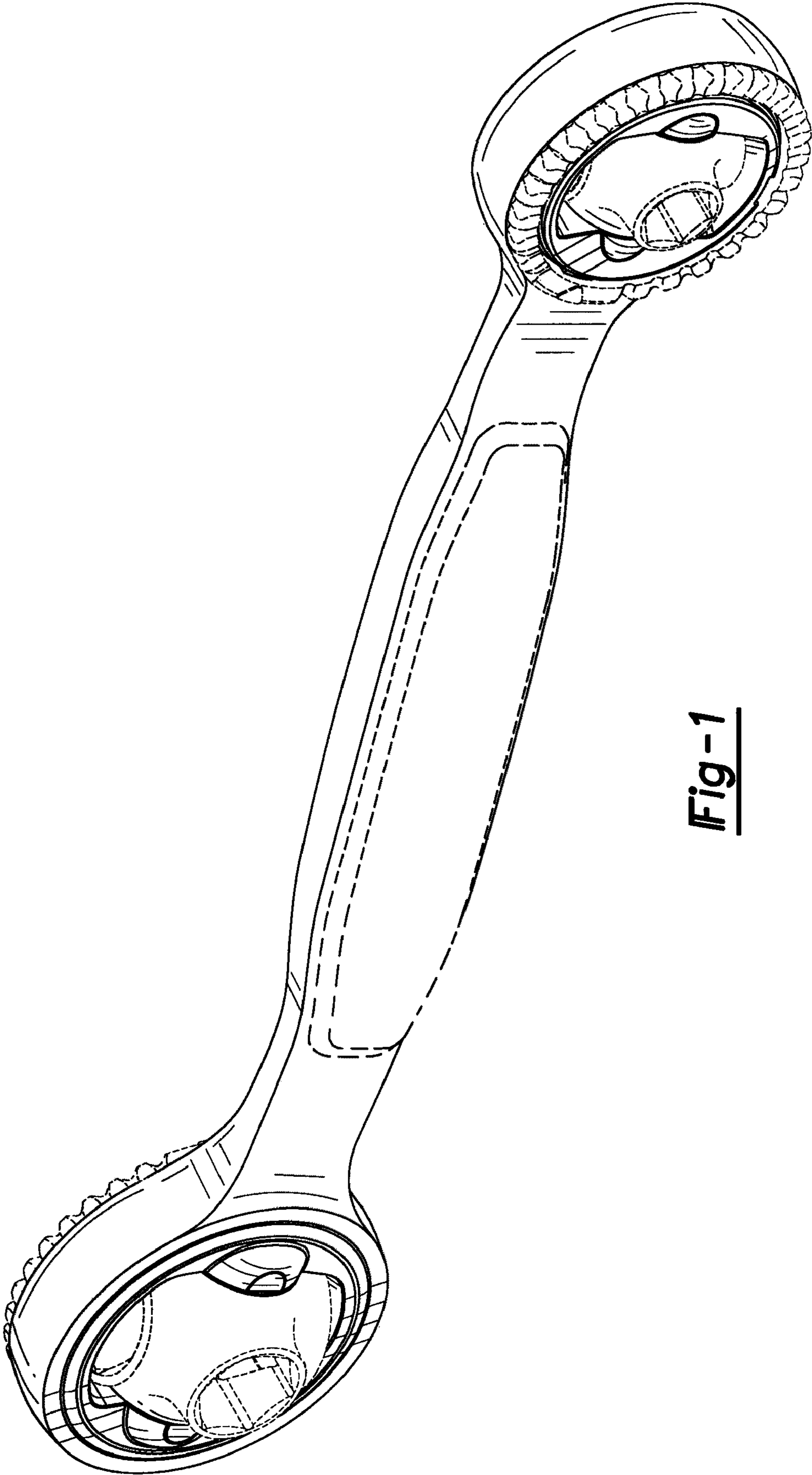


Fig-1

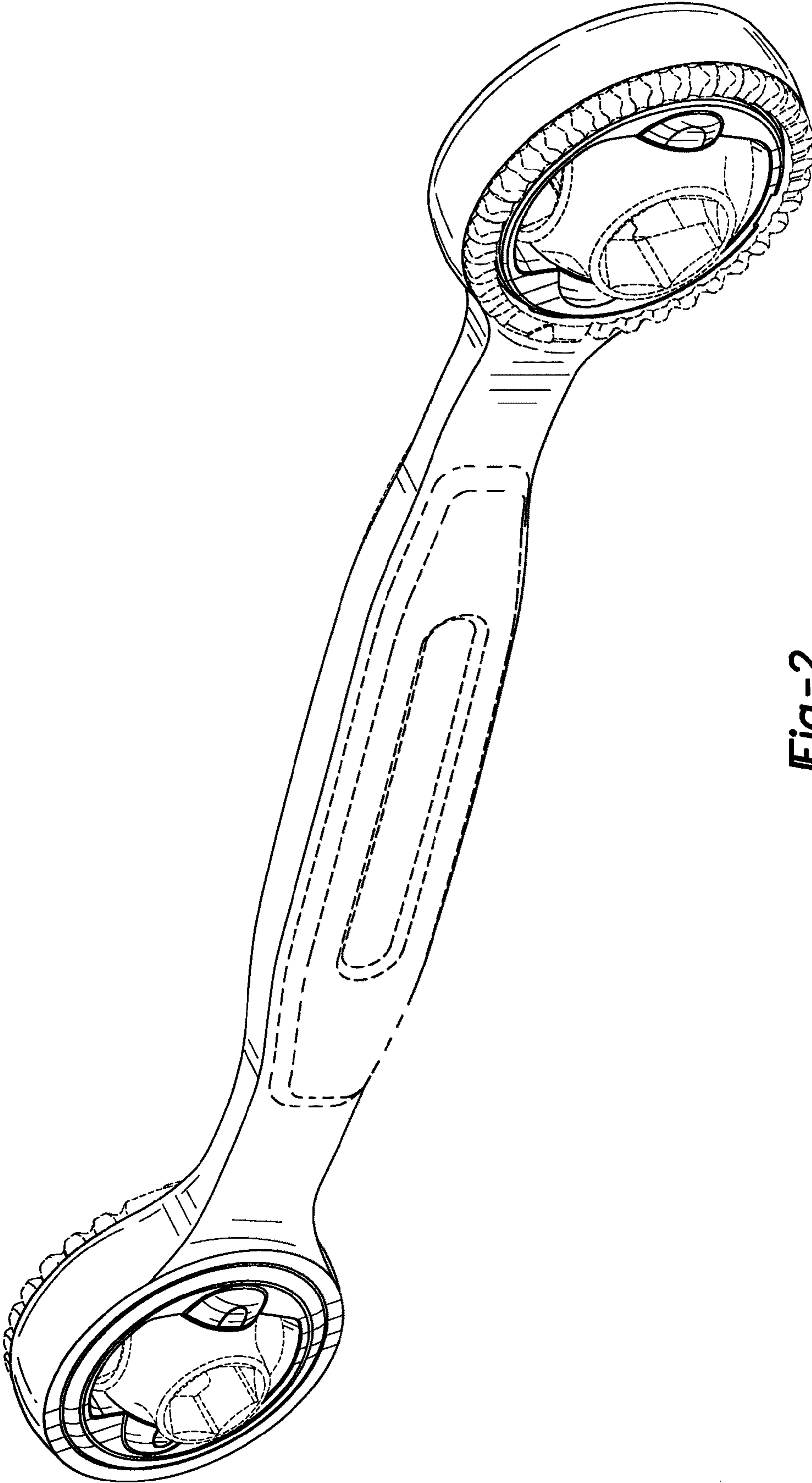


Fig-2

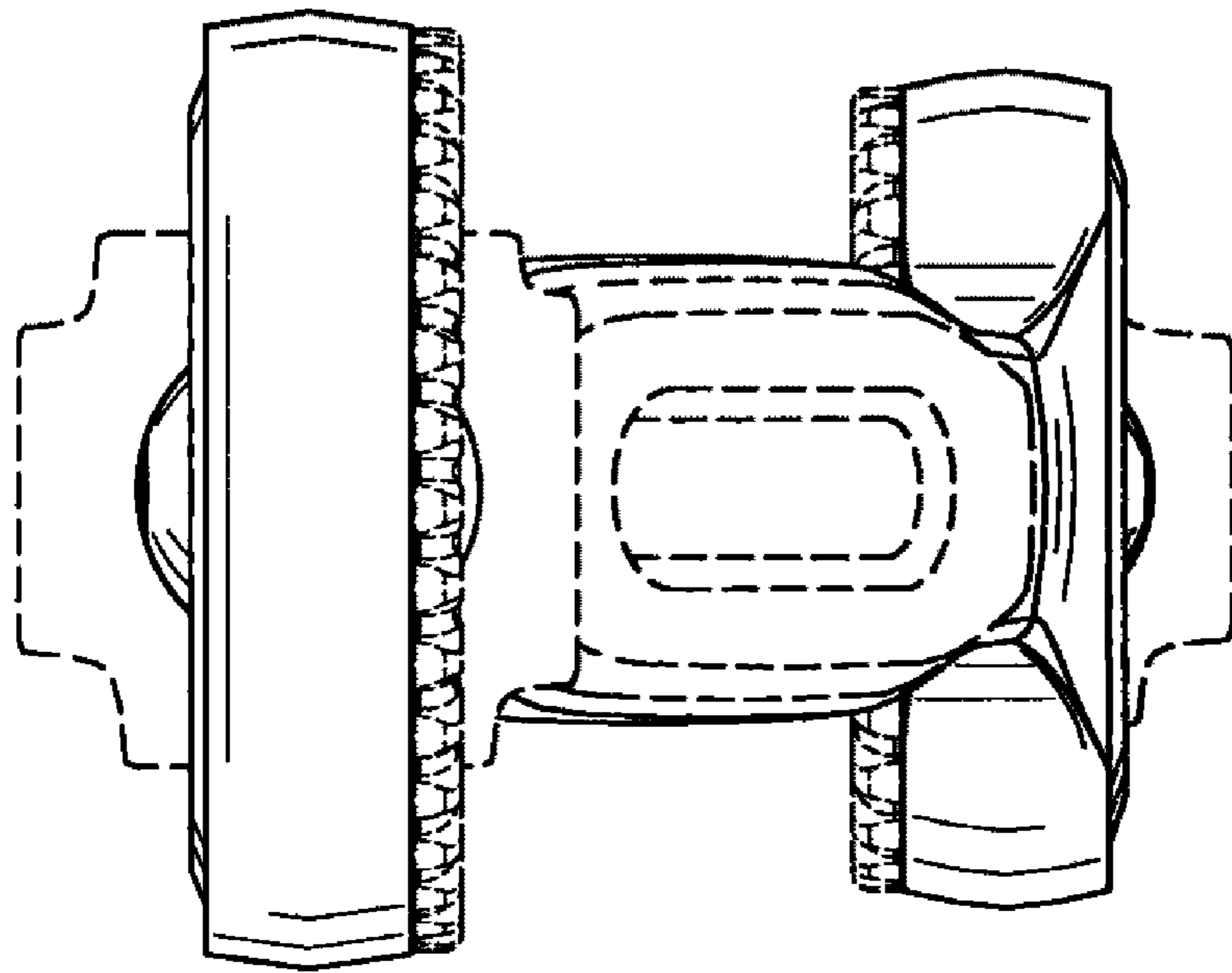


Fig-4

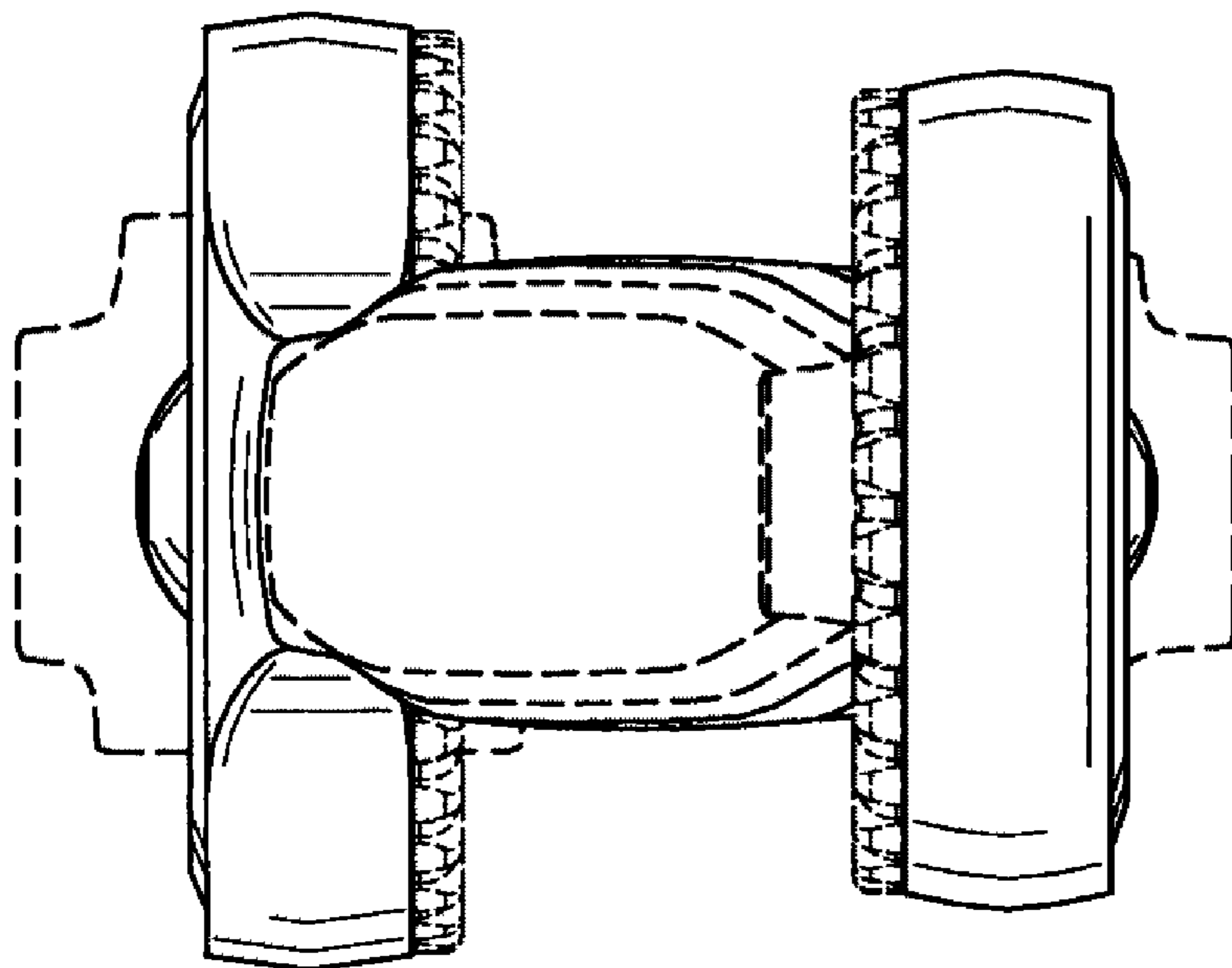


Fig-3

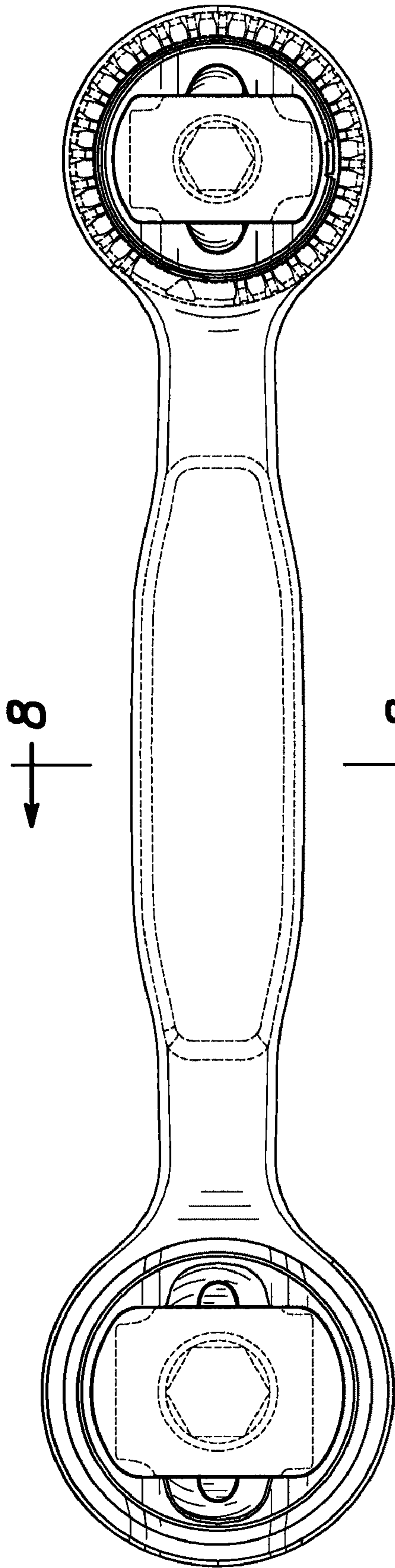


Fig-5

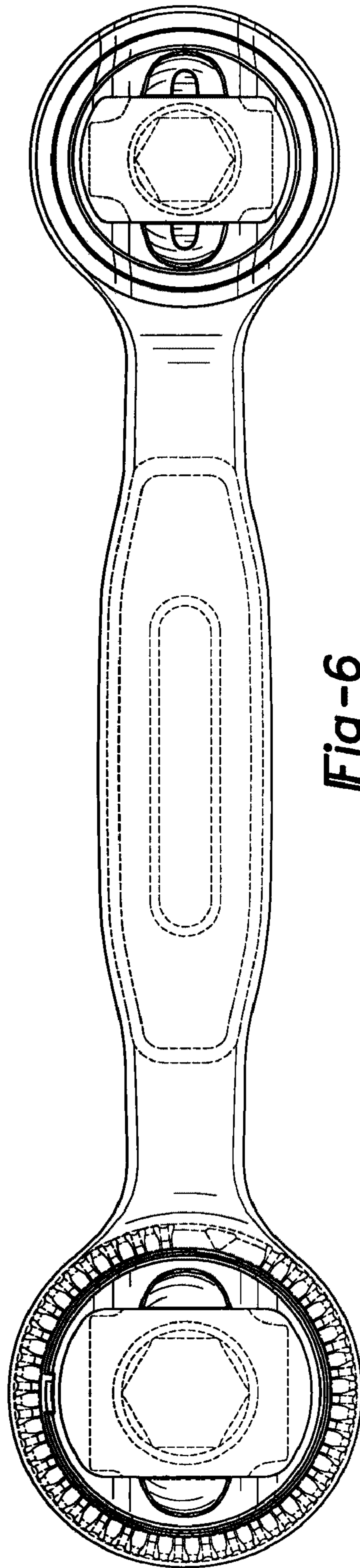


Fig-6

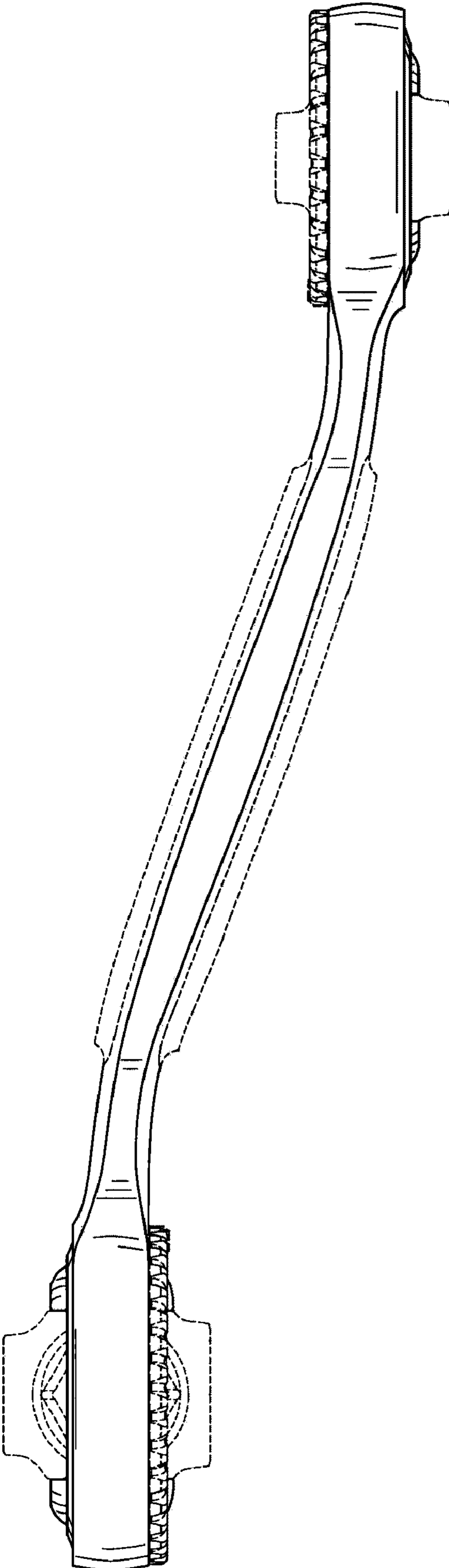


Fig-7

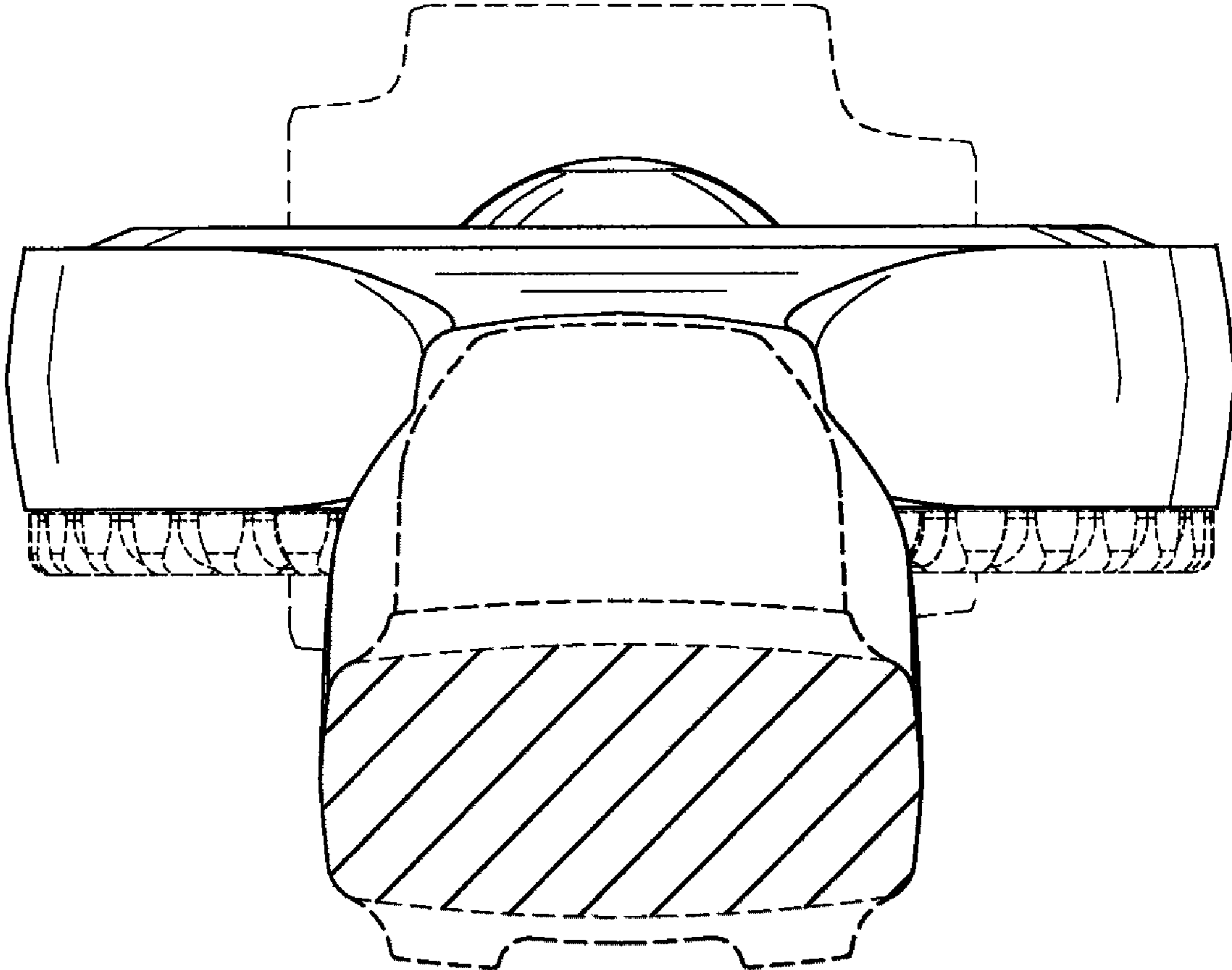


Fig-8