



US00D622564S

(12) **United States Design Patent**
Huang

(10) **Patent No.:** **US D622,564 S**

(45) **Date of Patent:** **** Aug. 31, 2010**

(54) **HAND TOOL**

(76) Inventor: **Chin-Tan Huang**, No. 39, Lane 240,
Liren Road, Dali City, Taichung County
(TW)

(**) Term: **14 Years**

(21) Appl. No.: **29/358,601**

(22) Filed: **Mar. 30, 2010**

(51) **LOC (9) Cl.** **08-05**

(52) **U.S. Cl.** **D8/25**

(58) **Field of Classification Search** D8/21-29,
D8/40, 42, 98; 81/58.3-59.16, 177.1, 177.85,
81/121.1, 124.3, 165-170, 110.1, 176.2,
81/124.6, 176.1, 176.15, 60, 62, 177.2; 16/110.1;
D15/144.1; 219/75, 227, 229, 121.16, 121.18
See application file for complete search history.

(56) **References Cited**

U.S. PATENT DOCUMENTS

- D271,937 S * 12/1983 Combs D8/83
- D292,771 S * 11/1987 Kim D8/25
- D387,964 S * 12/1997 Urvoy D8/83
- D400,430 S * 11/1998 McDonough et al. D8/387
- 6,079,298 A * 6/2000 Gasperi et al. 81/63.1

- 6,138,531 A * 10/2000 Lamons 81/60
- D470,369 S * 2/2003 Byram et al. D8/25
- D472,947 S * 4/2003 Wu D21/694
- D496,845 S * 10/2004 Smeja et al. D8/107
- 7,240,527 B2 * 7/2007 Boyd 70/456 R
- 7,448,300 B2 * 11/2008 Barniak, Jr. 81/124.2

* cited by examiner

Primary Examiner—Raphael Barkai

Assistant Examiner—Randall H Gholson

(74) *Attorney, Agent, or Firm*—Shook, Hardy & Bacon L.L.P.

(57) **CLAIM**

The ornamental design for hand tool, as shown and described.

DESCRIPTION

FIG. 1 is a perspective view of hand tool showing my new design;

FIG. 2 is a front elevational view thereof;

FIG. 3 is a rear elevational view thereof;

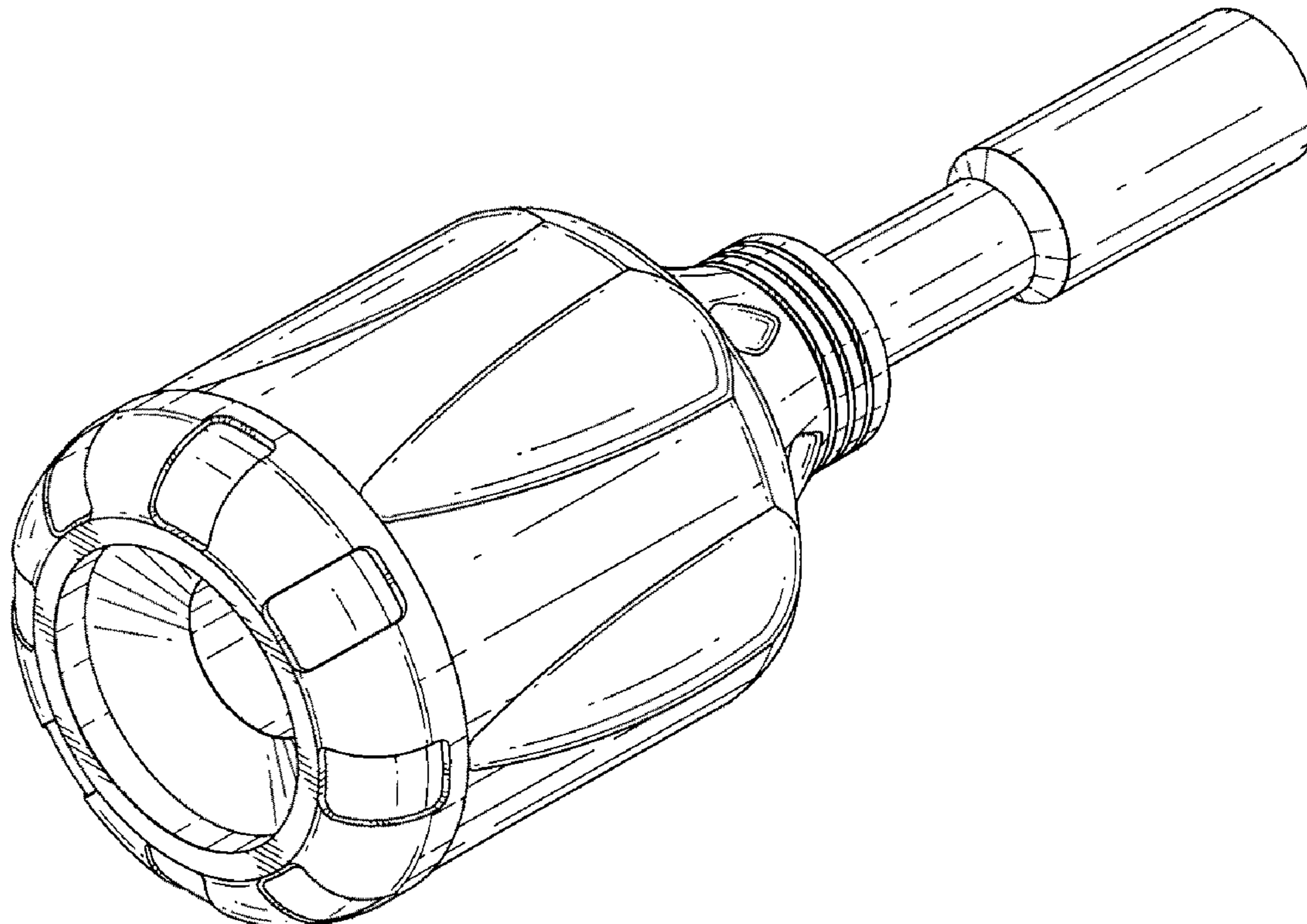
FIG. 4 is a left side elevational view thereof;

FIG. 5 is a right side elevational view thereof;

FIG. 6 is a top plan view thereof; and,

FIG. 7 is a bottom plan view thereof.

1 Claim, 4 Drawing Sheets



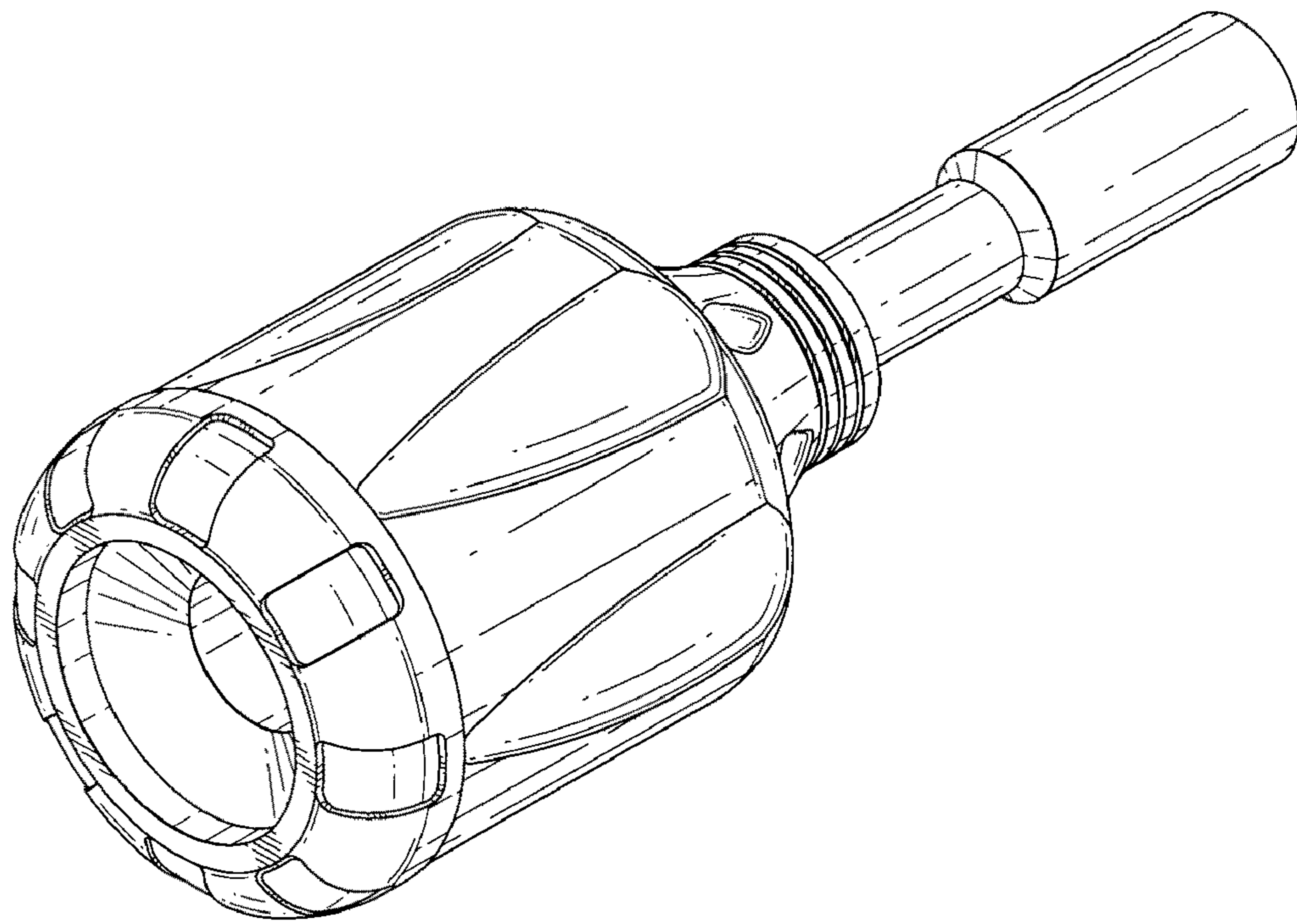


FIG. 1

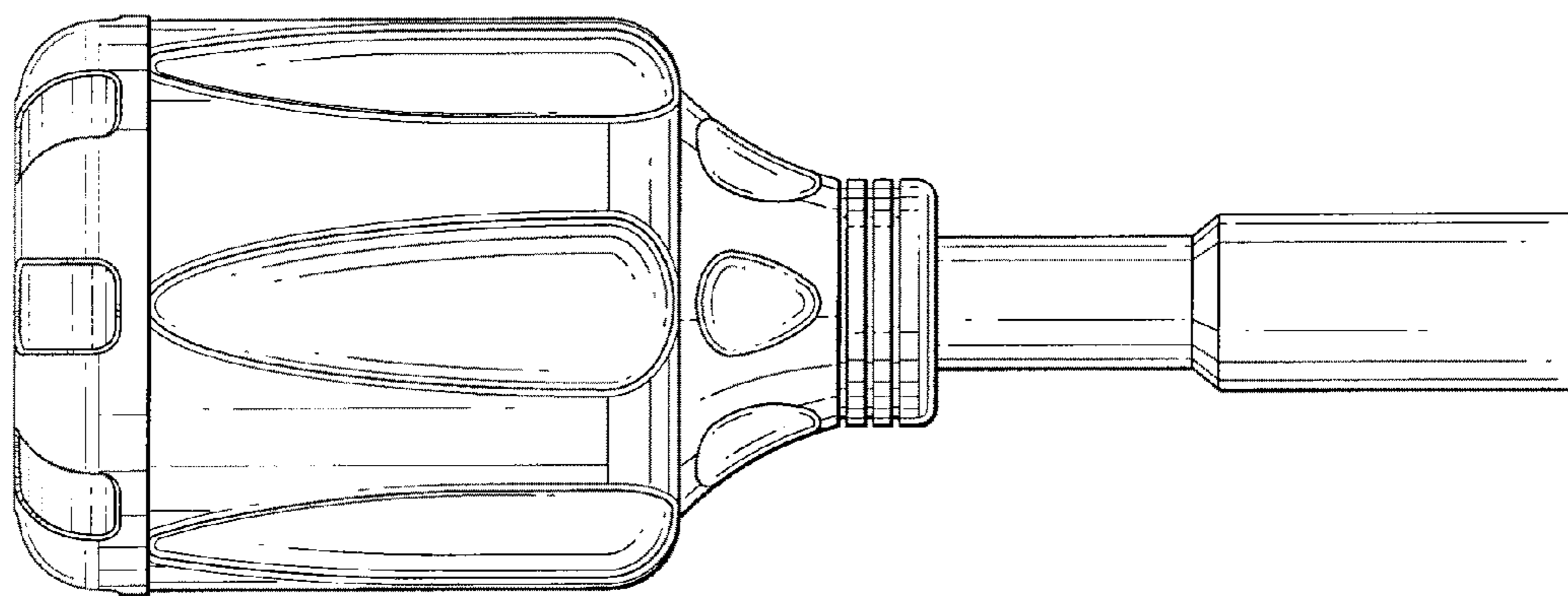


FIG. 2

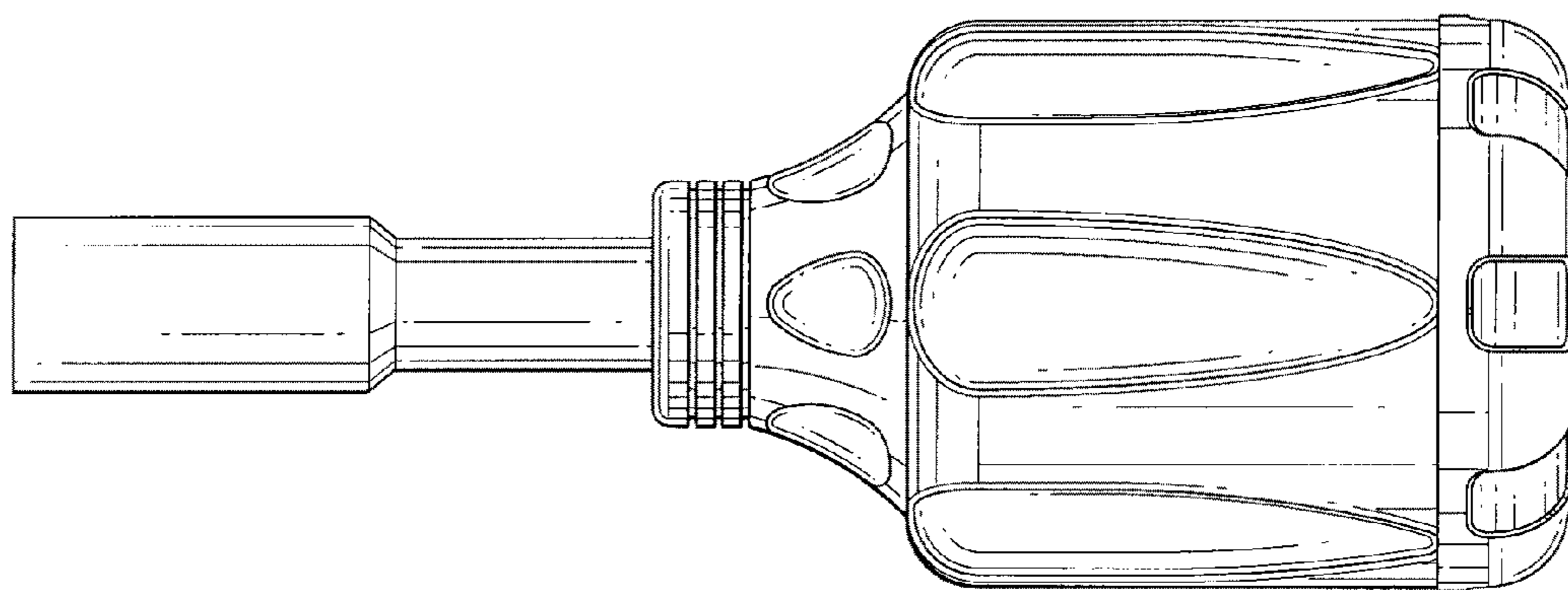


FIG. 3

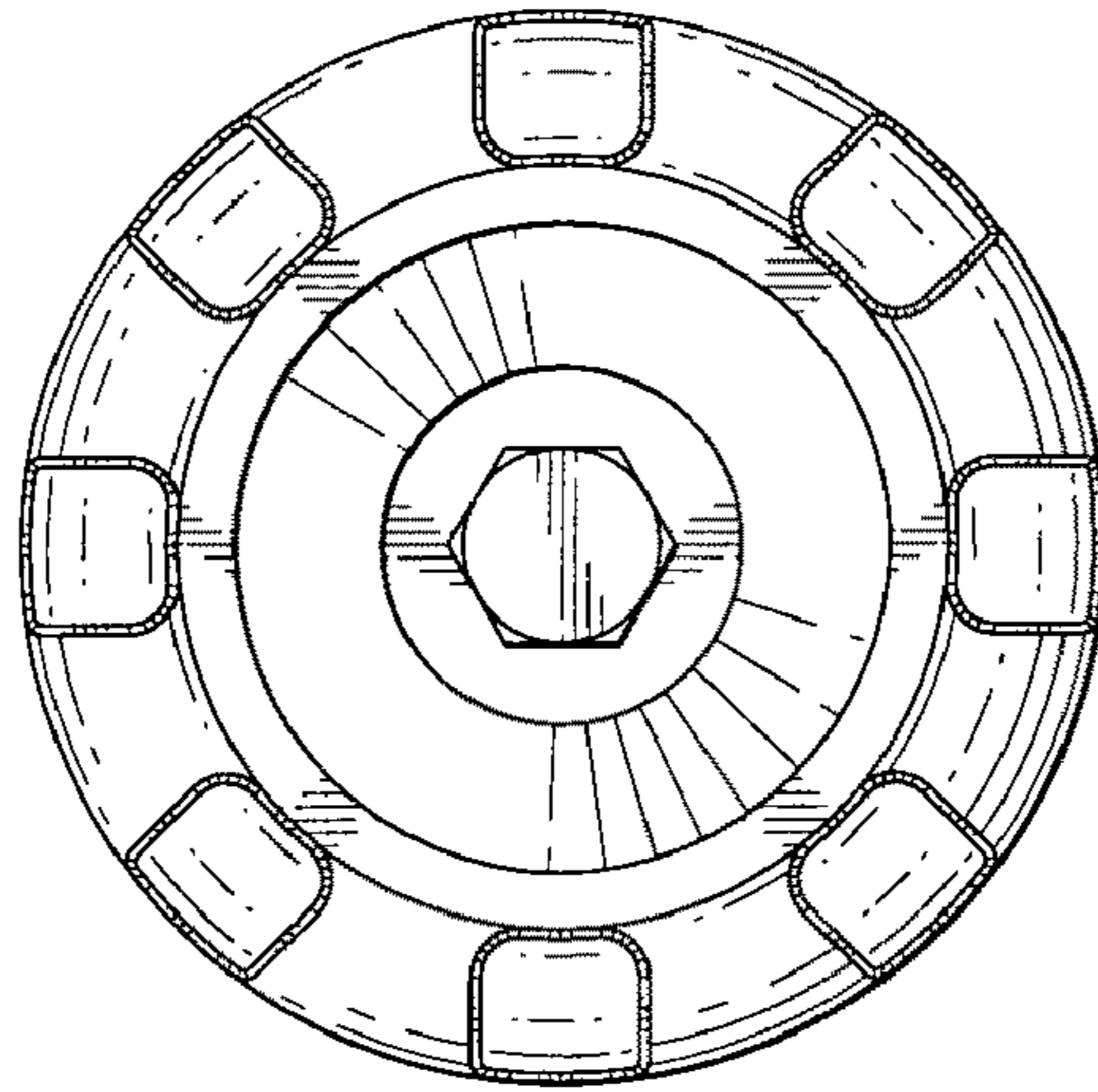


FIG. 4

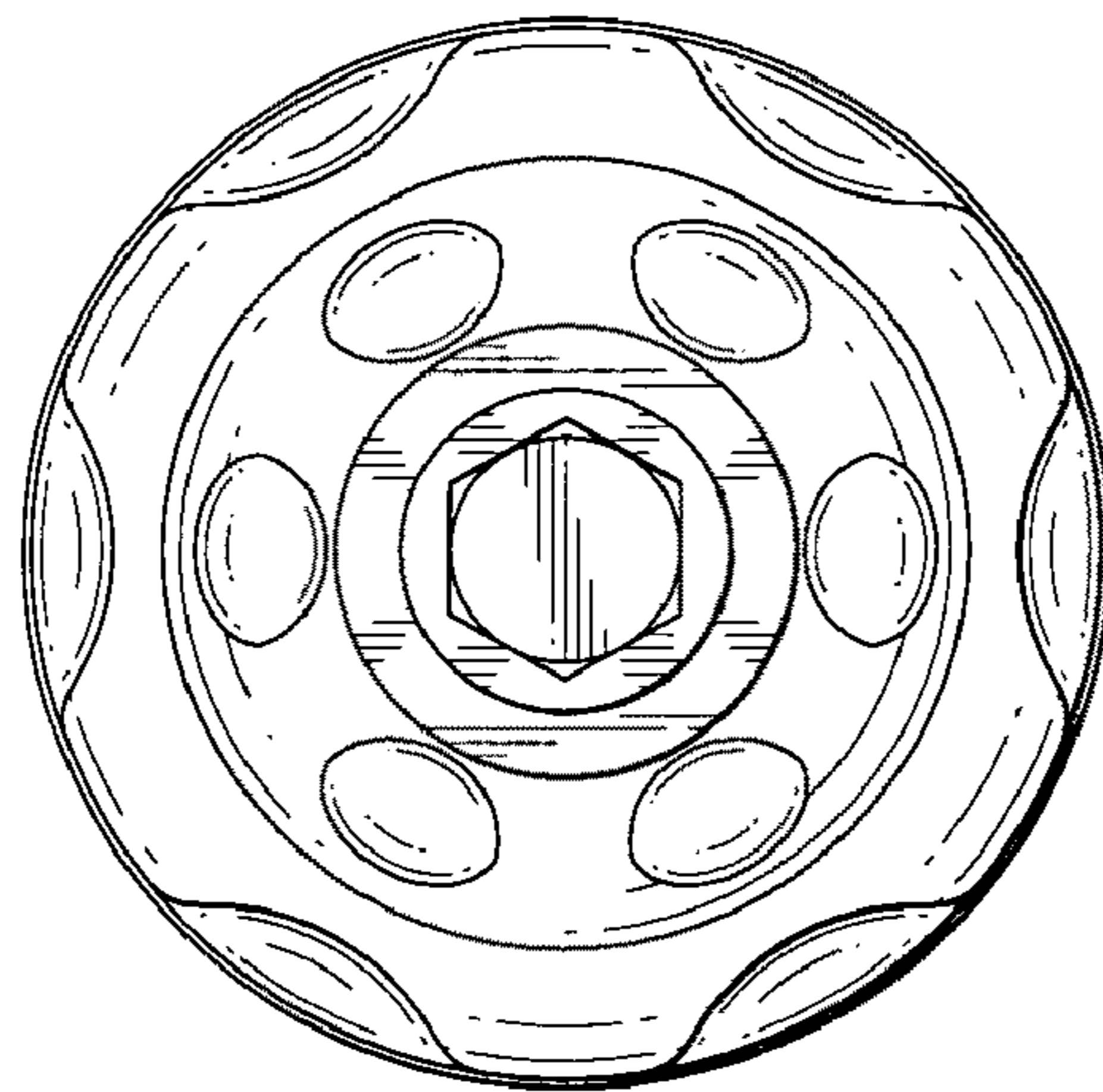


FIG. 5

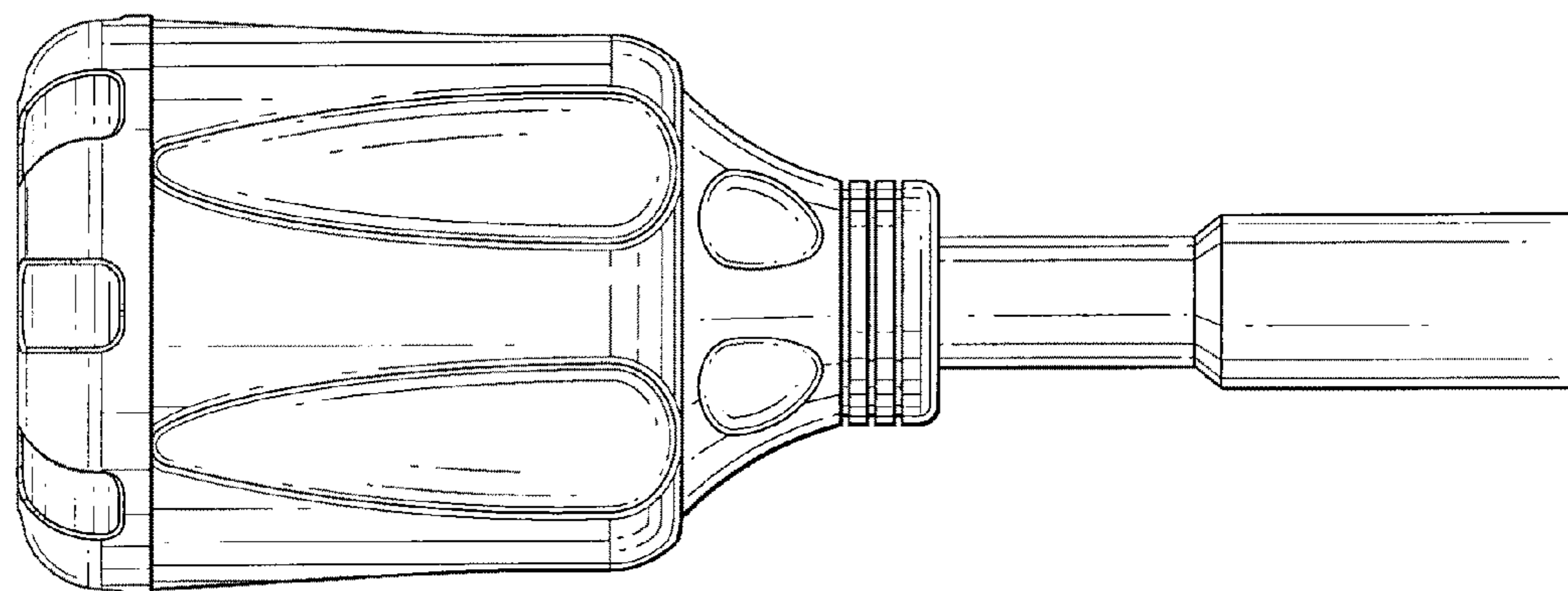


FIG. 6

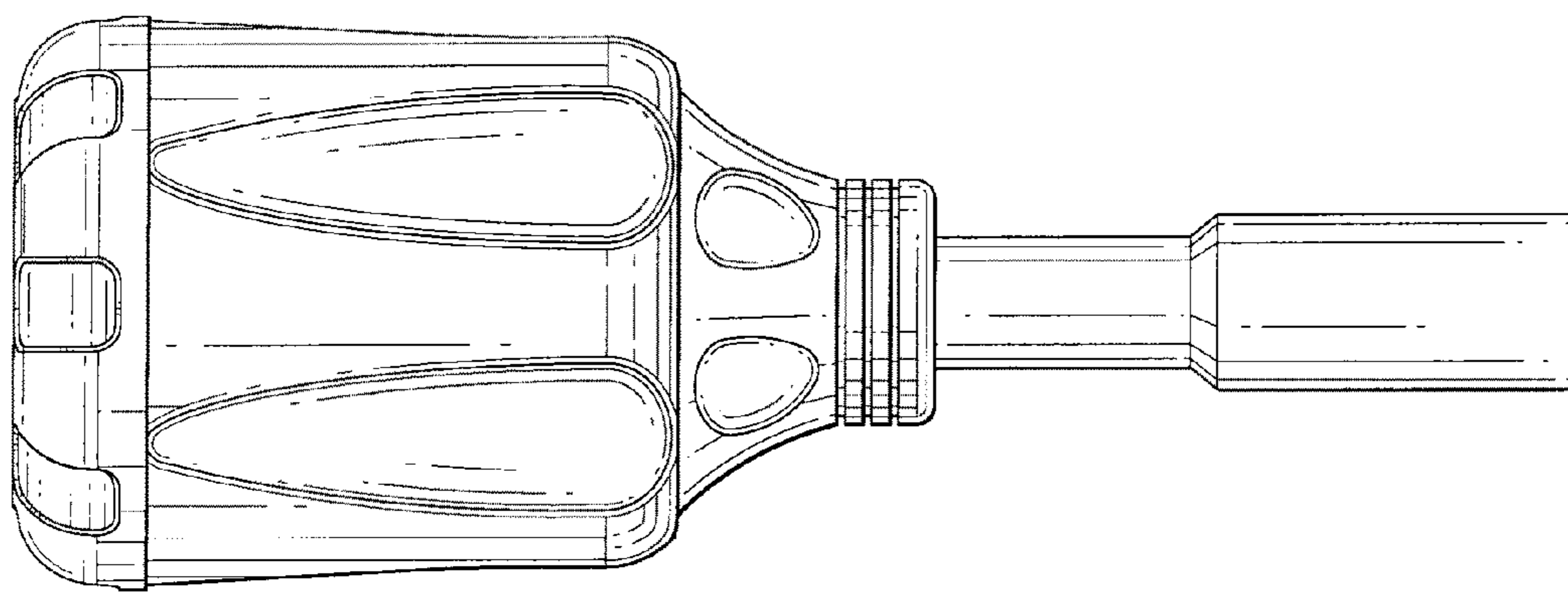


FIG. 7