



US00D622563S

(12) **United States Design Patent**  
**Stindel et al.**

(10) **Patent No.:** **US D622,563 S**

(45) **Date of Patent:** **\*\* Aug. 31, 2010**

(54) **GAS CAP REMOVAL AND CLOSURE TOOL**

(76) Inventors: **Carl F. Stindel**, 5252 Summerfield Dr.,  
Imperial, MO (US) 63052; **Shelby A.**  
**Stindel**, 5252 Summerfield Dr., Imperial,  
MO (US) 63052

(\*\*) Term: **14 Years**

(21) Appl. No.: **29/358,163**

(22) Filed: **Mar. 23, 2010**

(51) **LOC (9) Cl.** ..... **08-05**

(52) **U.S. Cl.** ..... **D8/21**

(58) **Field of Classification Search** ..... D8/14,  
D8/17, 18, 19, 21-29, 33-43; 81/3.07-3.49,  
81/176.1, 176.15, 124.2, 119, 176.2, 125,  
81/124.7, 3.4, 121.1; 7/151-156; 87/124.6,  
87/124.7

See application file for complete search history.

(56) **References Cited**

**U.S. PATENT DOCUMENTS**

D329,178 S \* 9/1992 Ackerman ..... D8/21  
D366,403 S \* 1/1996 Yearwood ..... D8/27  
5,697,268 A \* 12/1997 Makovsky et al. .... 81/125  
D392,856 S \* 3/1998 Shaw et al. .... D8/14  
5,782,148 A \* 7/1998 Kerkhoven ..... 81/124.6  
5,896,785 A \* 4/1999 Shaw et al. .... 81/3.4

D410,367 S \* 6/1999 Applegate et al. .... D8/27  
D432,878 S \* 10/2000 Gray ..... D8/21  
D548,030 S \* 8/2007 Hertel et al. .... D8/29  
D558,010 S \* 12/2007 Uglum ..... D8/40  
2007/0039422 A1 \* 2/2007 Rogers ..... 81/124.2

\* cited by examiner

*Primary Examiner*—Raphael Barkai

*Assistant Examiner*—Randall H Gholson

(74) *Attorney, Agent, or Firm*—Kevin L. Klug

(57) **CLAIM**

The ornamental design for a gas cap removal and closure tool,  
as shown and described.

**DESCRIPTION**

FIG. 1 is a front top left perspective view of a gas cap removal  
and closure tool;

FIG. 2 is a front bottom left perspective view thereof;

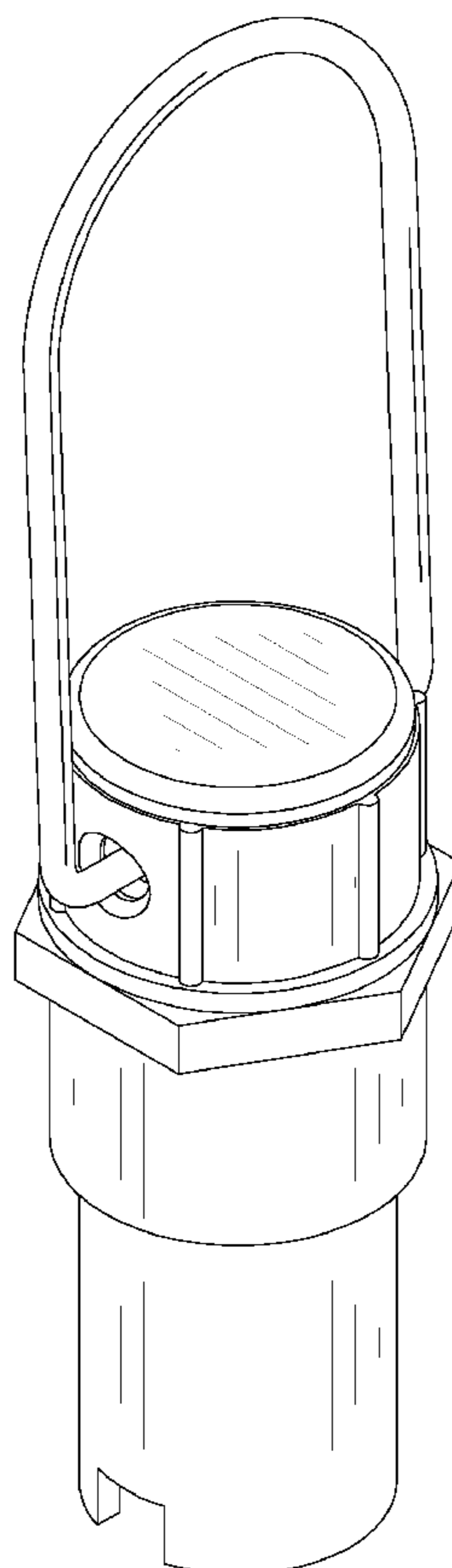
FIG. 3 is a front side plan view thereof, a rear plan view being  
a mirror image;

FIG. 4 is a left side plan view thereof, a right side plan view  
being a mirror image;

FIG. 5 is a top plan view thereof; and,

FIG. 6 is a bottom plan view thereof.

**1 Claim, 5 Drawing Sheets**



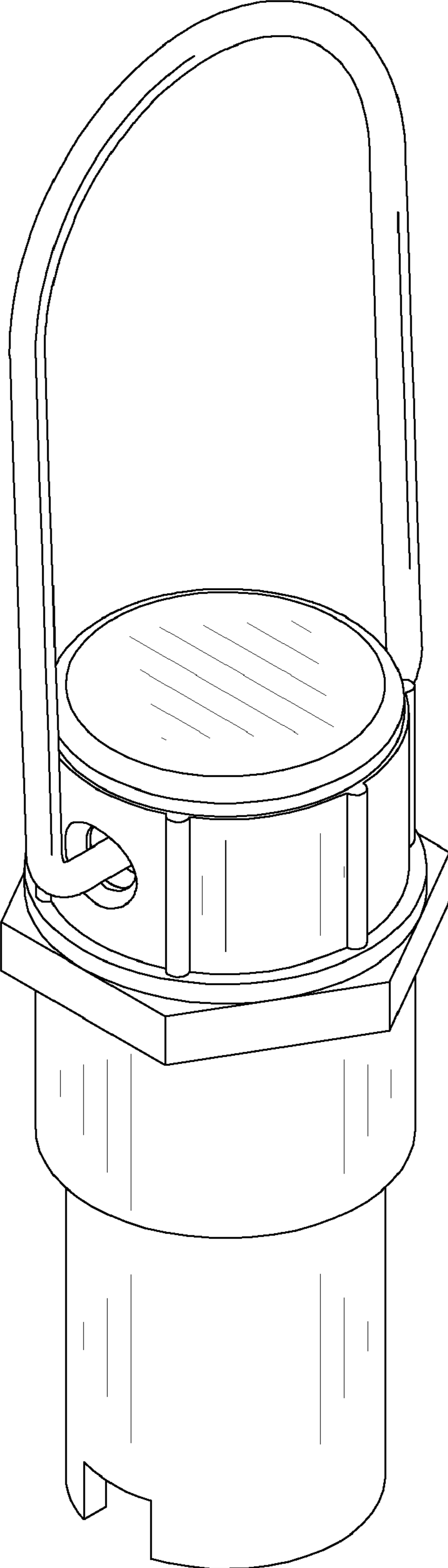


Fig. 1

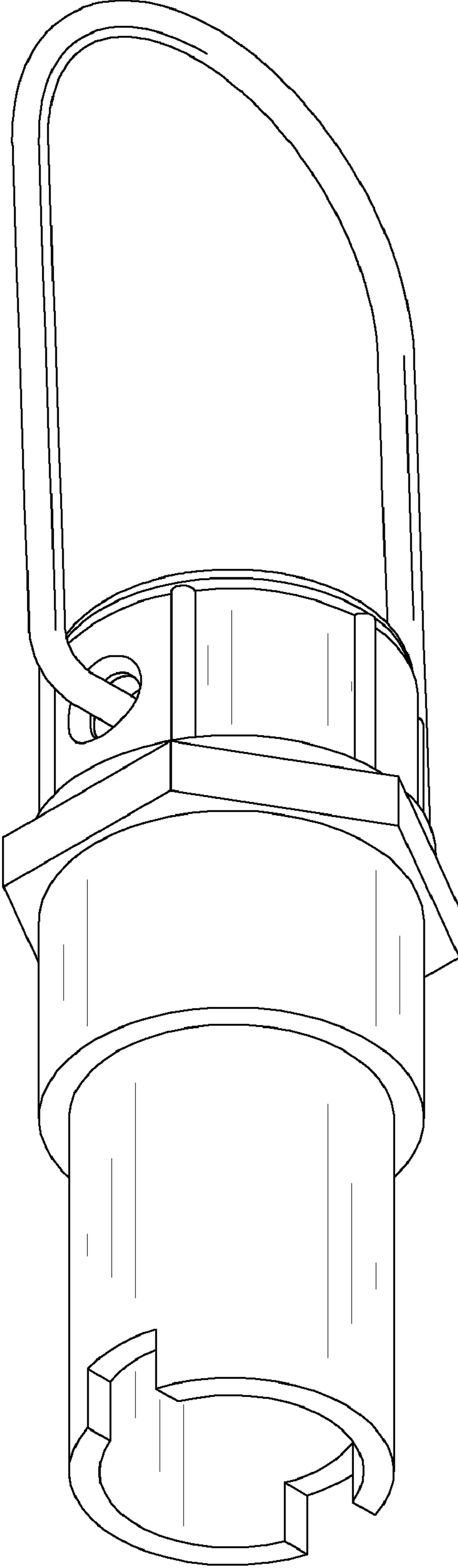


Fig. 2

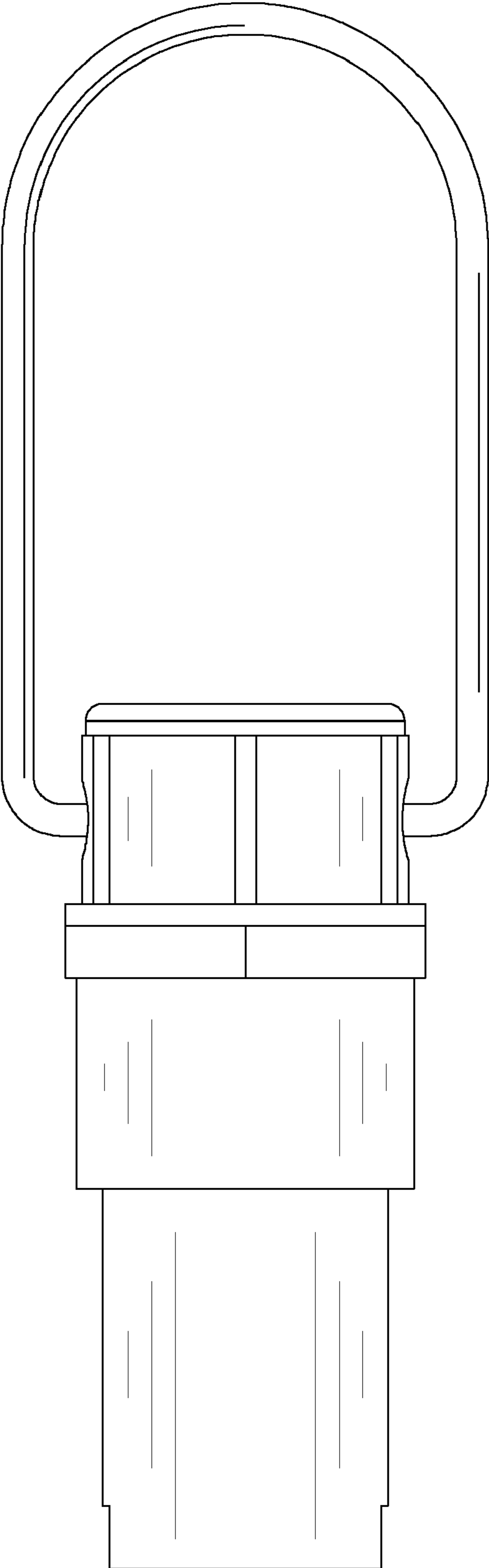


Fig. 3

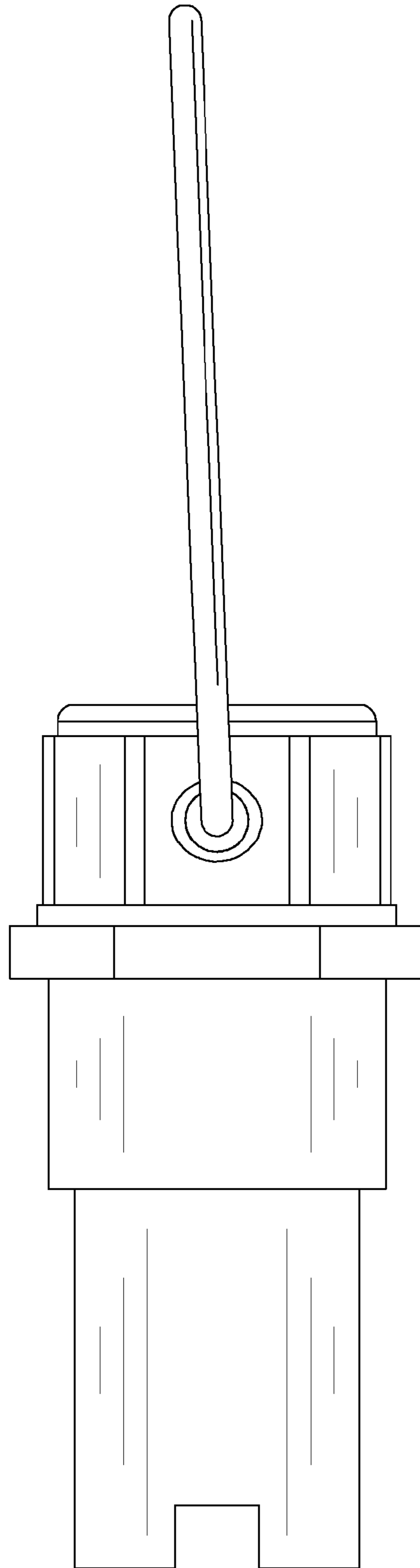


Fig. 4

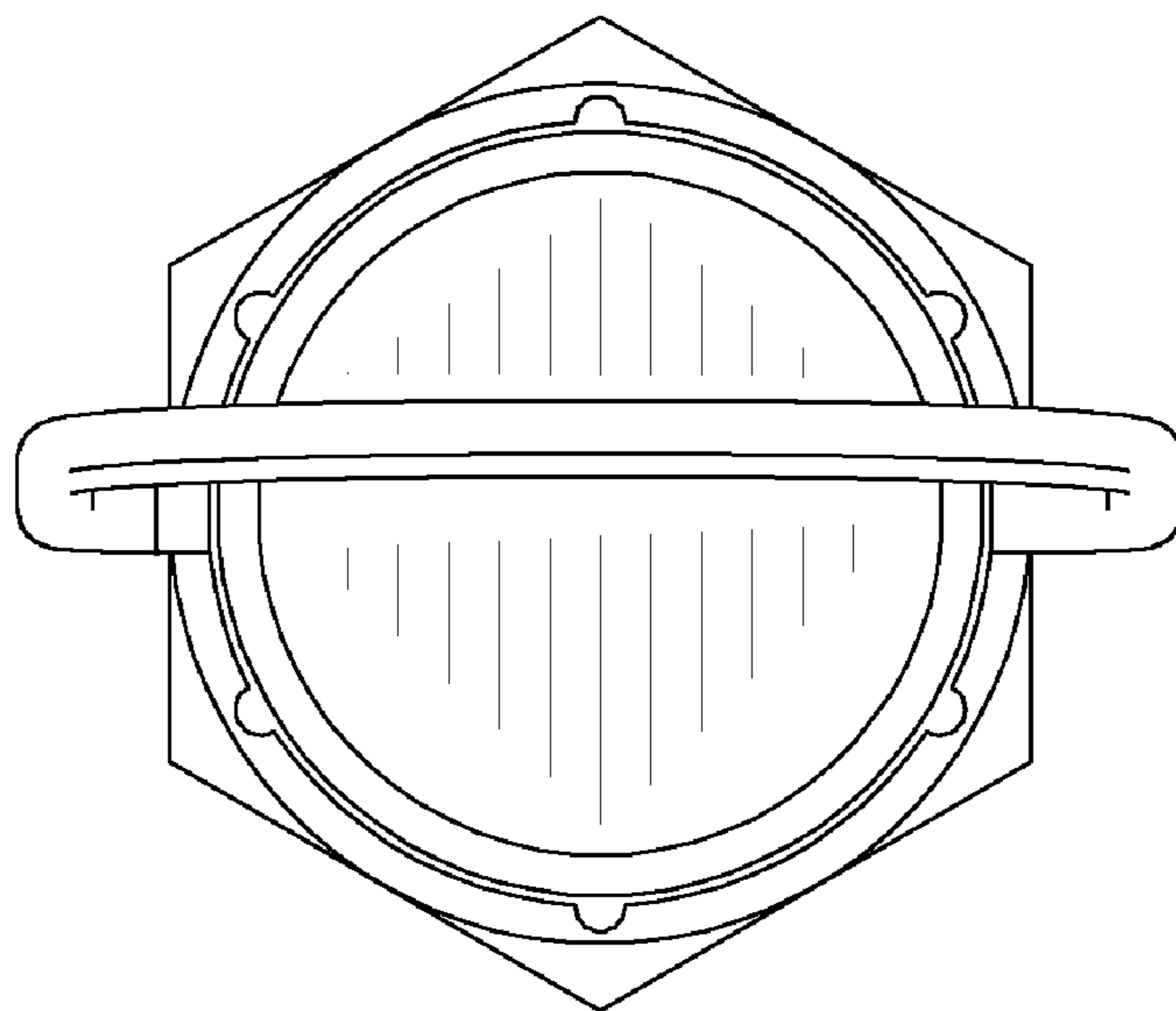


Fig. 5

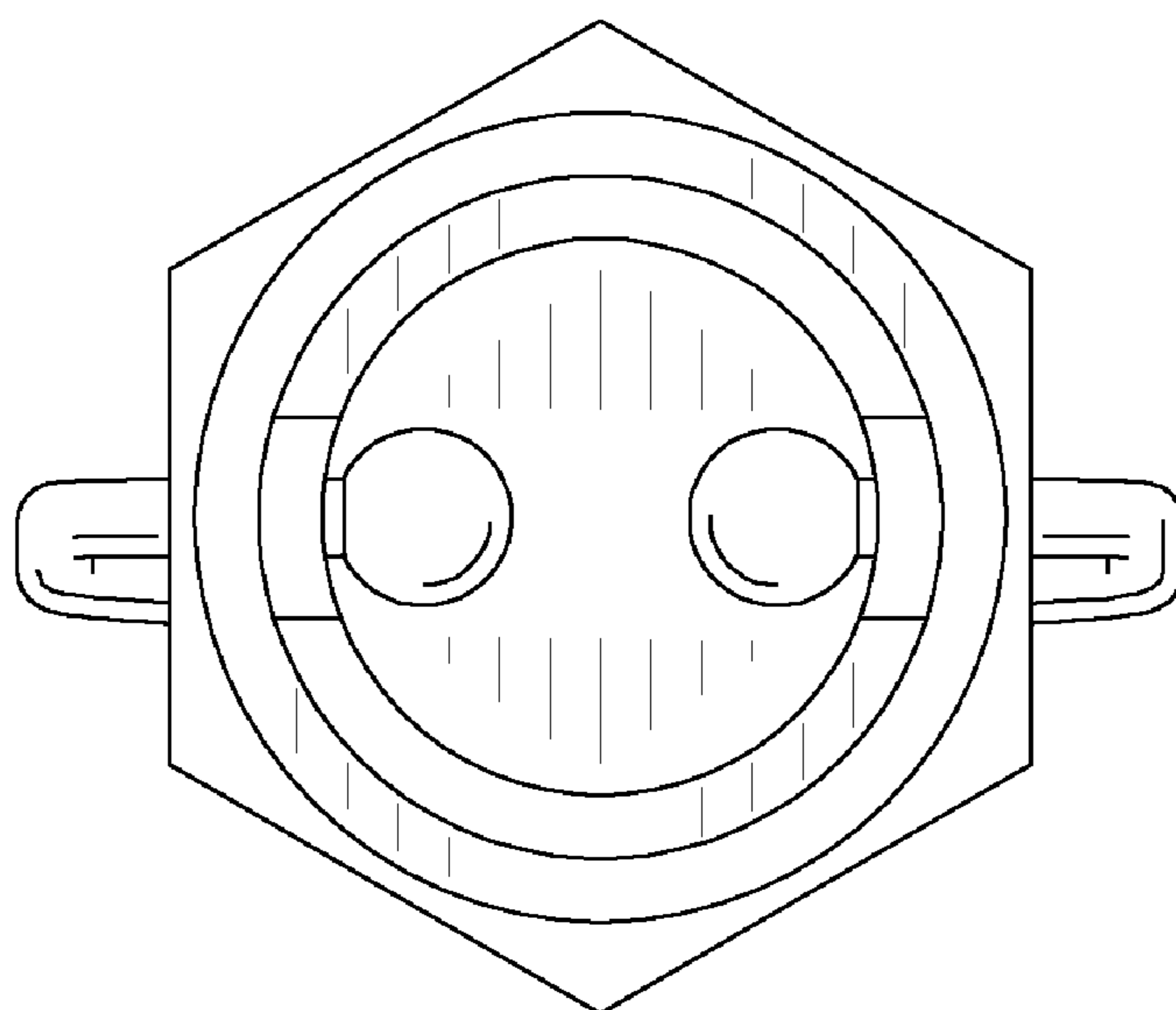


Fig. 6