



US00D622561S

(12) **United States Design Patent**  
**Brown, III**

(10) **Patent No.:** **US D622,561 S**

(45) **Date of Patent:** **\*\* Aug. 31, 2010**

(54) **SKATEBOARD TOOL**

(75) Inventor: **David Harvey Brown, III**, La Jolla, CA  
(US)

(73) Assignee: **Syndrome Distribution, Inc.**, Vista, CA  
(US)

(\*\*) Term: **14 Years**

(21) Appl. No.: **29/344,360**

(22) Filed: **Sep. 28, 2009**

(51) **LOC (9) Cl.** ..... **08-05**

(52) **U.S. Cl.** ..... **D8/14**

(58) **Field of Classification Search** ..... D8/14,  
D8/16, 17, 21, 28; 81/437-439, 489, 490,  
81/177.4; 7/138, 165, 139

See application file for complete search history.

(56) **References Cited**

**U.S. PATENT DOCUMENTS**

D397,015	S *	8/1998	Hall et al.	.....	D8/88
D400,066	S *	10/1998	Kelsey et al.	.....	D8/14
D433,892	S *	11/2000	Swank et al.	.....	D8/14
6,279,434	B1	8/2001	Brown		
6,502,483	B1 *	1/2003	Swank et al.	.....	81/437
7,127,766	B1 *	10/2006	Carter	.....	7/138
7,243,578	B2 *	7/2007	Burwell	.....	81/124.4

7,293,312	B2 *	11/2007	Chmelar	.....	7/165
7,305,907	B2 *	12/2007	Burwell	.....	81/60
7,530,295	B2 *	5/2009	Jones et al.	.....	81/124.4

\* cited by examiner

*Primary Examiner*—Prabhakar Deshmukh

(74) *Attorney, Agent, or Firm*—Gordon & Rees LLP

(57) **CLAIM**

The ornamental design for skateboard tool, as shown and described.

**DESCRIPTION**

FIG. 1 is a perspective view of the skateboard tool.

FIG. 2 is a rear elevation view of the skateboard tool.

FIG. 3 is a front elevation view of the skateboard tool.

FIG. 4 is a left side elevation view of the skateboard tool.

FIG. 5 is a right elevation view of the skateboard tool.

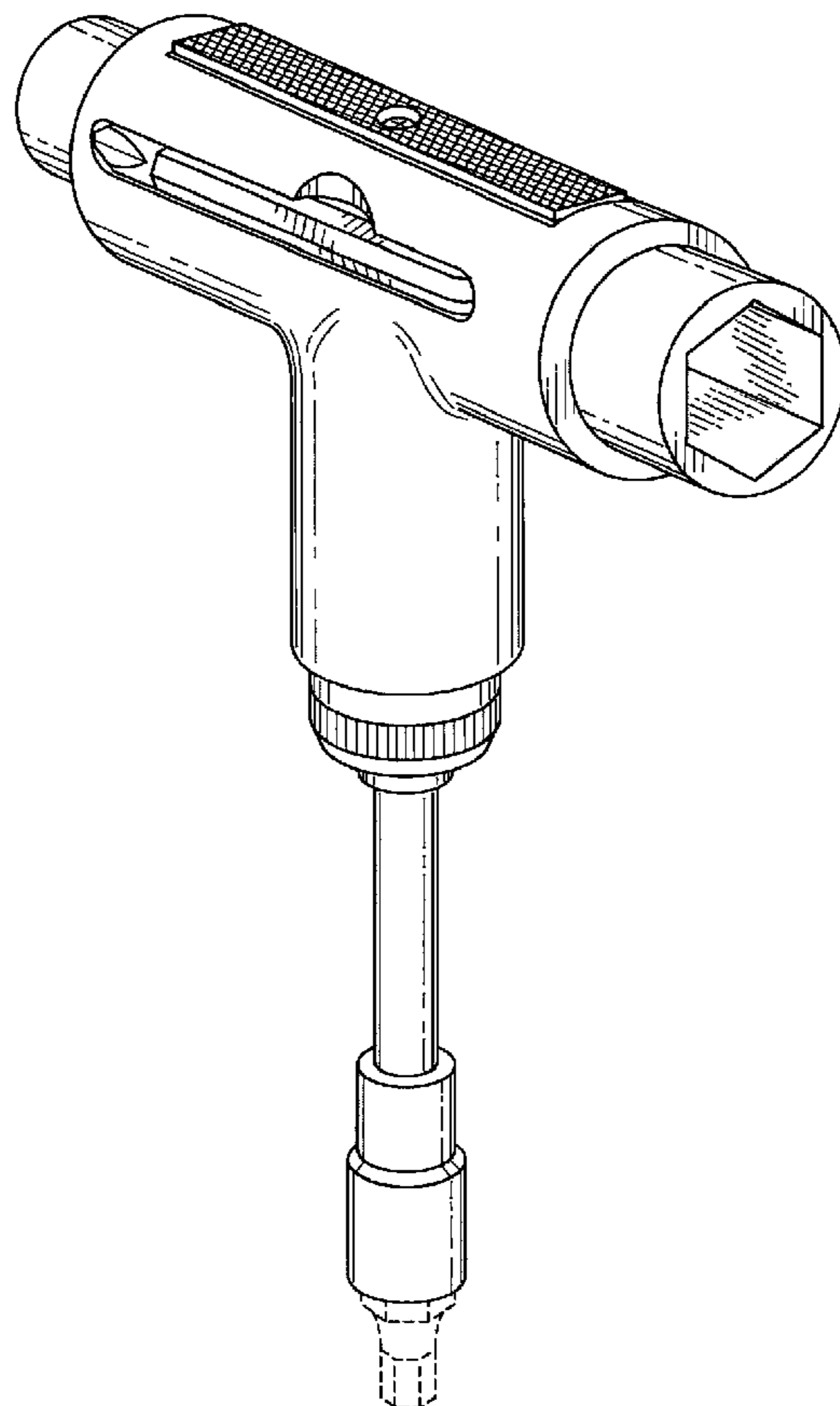
FIG. 6 is a top plan view of the skateboard tool.

FIG. 7 is a bottom plan view of the skateboard tool; and,

FIG. 8 is an exploded rear elevation view of the skateboard tool wherein the key is taken out from the handle.

The broken line showing is for illustrative purposes and forms no part of the claimed design.

**1 Claim, 6 Drawing Sheets**



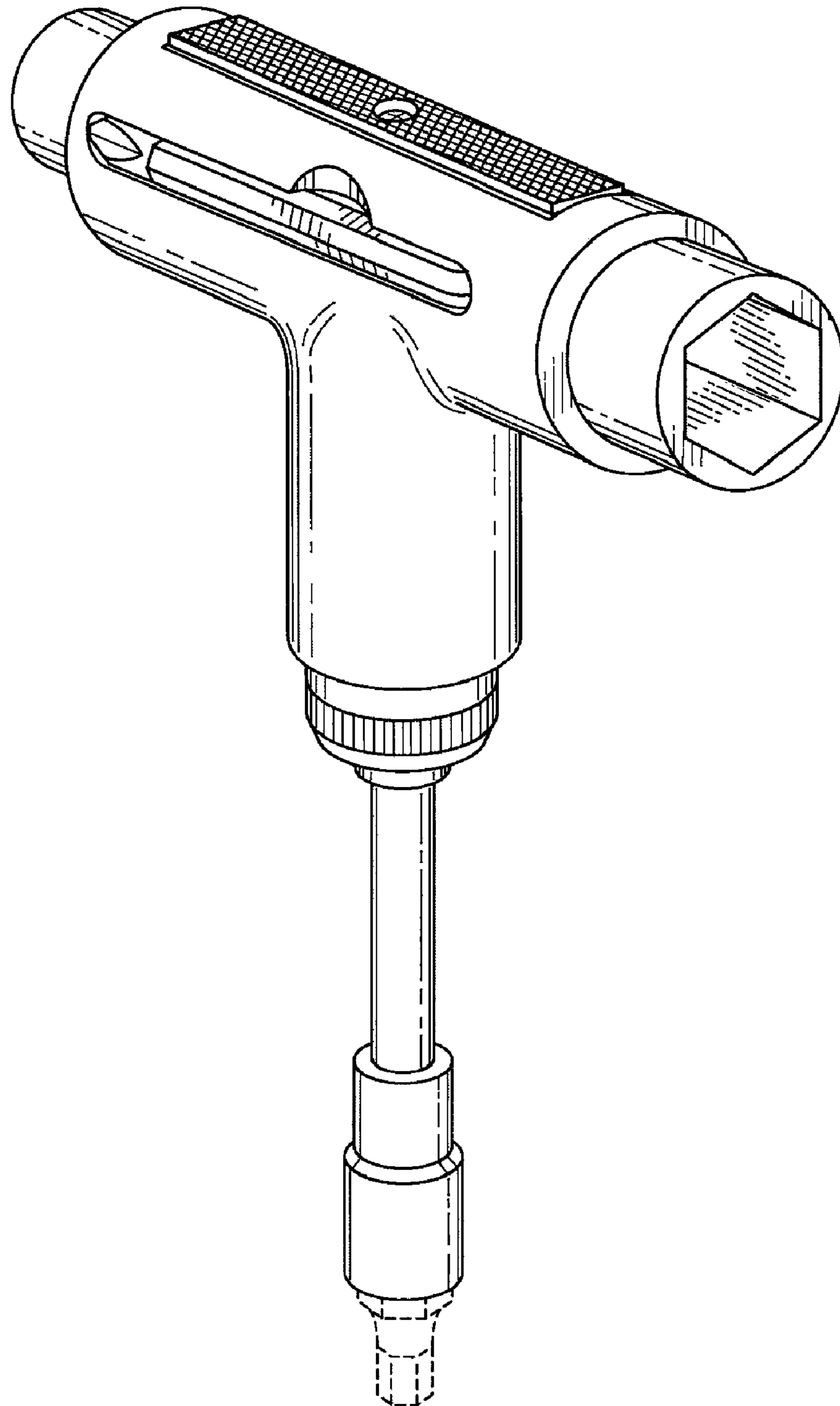


FIG. 1

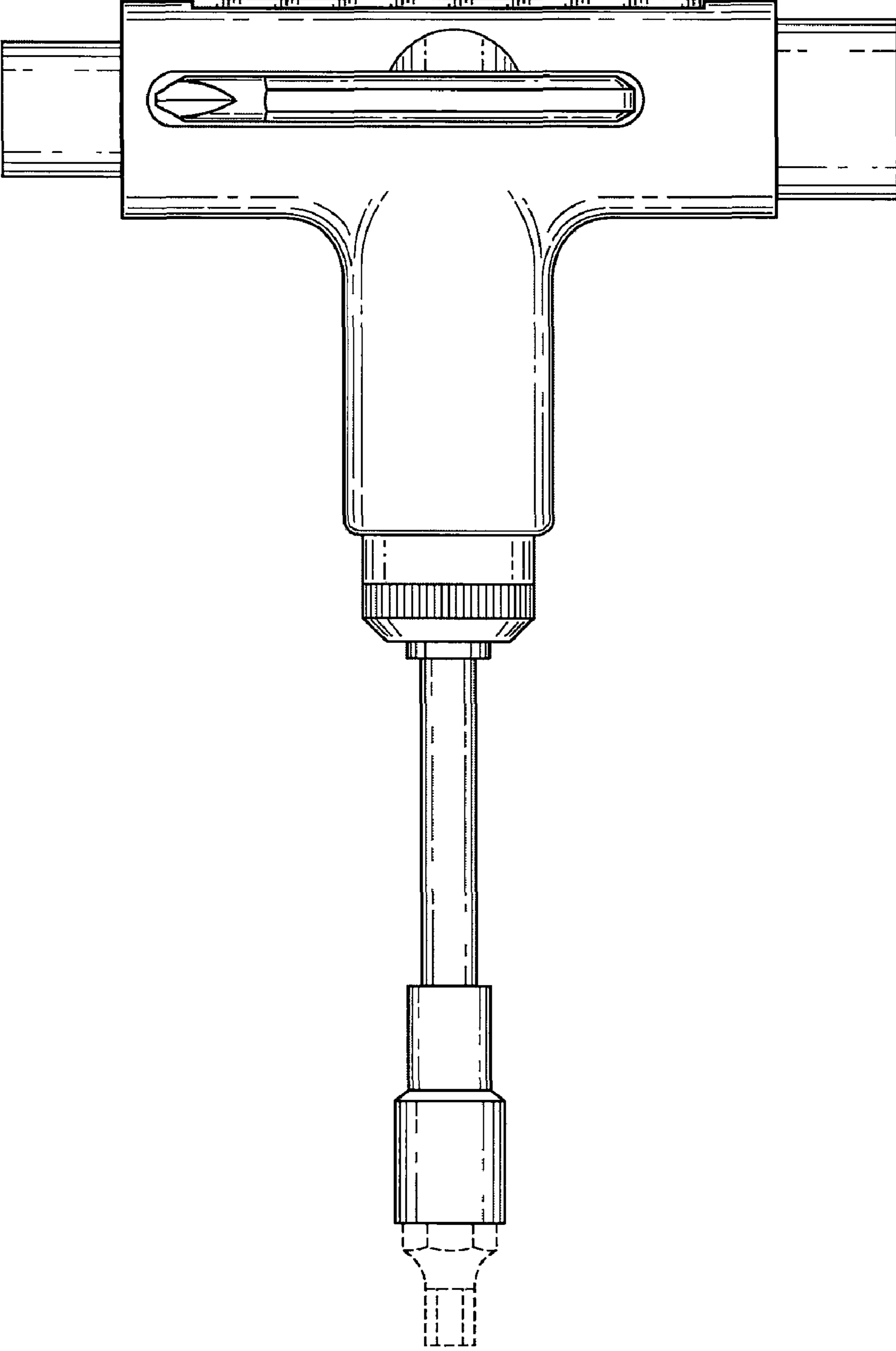


FIG. 2

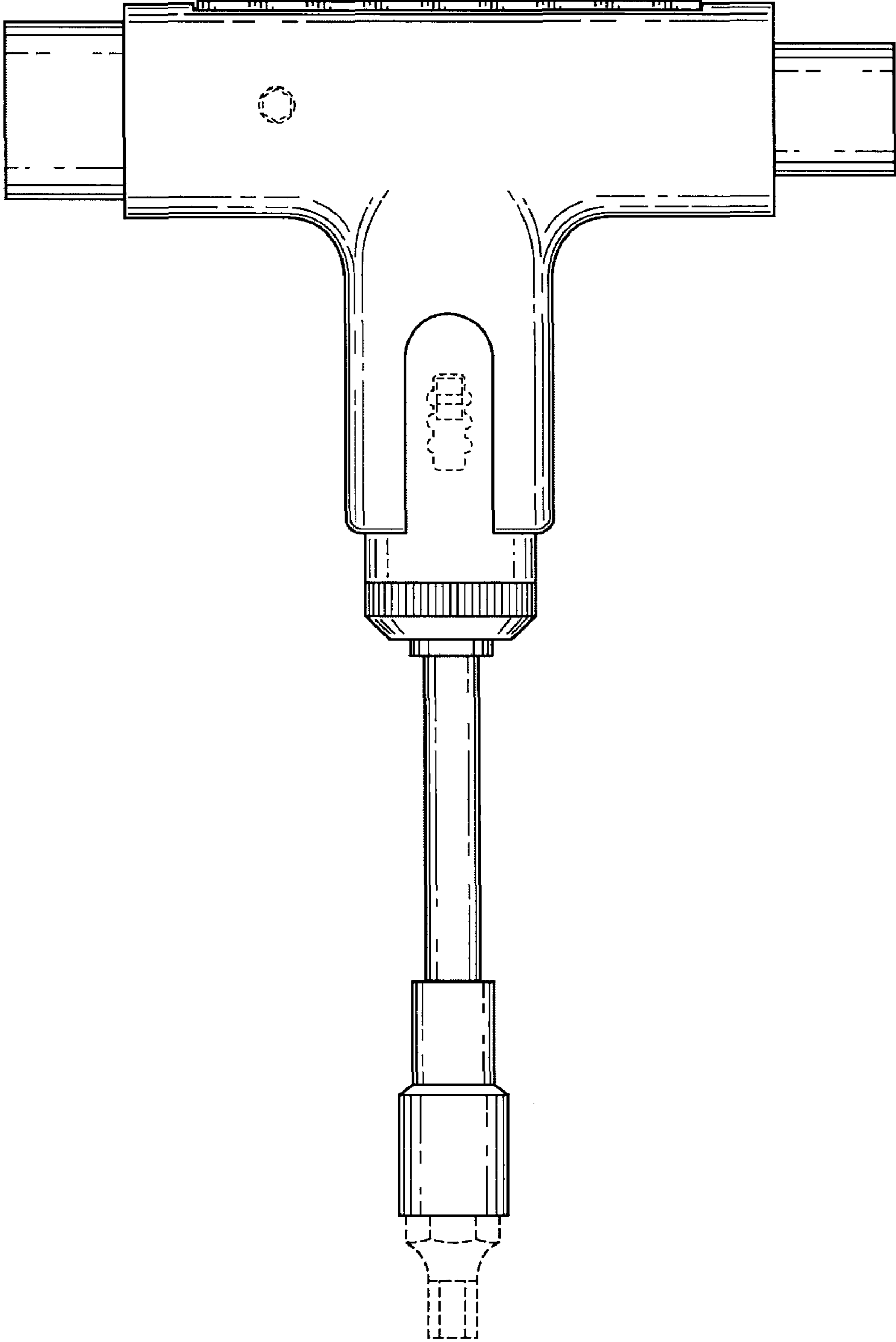


FIG. 3

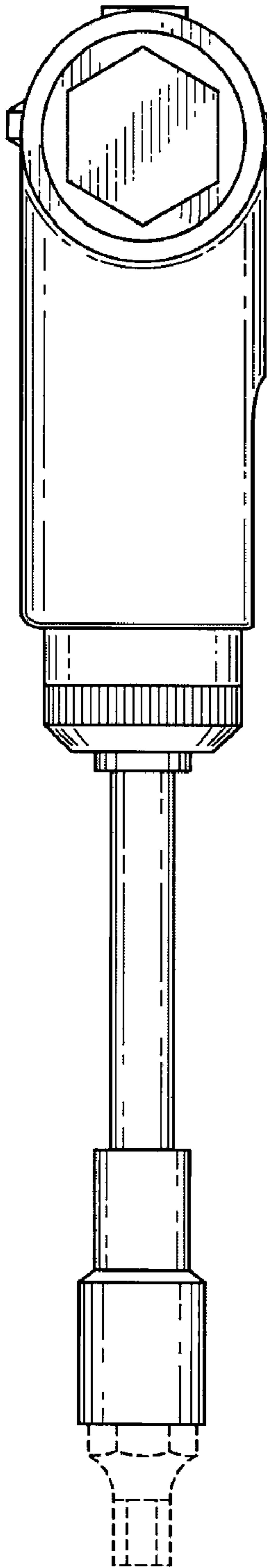


FIG. 4

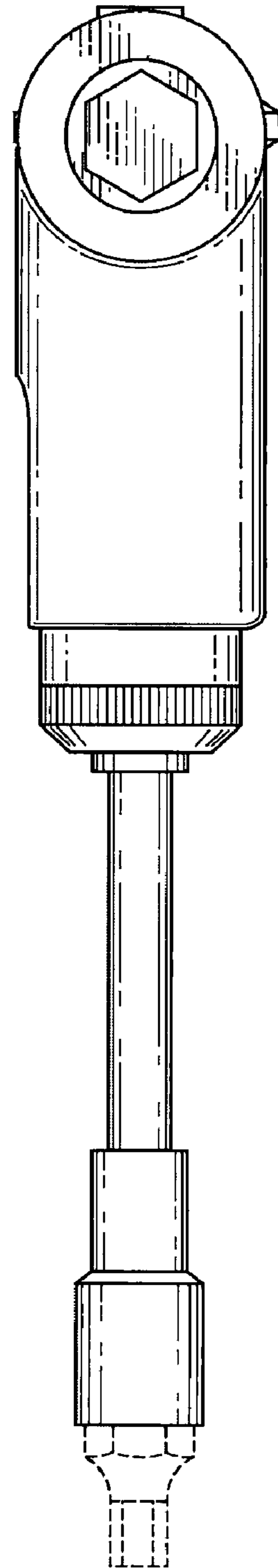


FIG. 5

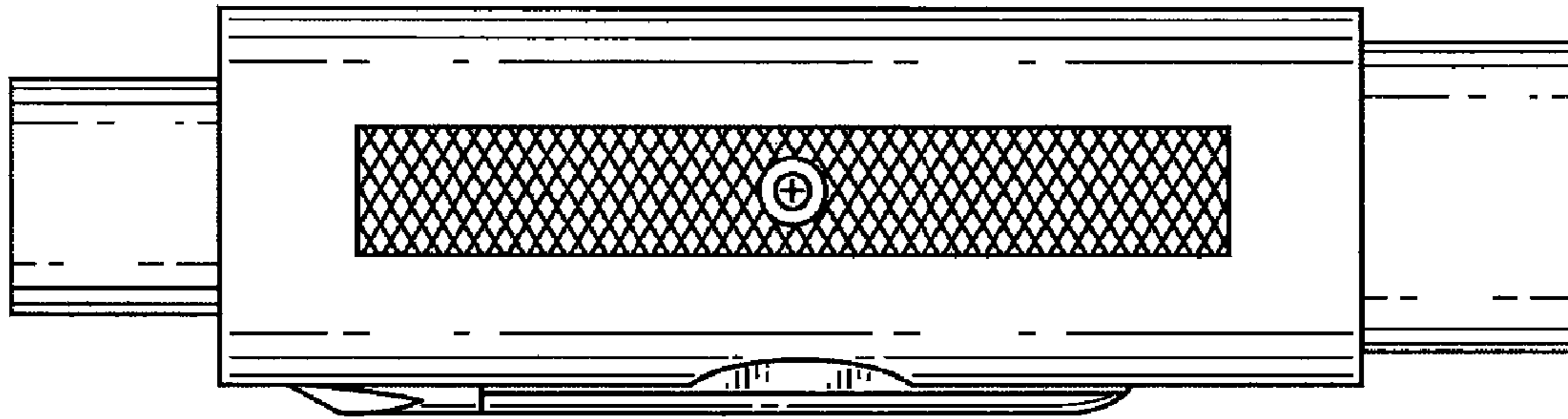


FIG. 6

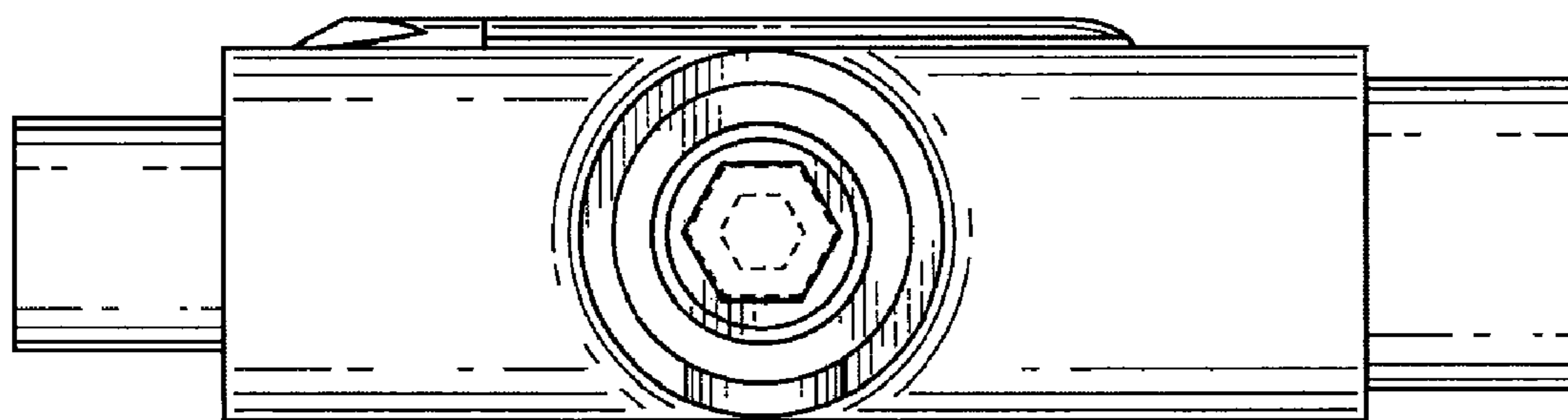


FIG. 7

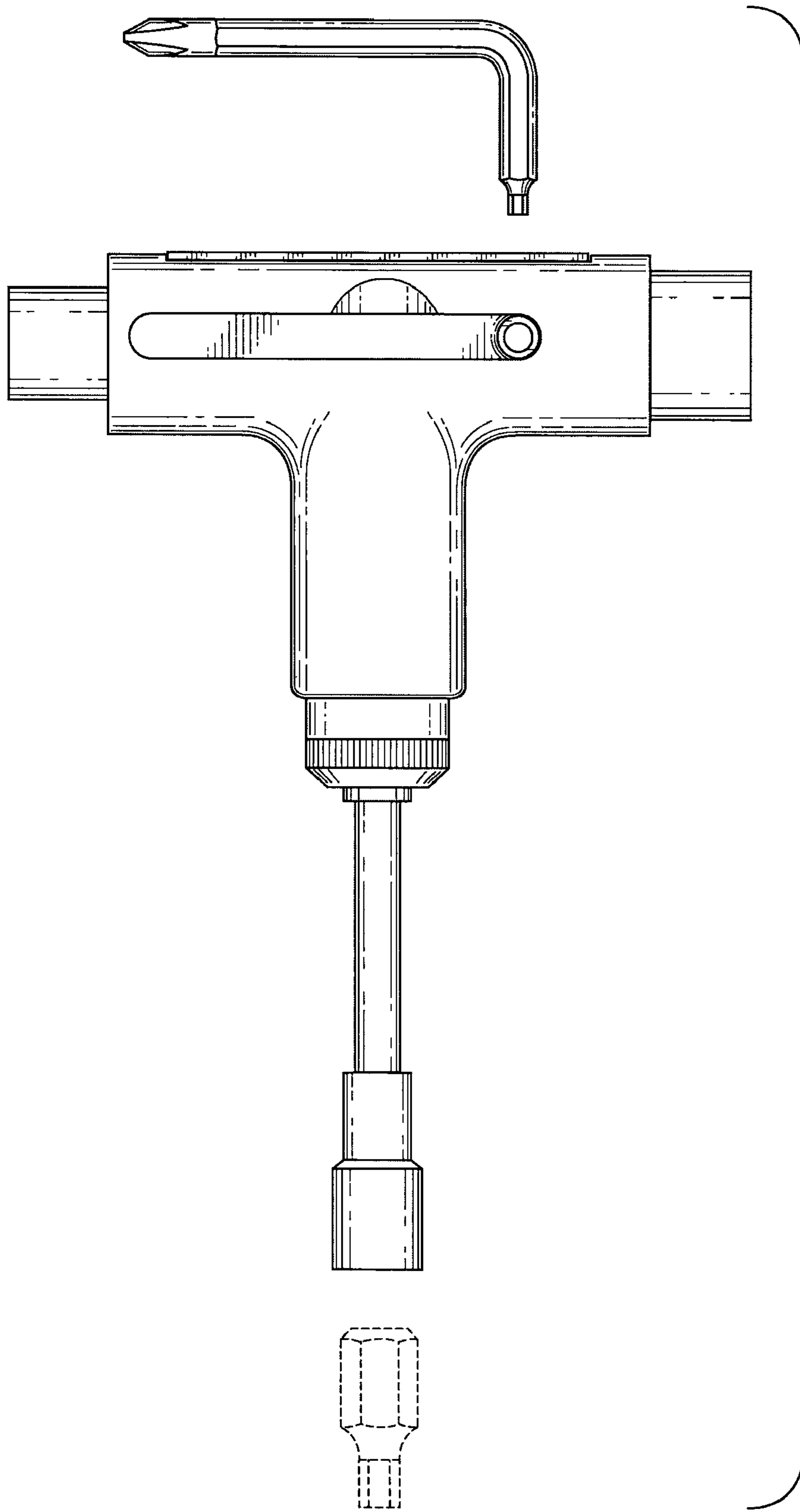


FIG. 8