

US00D622559S

(12) **United States Design Patent**
Brazier

(10) **Patent No.:** **US D622,559 S**

(45) **Date of Patent:** **** Aug. 31, 2010**

(54) **SEGMENTED PLANTING STAKE**

(57) **CLAIM**

(76) **Inventor:** **David Brazier**, 45015 State Highway 65,
Nashwauk, MN (US) 55769

The ornamental design for a segmented planting stake, as shown and described.

(**) **Term:** **14 Years**

DESCRIPTION

(21) **Appl. No.:** **29/316,564**

(22) **Filed:** **Oct. 8, 2009**

(51) **LOC (9) Cl.** **08-01**

(52) **U.S. Cl.** **D8/1**

(58) **Field of Classification Search** D8/1;
47/47, 43-46; D26/138; 135/118; 248/156

See application file for complete search history.

FIG. 1 is an orthographic plan drawing showing an assembled front view of my new design for a segmented planting stake and wherein the rear view is a mirror image.

FIG. 2 is an orthographic plan drawing showing a right side view of my segmented planting stake of FIG. 1 and wherein the left side view is a mirror image.

FIG. 3 is an orthographic plan drawing showing a bottom view of my segmented planting stake of FIG. 1.

FIG. 4 is an orthographic plan drawing showing a top view of my segmented planting stake of FIG. 1.

FIG. 5 is a perspective drawing of my segmented planting stake wherein the segments are disassembled for ease of illustration.

FIG. 6 is an orthographic plan drawing showing a front view of the ground stake piece of my segmented planting stake and wherein the rear view is a mirror image; and,

FIG. 7 is an orthographic plan drawing showing a right side view of the ground stake piece of my segmented planting stake and wherein the rear view is a mirror image.

(56) **References Cited**

U.S. PATENT DOCUMENTS

D335,802 S *	5/1993	Klump	D8/1
D349,434 S *	8/1994	Archambeau	D8/1
D379,417 S *	5/1997	Vachon	D8/1
D415,018 S *	10/1999	Uhler	D21/840
D438,435 S *	3/2001	Whyte	D8/1
D447,025 S *	8/2001	Hughes	D8/1
D577,966 S *	10/2008	Cosimo	D8/1

* cited by examiner

Primary Examiner—Holly H Baynham

Assistant Examiner—Sheryl Lane

(74) *Attorney, Agent, or Firm*—D. L. Tschida

1 Claim, 5 Drawing Sheets

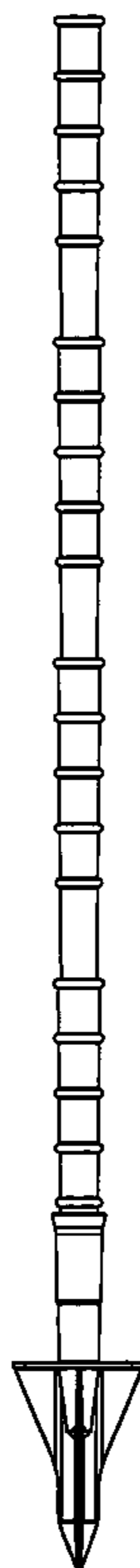


FIG. 1

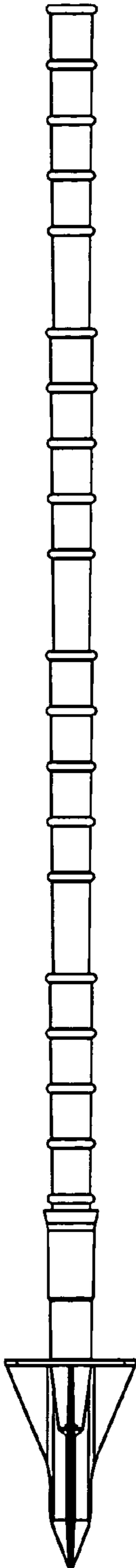


FIG. 2



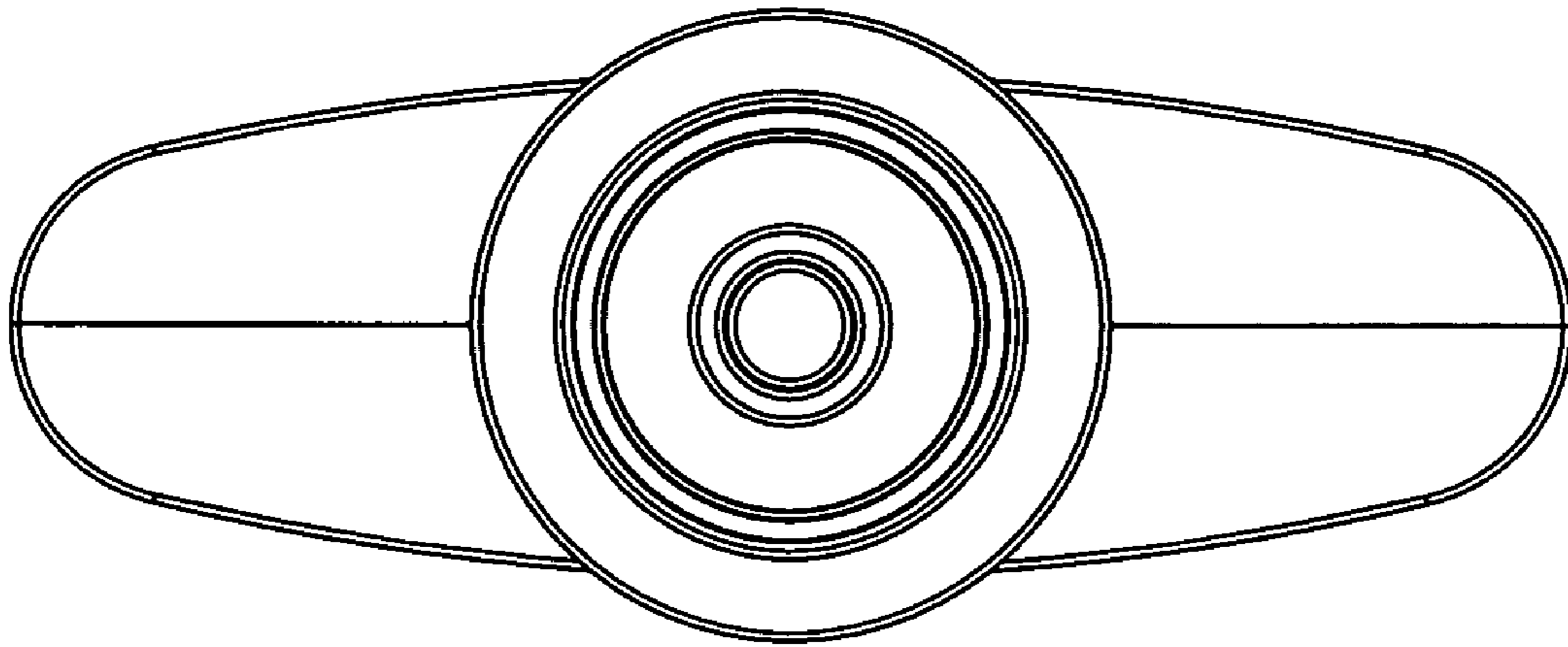


FIG. 4

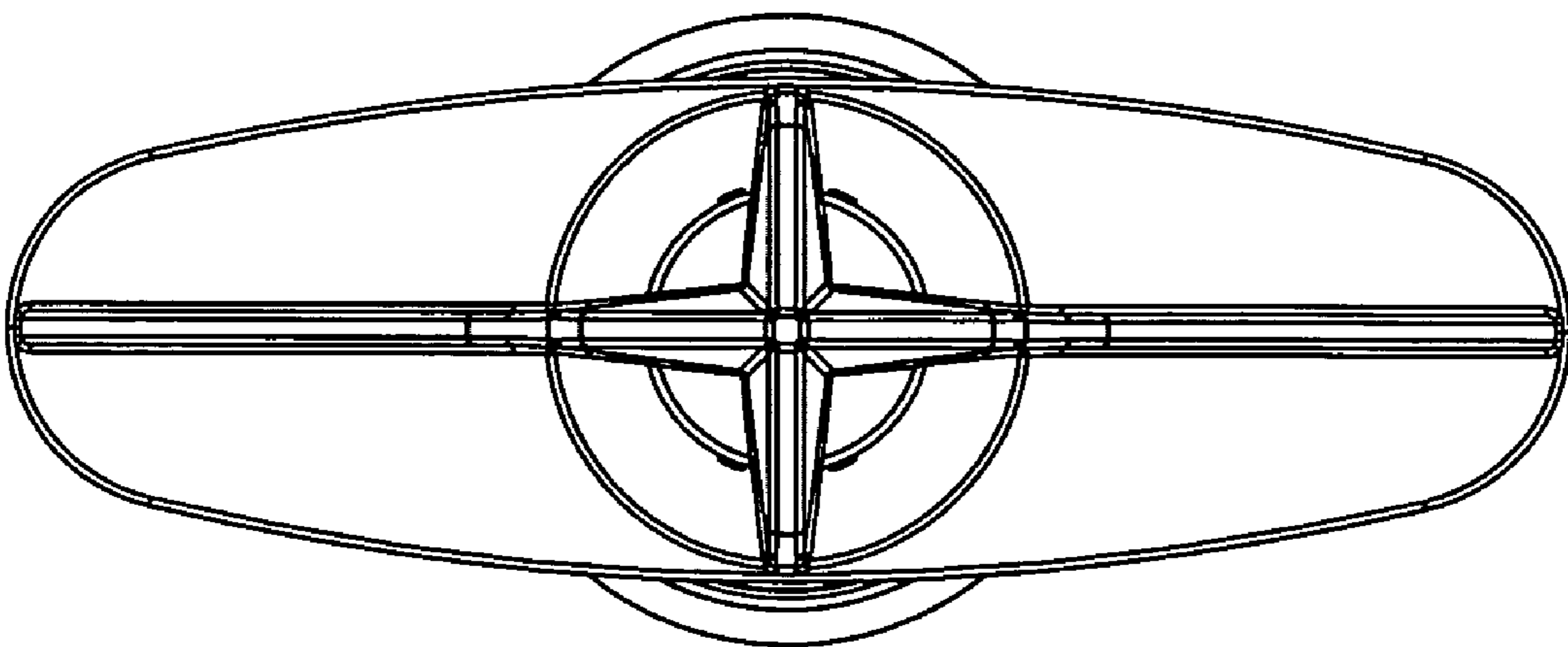


FIG. 3

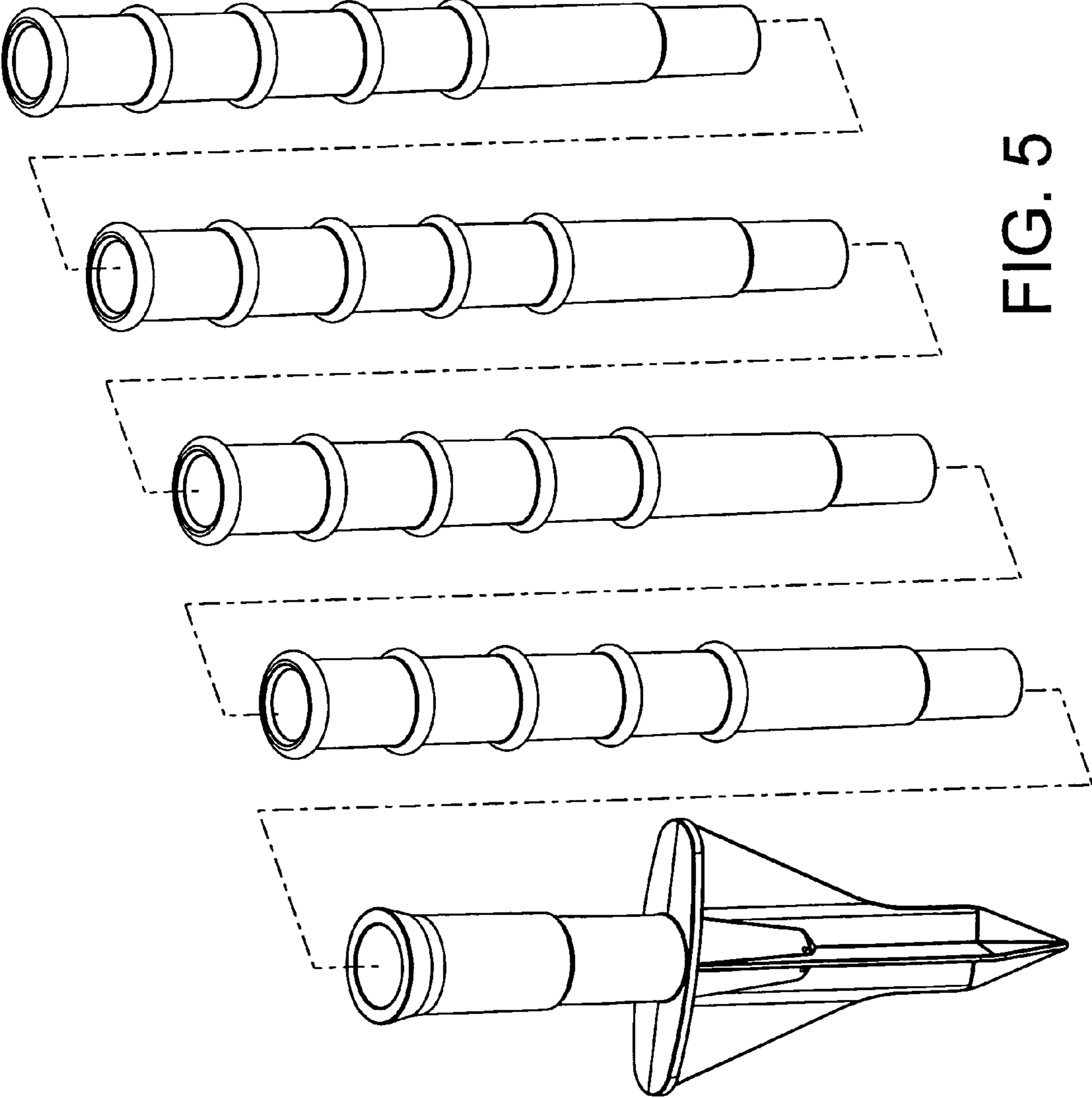


FIG. 5

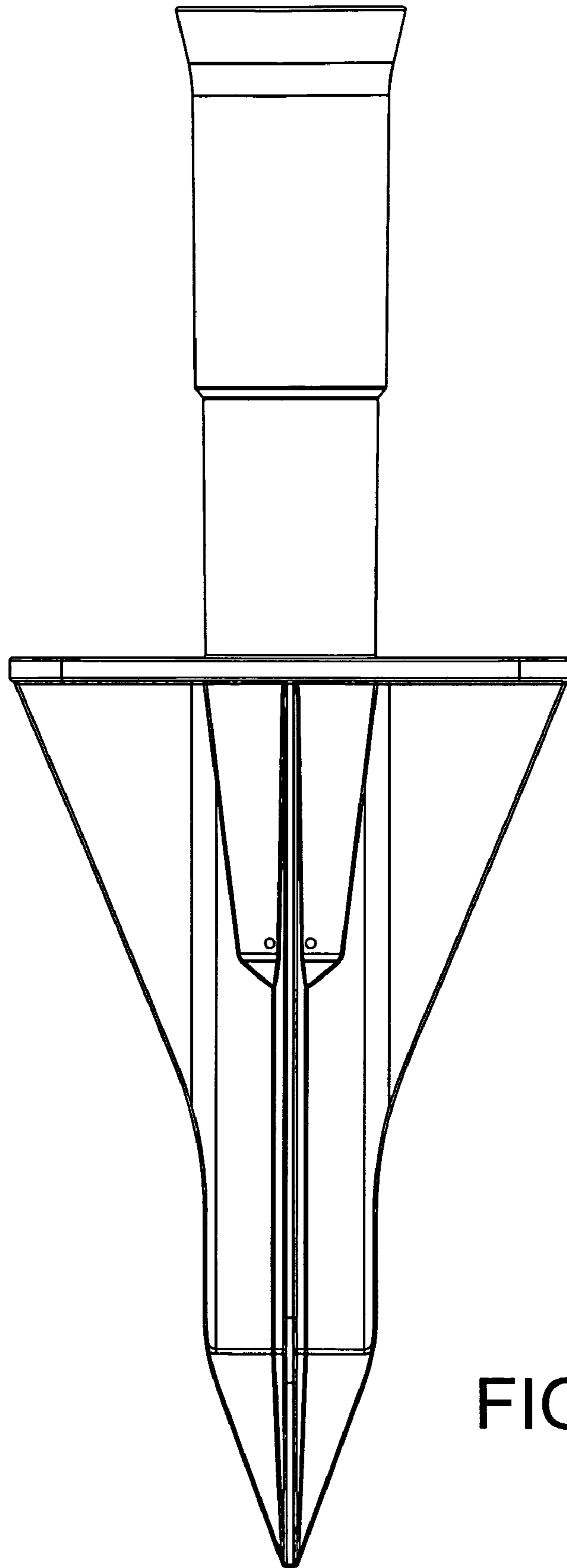


FIG. 6

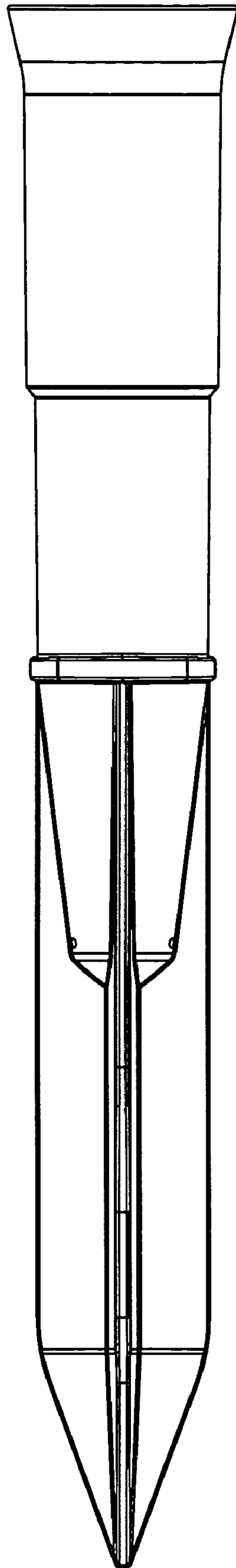


FIG. 7