



US00D622552S

(12) **United States Design Patent**
Payne

(10) **Patent No.:** **US D622,552 S**
(45) **Date of Patent:** **** Aug. 31, 2010**

(54) **SLEEVE WITH A BOW TIE AND SIDE TABS**

(75) Inventor: **Megan Payne**, Saint Louis, MO (US)

(73) Assignee: **Megan K. Payne**, St. Louis, MO (US)

(**) Term: **14 Years**

(21) Appl. No.: **29/316,606**

(22) Filed: **Oct. 14, 2009**

(51) **LOC (9) Cl.** **07-06**

(52) **U.S. Cl.** **D7/624.2; D24/199**

(58) **Field of Classification Search** D7/601-602,
D7/605-608, 619.1, 619.2, 624.1, 624.2;
D3/202; D9/501, 517; D24/199; 215/11.6,
215/386, 392-395; 220/592.16, 592.17,
220/694, 703, 737-739, 903, 915.1, 915.2

See application file for complete search history.

(56) **References Cited**

U.S. PATENT DOCUMENTS

D275,119 S	8/1984	Eicher	
D276,204 S	11/1984	Heweston	
D276,205 S	11/1984	Heweston	
D310,942 S	10/1990	Woodall	
D315,058 S	3/1991	Burke	
D376,956 S *	12/1996	Sharp	D7/607
D403,209 S	12/1998	Zigterman	
D433,880 S *	11/2000	Herrera	D7/625
6,164,487 A *	12/2000	Hicks	220/739
D517,868 S *	3/2006	Hong	D7/604
D589,757 S *	4/2009	Mancha et al.	D7/624.2
D589,758 S *	4/2009	Mancha et al.	D7/624.2

D590,212 S * 4/2009 Mancha et al. D7/624.2

* cited by examiner

Primary Examiner—Ian Simmons
Assistant Examiner—Dana L Sipos

(57) **CLAIM**

The ornamental design for a sleeve with bow tie and side tabs, as shown and described.

DESCRIPTION

FIG. 1 is an elevated perspective view of the sleeve with bow tie and side tabs, showing my design;

FIG. 2 is a front view of the sleeve with bow tie and side tabs;

FIG. 3 is an opposing rear side view of the sleeve with bow tie and side tabs;

FIG. 4 is a left side view of the sleeve with bow tie and side tabs;

FIG. 5 is an opposing right side view of the sleeve with bow tie and side tabs;

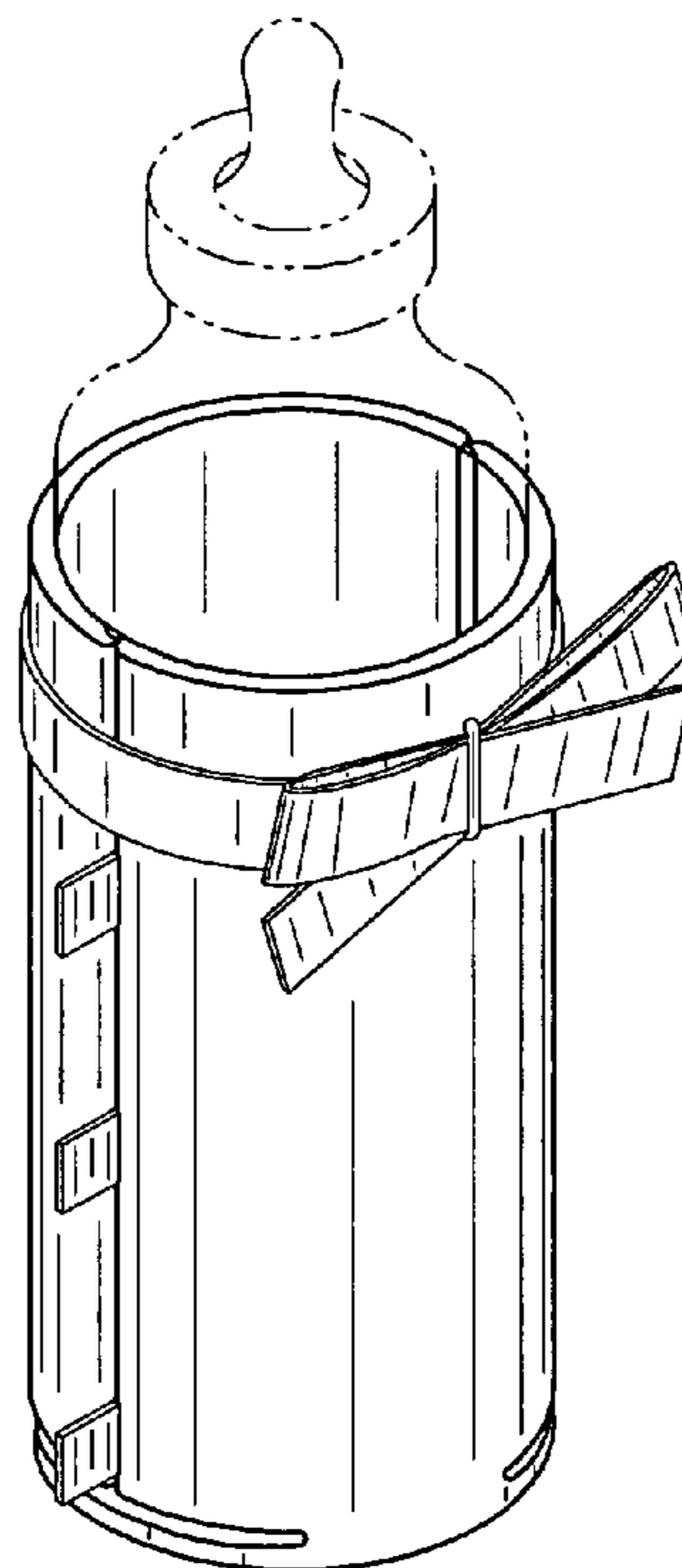
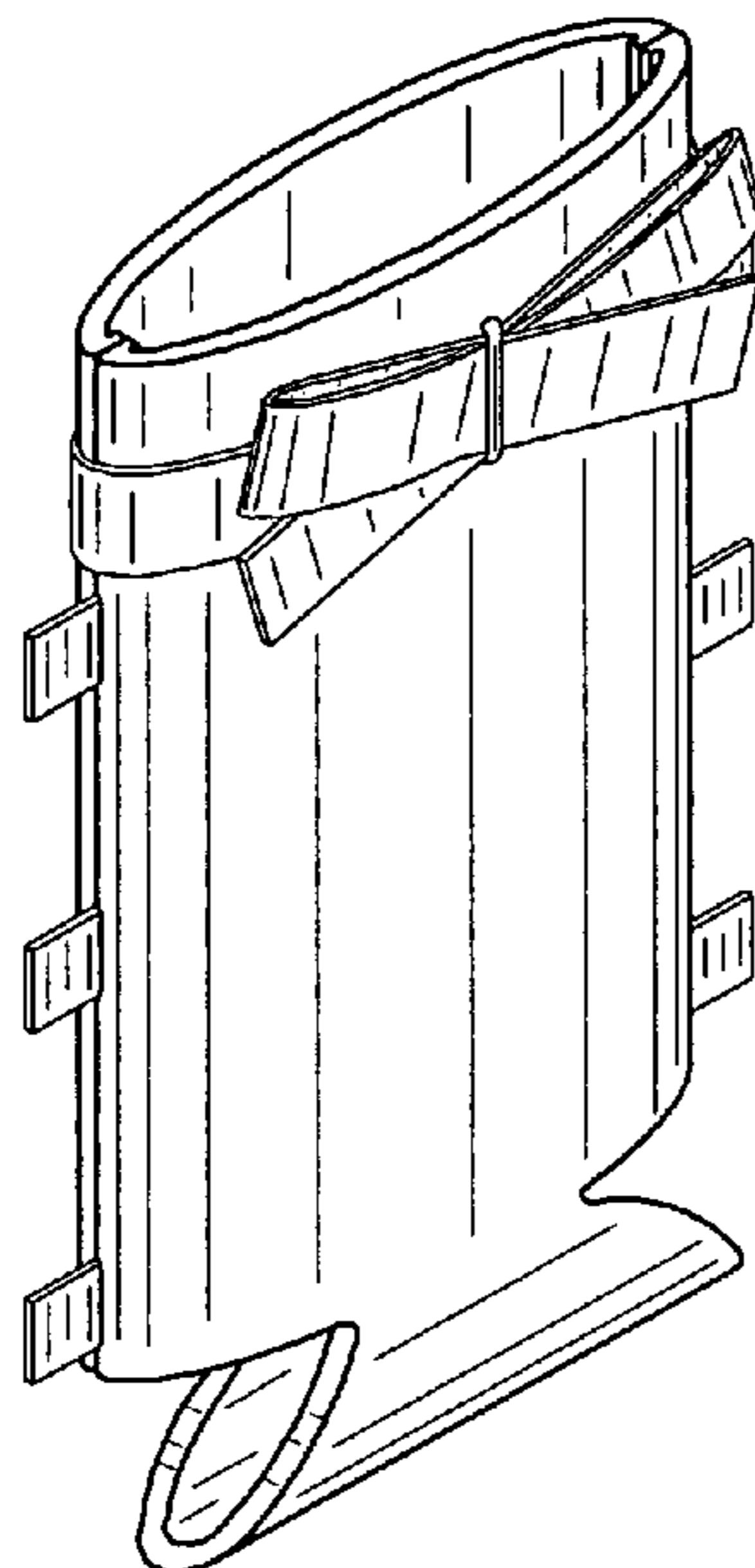
FIG. 6 is a top view of the sleeve with bow tie and side tabs;

FIG. 7 is an opposing bottom view of the sleeve with bow tie and side tabs; and,

FIG. 8 is another elevated perspective view of the sleeve with bow tie and side tabs.

In FIG. 8, the features of the bottle shown in phantom lines are for illustrative purposes only and do not constitute a part of the claimed design.

1 Claim, 2 Drawing Sheets



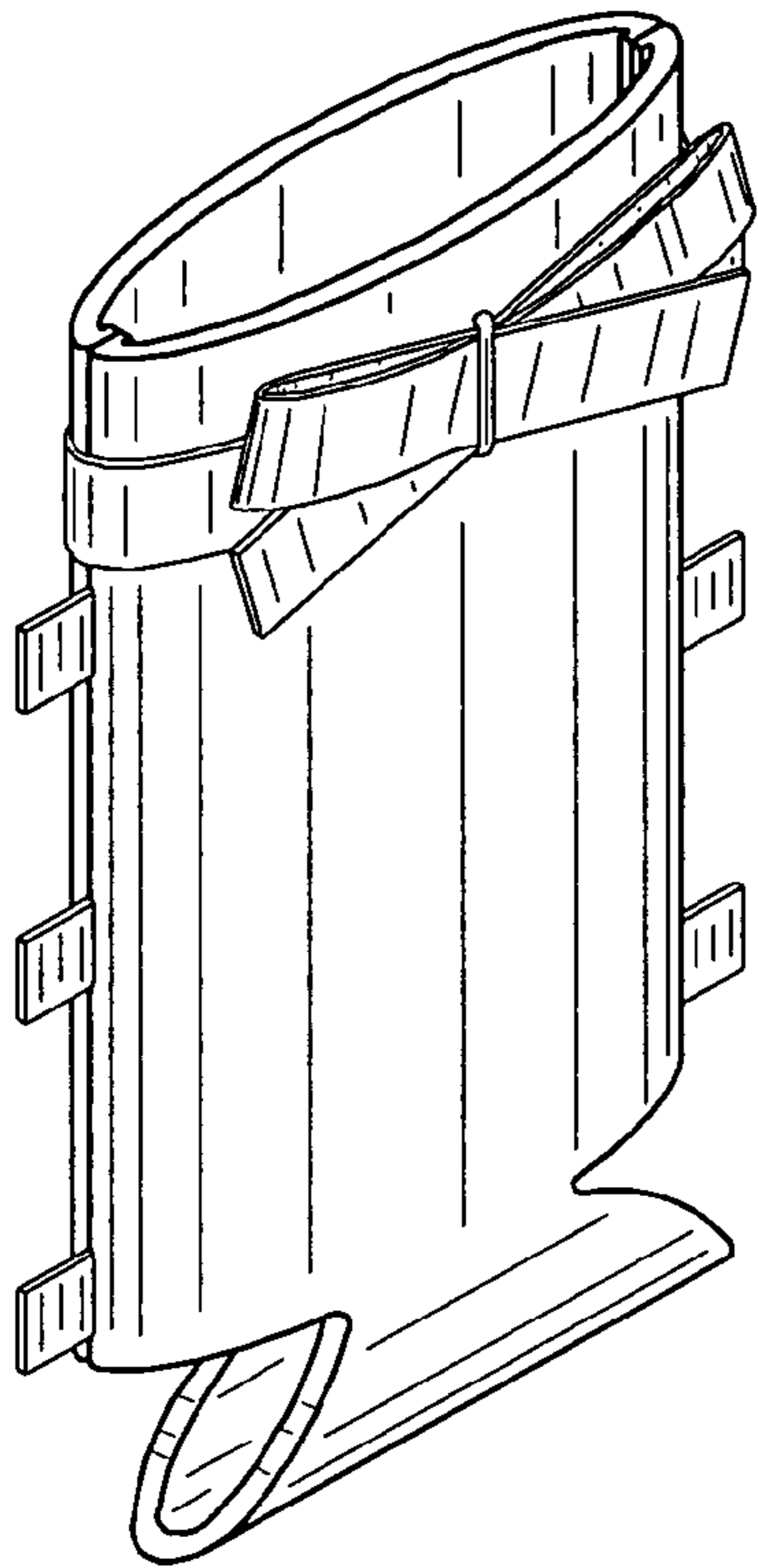


FIG. 1

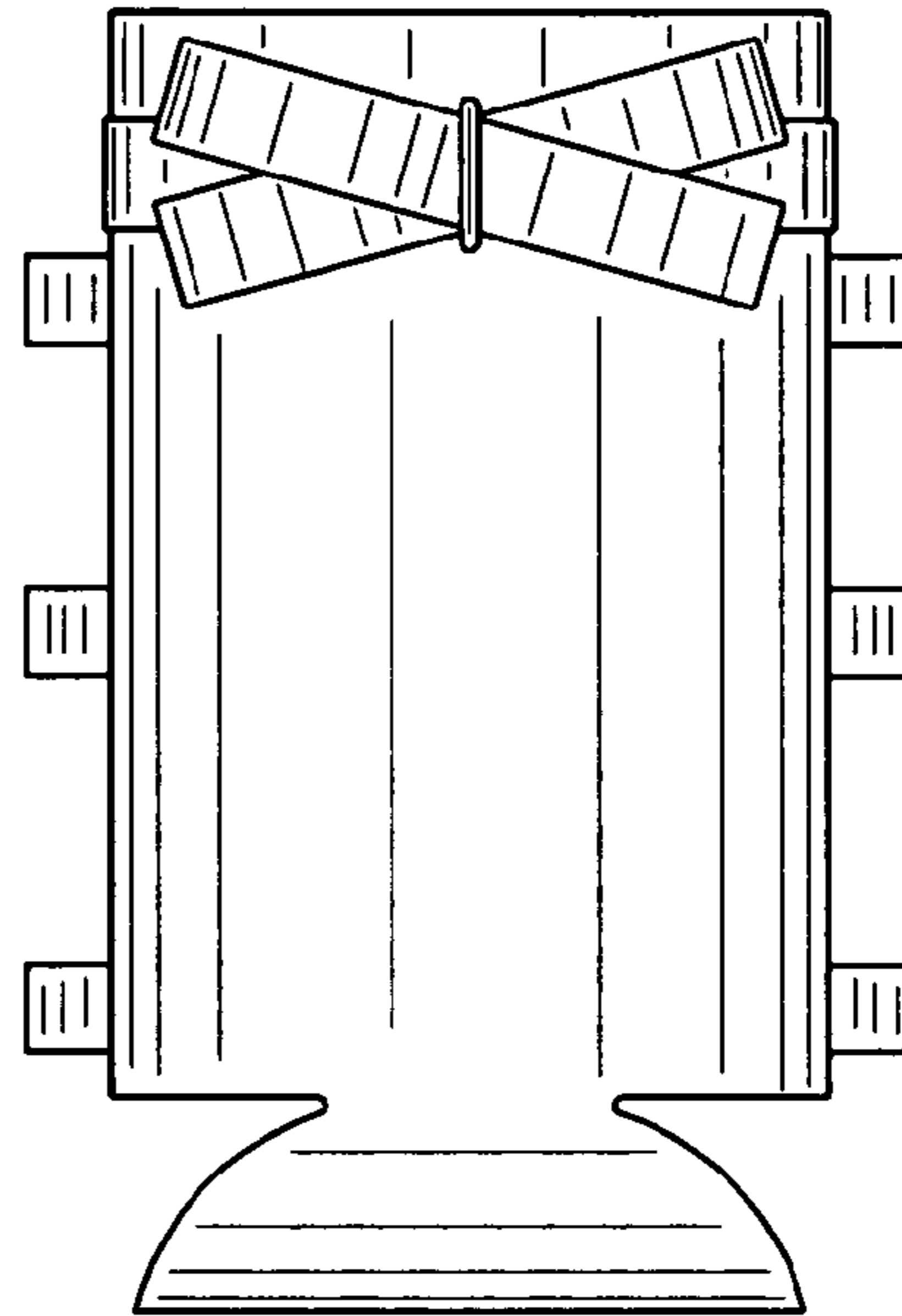


FIG. 2

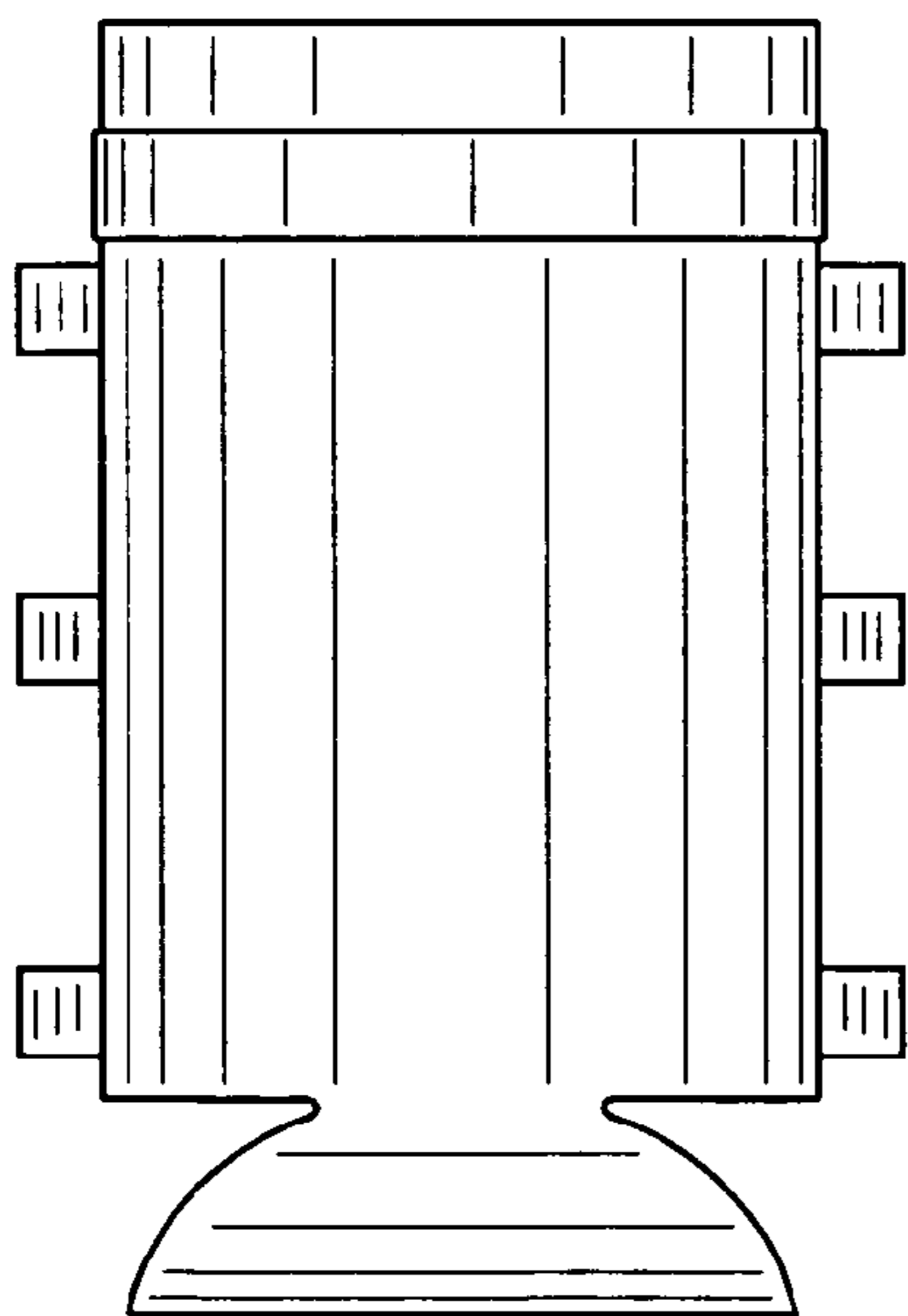


FIG. 3

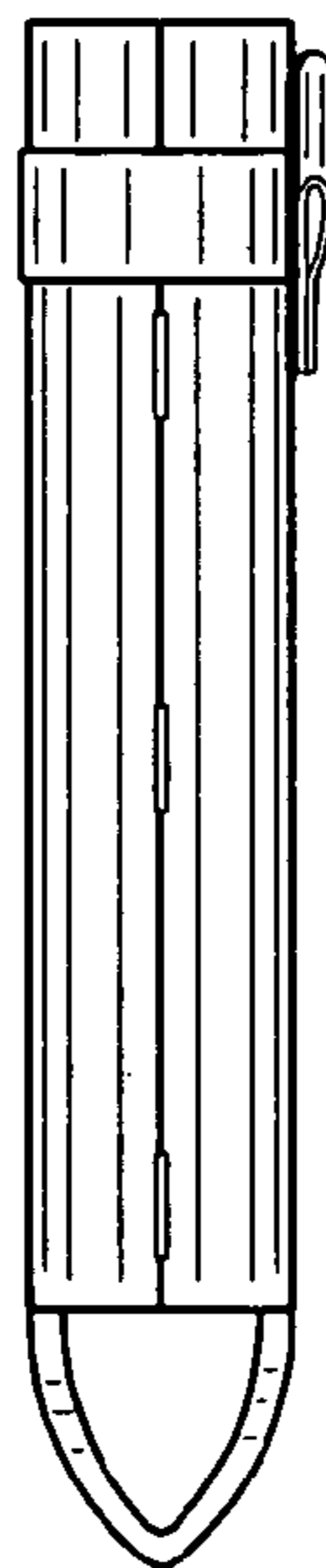


FIG. 4

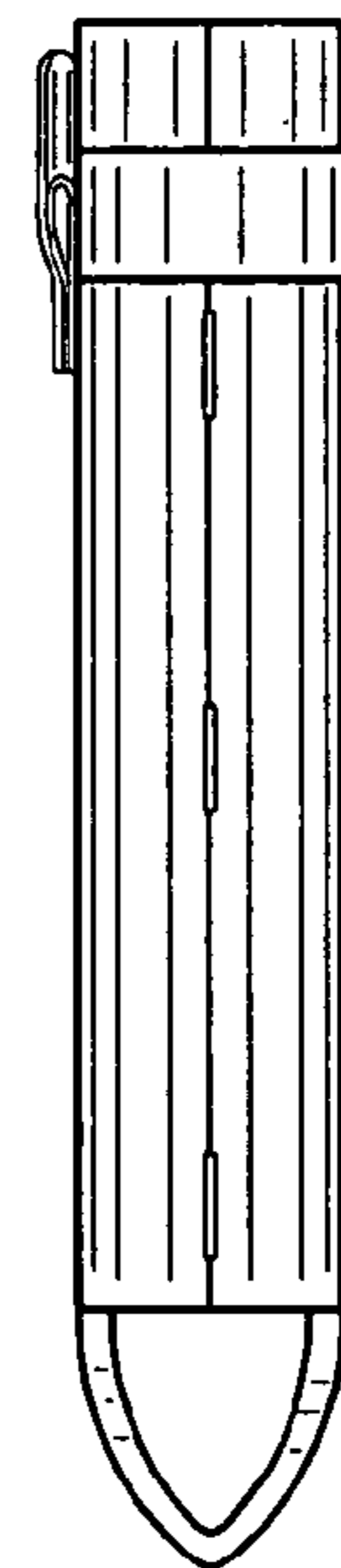


FIG. 5

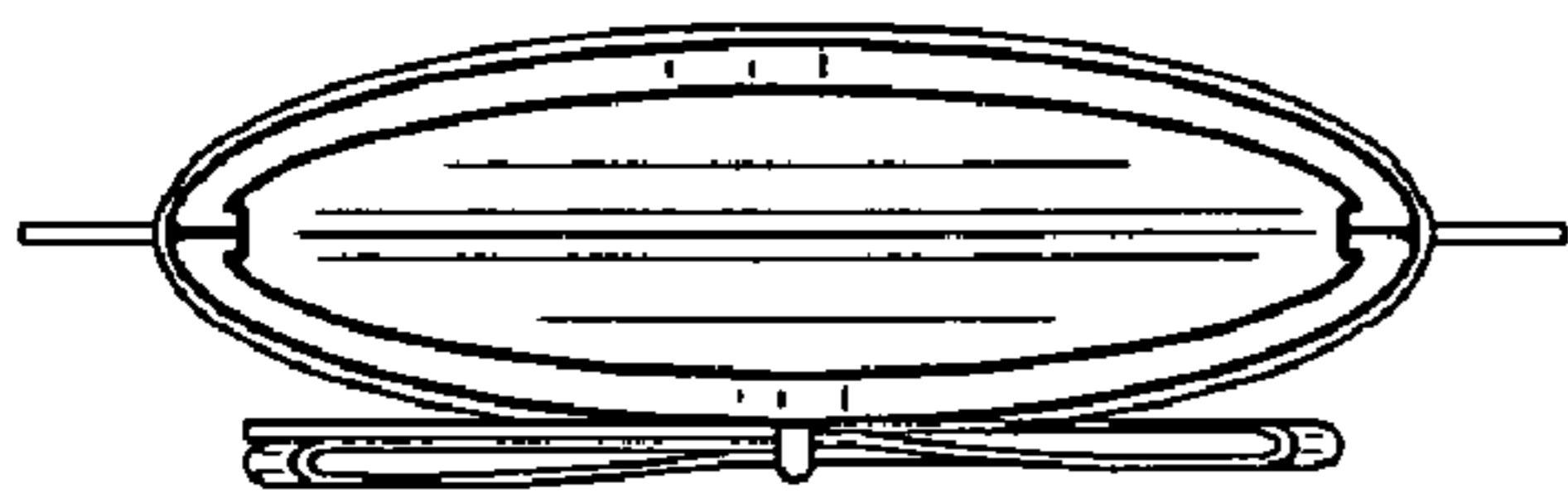


FIG. 6

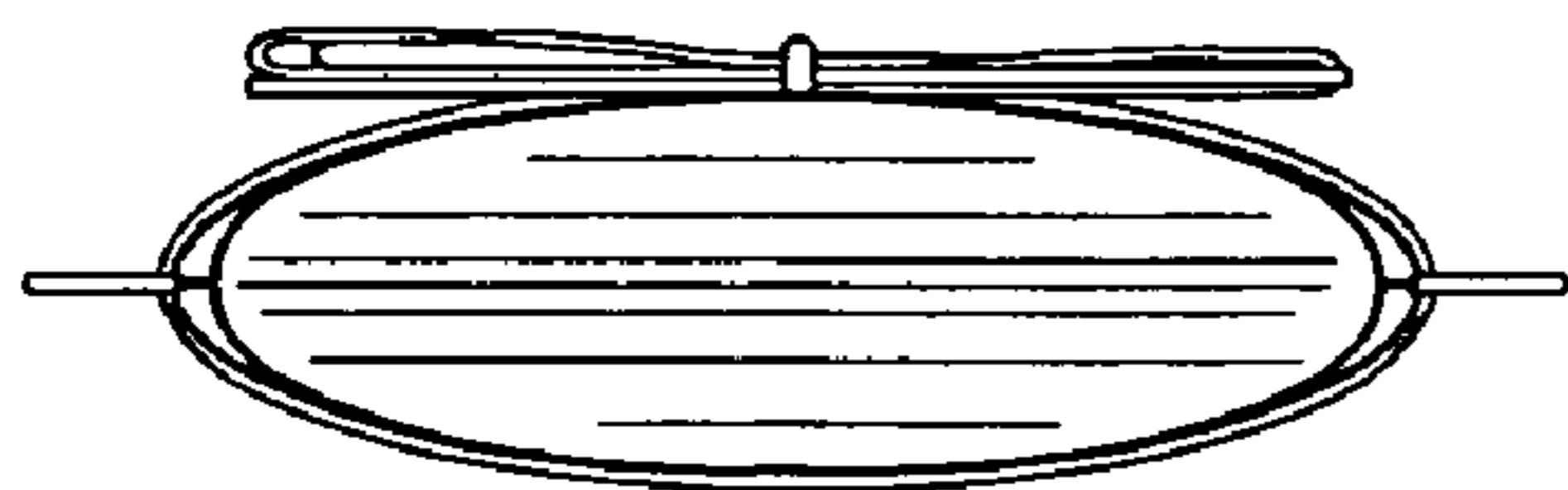


FIG. 7

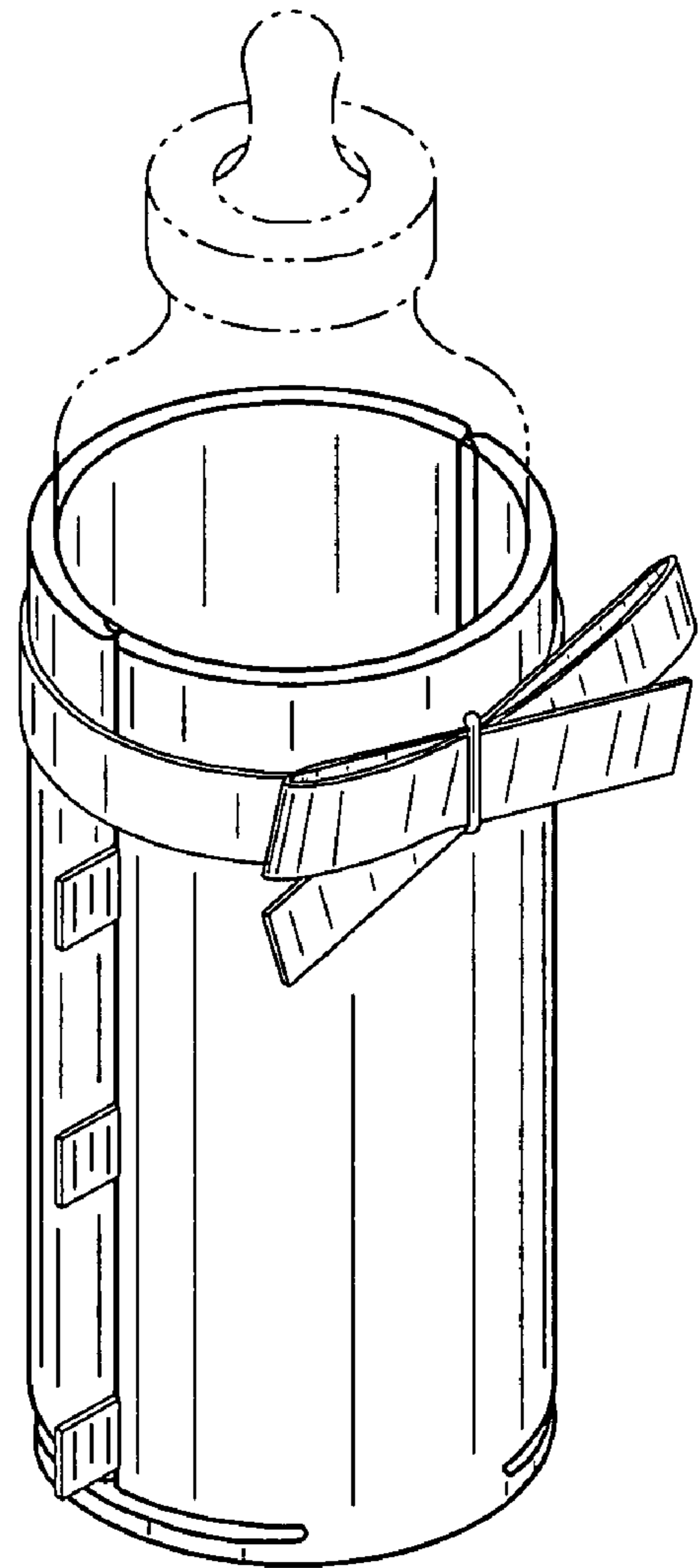


FIG. 8