



(12) **United States Design Patent**
Meigs et al.

(10) **Patent No.:** **US D622,550 S**
(45) **Date of Patent:** **** Aug. 31, 2010**

(54) **BEVERAGE HOLDER WITH A FLEXIBLE
ARM SUPPORT AND ATTACHMENT MEANS**

(76) Inventors: **William Meigs**, 14 Jasmine La.,
Glastonbury, CT (US) 06033; **Tony
Miccile**, 34 Lawrence St., Framingham,
MA (US) 01702

(**) Term: **14 Years**

(21) Appl. No.: **29/348,452**

(22) Filed: **Jan. 8, 2010**

(51) **LOC (9) Cl.** **07-06**

(52) **U.S. Cl.** **D7/620**

(58) **Field of Classification Search** D7/619.1-625,
D7/605, 607; 248/102, 103, 104, 311.2,
248/309.1; 224/448, 545, 547, 548, 549,
224/558, 926, 270, 441

See application file for complete search history.

(56) **References Cited**

U.S. PATENT DOCUMENTS

D404,975 S * 2/1999 Fegan D7/620
D454,283 S * 3/2002 Kilgore D7/619.1

D543,790 S * 6/2007 Szymanski D7/607
2002/0179794 A1 * 12/2002 Yang 248/311.2

* cited by examiner

Primary Examiner—Terry A Wallace
(74) *Attorney, Agent, or Firm*—Lambert & Associates; Adam
J. Bruno; Gary E. Lambert

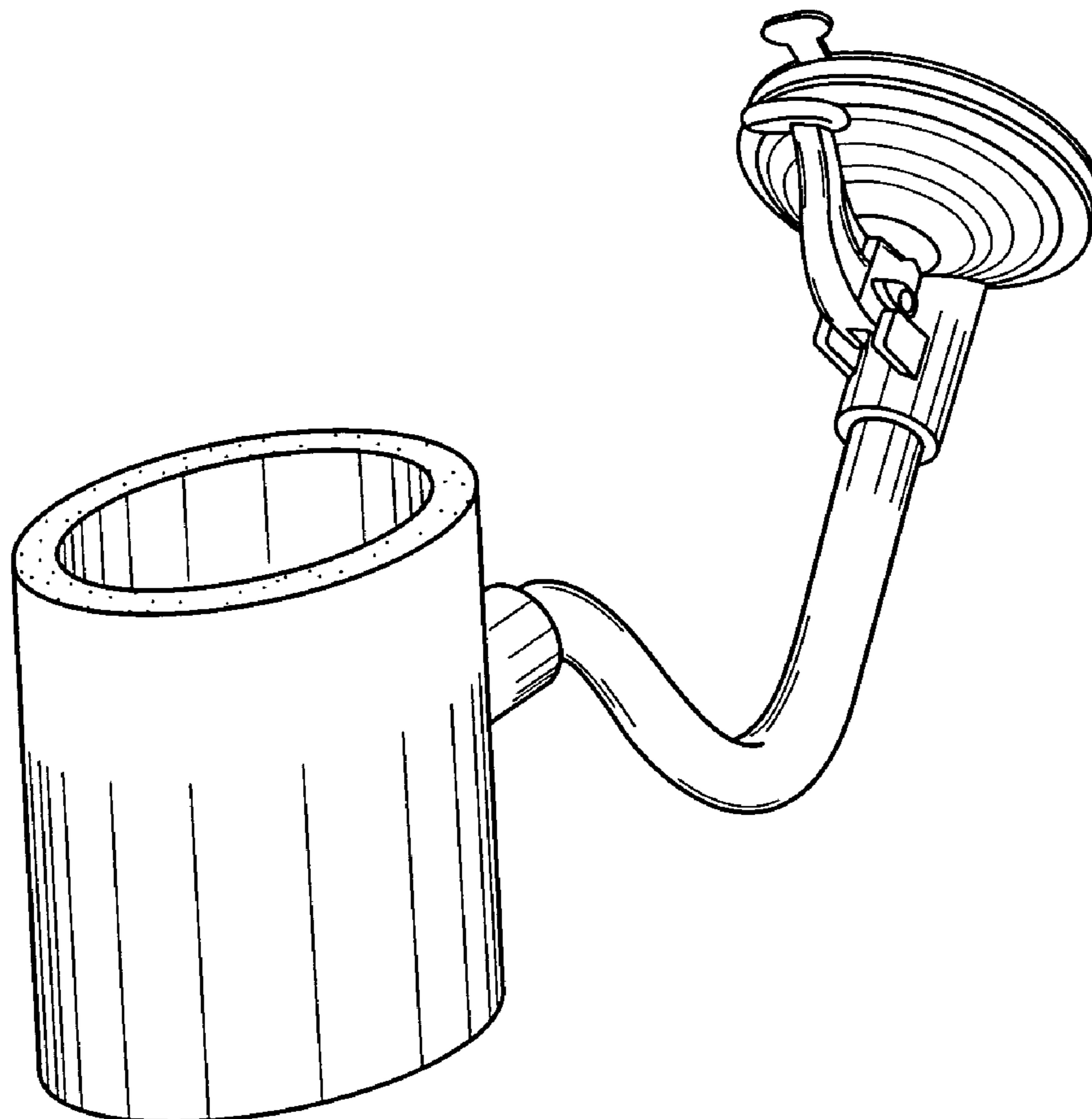
(57) **CLAIM**

I claim the ornamental design for the beverage holder with a
flexible arm support and attachment means, as shown and
described.

DESCRIPTION

FIG. 1 is a isometric side perspective showing my new design;
FIG. 2 is a side view thereof;
FIG. 3 is a side view thereof;
FIG. 4 is a top view thereof;
FIG. 5 is bottom view thereof;
FIG. 6 is a back view thereof; and,
FIG. 7 is a front view thereof.

1 Claim, 4 Drawing Sheets



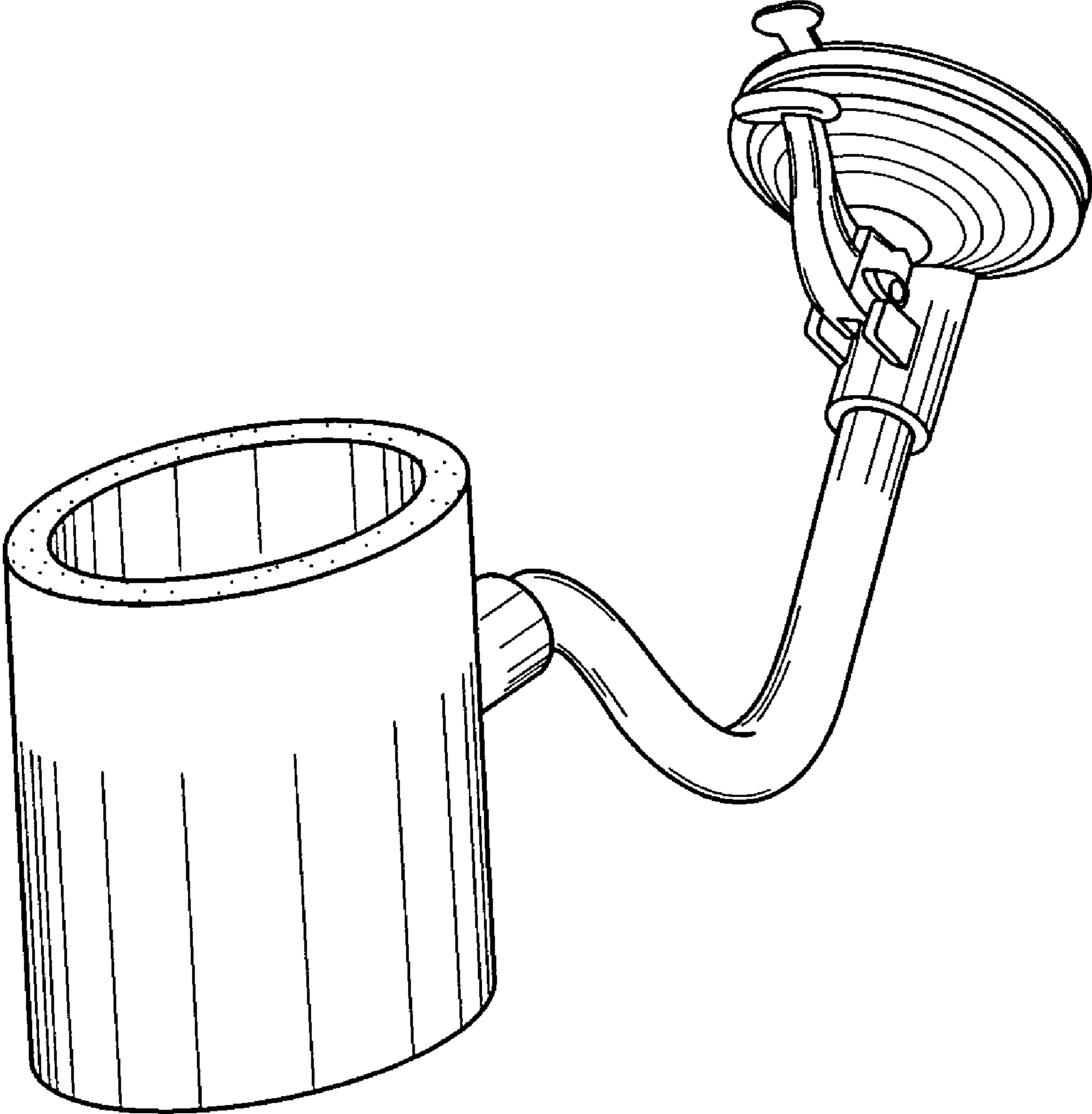


FIG. 1

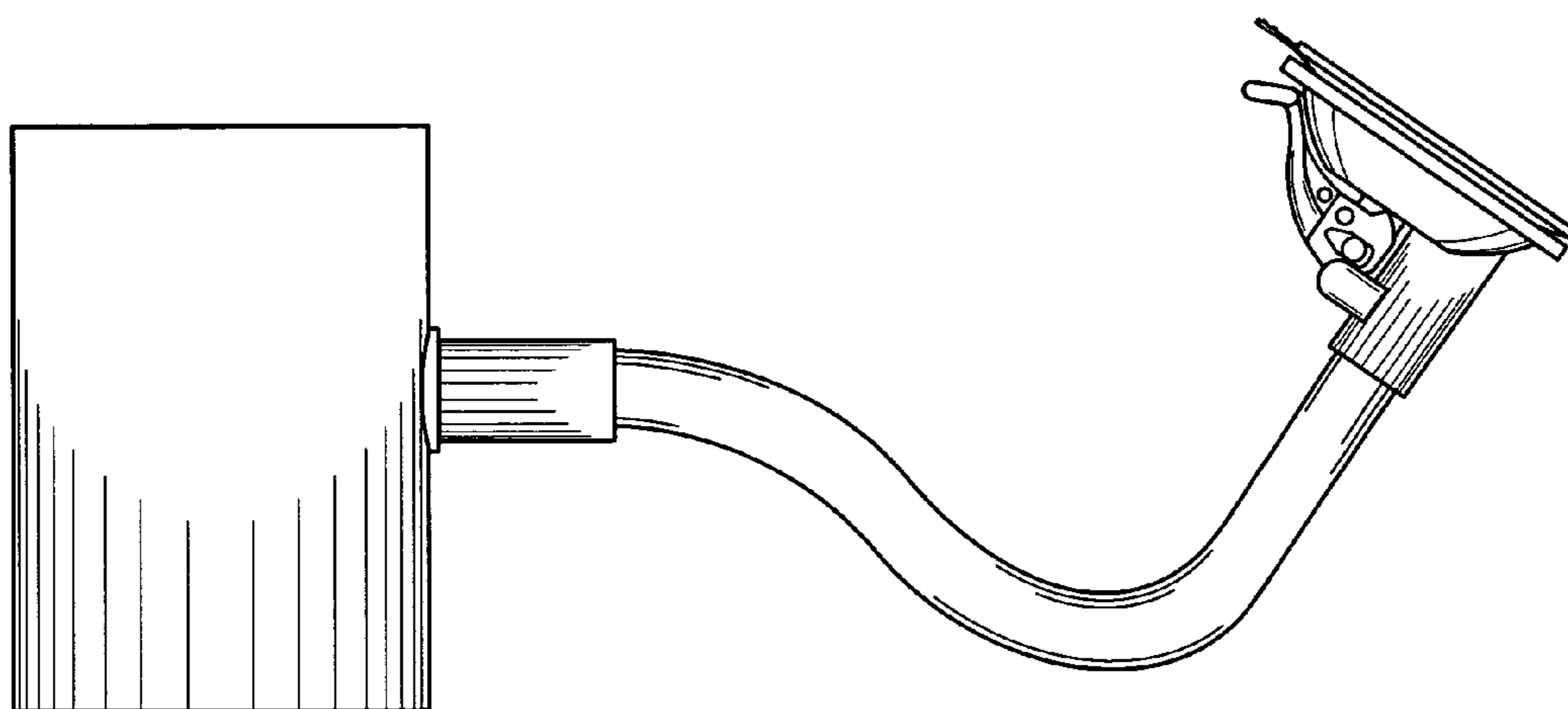


FIG. 2

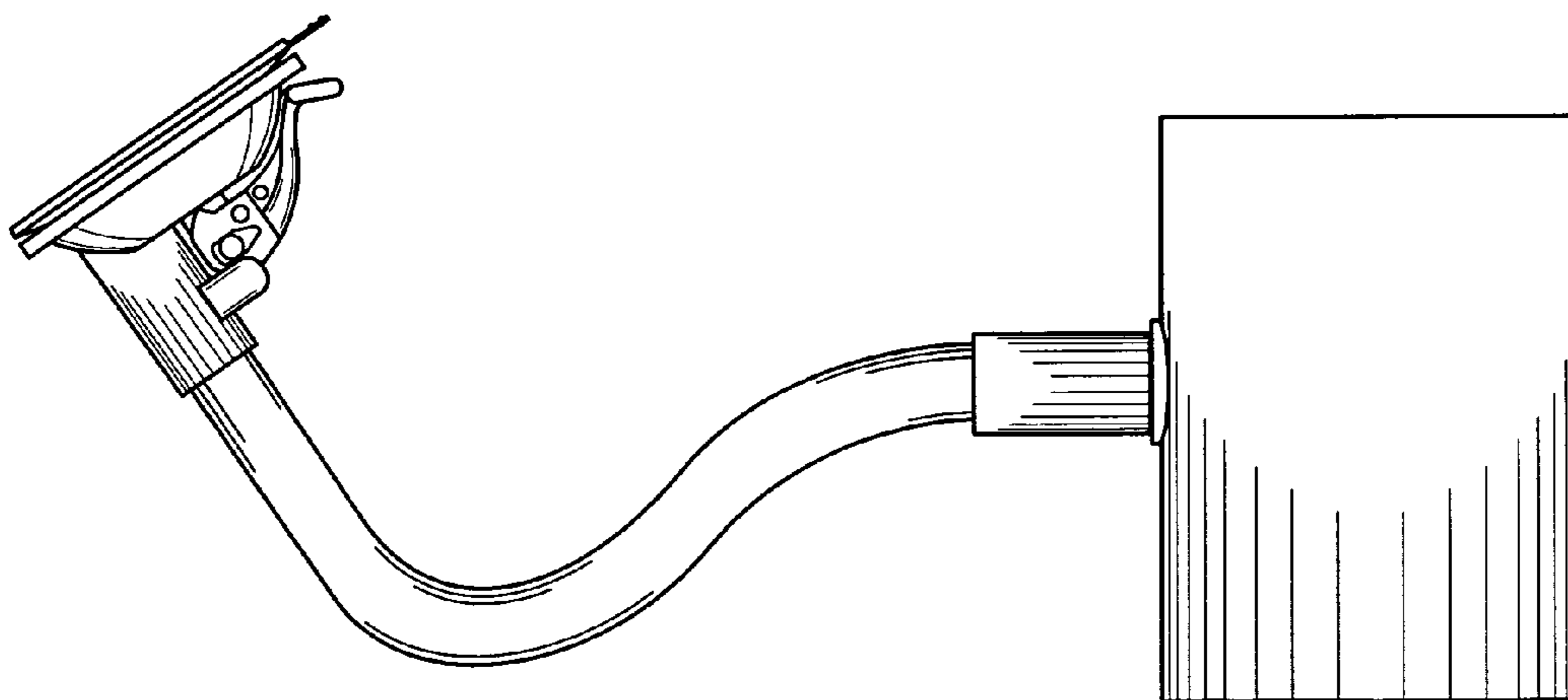


FIG. 3

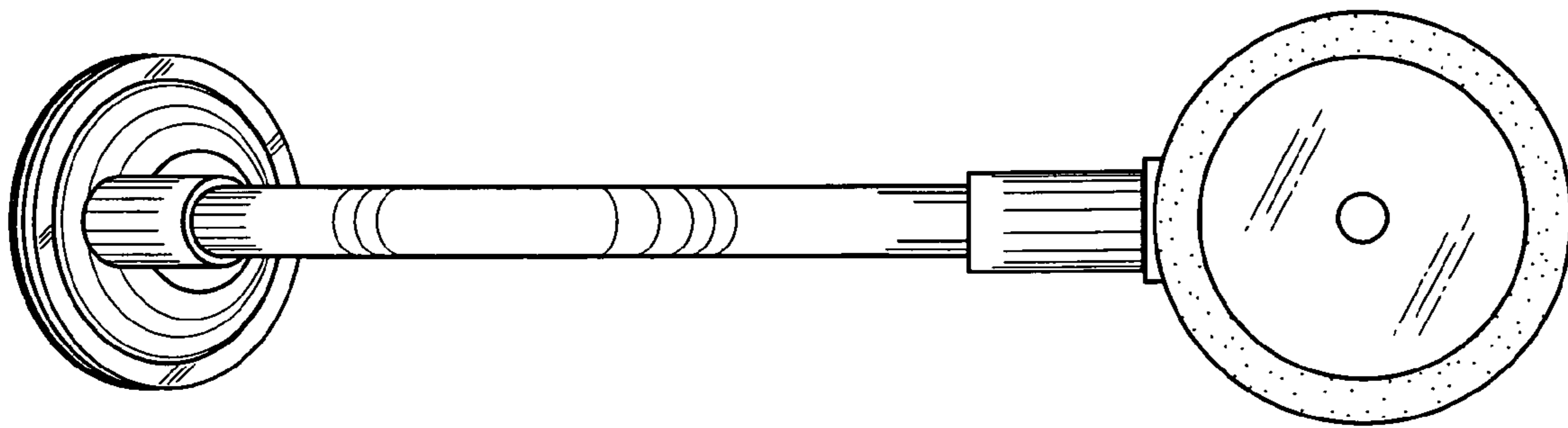


FIG. 4

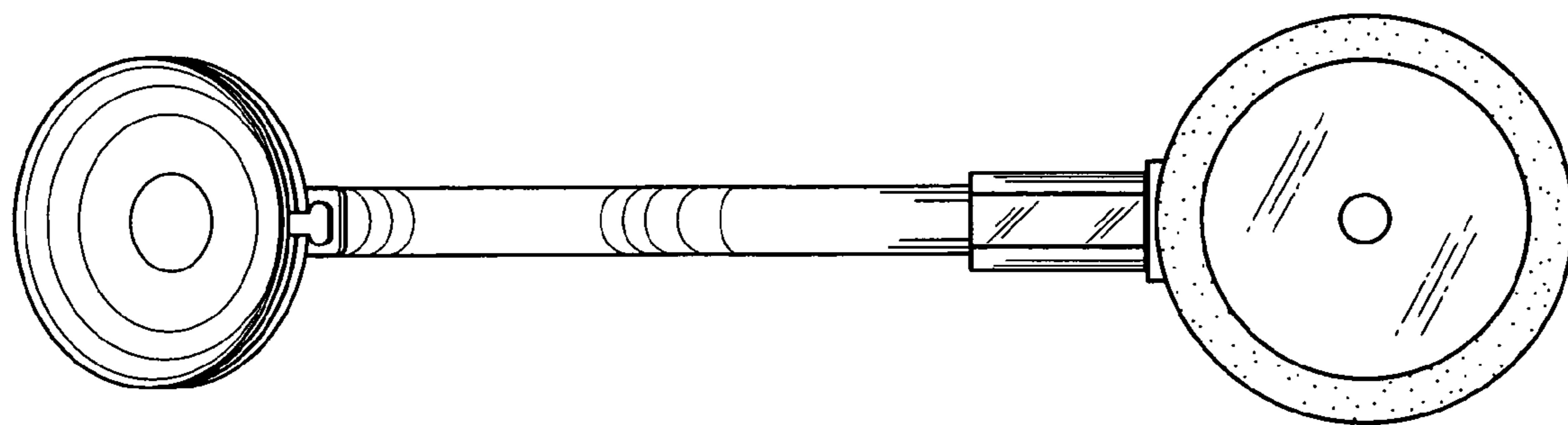


FIG. 5

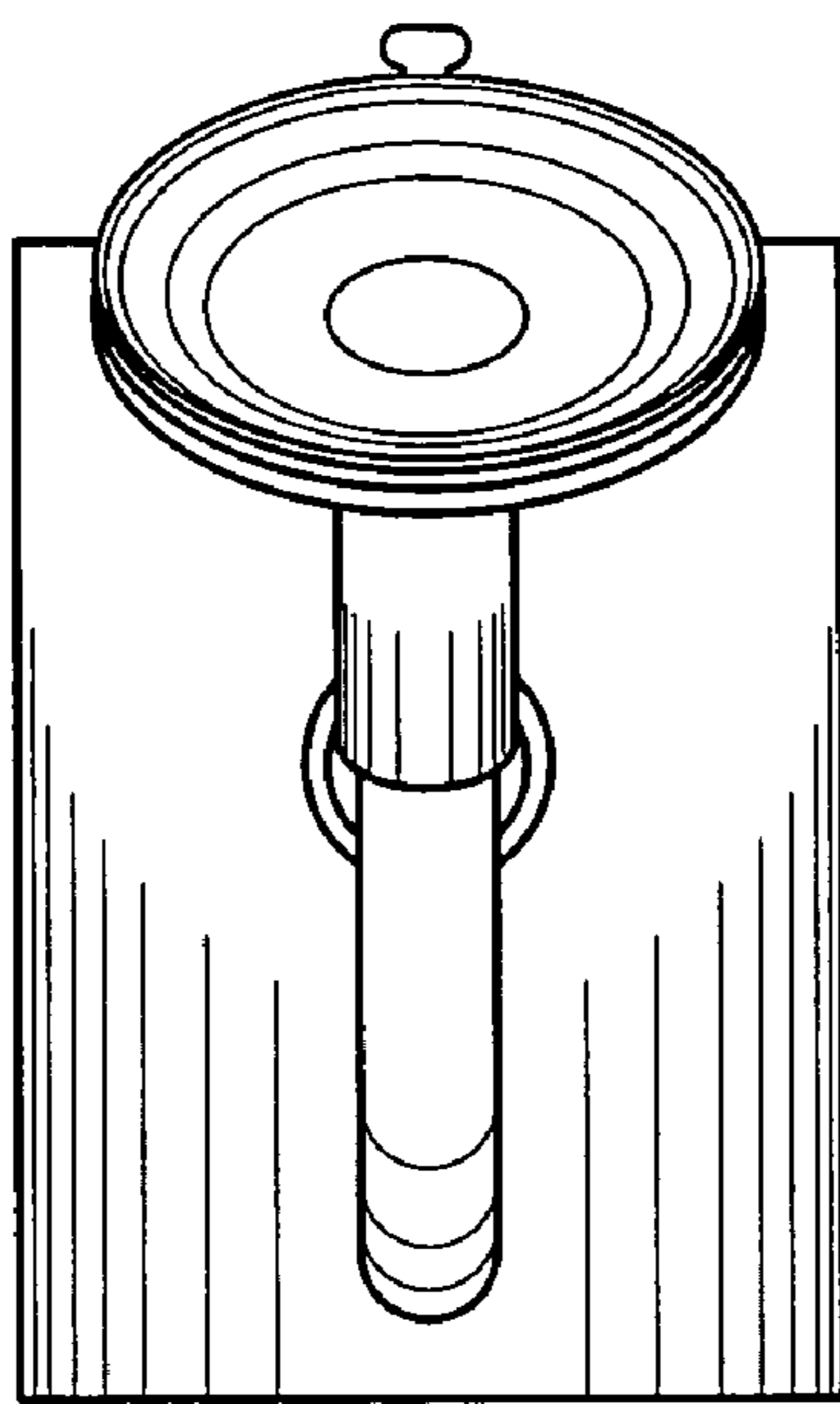


FIG. 6

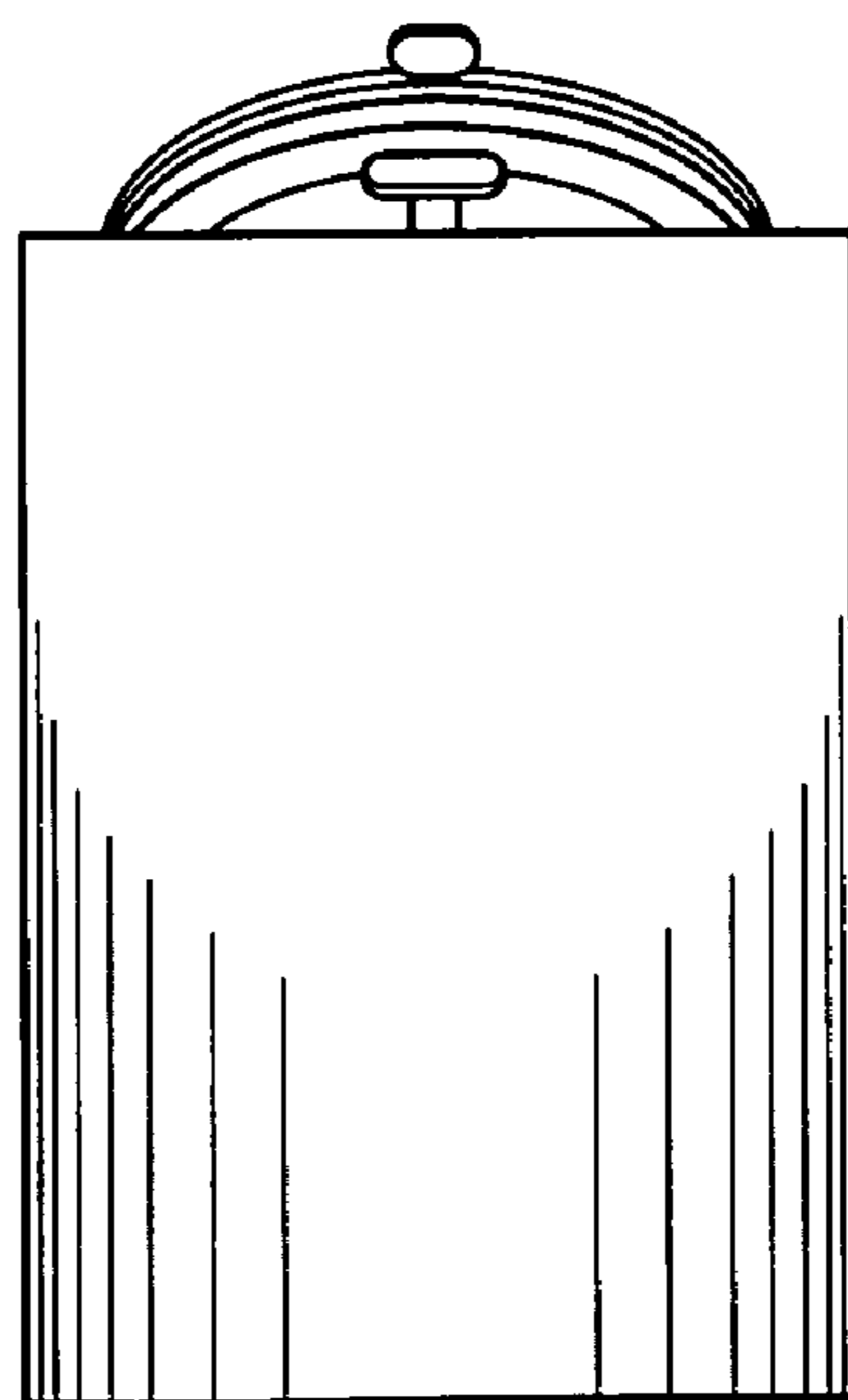


FIG. 7