



US00D622541S

(12) **United States Design Patent**
Josancy

(10) **Patent No.:** **US D622,541 S**

(45) **Date of Patent:** **** Aug. 31, 2010**

(54) **SIDE HANDLE FOR COOKING UTENSIL**

(75) Inventor: **Luc Josancy**, Lyons (FR)

(73) Assignee: **Tefal**, Rumilly (FR)

(**) Term: **14 Years**

(21) Appl. No.: **29/330,500**

(22) Filed: **Jan. 8, 2009**

(30) **Foreign Application Priority Data**

Jul. 8, 2008 (FR) 08 3069

(51) **LOC (9) Cl.** **07-02**

(52) **U.S. Cl.** **D7/394**

(58) **Field of Classification Search** D7/354-361,
D7/391, 393, 394, 395, 536; D8/107, 307,
D8/300, 316, 317, 320; 220/212.5, 573.1-573.5,
220/752, 753, 755, 756, 759, 771, 912; 16/110.1,
16/402, 410, 412, 414, 417, 433, 441-443;
D3/318; D4/129; D9/434, 531; D32/34
See application file for complete search history.

(56) **References Cited**

U.S. PATENT DOCUMENTS

3,661,296 A * 5/1972 Hamer 220/753
D232,372 S * 8/1974 Grant D21/771
D252,657 S * 8/1979 Young D8/316
D269,253 S * 6/1983 Gagnon D9/434
D277,257 S * 1/1985 Cesaroni D7/394
D277,620 S * 2/1985 Parrochia D8/316
D344,431 S * 2/1994 Welch D7/394
D391,444 S * 3/1998 Munari D7/394

D416,172 S * 11/1999 Cheng D7/394
D429,110 S * 8/2000 Cheng D7/393
D439,104 S * 3/2001 Thakur D7/360
D486,647 S * 2/2004 Nordstrom et al. D3/318
D496,555 S * 9/2004 Rommelfanger et al. D7/360
D498,639 S * 11/2004 Brasset D7/360
D510,231 S * 10/2005 Coudurier D7/393
D514,917 S * 2/2006 Coudurier D8/107
D528,856 S * 9/2006 Pascal D7/394
D532,250 S * 11/2006 Roussard D7/358
D568,677 S * 5/2008 Stattmann D7/360
D568,678 S * 5/2008 Stattmann D7/360

* cited by examiner

Primary Examiner—Cynthia M Chin

(74) *Attorney, Agent, or Firm*—Young & Thompson

(57) **CLAIM**

The ornamental design for a side handle for cooking utensil, as shown and described.

DESCRIPTION

FIG. 1 is a top, front and side perspective view of a side handle for cooking utensil, showing my new design;

FIG. 2 is a front elevational view thereof;

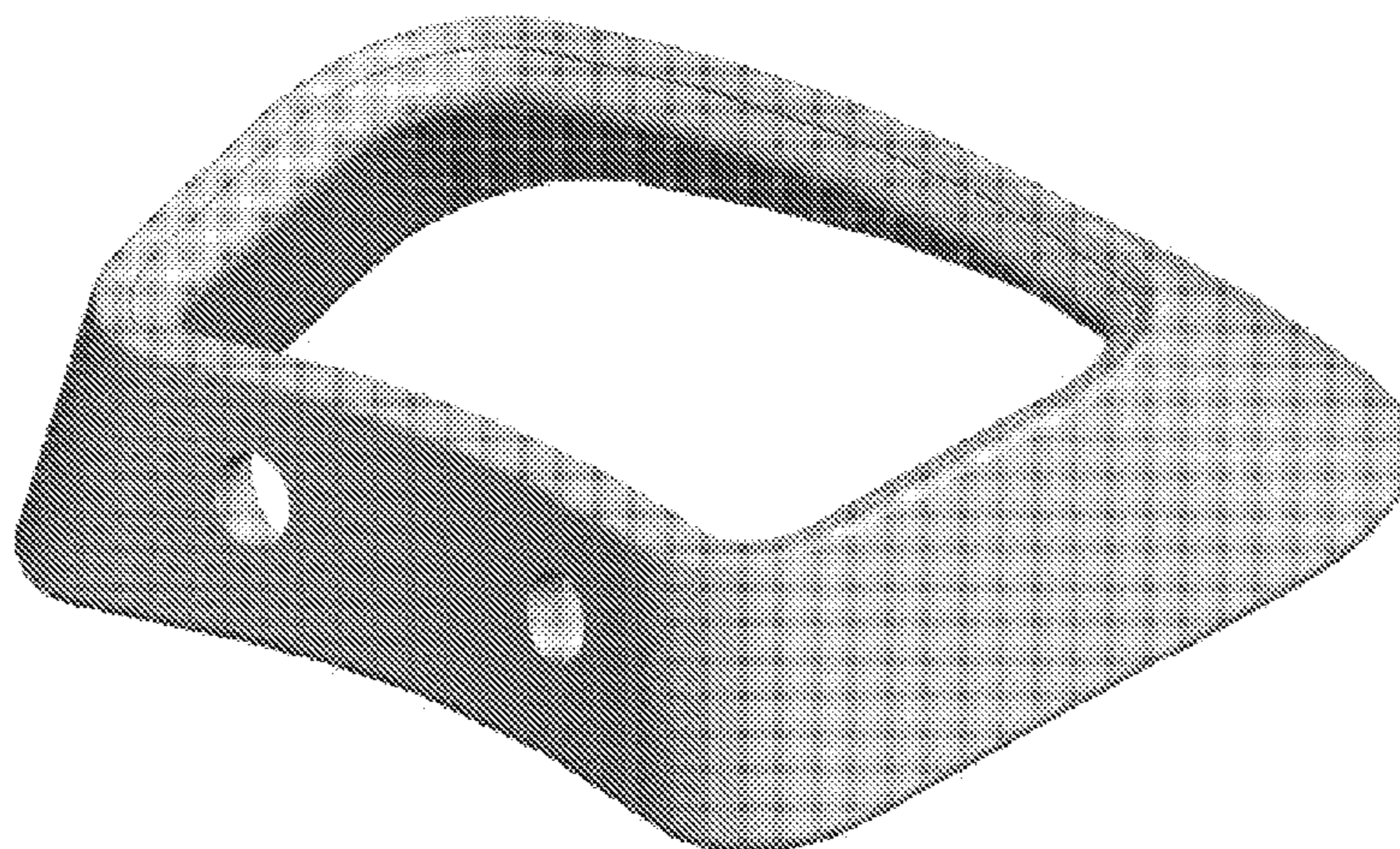
FIG. 3 is a side elevational view from the left of FIG. 2, a side elevational view from the right of FIG. 2 being the mirror image thereof;

FIG. 4 is a top plan view thereof;

FIG. 5 is a bottom plan view thereof; and,

FIG. 6 is a rear elevational view thereof.

1 Claim, 6 Drawing Sheets



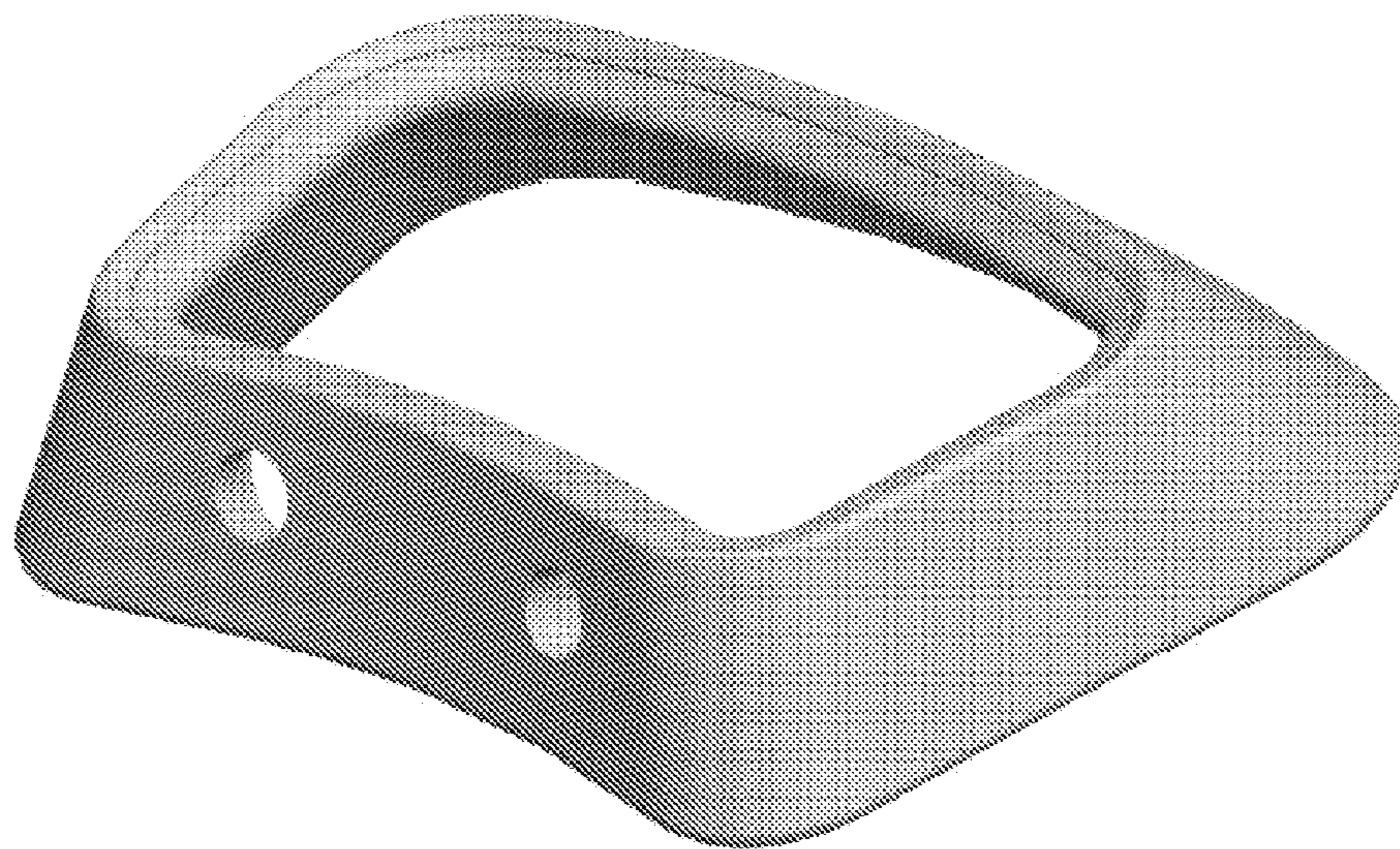


Fig. 1

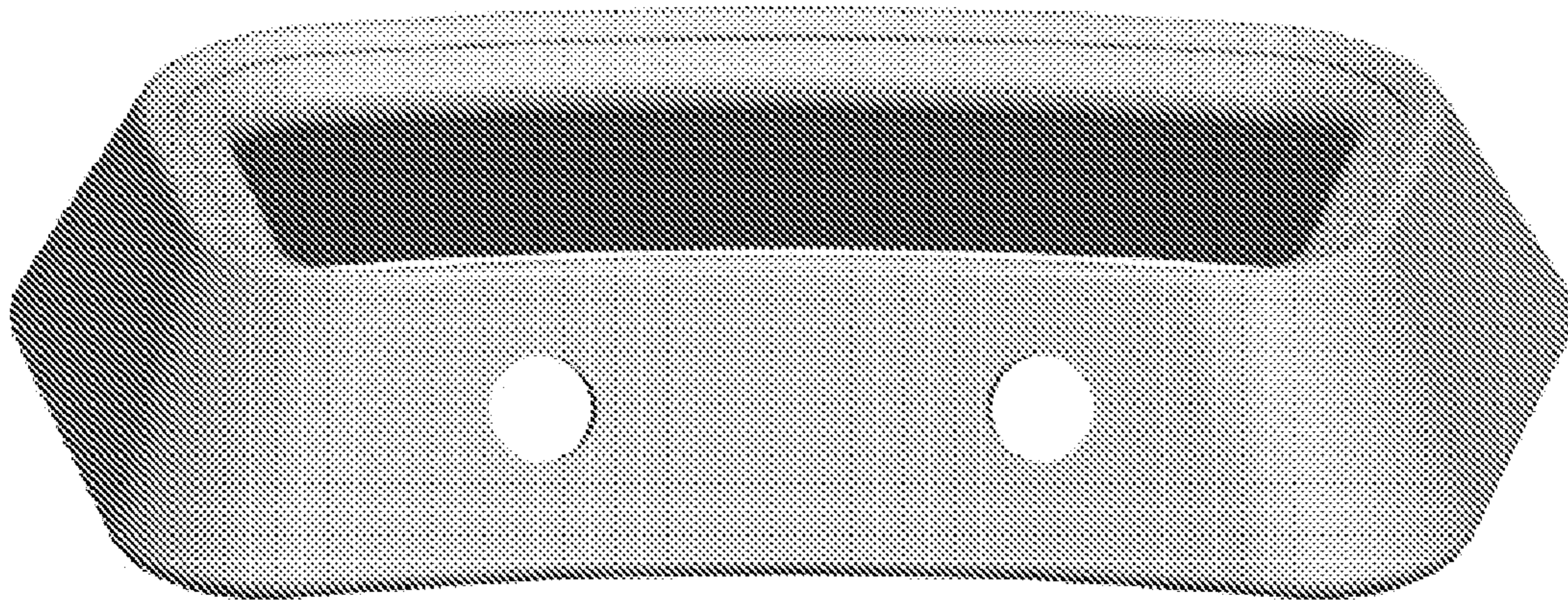


Fig. 2

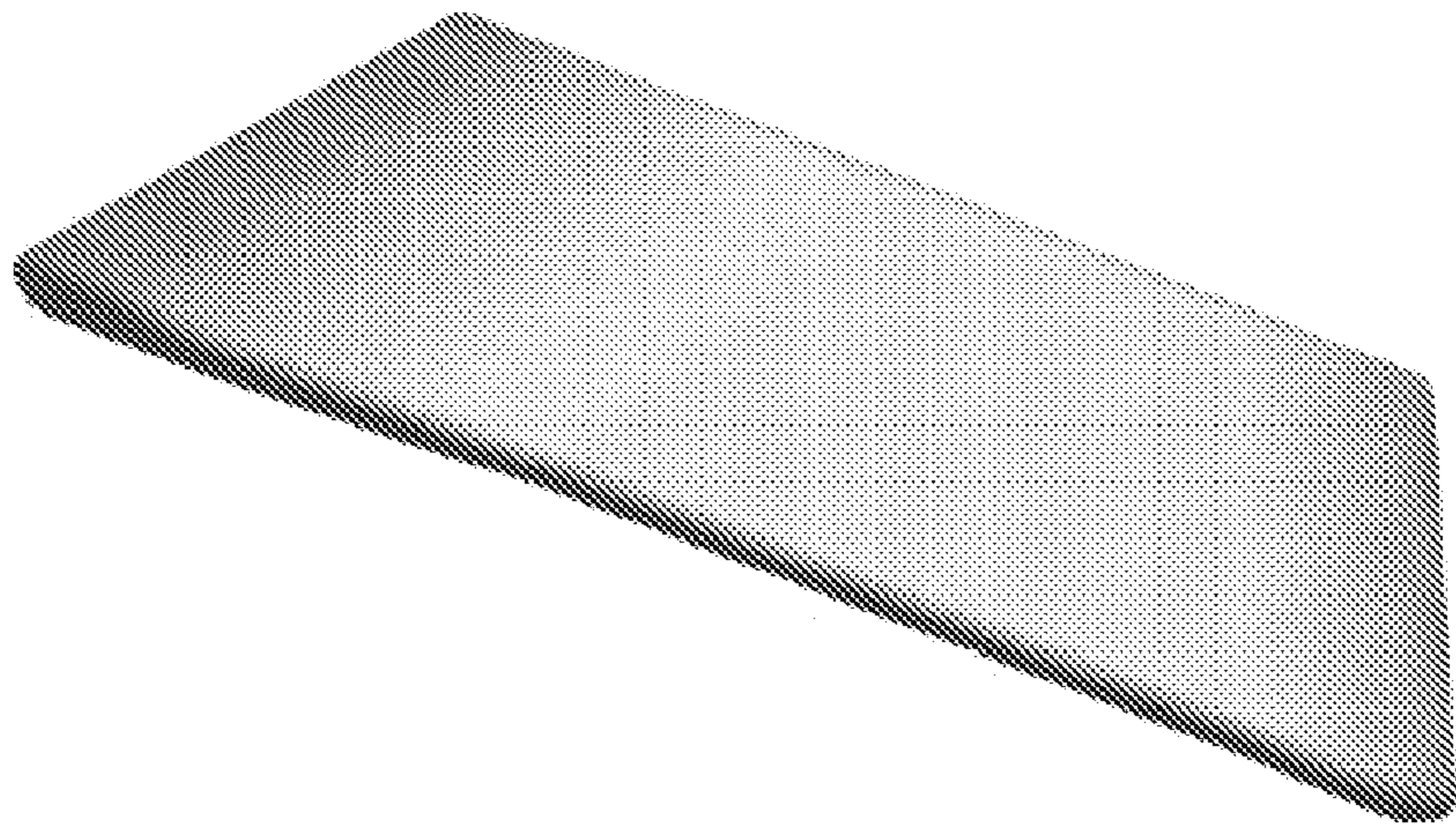


Fig. 3

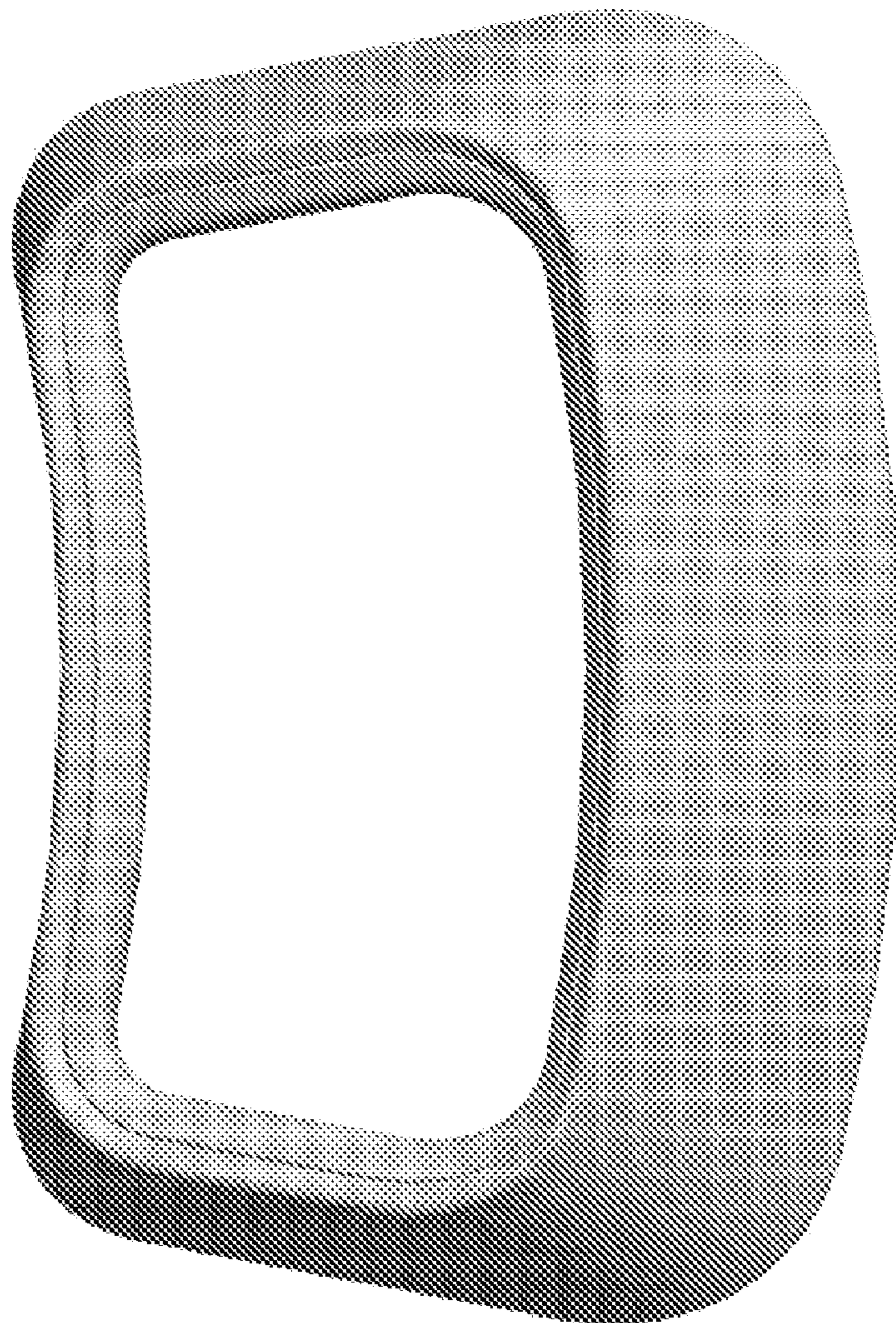


Fig. 4

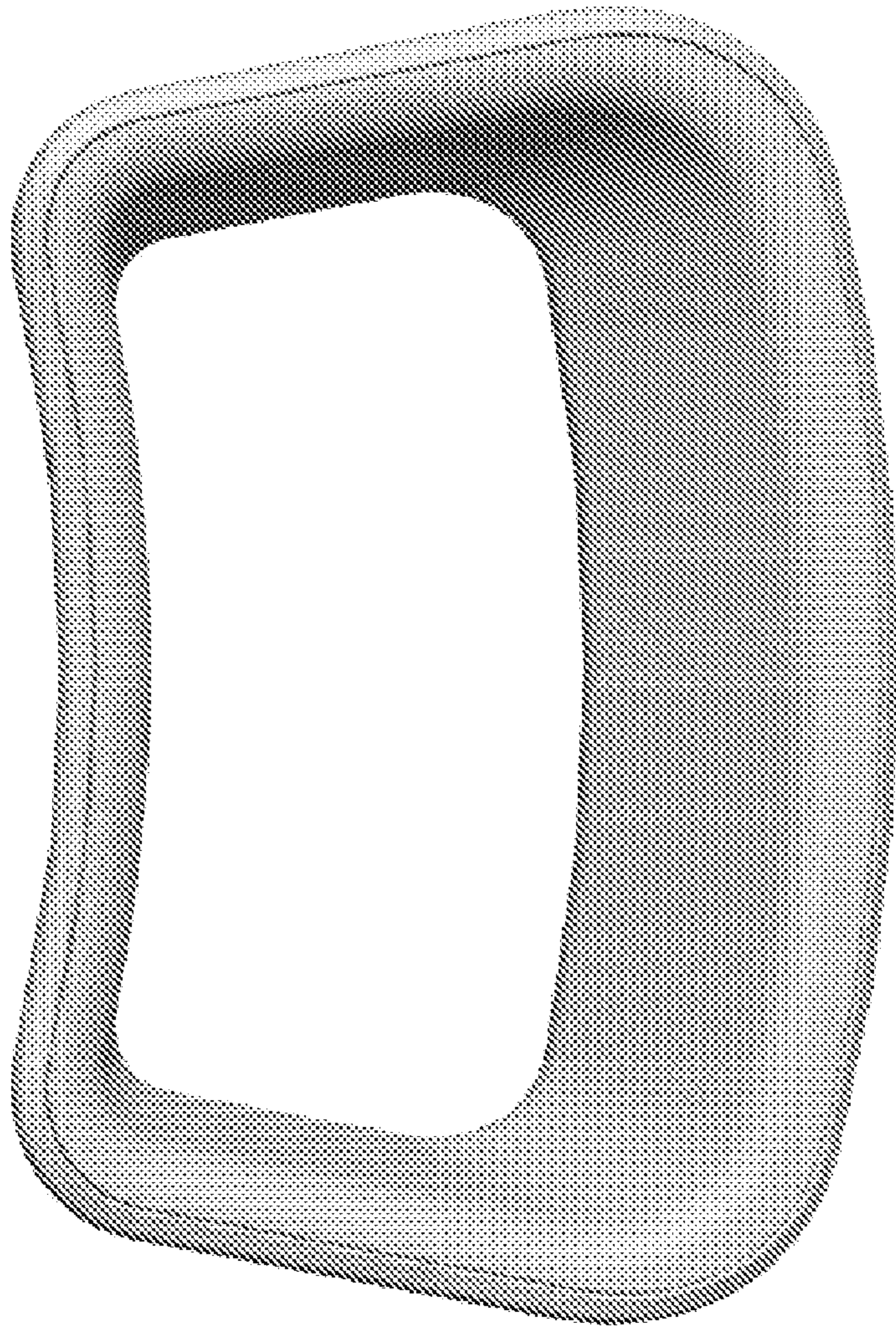


Fig. 5

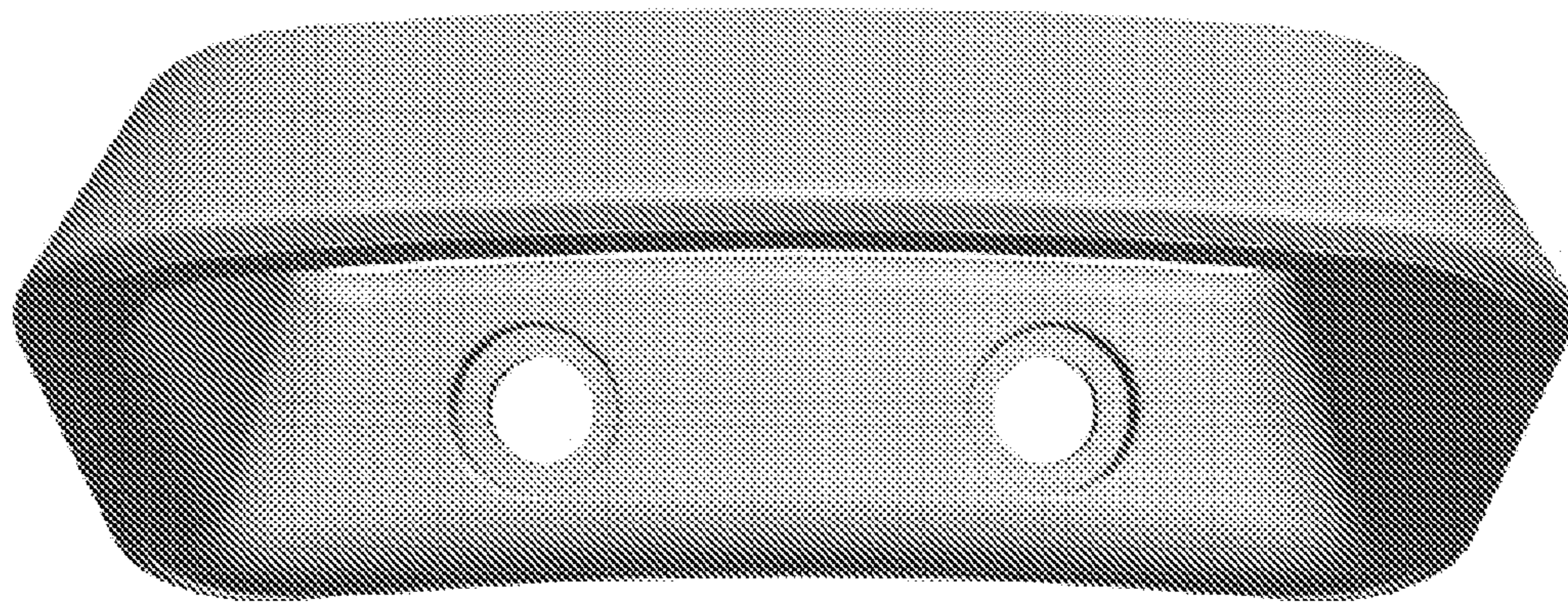


Fig. 6