



US00D622539S

(12) **United States Design Patent**
Simon et al.

(10) **Patent No.:** **US D622,539 S**
(45) **Date of Patent:** **** Aug. 31, 2010**

(54) **SPRING FORM BAKING PAN**
(75) Inventors: **Denise Simon**, Harbor Springs, MI (US);
Jeffrey Bull, Naperville, IL (US); **David Purcell**, Plainfield, IL (US)

2,259,854 A * 10/1941 Langel 249/163
4,644,858 A * 2/1987 Liotto et al. 99/449
4,998,000 A * 3/1991 Halloran 219/734
5,582,389 A * 12/1996 Greene 249/61
5,678,475 A * 10/1997 Villar Otero 99/432
5,768,980 A * 6/1998 Degen 99/426

(73) Assignee: **Wilton Industries, Inc.**, Woodridge, IL (US)

* cited by examiner

(**) Term: **14 Years**

Primary Examiner—Caron Veynar
Assistant Examiner—Ricky Pham

(21) Appl. No.: **29/317,763**

(74) *Attorney, Agent, or Firm*—Jennifer E. Lacroix, Esq.;
DLA Piper LLP (US)

(22) Filed: **May 6, 2008**

(57) **CLAIM**

(51) **LOC (9) Cl.** **07-02**

The ornamental design for a spring form baking pan, as shown and described.

(52) **U.S. Cl.** **D7/354**

(58) **Field of Classification Search** D7/323,
D7/354–361, 392.1, 393, 396.1, 407, 412,
D7/417, 505, 513, 540–545, 550.1, 551.1,
D7/552.1, 553.1, 553.4–553.8, 554.3, 555,
D7/584, 602; 99/322–433, 446, 448–449;
219/730, 734; 220/4.03, 573.1–573.4, 574,
220/601–602, 629, 669, 672–675, 912; 249/61,
249/117, 119, 122–124, 127, 144, 155–156,
249/163, 170

DESCRIPTION

See application file for complete search history.

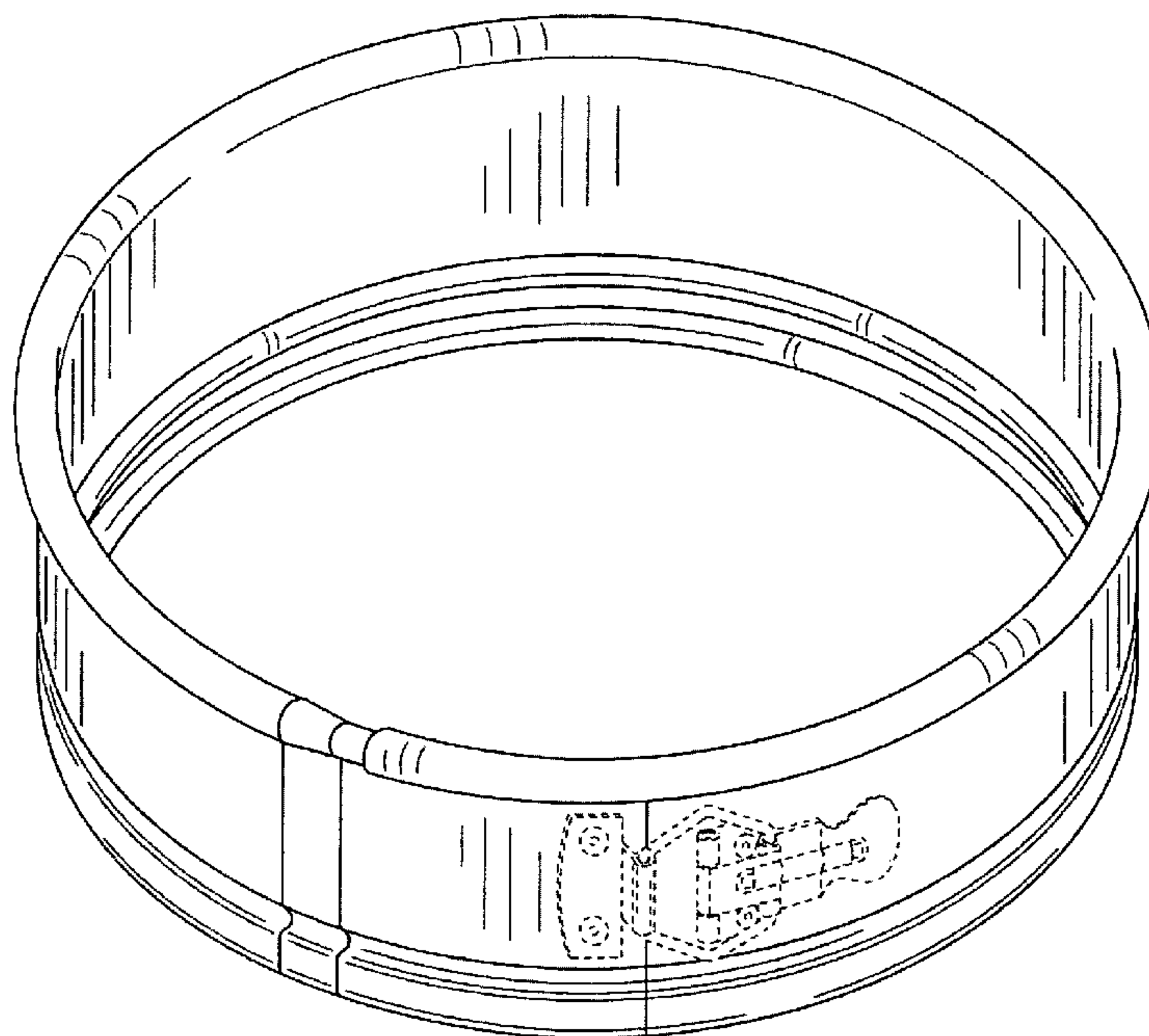
FIG. 1 is a perspective view of the spring form baking pan;
FIG. 2 is a front elevational view of the spring form baking pan;
FIG. 3 is a rear elevational view of the spring form baking pan;
FIG. 4 is a left side elevational view of the spring form baking pan;
FIG. 5 is a right side elevational view of the spring form baking pan;
FIG. 6 is a top plan view of the spring form baking pan; and,
FIG. 7 is a bottom plan view of the spring form baking pan.
The broken lines depicting hardware in the drawings form no part of the claimed design.

(56) **References Cited**

U.S. PATENT DOCUMENTS

559,788 A * 5/1896 Perrottet 249/170
572,509 A * 12/1896 Wilson 249/144
854,592 A * 5/1907 Nelson 249/170
1,154,972 A * 9/1915 Carlson 249/82
1,734,328 A * 11/1929 Conry 99/433
2,030,344 A * 2/1936 Young 220/4.03

1 Claim, 5 Drawing Sheets



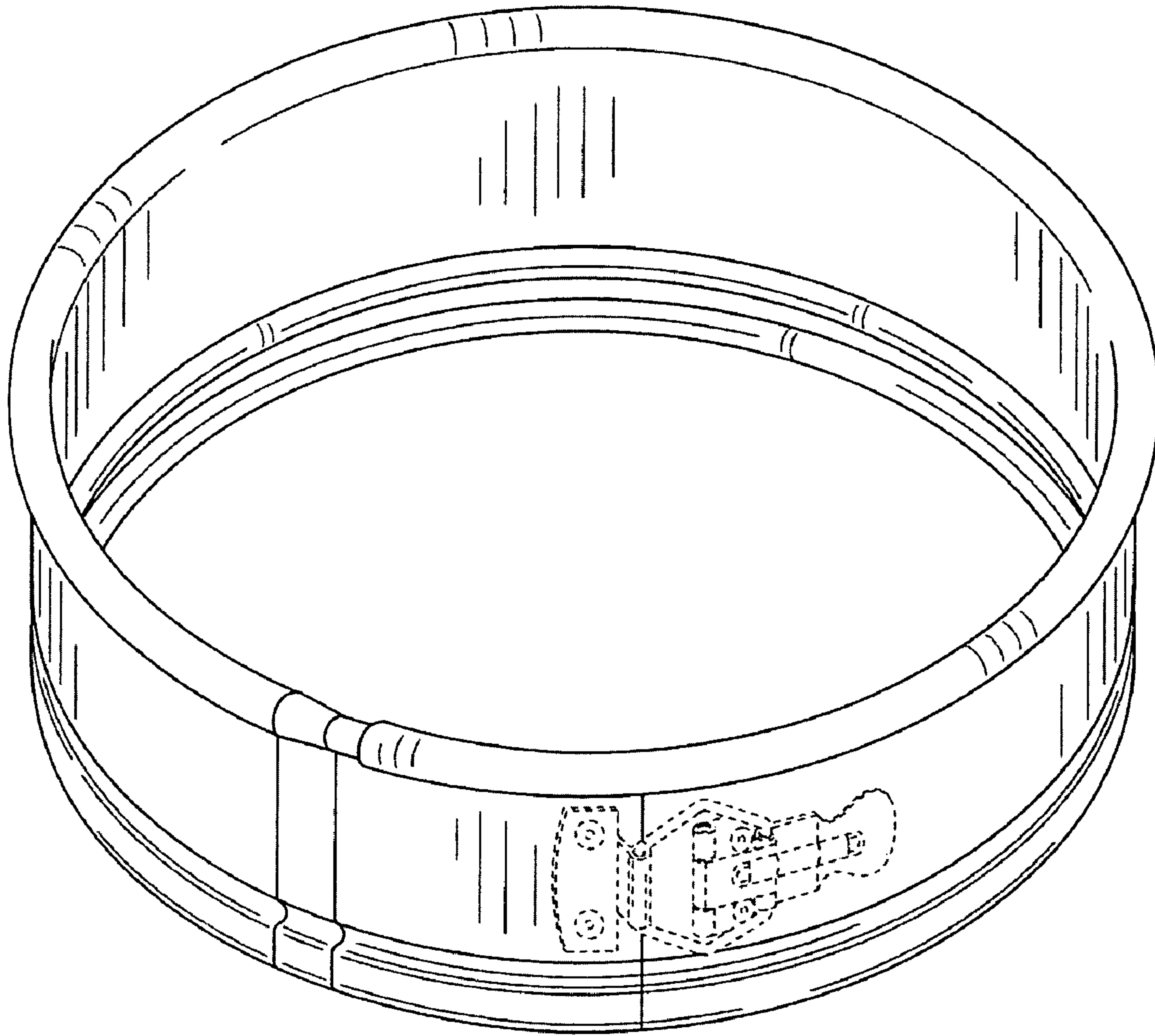


FIG. 1

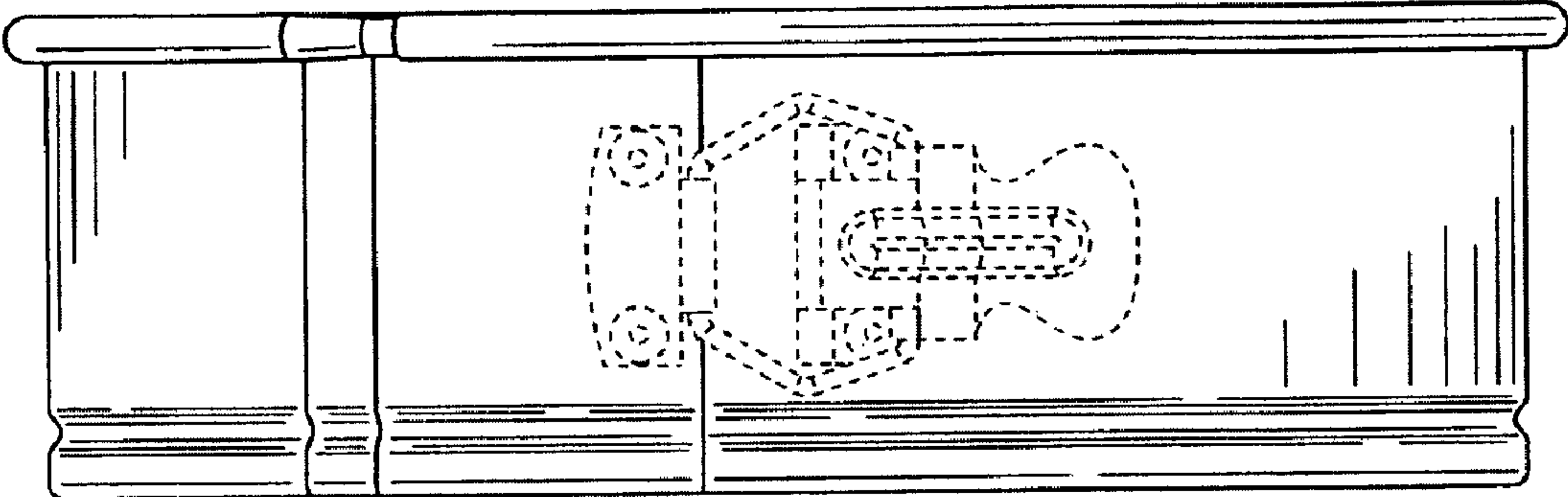


FIG. 2

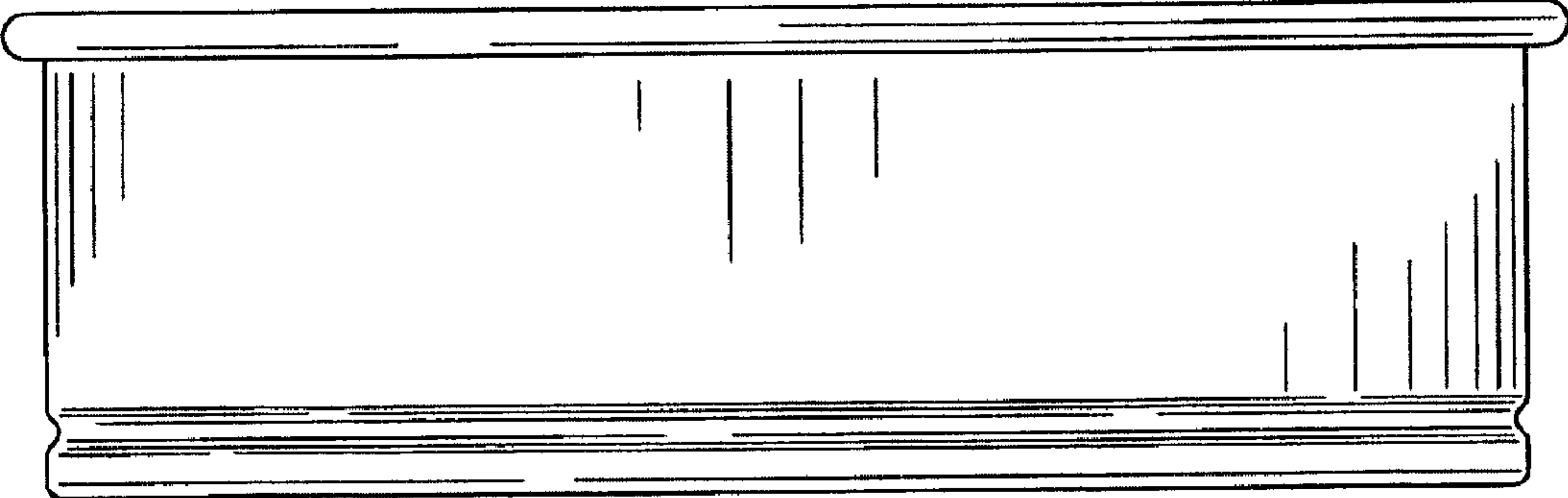


FIG. 3

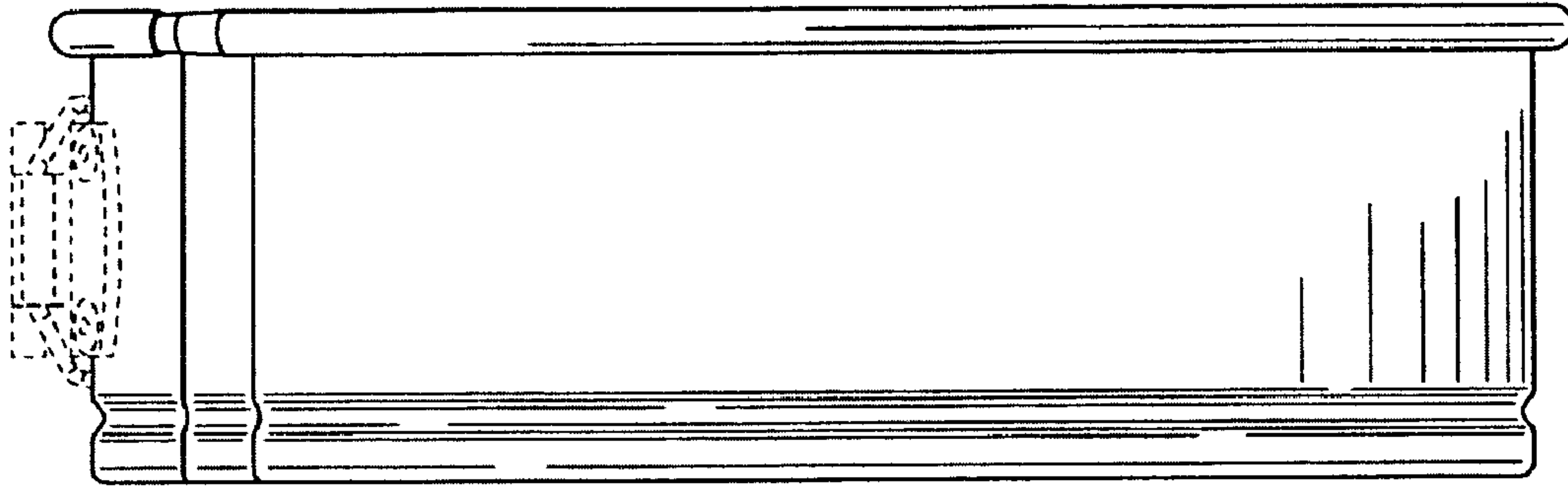


FIG. 4

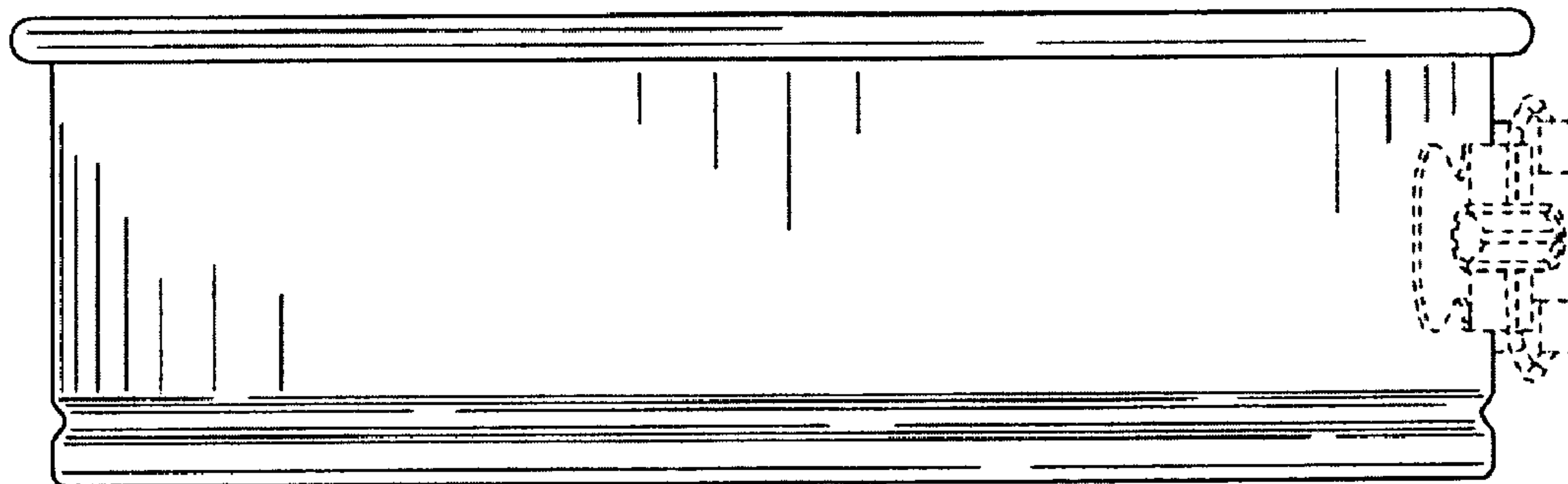


FIG. 5

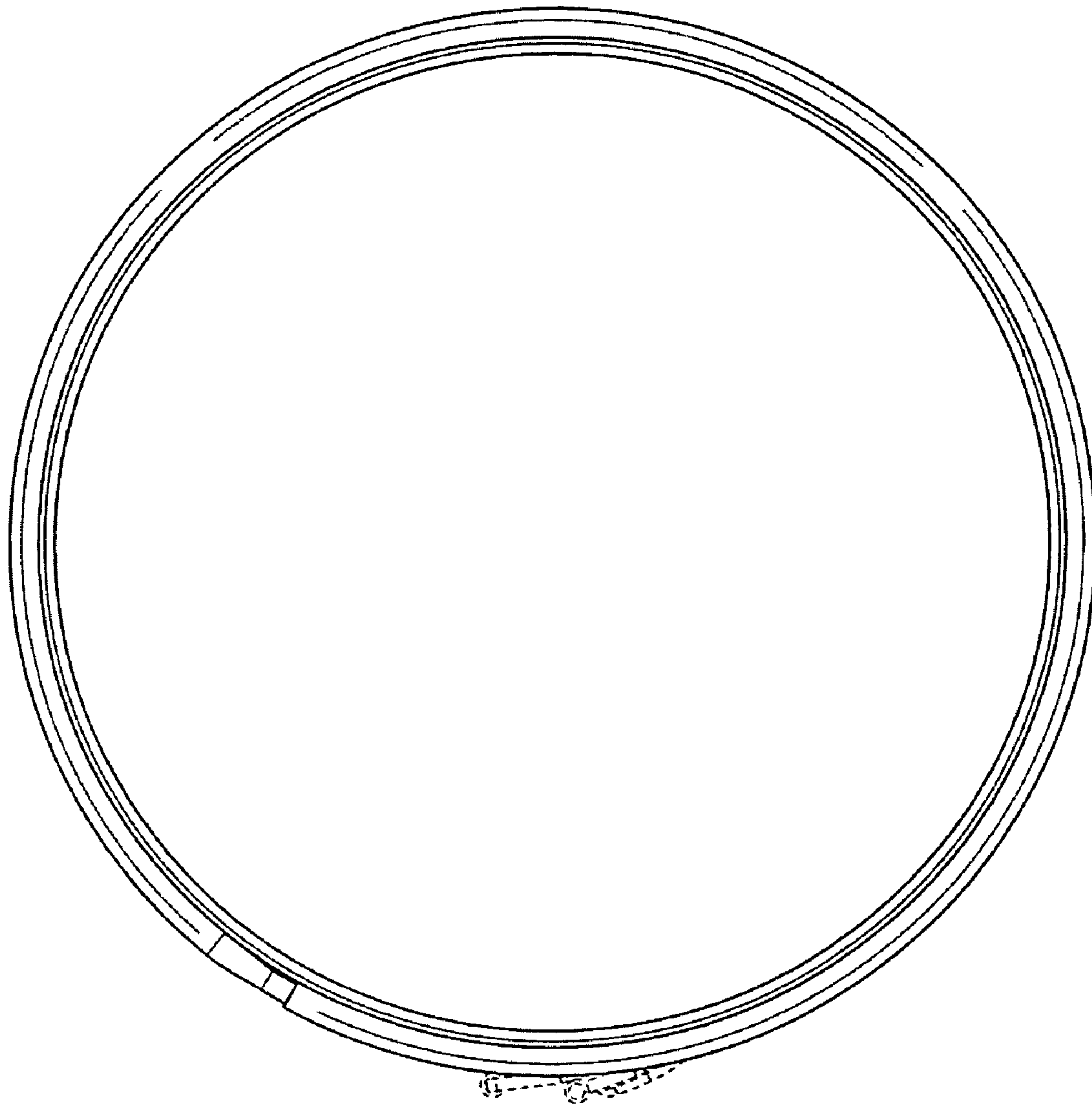


FIG. 6

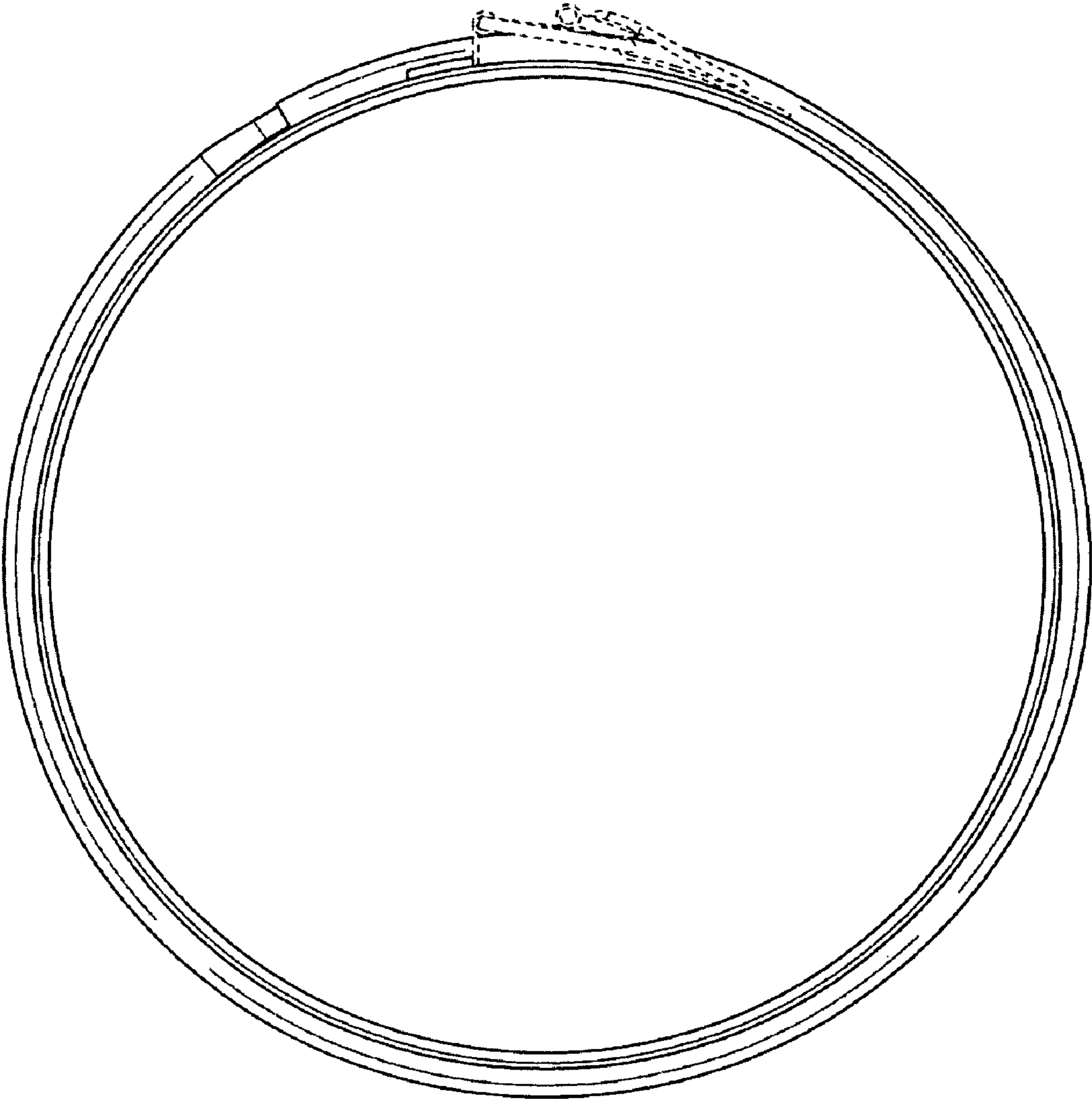


FIG. 7