



US00D622538S

(12) **United States Design Patent**
Hoare et al.

(10) **Patent No.:** **US D622,538 S**

(45) **Date of Patent:** **** Aug. 31, 2010**

(54) **GRILL**

(75) Inventors: **Richard Hoare**, Lane Cove (AU);
Nicholas Robinson, Bronte (AU)

(73) Assignee: **Breville Pty Limited**

(**) Term: **14 Years**

(21) Appl. No.: **29/350,562**

(22) Filed: **Nov. 18, 2009**

(30) **Foreign Application Priority Data**

Jun. 5, 2009 (AU) 12104/2009

(51) **LOC (9) Cl.** **07-02**

(52) **U.S. Cl.** **D7/352**

(58) **Field of Classification Search** D7/323,
D7/328-332, 334-341, 347-349, 350.3, 351-363,
D7/609; 99/219, 331, 339-340, 349, 369,
99/372-375, 385-386, 389, 392, 425, 444,
99/446, 466, 601, 618, 620; 219/524-525,
219/620-622, 732-734

See application file for complete search history.

(56) **References Cited**

U.S. PATENT DOCUMENTS

D509,703 S * 9/2005 Barker D7/352
D527,941 S * 9/2006 Serra D7/352
D528,350 S * 9/2006 McHutchison D7/352
D546,619 S * 7/2007 McHutchison D7/352

D581,202 S * 11/2008 Tetreault et al. D7/352
D588,858 S * 3/2009 Tetreault et al. D7/352
2007/0017384 A1 * 1/2007 Serra 99/372

FOREIGN PATENT DOCUMENTS

WO WO 2005037035 A1 * 4/2005

* cited by examiner

Primary Examiner—Caron Veynar

Assistant Examiner—Ricky Pham

(74) *Attorney, Agent, or Firm*—Molins & Co.

(57) **CLAIM**

The ornamental design for a grill, as shown and described.

DESCRIPTION

FIG. 1 is a front perspective view of a grill showing our new design;

FIG. 2 is a rear perspective view thereof;

FIG. 3 is a front view thereof;

FIG. 4 is a back view thereof;

FIG. 5 is a left side view thereof;

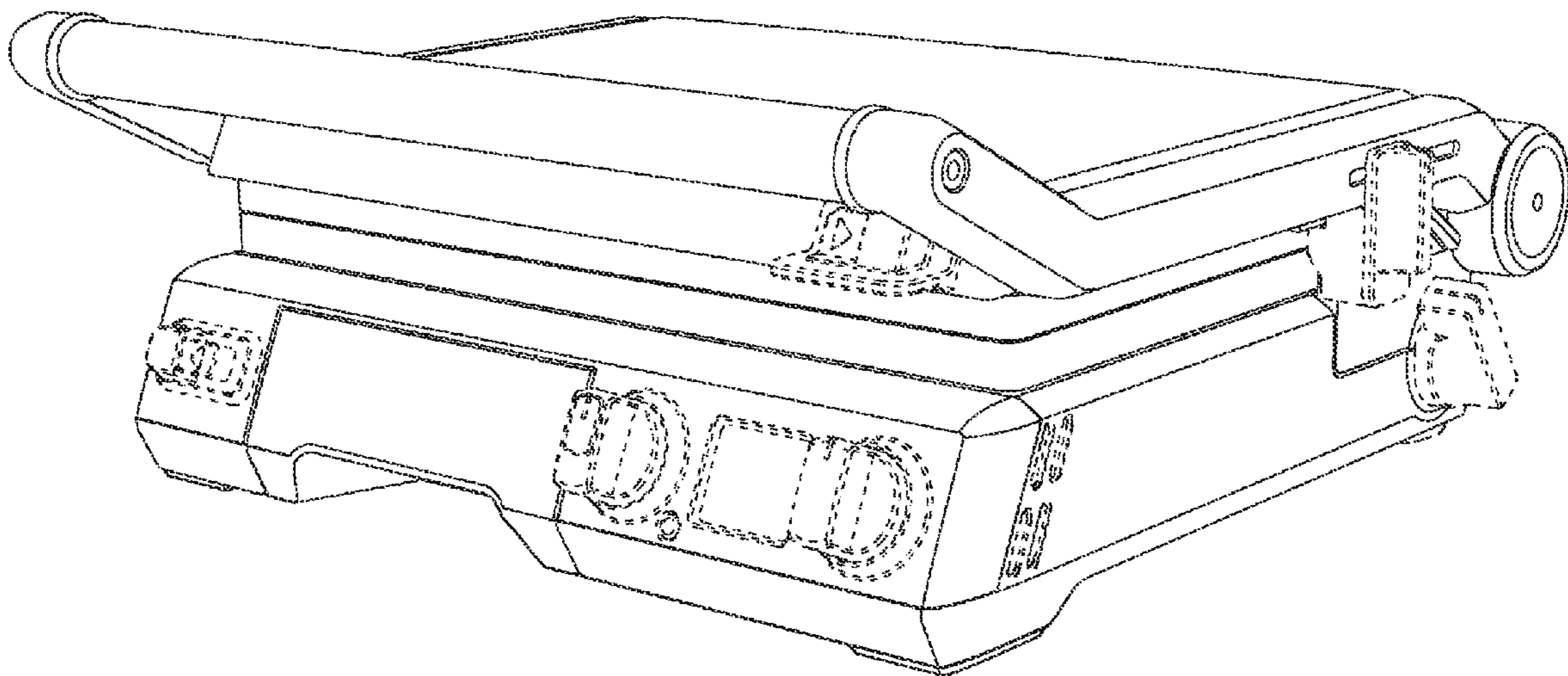
FIG. 6 is a right side view thereof;

FIG. 7 is a top plan view thereof; and,

FIG. 8 is a bottom plan view thereof.

The broken lines shown in the drawings are for illustrative purposes only and form no part of the claimed design.

1 Claim, 6 Drawing Sheets



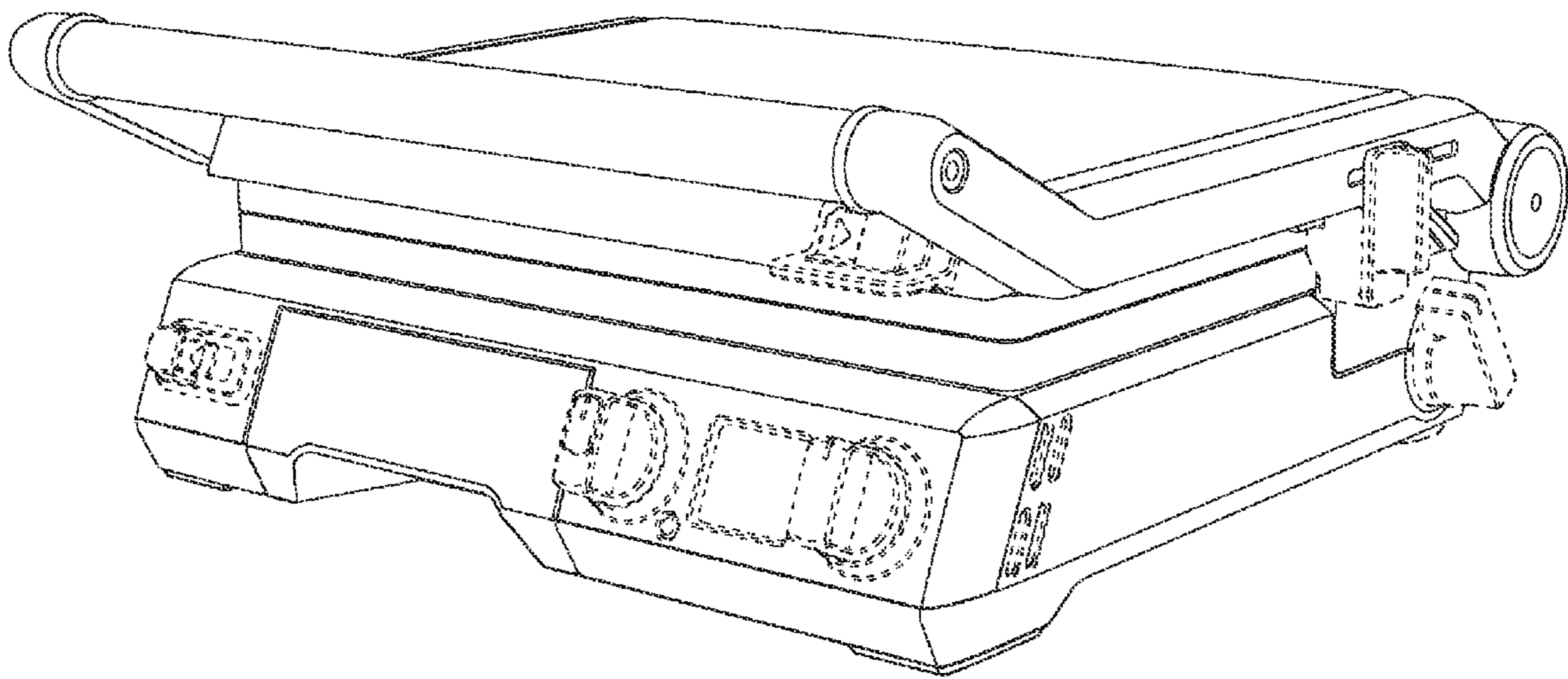


FIG. 1

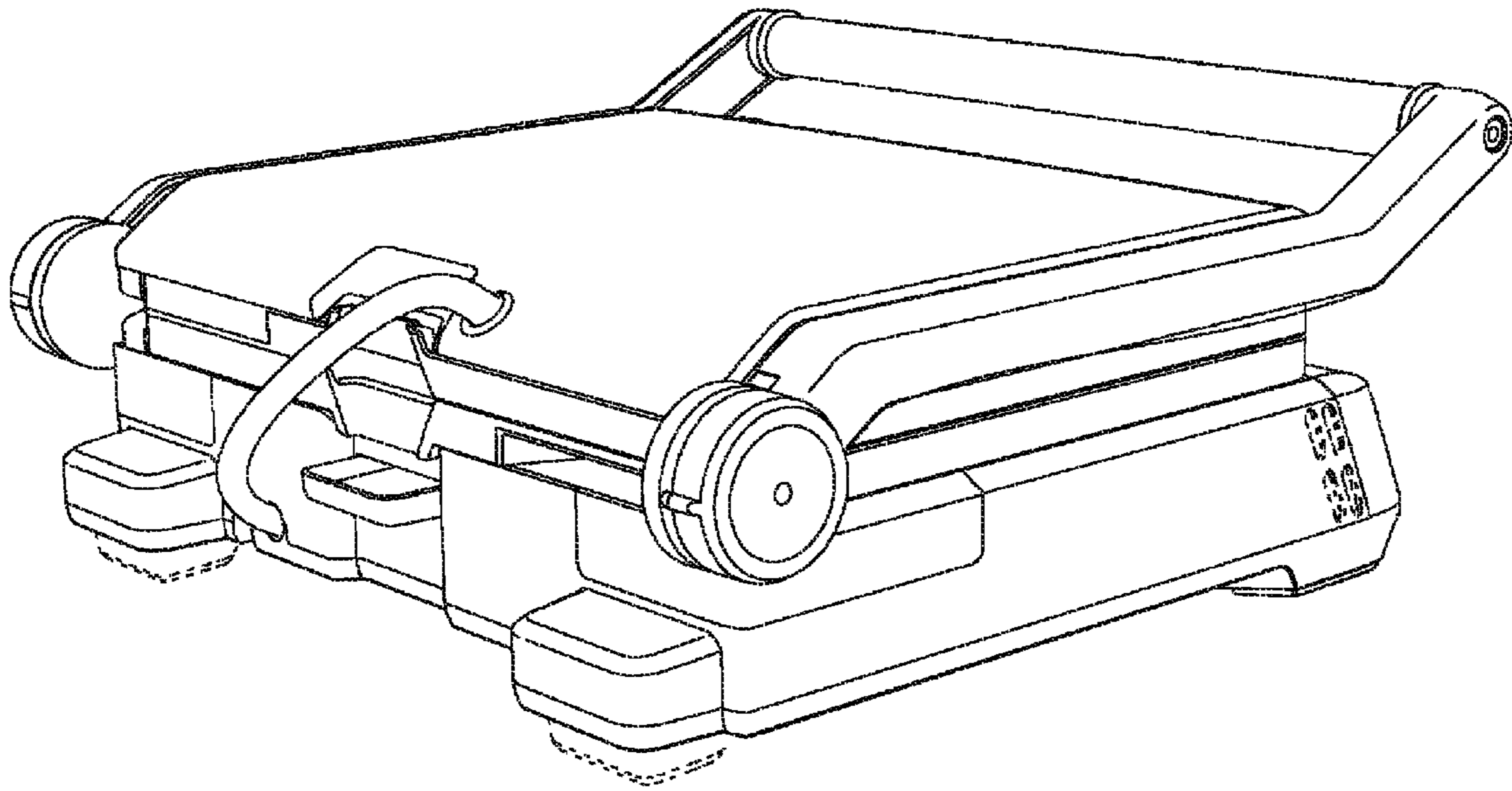


FIG. 2

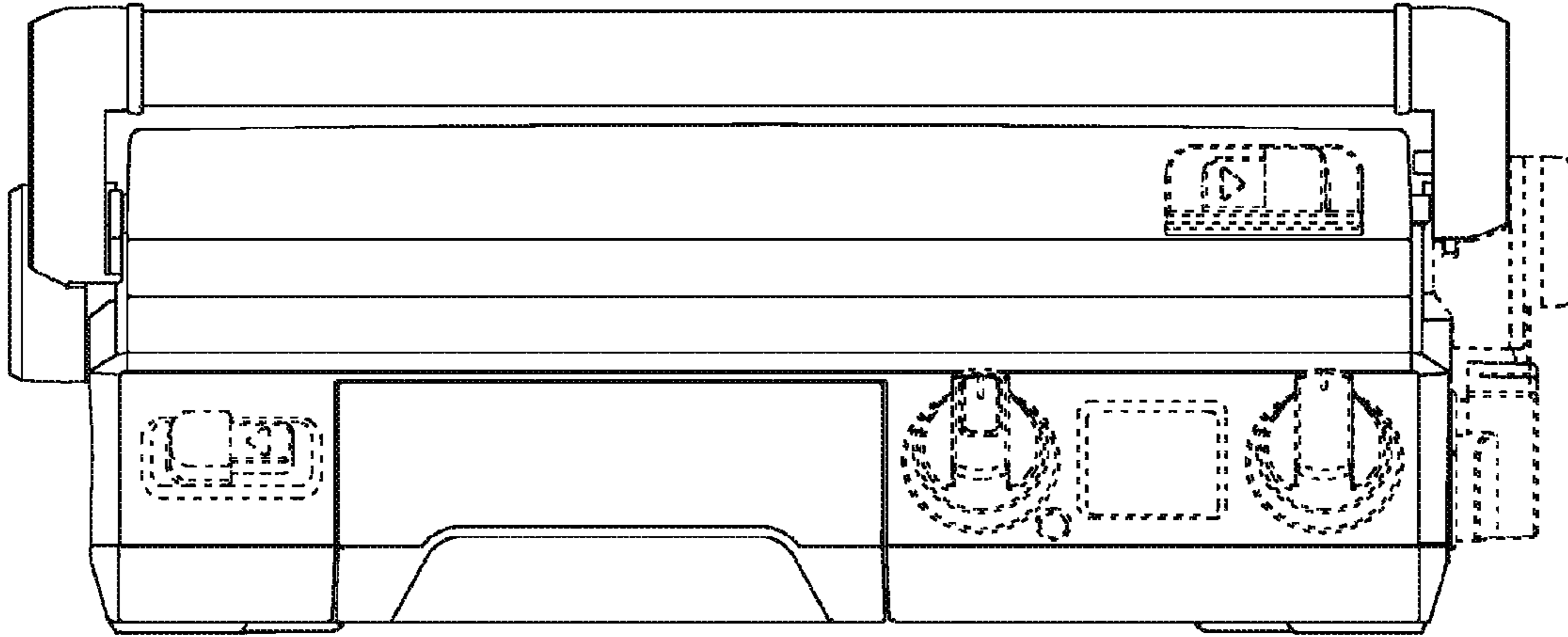


FIG. 3

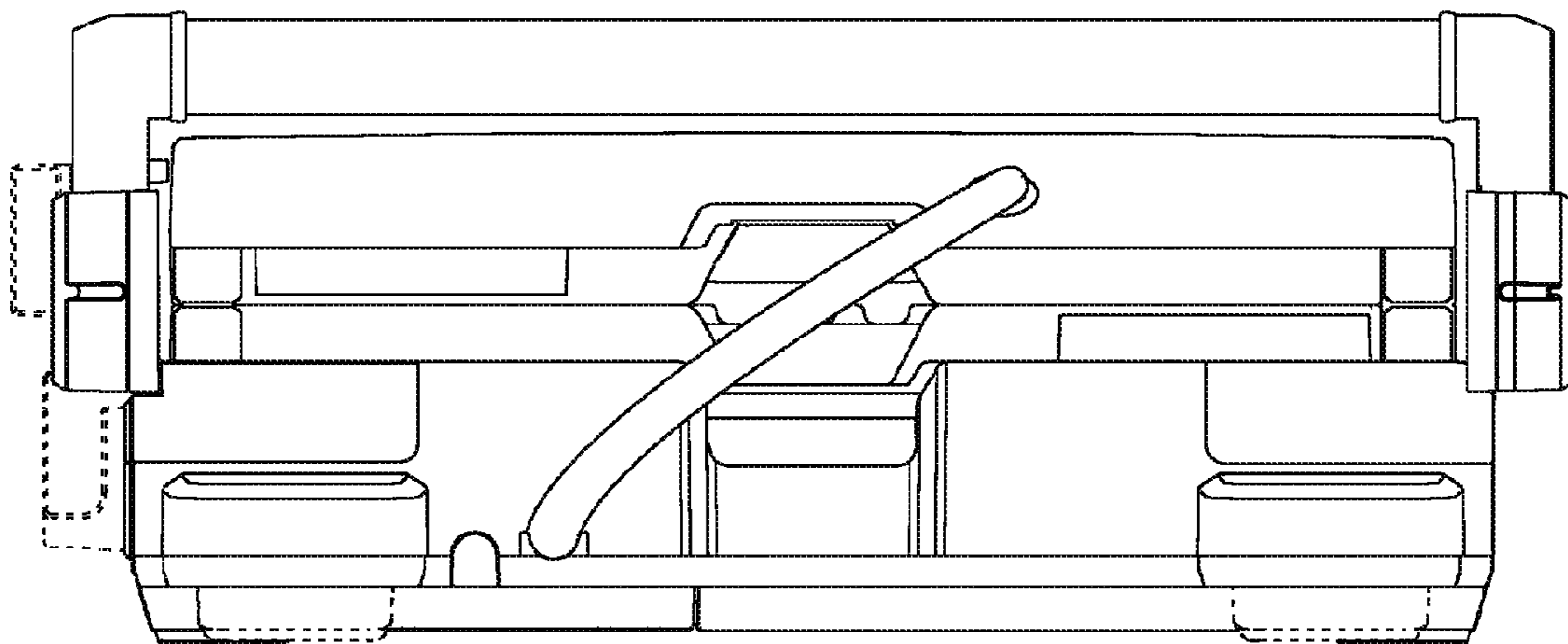


FIG. 4

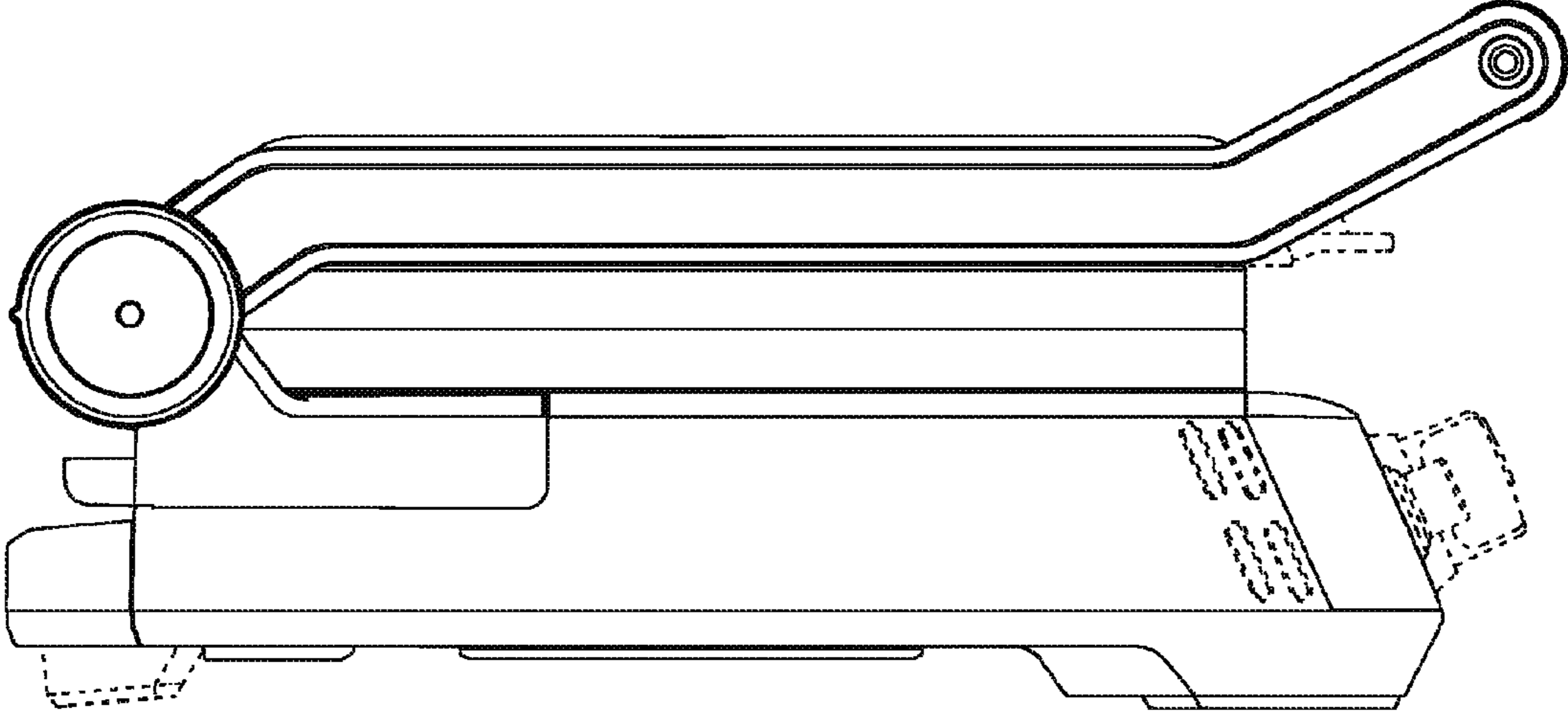


FIG. 5

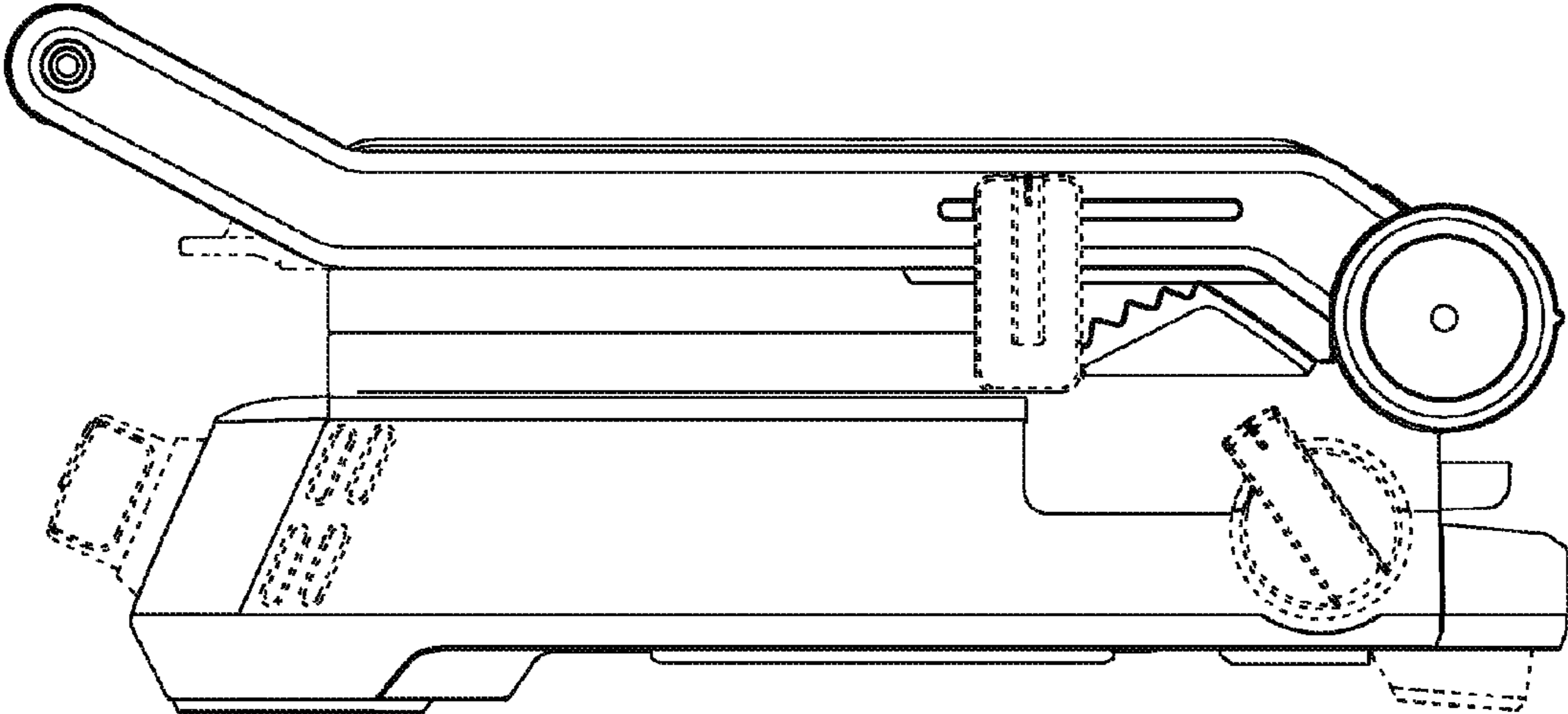


FIG. 6

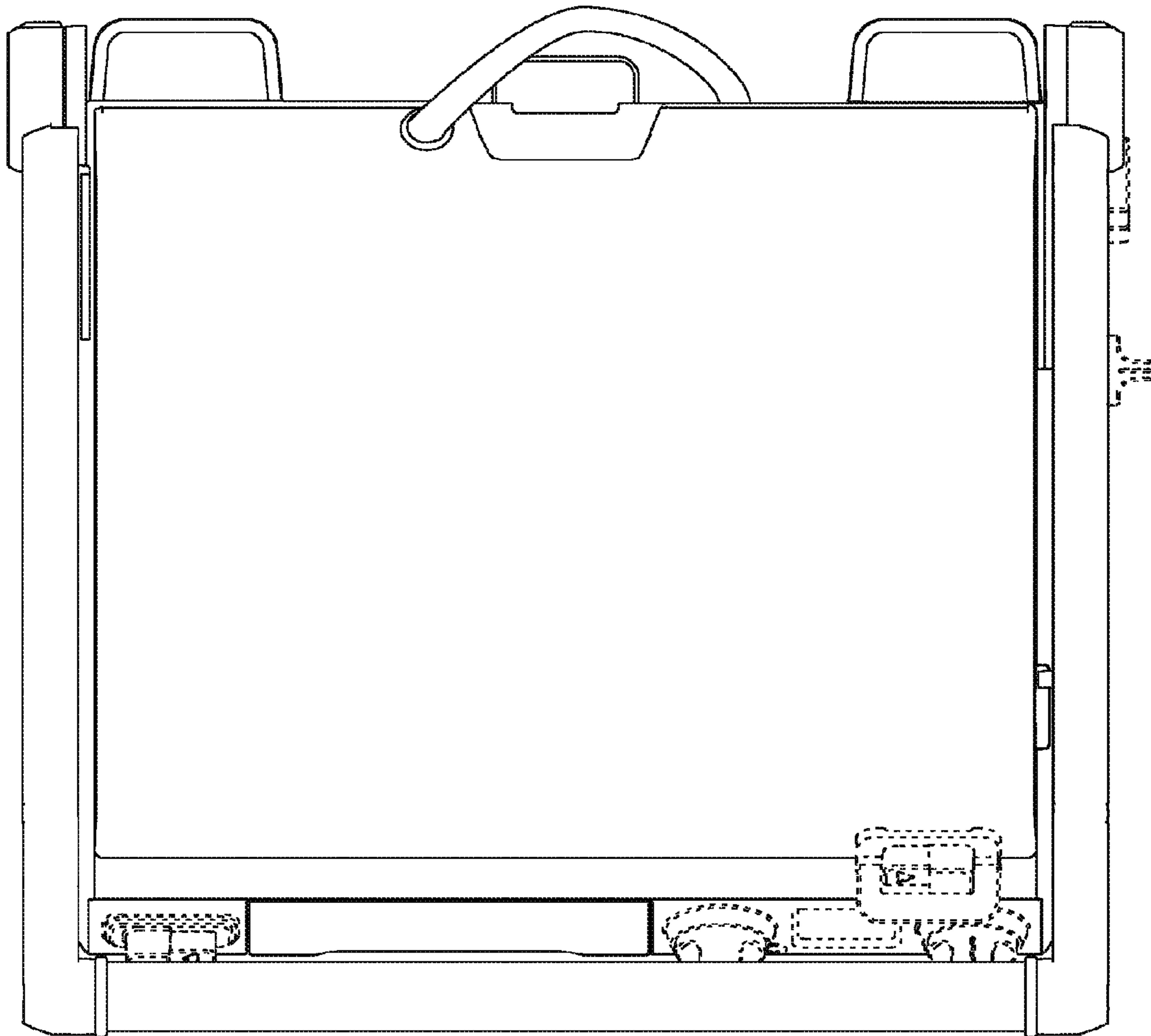


FIG. 7

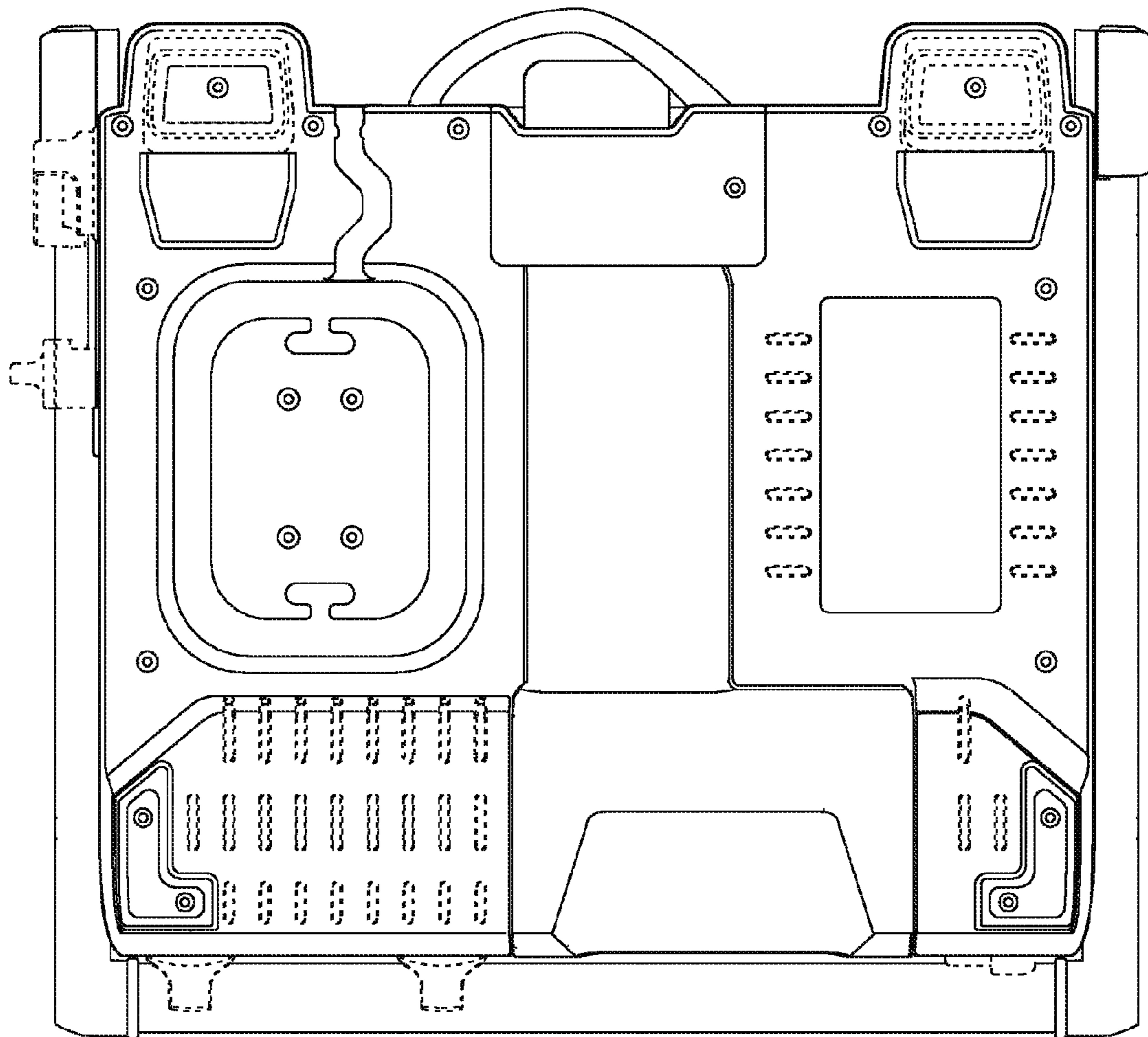


FIG. 8