



US00D622537S

(12) **United States Design Patent**
Kim et al.

(10) **Patent No.:** **US D622,537 S**

(45) **Date of Patent:** **** Aug. 31, 2010**

(54) **GAS OVEN RANGE**

D564,282 S * 3/2008 Suh et al. D7/340
D617,133 S * 6/2010 Grey et al. D7/340

(75) Inventors: **Tae Youn Kim**, Kyungki-do (KR);
Jeong Min Kim, Seoul (KR); **Sun Soo Shin**,
Kyungki-do (KR)

* cited by examiner

(73) Assignee: **Samsung Electronics Co., Ltd.**, Suwon
(KR)

Primary Examiner—Catherine R Oliver

(74) *Attorney, Agent, or Firm*—Ladas & Parry LLP

(**) Term: **14 Years**

(57) **CLAIM**

(21) Appl. No.: **29/355,492**

We claim the ornamental design for gas oven range, as shown.

(22) Filed: **Feb. 9, 2010**

DESCRIPTION

(51) **LOC (9) Cl.** **07-02**

FIG. 1 is a front/right-side/top perspective view of a gas oven range showing our new design;

(52) **U.S. Cl.** **D7/340**

FIG. 2 is a front elevational view thereof;

(58) **Field of Classification Search** D7/340,
D7/339–341, 346–349, 402, 407–408; 126/39 C,
126/273 R, 257 E, 273 A; 219/391–392,
219/395

FIG. 3 is a rear elevational view thereof;

FIG. 4 is a left-side elevational view thereof;

See application file for complete search history.

FIG. 5 is a right-side elevational view thereof;

FIG. 6 is a top plan view thereof; and,

FIG. 7 is a bottom plan view thereof.

(56) **References Cited**

U.S. PATENT DOCUMENTS

D510,227 S * 10/2005 Baldwin D7/340

1 Claim, 7 Drawing Sheets

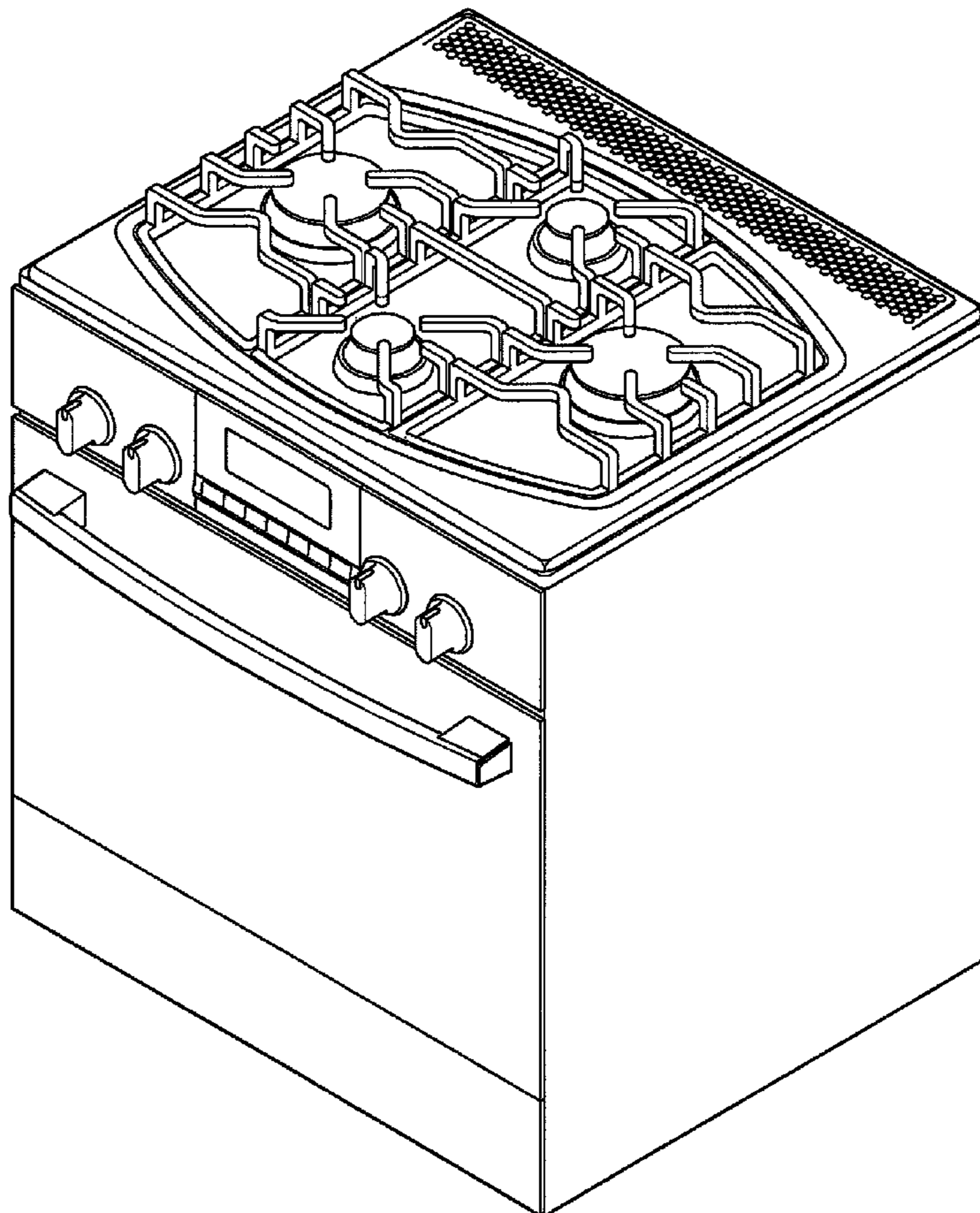


FIG. 1

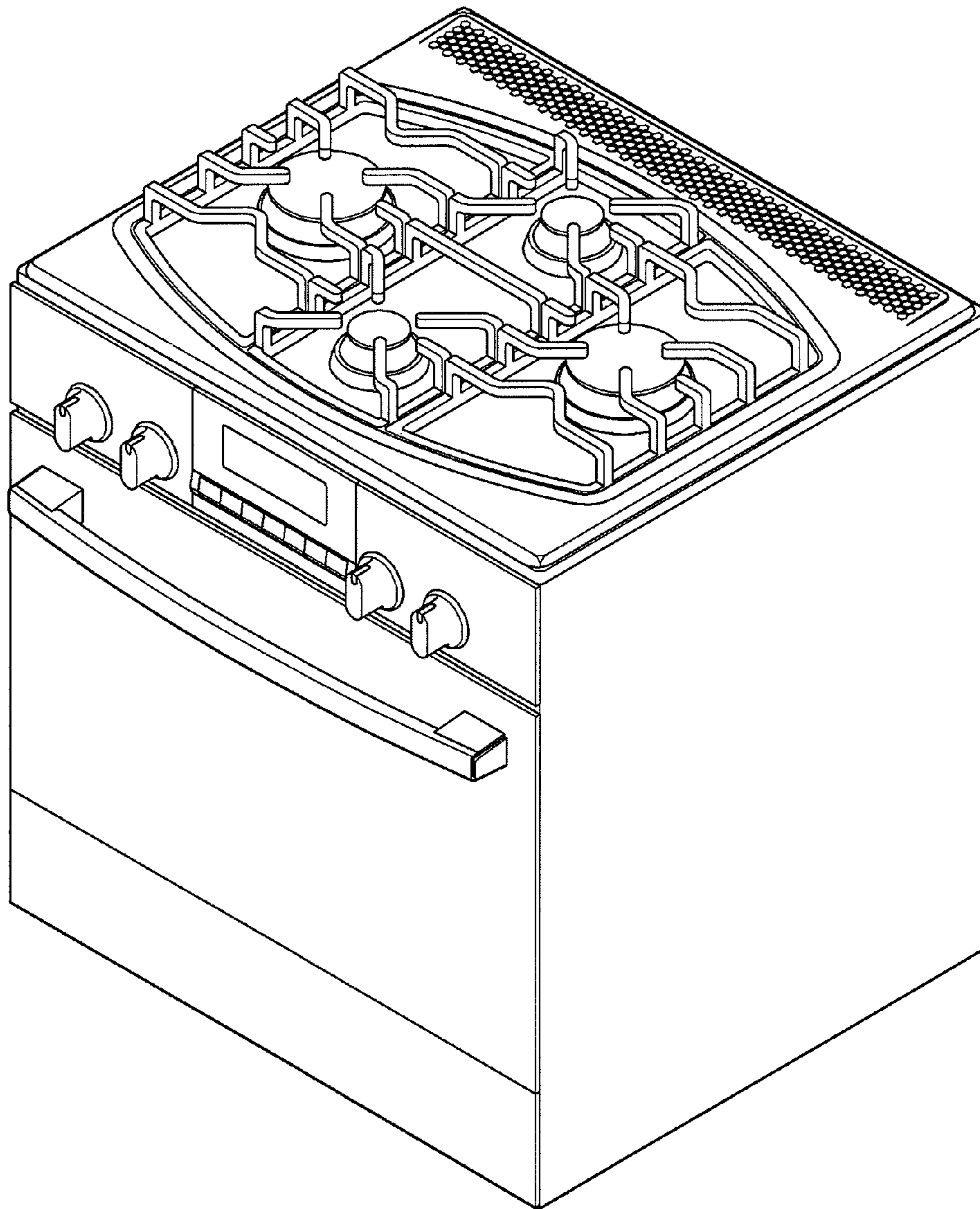


FIG. 2

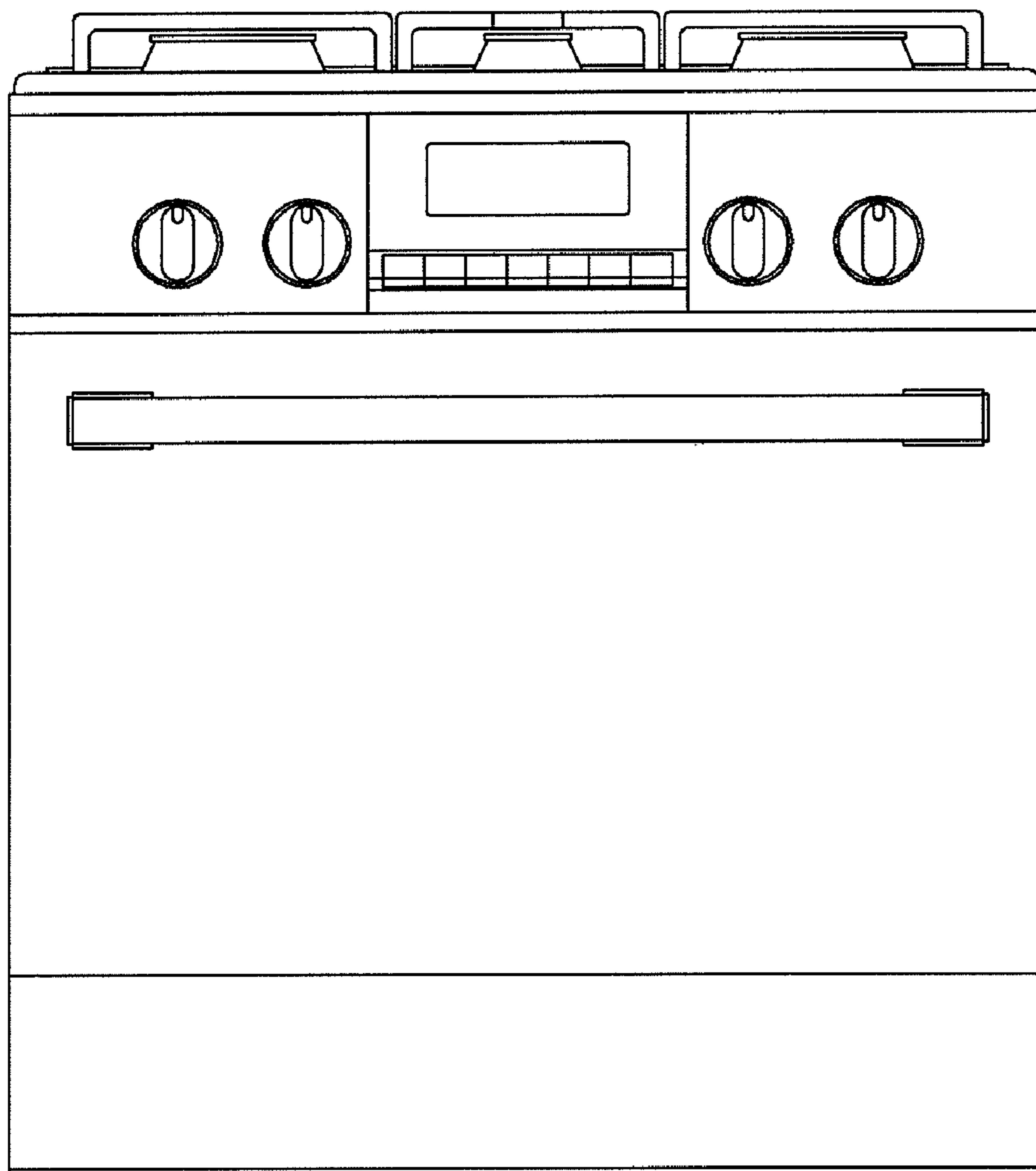


FIG. 3

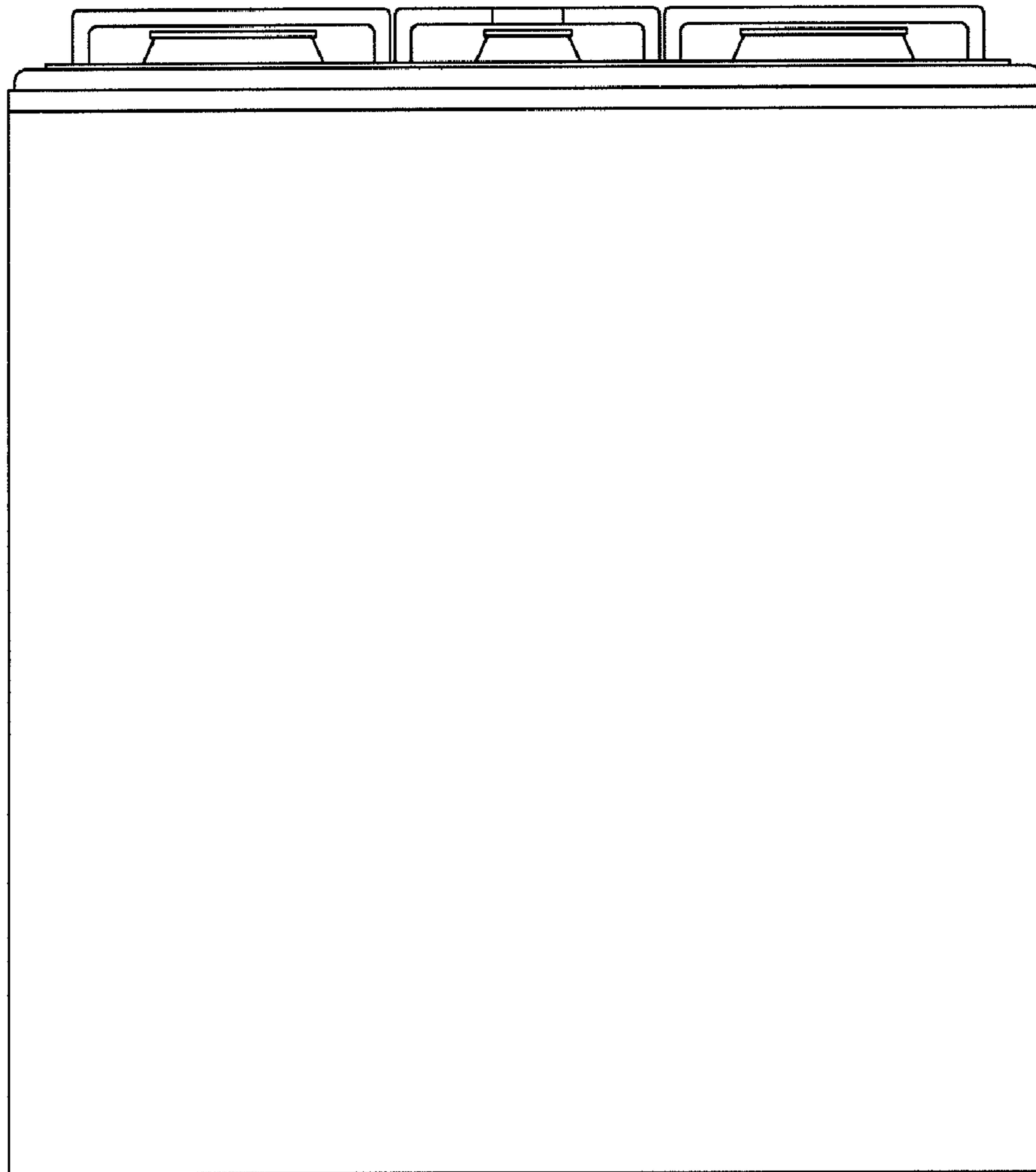


FIG. 4

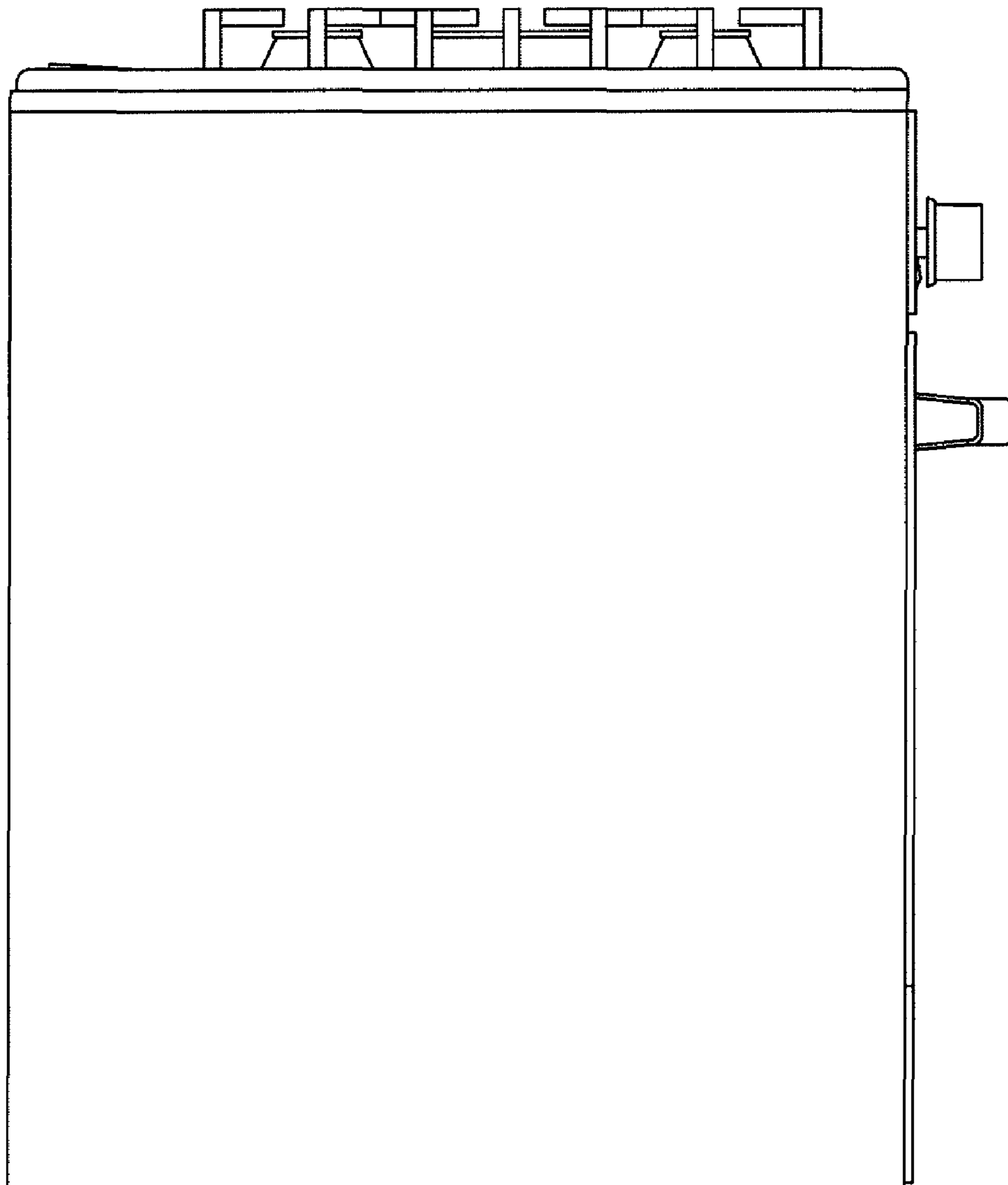


FIG. 5

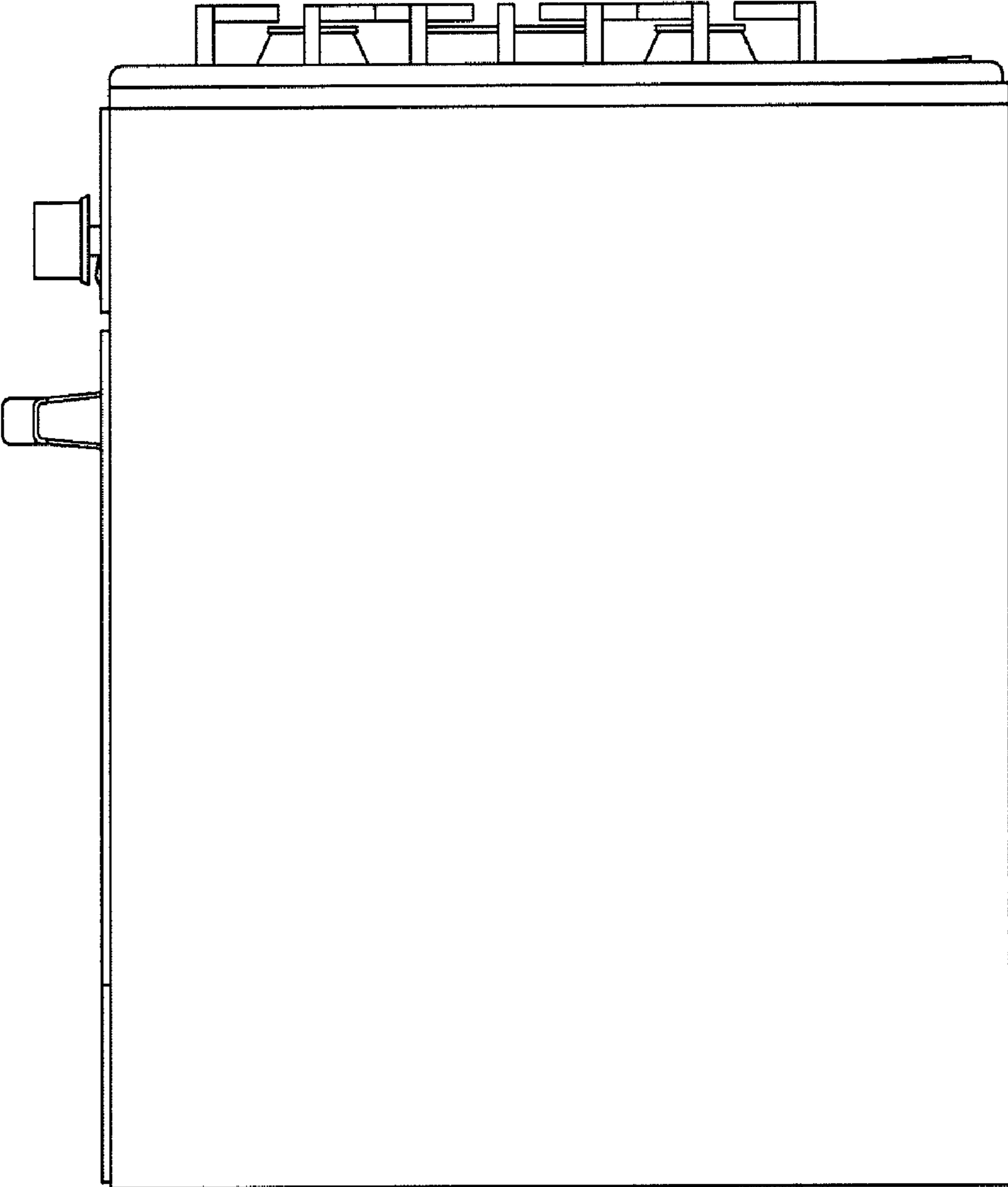


FIG. 6

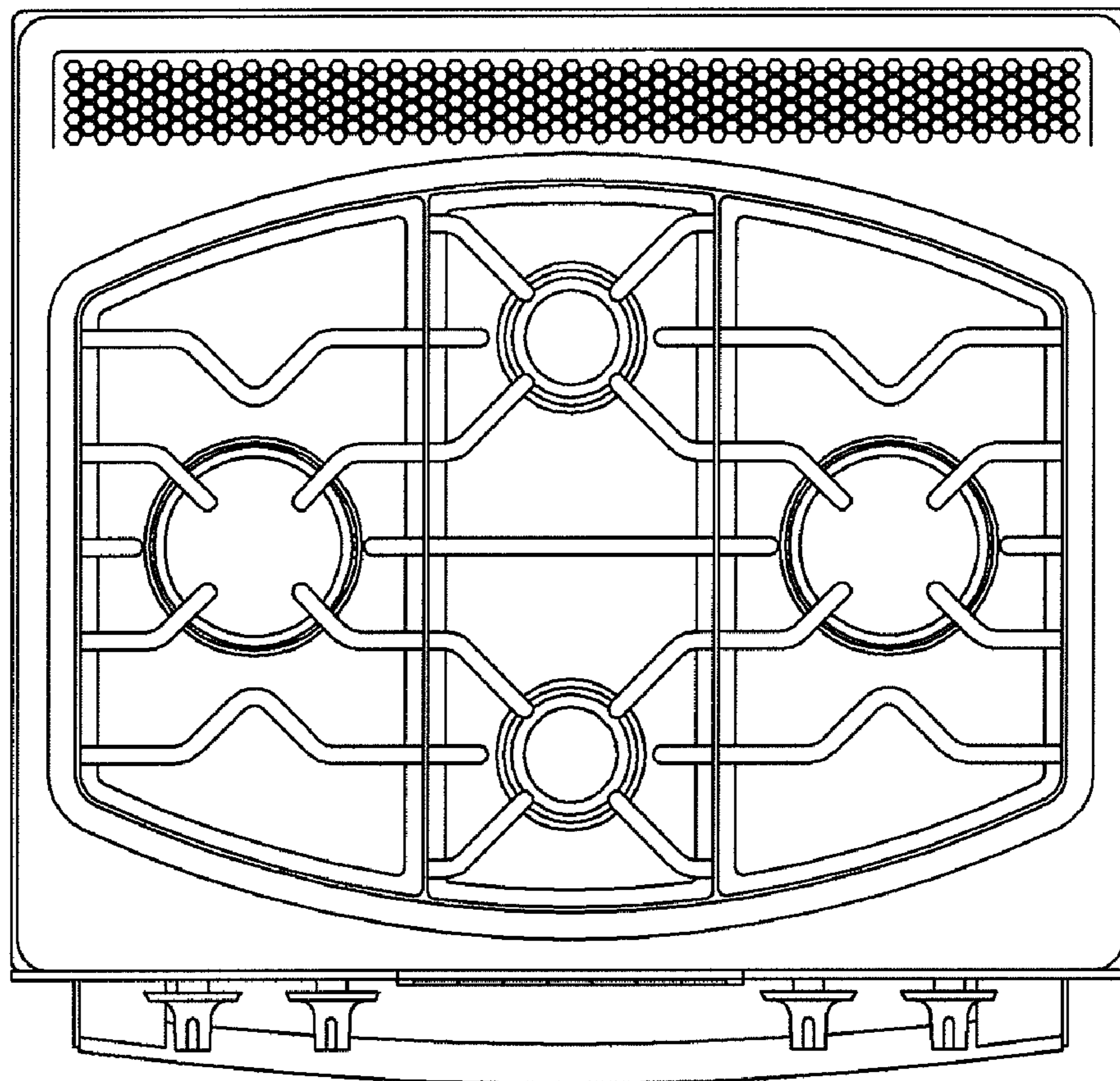


FIG. 7

