



US00D622535S

(12) **United States Design Patent**
Jaffe et al.

(10) **Patent No.:** **US D622,535 S**

(45) **Date of Patent:** **** Aug. 31, 2010**

(54) **DISPENSING UNIT FOR A BEVERAGE CONTAINER**

(75) Inventors: **Danene Jaffe**, Weston, FL (US); **Asoka Veeravagu**, Boynton Beach, FL (US); **Adam Day**, Boynton Beach, FL (US); **William Goralski**, Delray Beach, FL (US); **Mark Bates**, Westwood, MA (US)

(73) Assignee: **Sunbeam Products, Inc.**, Boca Raton, FL (US)

(**) Term: **14 Years**

(21) Appl. No.: **29/351,060**

(22) Filed: **Nov. 30, 2009**

(51) **LOC (9) Cl.** **07-01**

(52) **U.S. Cl.** **D7/307; D7/308**

(58) **Field of Classification Search** D7/300, D7/397, 306-311; 222/129.1-129.4, 146.6, 222/146.1; D14/188, 157

See application file for complete search history.

(56) **References Cited**

U.S. PATENT DOCUMENTS

D183,778	S	*	10/1958	Smyth	D7/313
3,237,810	A	*	3/1966	Gran	222/146.6
3,435,990	A	*	4/1969	Pike, Jr.	222/1
D245,249	S	*	8/1977	Preble	D7/300
4,304,341	A	*	12/1981	Shirley	222/131
4,986,448	A	*	1/1991	Takahashi et al.	222/129.1
D316,796	S	*	5/1991	Kirschner et al.	D7/311
D316,940	S	*	5/1991	Boyd	D6/467
D407,594	S	*	4/1999	Jones et al.	D7/307

D436,491	S	*	1/2001	Anderson	D7/300
6,205,910	B1	*	3/2001	Vaughn	99/326
D482,231	S	*	11/2003	Dickson et al.	D7/378
D572,232	S	*	7/2008	Joseph	D14/188
D597,066	S	*	7/2009	Millen et al.	D14/194
D598,892	S	*	8/2009	Wada et al.	D14/188
D603,208	S	*	11/2009	Jaffe et al.	D7/307
D603,910	S	*	11/2009	Uttley et al.	D21/484
D607,683	S	*	1/2010	Choi	D7/309
D610,103	S	*	2/2010	Miller et al.	D14/125
D614,160	S	*	4/2010	Glaspie	D14/157

* cited by examiner

Primary Examiner—Marianne Pandozzi

(74) *Attorney, Agent, or Firm*—Lawrence J. Shurupoff

(57) **CLAIM**

The ornamental design for a dispensing unit for a beverage container, shown and described.

DESCRIPTION

FIG. 1 is a top front right perspective view of the dispensing unit for a beverage container showing the new design;

FIG. 2 is a left side elevation view thereof;

FIG. 3 is a front elevation view thereof;

FIG. 4 is a right side elevation view thereof;

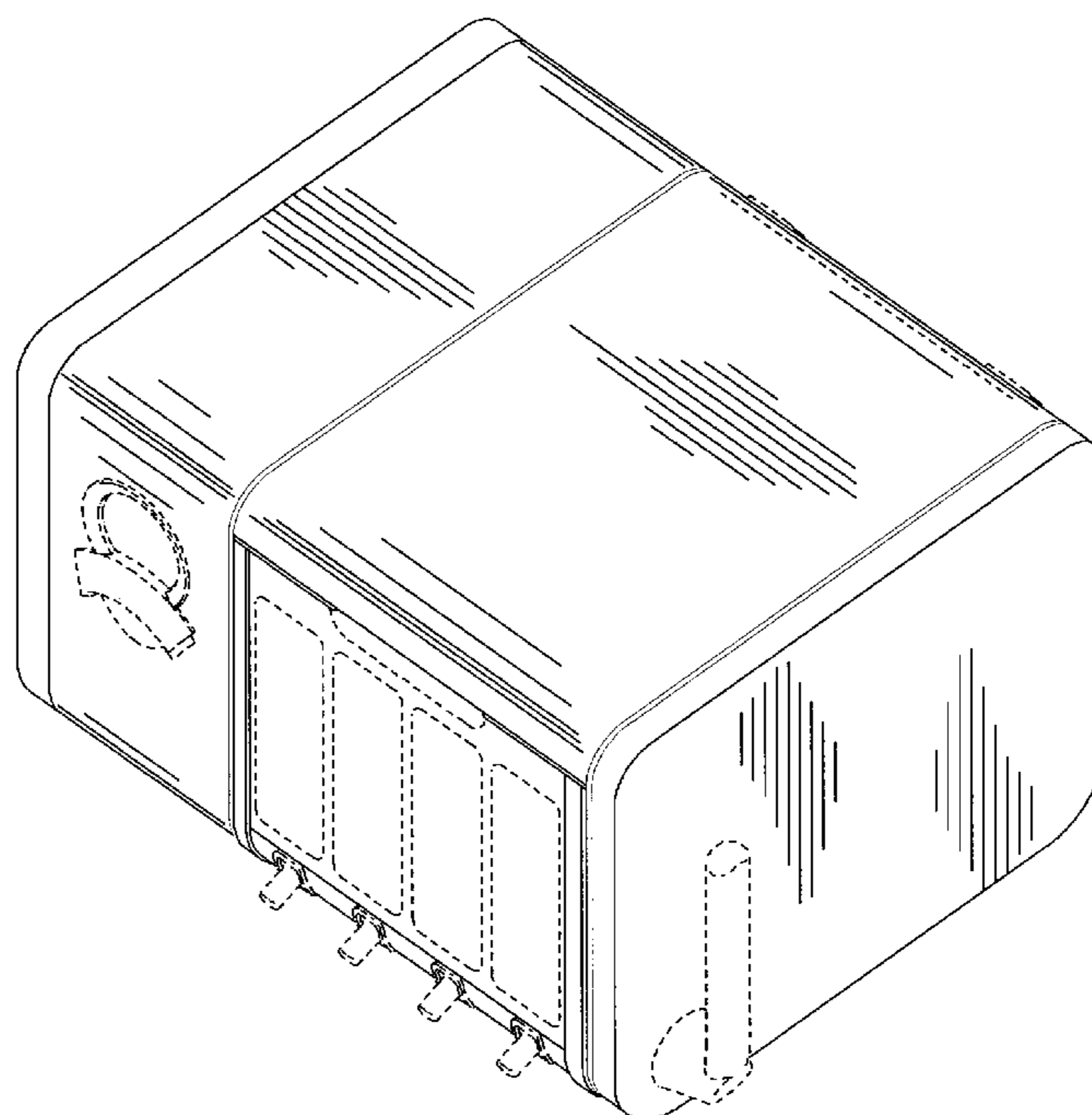
FIG. 5 is a rear elevation view thereof;

FIG. 6 is a top plan view thereof; and,

FIG. 7 is a bottom plan view thereof.

The broken lines in the drawings are for illustrative purposes only and form no part of the claimed design.

1 Claim, 7 Drawing Sheets



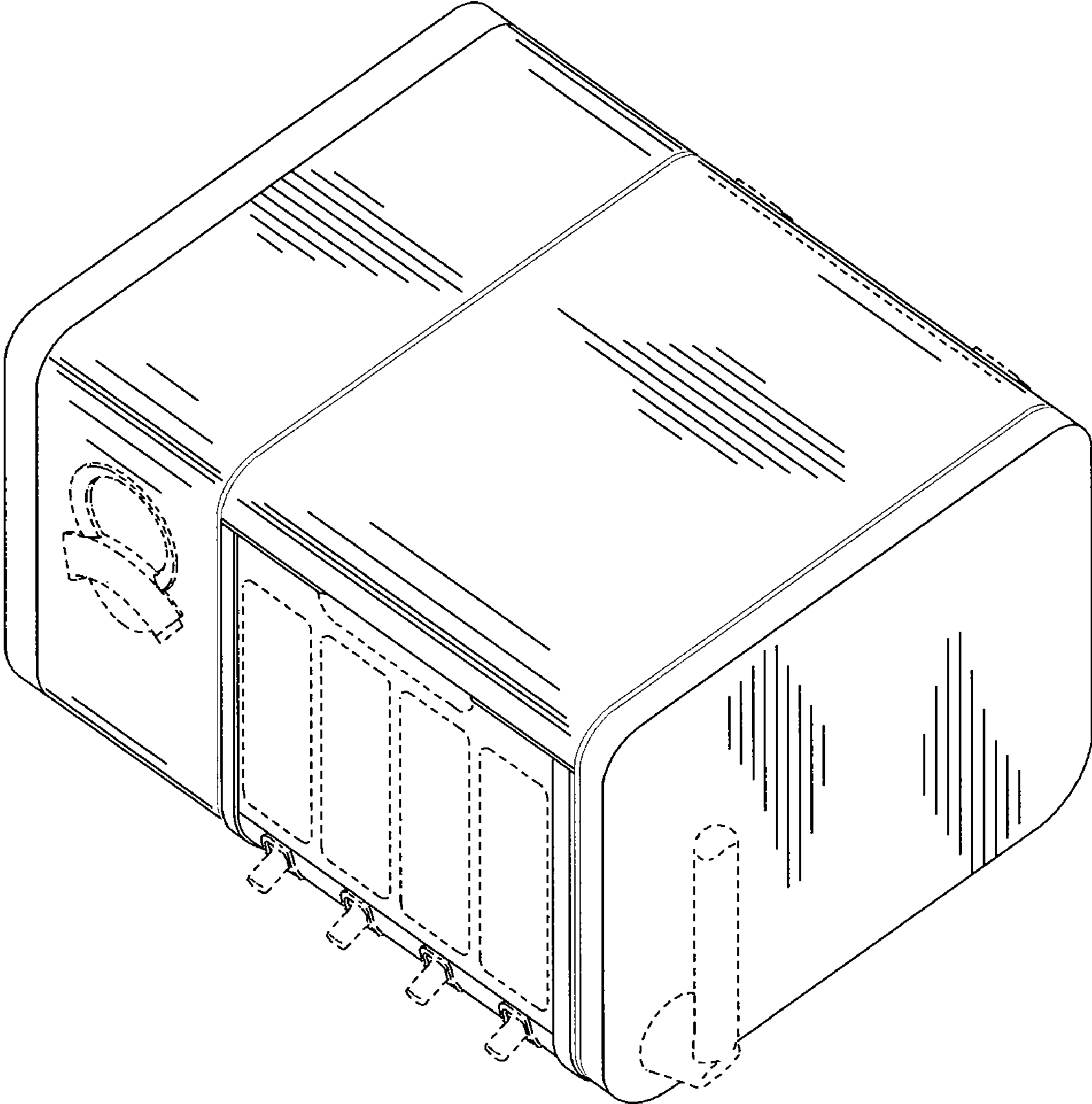


FIG 1

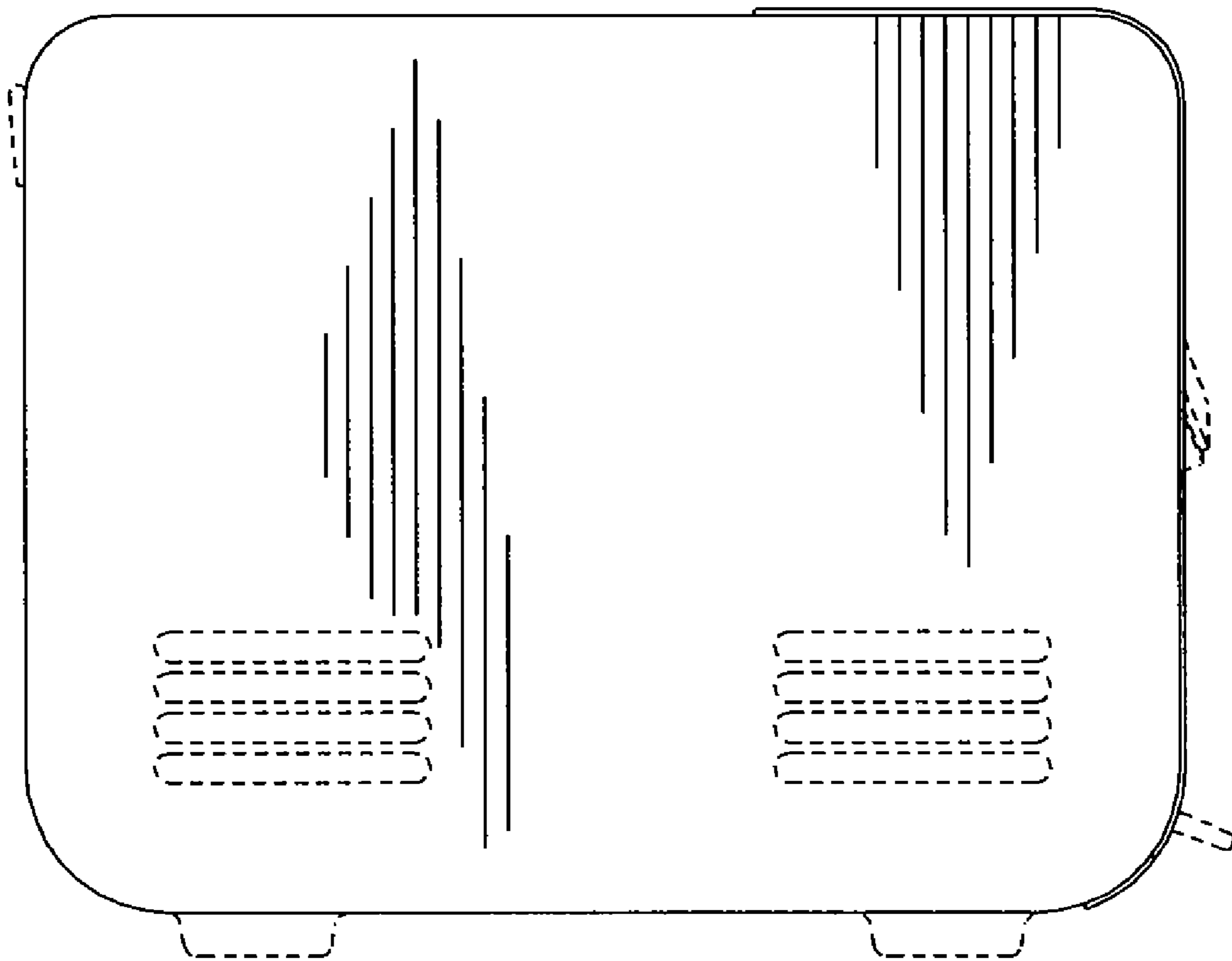


FIG 2

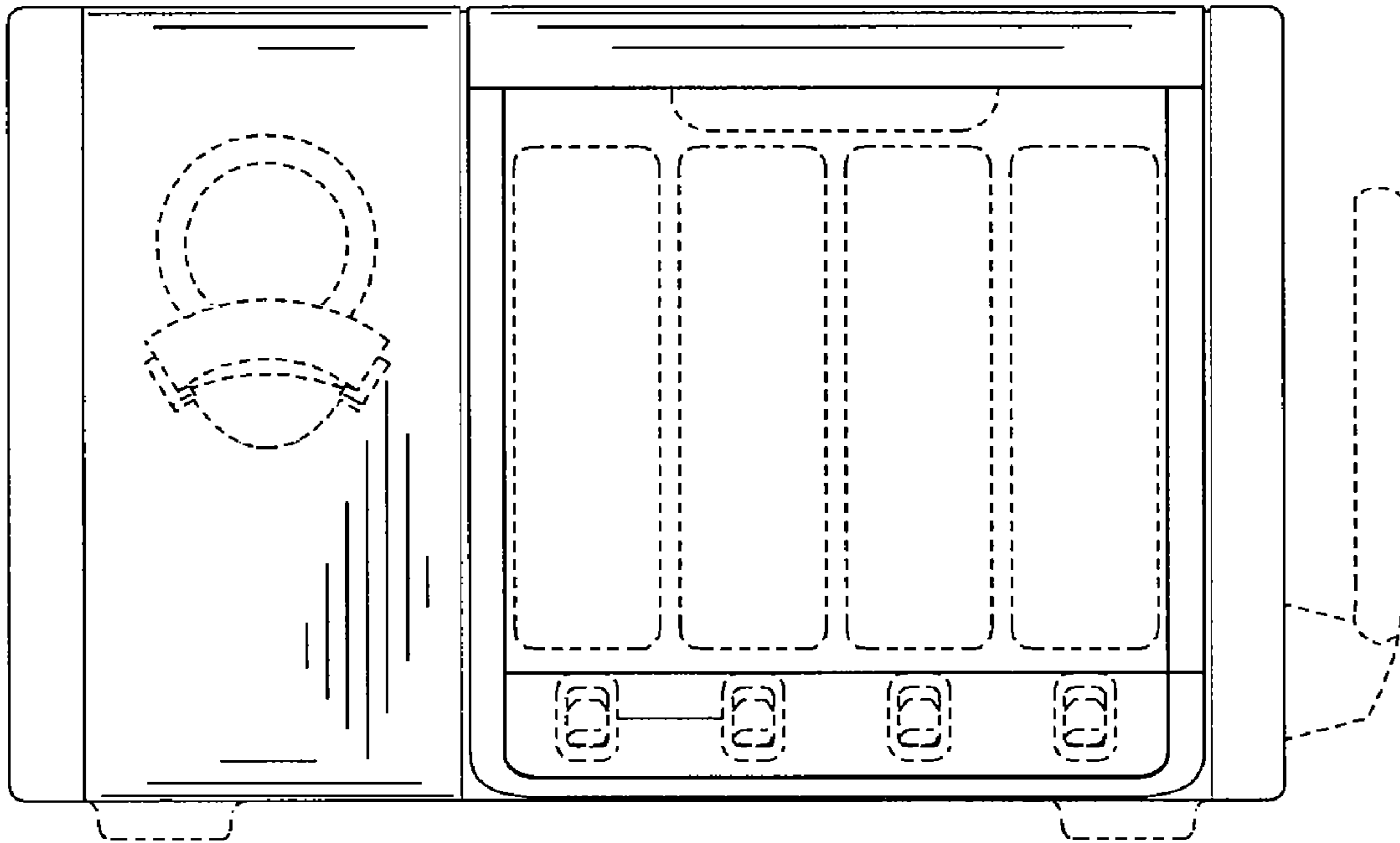


FIG 3

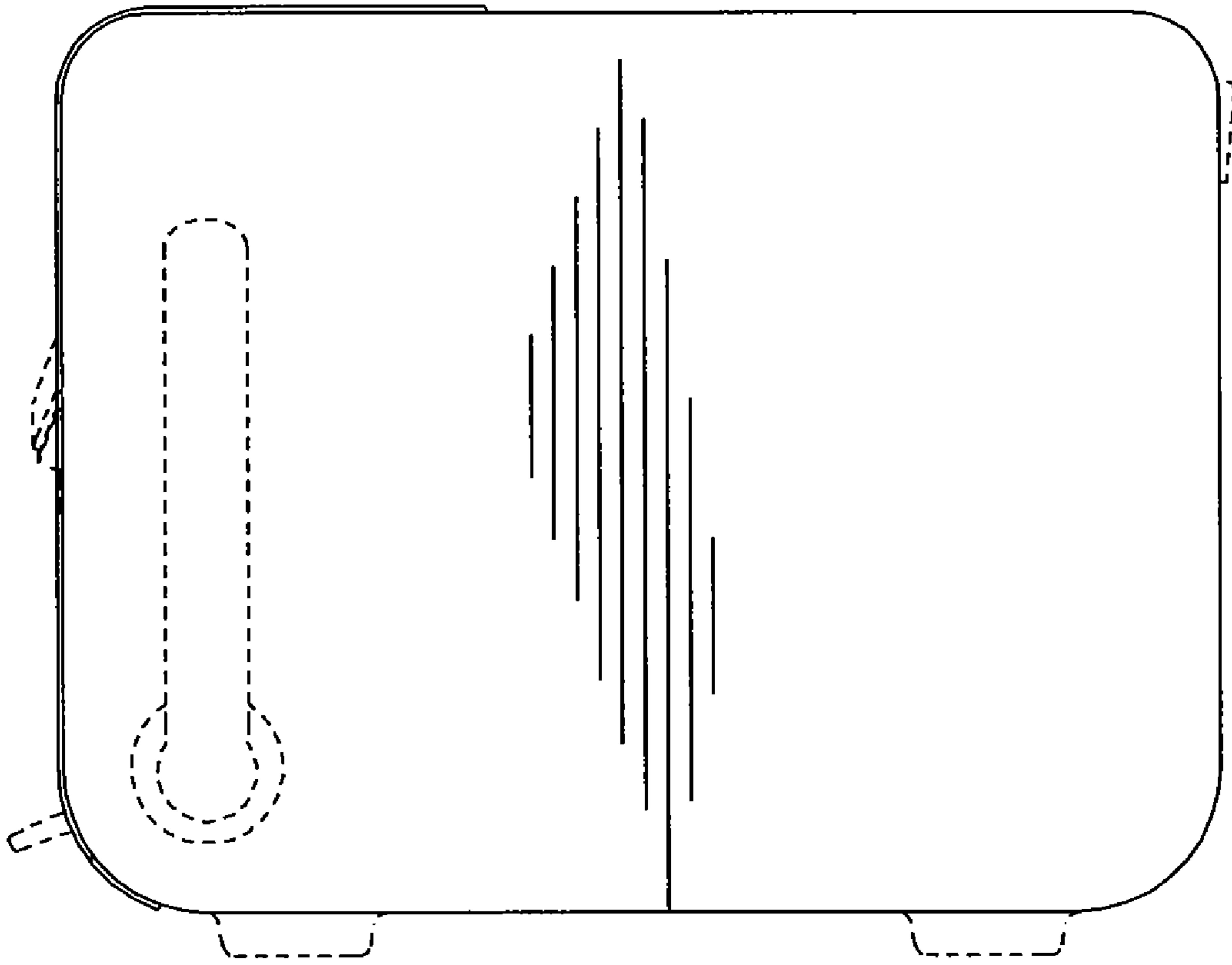


FIG 4

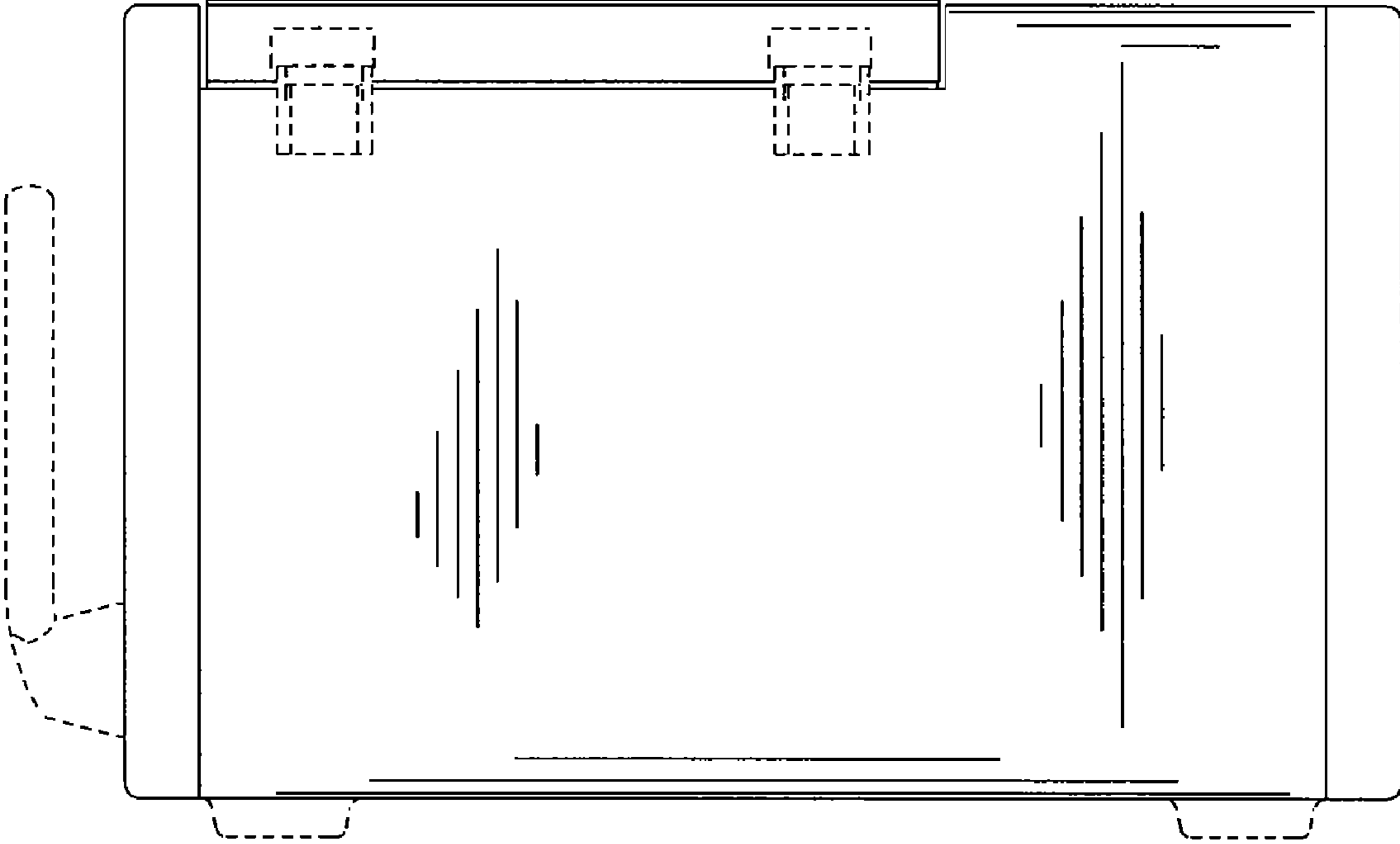


FIG 5

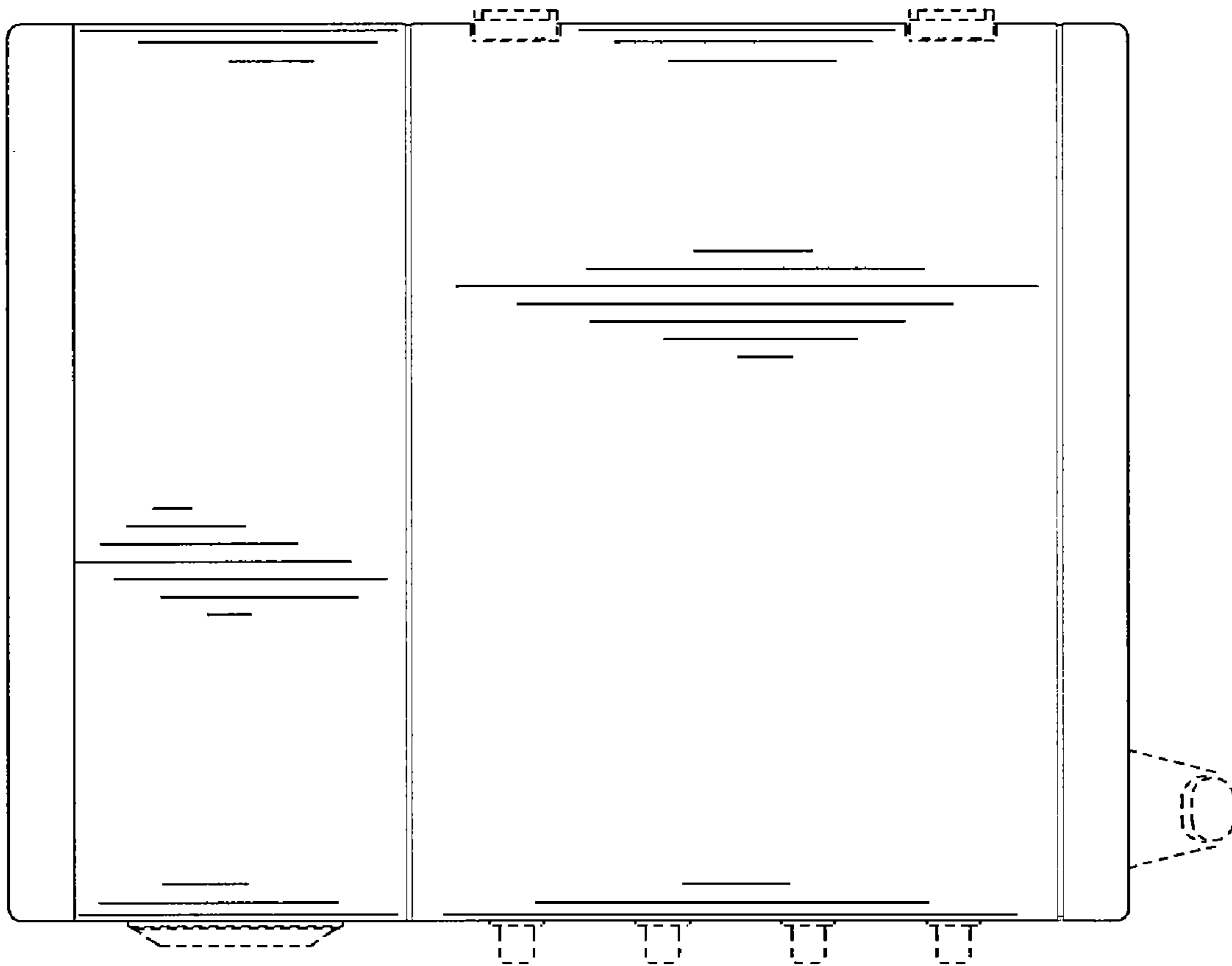


FIG 6

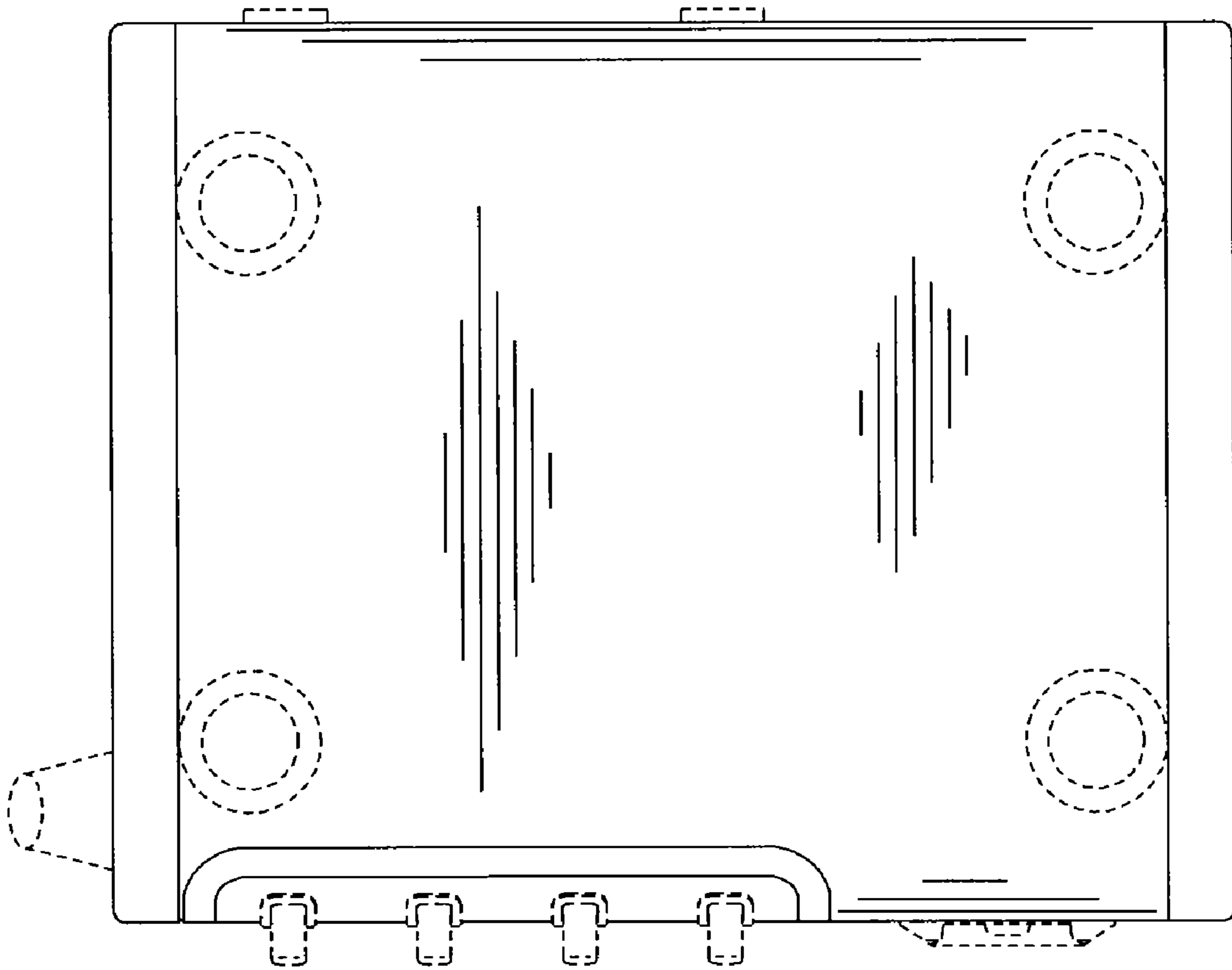


FIG 7