

US00D622533S

(12) **United States Design Patent**
Gross et al.

(10) **Patent No.:** **US D622,533 S**

(45) **Date of Patent:** **** Aug. 31, 2010**

(54) **AMPLIFIER SHAPED COFFEE MAKER**

(75) Inventors: **Charles Brian Gross**, Greeley, CO
(US); **Todd Robert Larrabee**,
Richmond, VA (US)

(73) Assignee: **Eternal East (HK) Limited**, Hong Kong
(HK)

(**) Term: **14 Years**

(21) Appl. No.: **29/356,459**

(22) Filed: **Feb. 25, 2010**

(51) **LOC (9) Cl.** **07-01**

(52) **U.S. Cl.** **D7/301; D7/309; D7/311**

(58) **Field of Classification Search** D7/300,
D7/397, 306-311, 301; 222/129.1-129.4,
222/146.6, 146.1; D14/188, 157, 169, 497,
D14/193, 168; D3/291, 294, 905; 206/372,
206/373

See application file for complete search history.

(56) **References Cited**

U.S. PATENT DOCUMENTS

2,536,123	A *	1/1951	Berry	369/12
4,340,985	A *	7/1982	Potter	5/636
5,308,156	A *	5/1994	Gutierrez	312/236
D416,557	S *	11/1999	Matsuoka	D14/168
D435,034	S *	12/2000	Tejima	D14/168
D509,209	S *	9/2005	Hibino	D14/168

D553,897	S *	10/2007	De'Longhi	D7/309
D602,729	S *	10/2009	Dahlstrom	D7/309
D606,509	S *	12/2009	Kaczynski	D14/193
D609,693	S *	2/2010	Smith	D14/188
D613,112	S *	4/2010	Lippert et al.	D7/397
D614,201	S *	4/2010	Strauser	D14/497

* cited by examiner

Primary Examiner—Marianne Pandozzi

(74) *Attorney, Agent, or Firm*—Margaret Polson; Oppedahl
Patent Law Firm LLC

(57) **CLAIM**

The ornamental design for an amplifier shaped coffee maker,
as shown and described.

DESCRIPTION

FIG. 1 is a front elevational view of a amplifier shaped coffee
maker showing our new design;

FIG. 2 is a rear elevational view thereof;

FIG. 3 is a right side elevation view of FIG. 1.

FIG. 4 is a left side elevation view of FIG. 1.

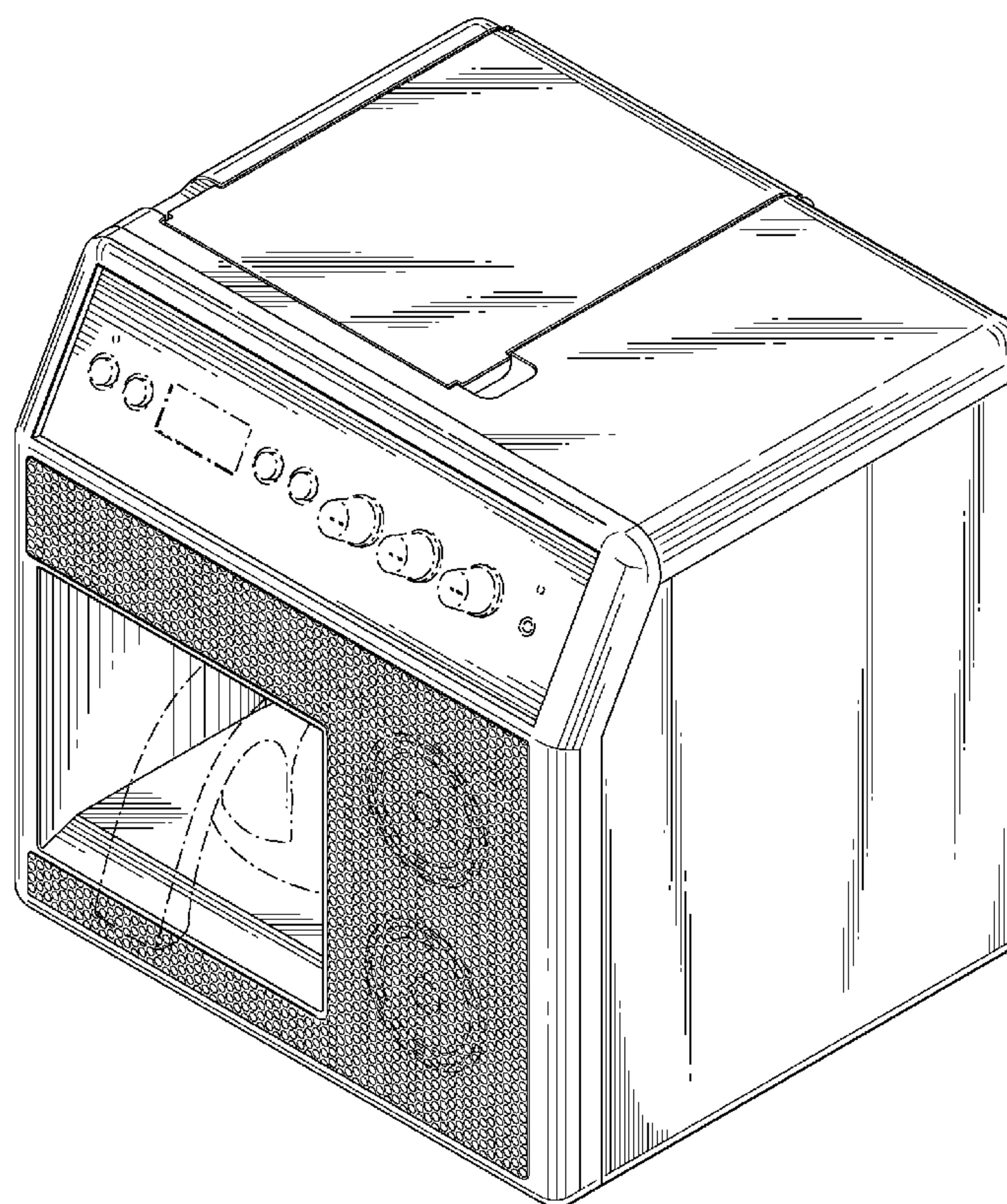
FIG. 5 is a top plan view of FIG. 1.

FIG. 6 is a bottom plan view thereof; and,

FIG. 7 is a top perspective view thereof.

The broken lines in the drawings are included for the purpose
of illustration and form no part of the claimed design.

1 Claim, 4 Drawing Sheets



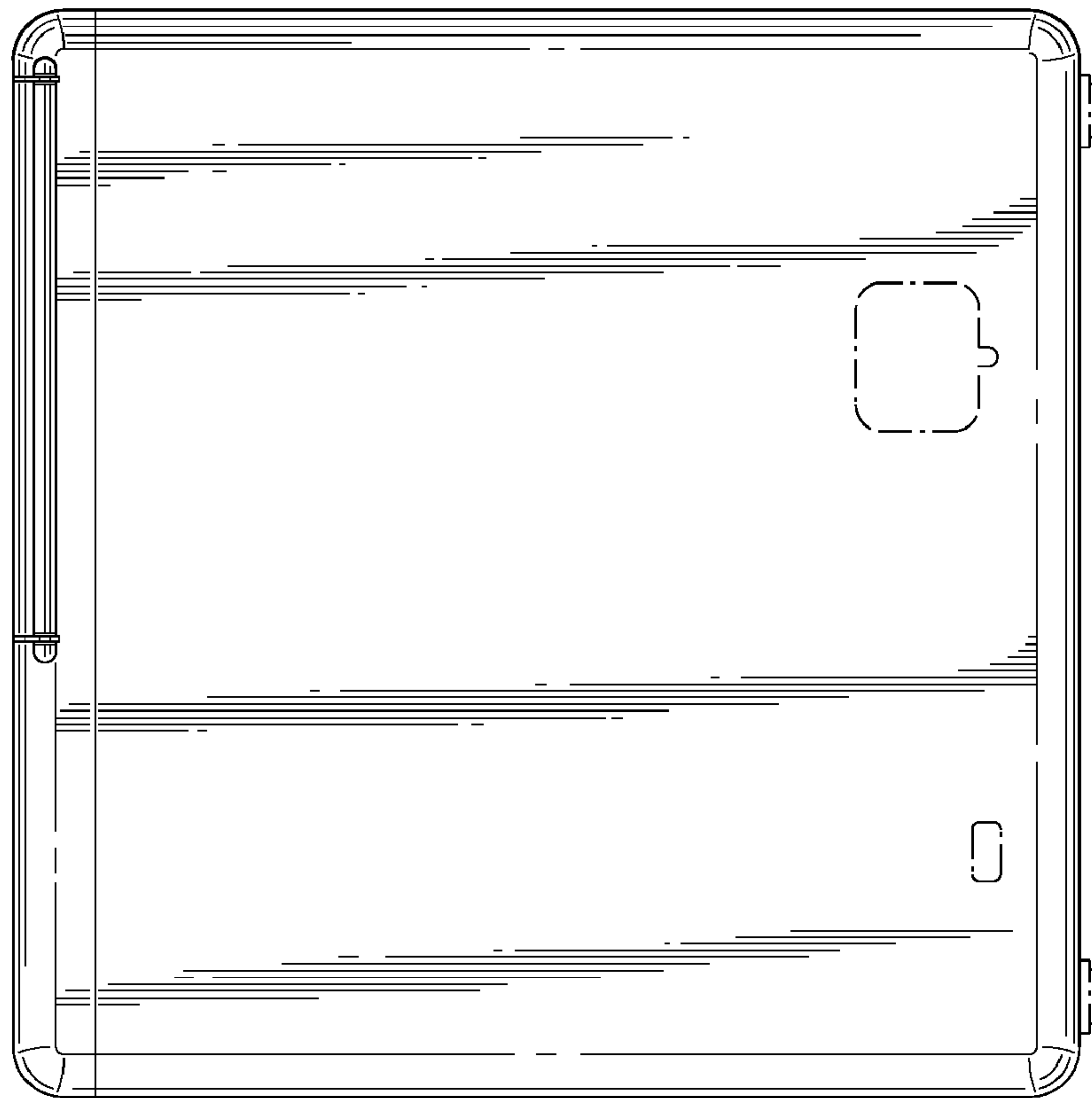


FIG. 2

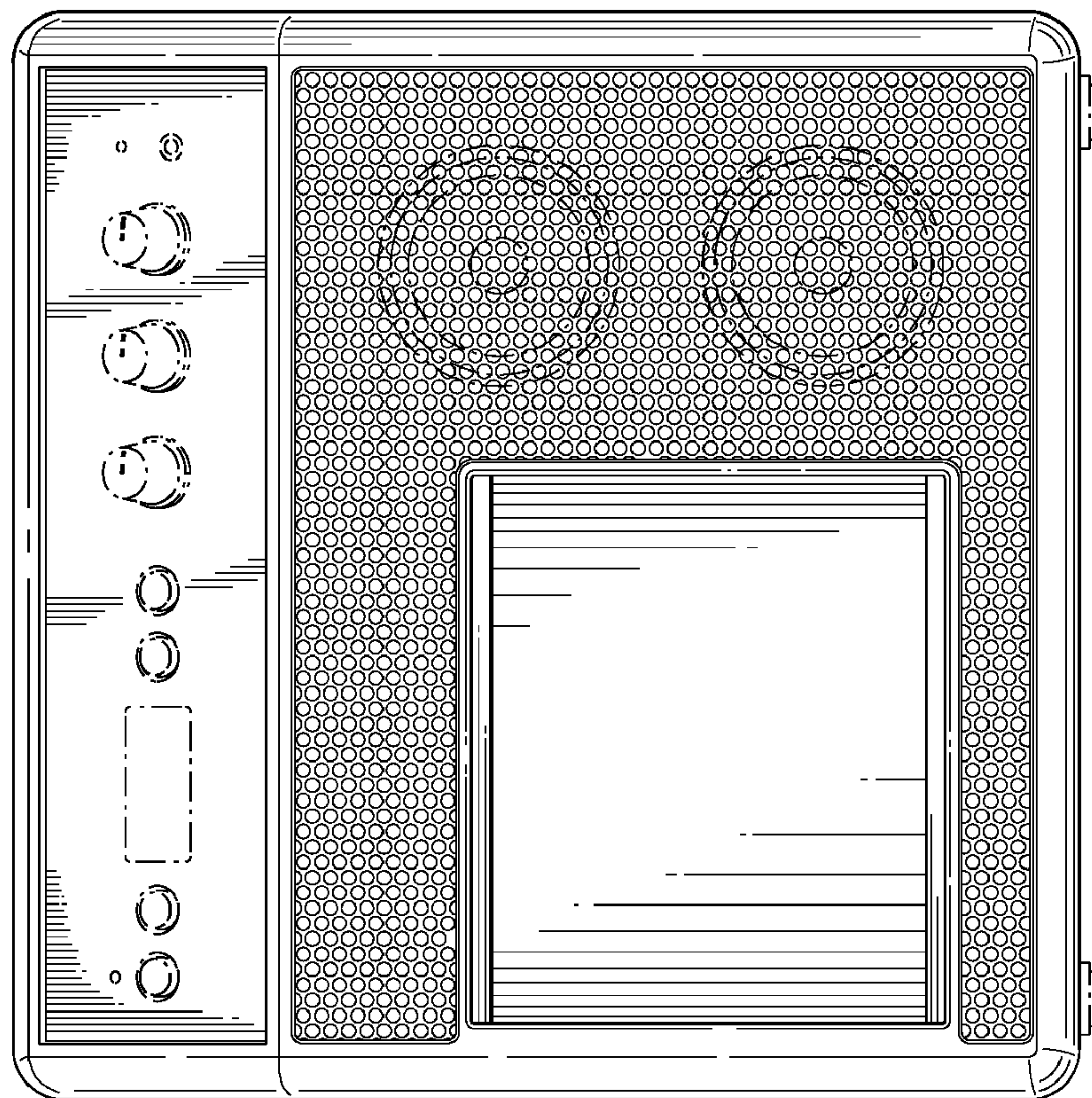


FIG. 1

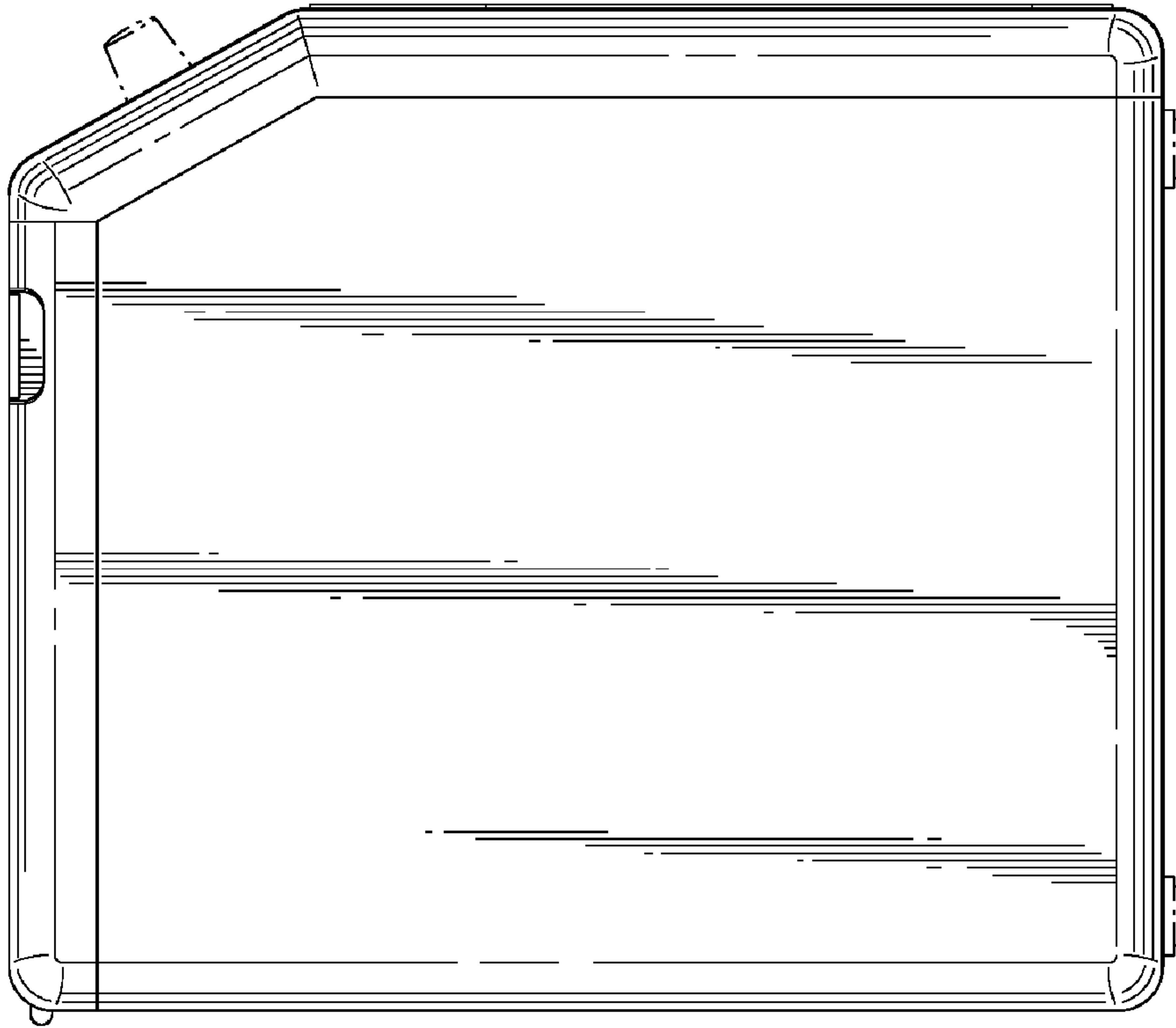


FIG.4

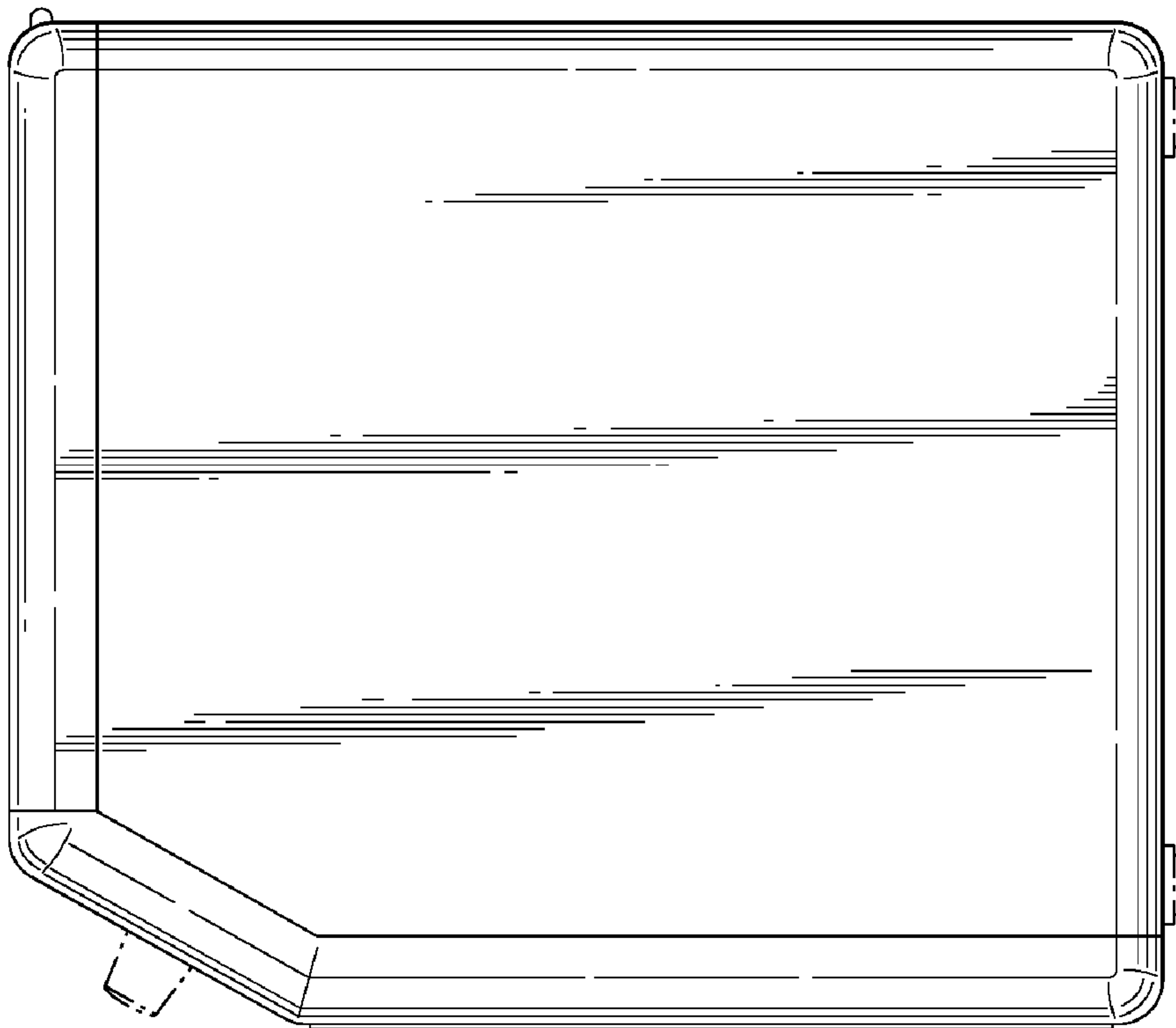


FIG.3

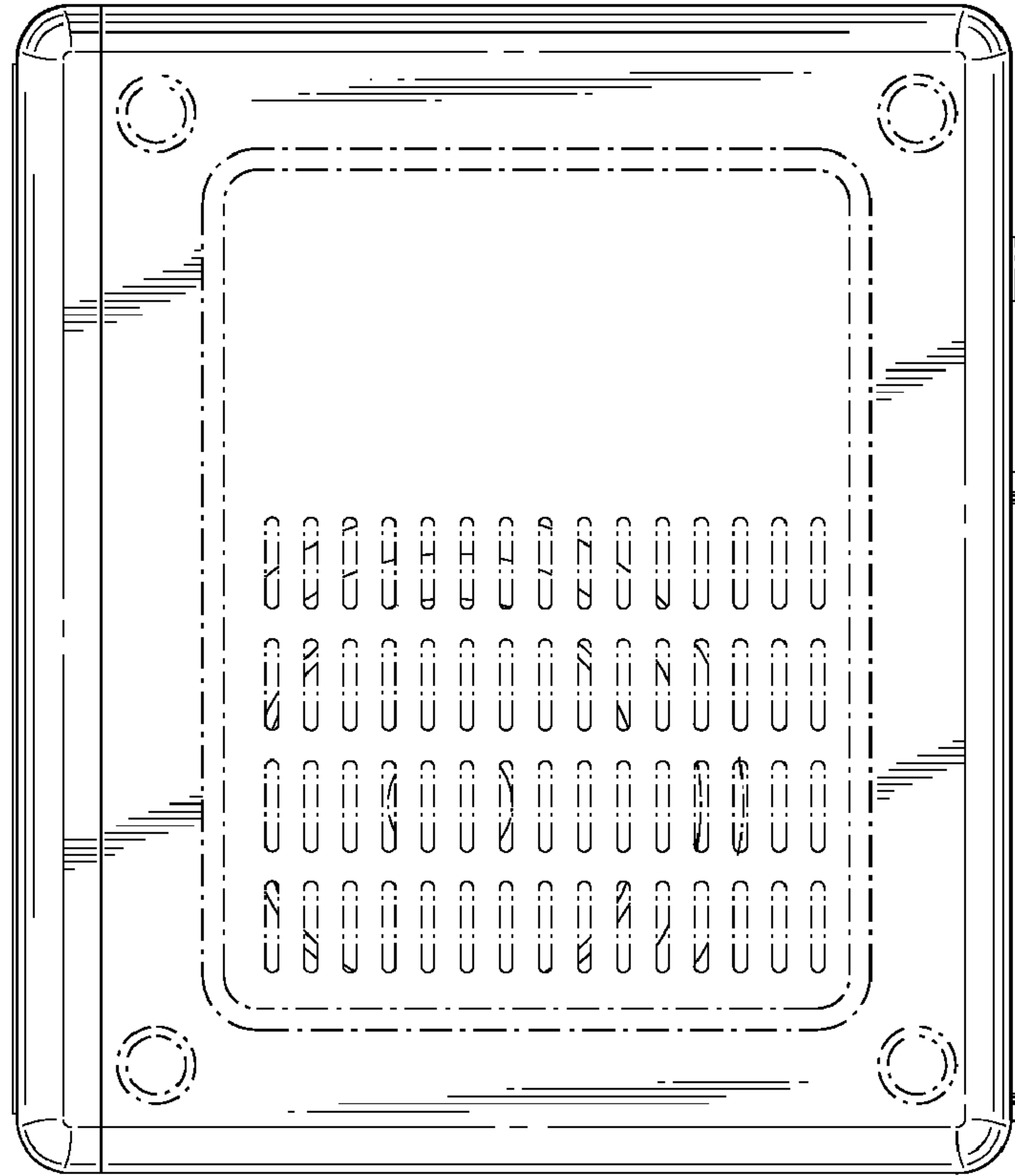


FIG. 6

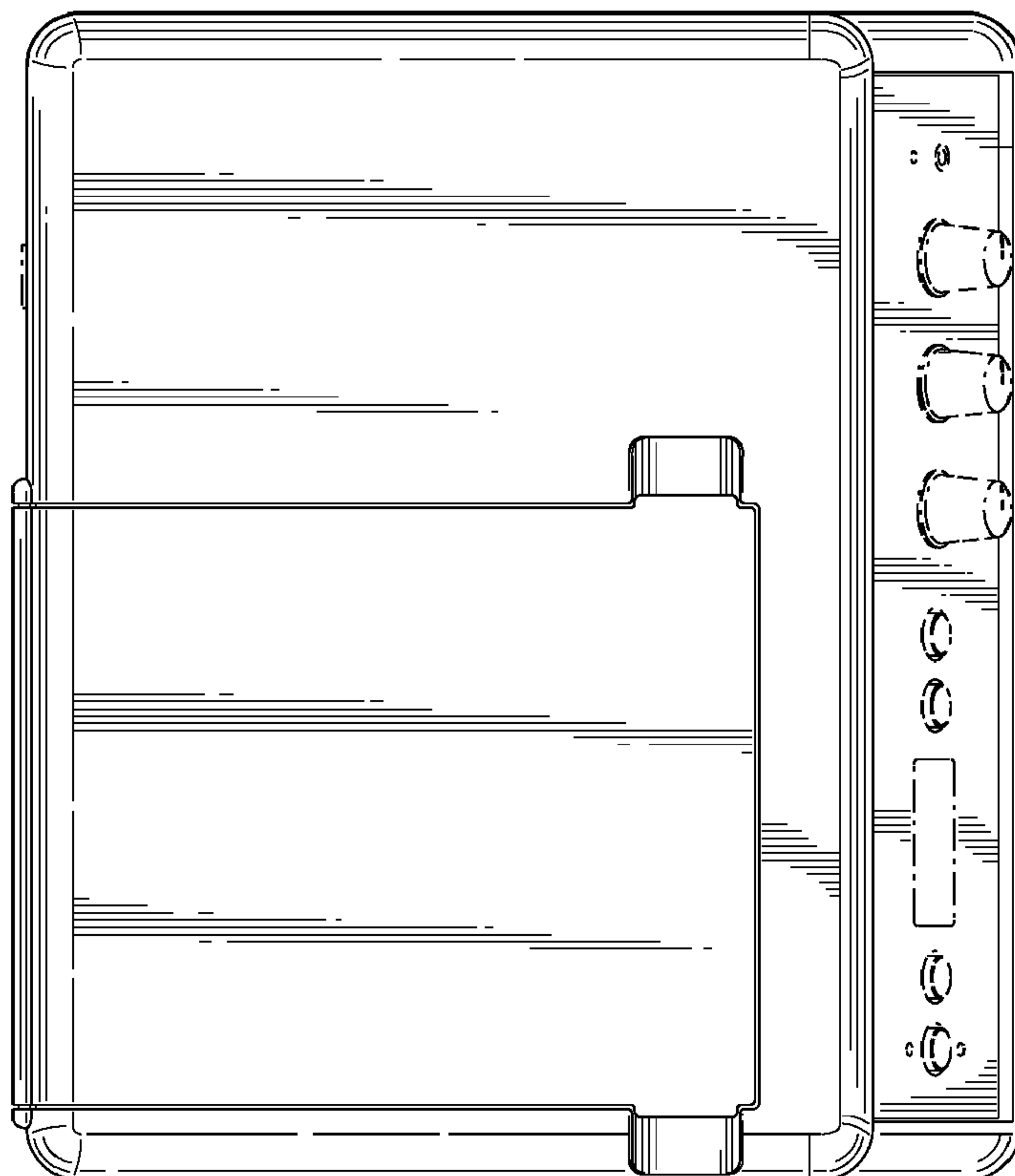


FIG. 5

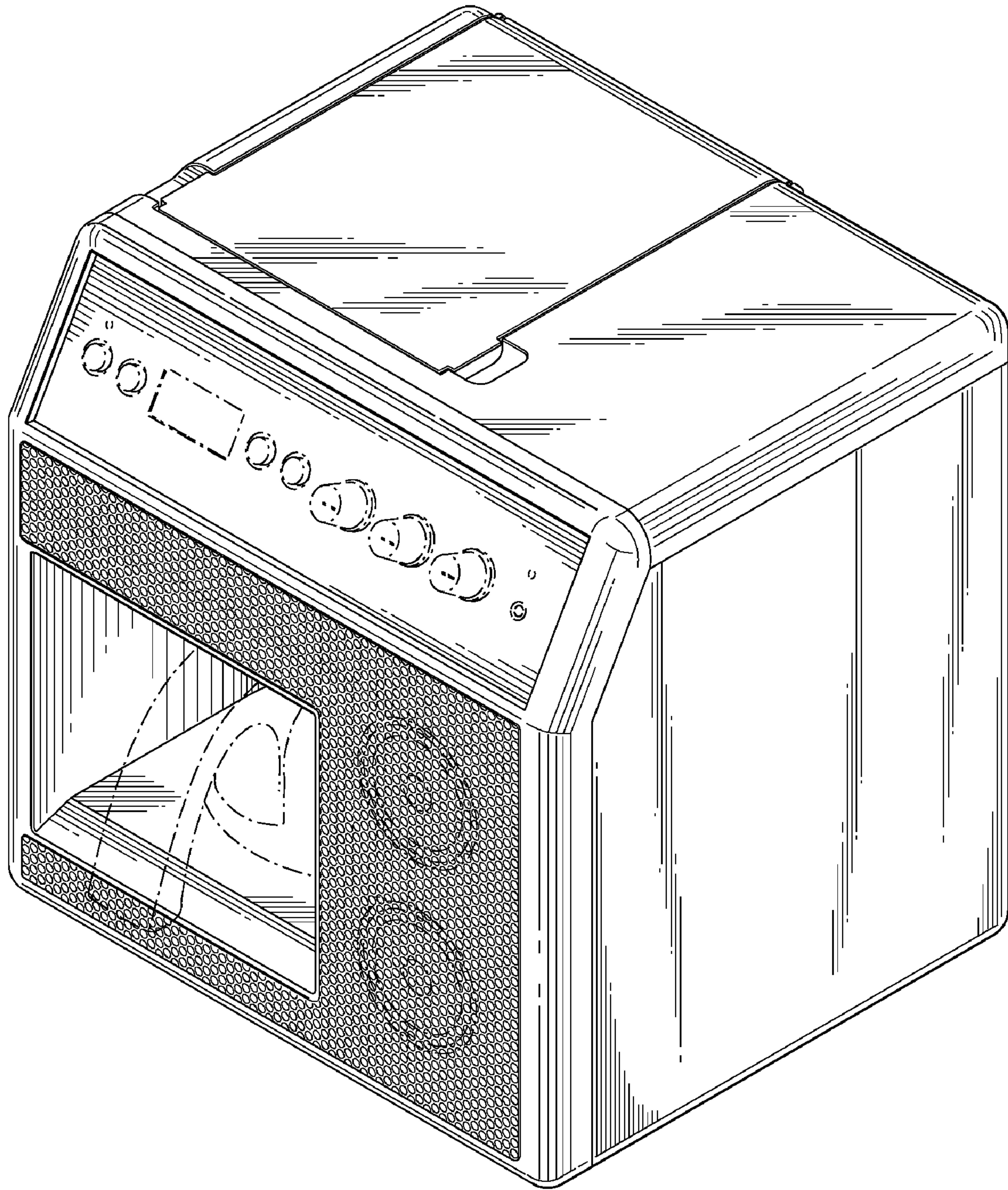


FIG.7