



US00D622532S

(12) **United States Design Patent**  
**Moore**

(10) **Patent No.:** **US D622,532 S**

(45) **Date of Patent:** **\*\* Aug. 31, 2010**

(54) **STORAGE TRAY FOR MULTIMEDIA ITEMS**

(75) Inventor: **Ryan Christopher Moore**, Seattle, WA  
(US)

(73) Assignee: **Slam Brands, Inc.**, Redmond, WA (US)

(\*\*) Term: **14 Years**

(21) Appl. No.: **29/362,105**

(22) Filed: **May 20, 2010**

(51) **LOC (9) Cl.** ..... **06-04**

(52) **U.S. Cl.** ..... **D6/629**

(58) **Field of Classification Search** ..... D6/407,  
D6/510, 465, 457, 467, 464, 449, 396-397,  
D6/491, 629, 475; D19/75, 77, 91-92, 95,  
D19/99-100; 206/373, 562-563, 214, 371;  
211/69.1, 69.9, 10-11, 13.1, 40, 41.12

See application file for complete search history.

(56) **References Cited**

U.S. PATENT DOCUMENTS

D308,699 S *	6/1990	Ancona et al.	.....	D19/75
D328,099 S *	7/1992	Williams	.....	D19/75
D330,219 S *	10/1992	Carlson et al.	.....	D19/77
D354,310 S *	1/1995	Crist et al.	.....	D19/75
D404,603 S *	1/1999	Smith	.....	D6/629
D404,956 S *	2/1999	Cheris et al.	.....	D6/629
D414,808 S *	10/1999	Hunt	.....	D19/75
D439,113 S *	3/2001	Claffy et al.	.....	D7/553.1
D503,574 S *	4/2005	Yao	.....	D6/510
D525,308 S *	7/2006	Lara	.....	D19/92
D538,537 S *	3/2007	Osborn	.....	D3/313
D554,900 S *	11/2007	Hussaini et al.	.....	D6/467
D579,698 S *	11/2008	Nielsen	.....	D6/510
D581,186 S *	11/2008	Nielsen	.....	D6/457

D583,599 S *	12/2008	Nielsen	.....	D6/510
D584,083 S *	1/2009	Nielsen	.....	D6/510
D585,683 S *	2/2009	Nielsen	.....	D6/510
D586,596 S *	2/2009	Nielsen	.....	D6/510
D596,886 S *	7/2009	Nielsen	.....	D6/510
D604,072 S *	11/2009	Nielsen	.....	D6/510
2003/0006156 A1 *	1/2003	McCracken et al.	.....	206/373

\* cited by examiner

*Primary Examiner*—Elizabeth A Albert

*Assistant Examiner*—Kelley A Donnelly

(74) *Attorney, Agent, or Firm*—Turocy & Watson, LLP;  
Thomas E. Watson

(57) **CLAIM**

An ornamental design for the storage tray for multimedia items, as described and shown.

**DESCRIPTION**

FIG. 1 is a first perspective view of a design for the storage tray for multimedia items;

FIG. 2 is a second perspective view of the design therefor;

FIG. 3 is a top plan view of the design therefor;

FIG. 4 is a bottom plan view of the design therefor;

FIG. 5 is a first side view of the design therefor;

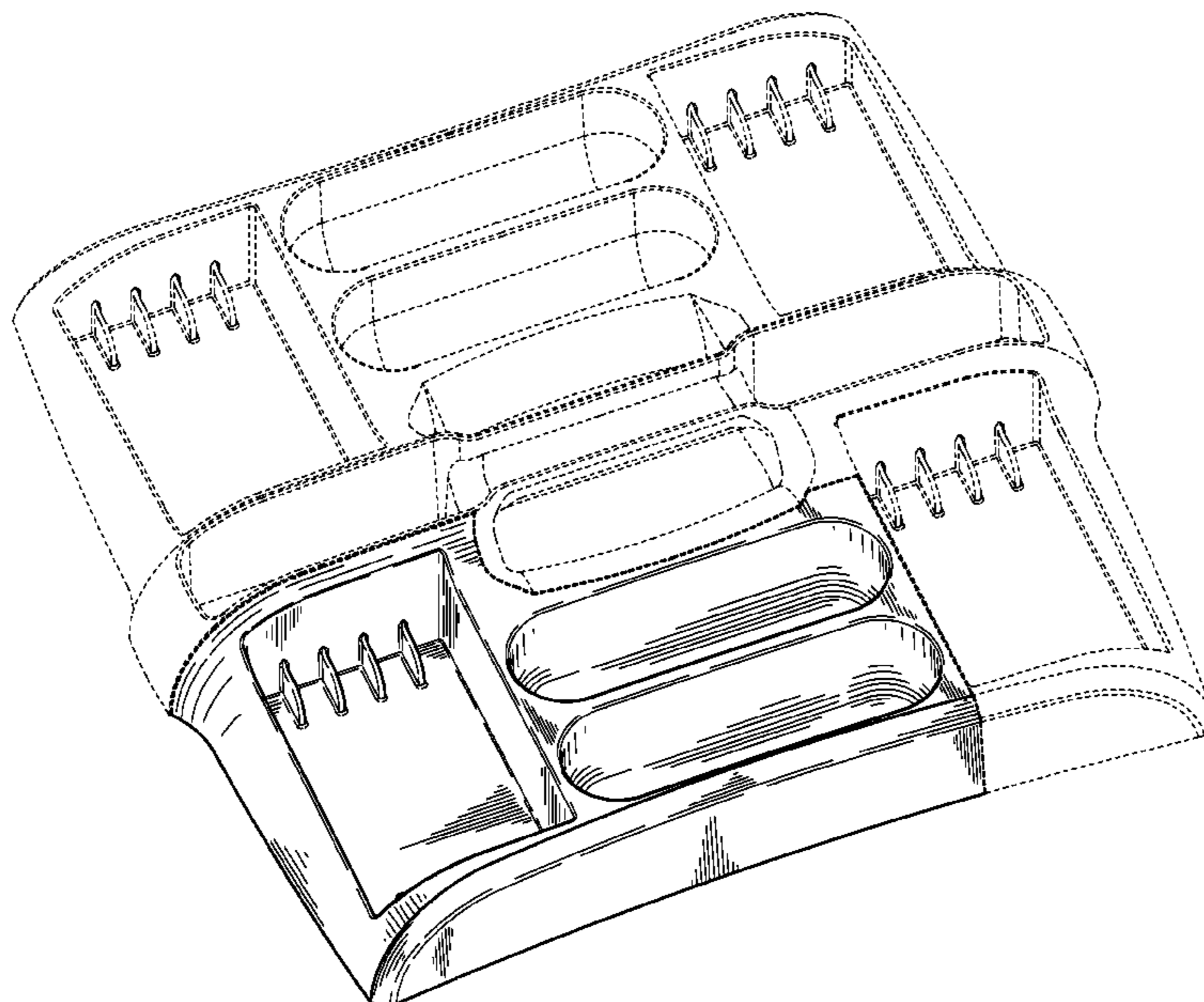
FIG. 6 is a second side view of the design therefor, opposite the first side view;

FIG. 7 is a first end view of the design therefor; and,

FIG. 8 is a second end view of the design therefor, opposite the first end view.

The dashed lines in the drawings are shown for environmental purposes and form no part of the claimed design.

**1 Claim, 6 Drawing Sheets**



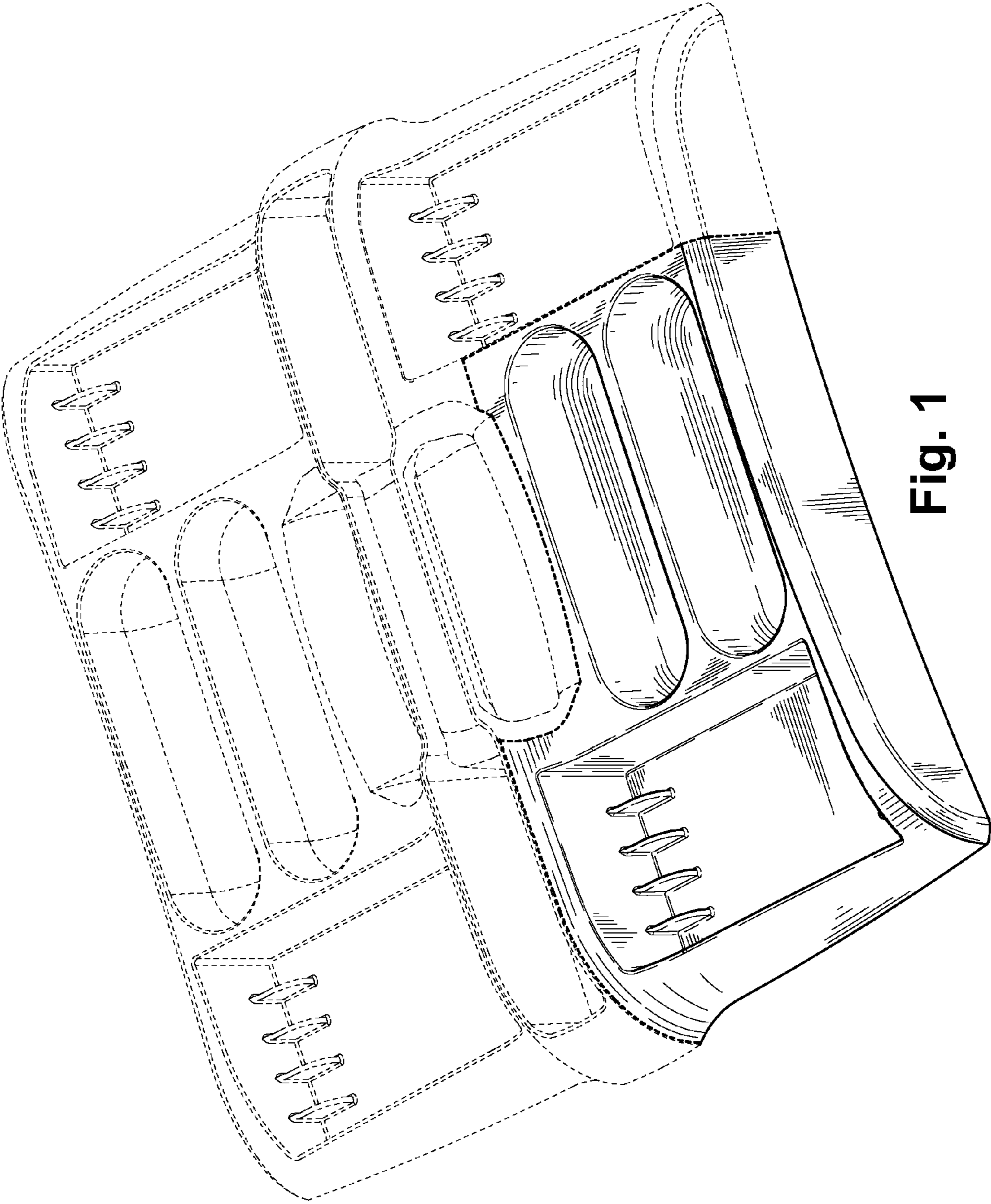


Fig. 1

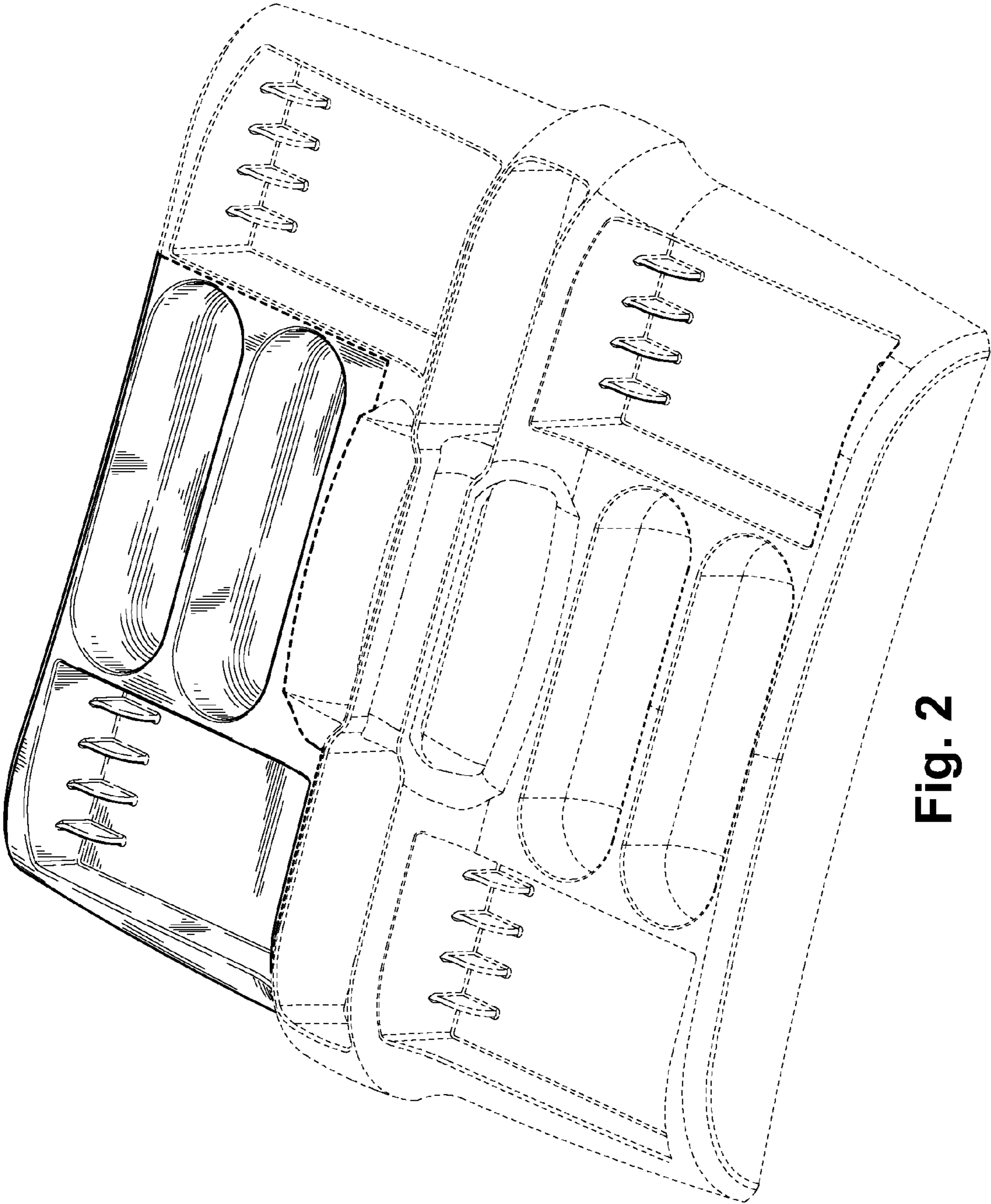


Fig. 2

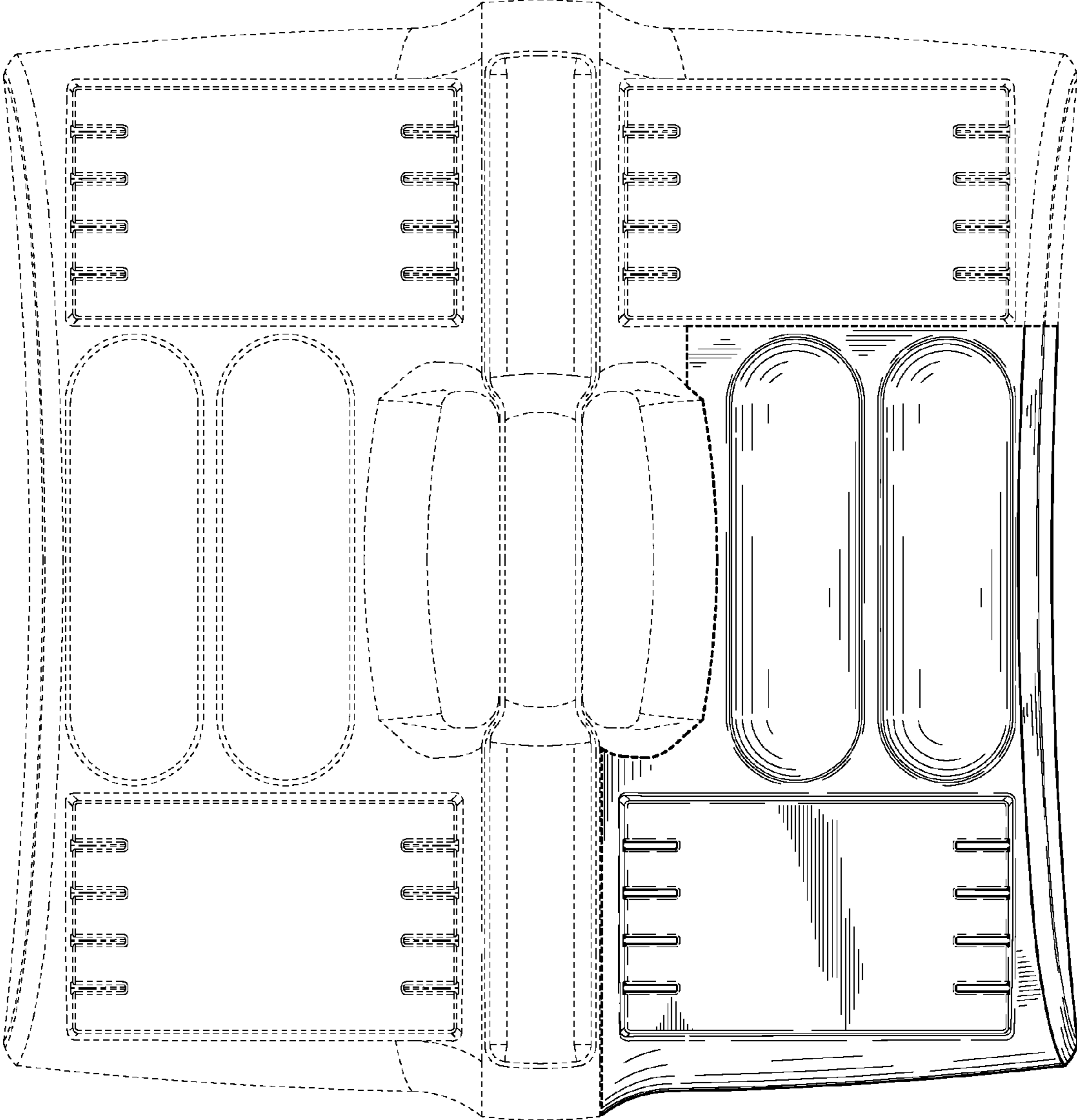


Fig. 3

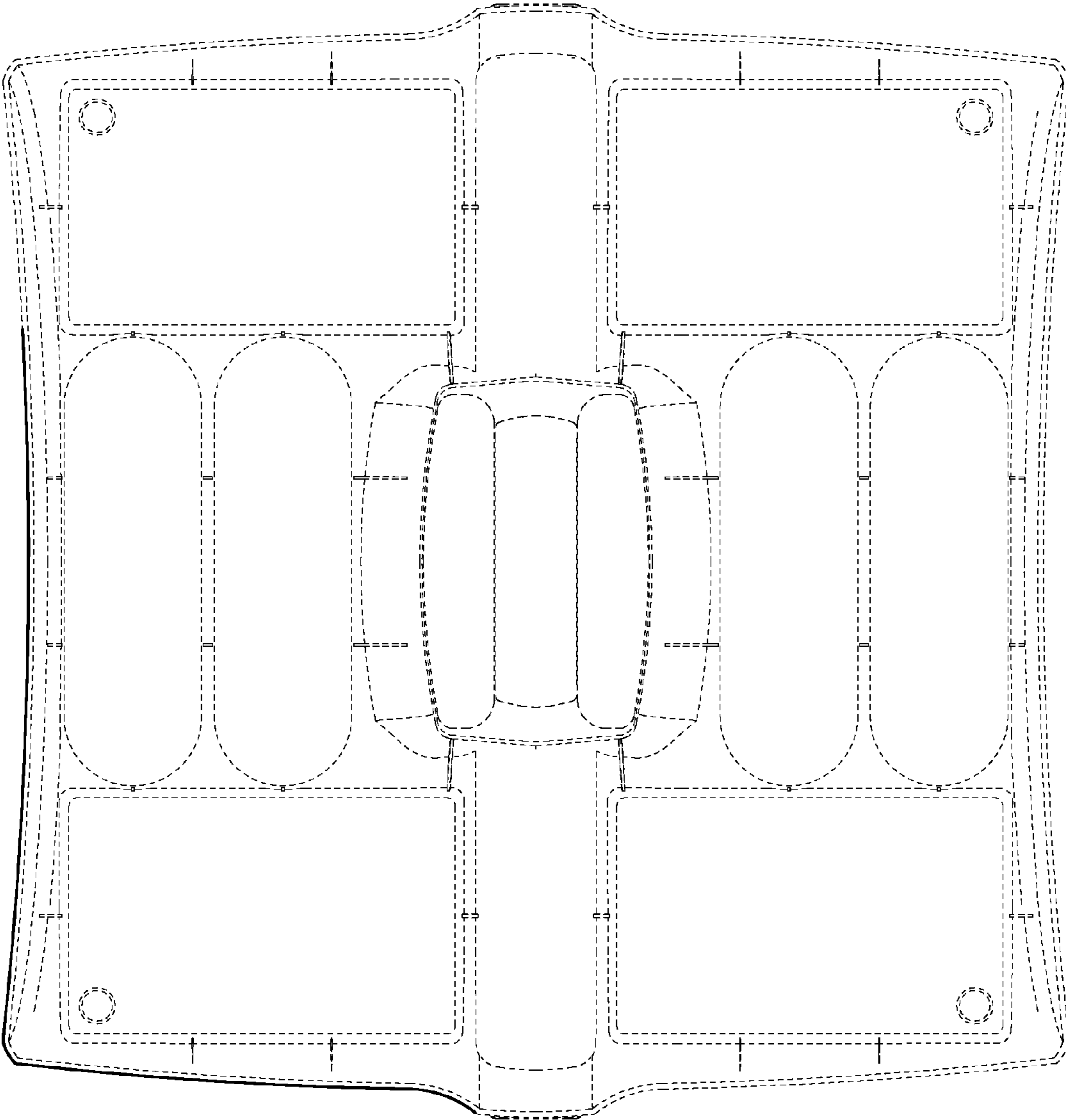
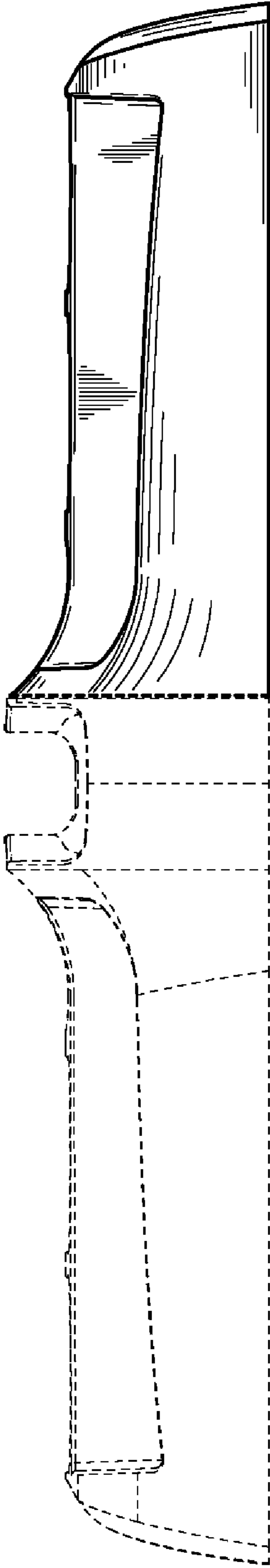
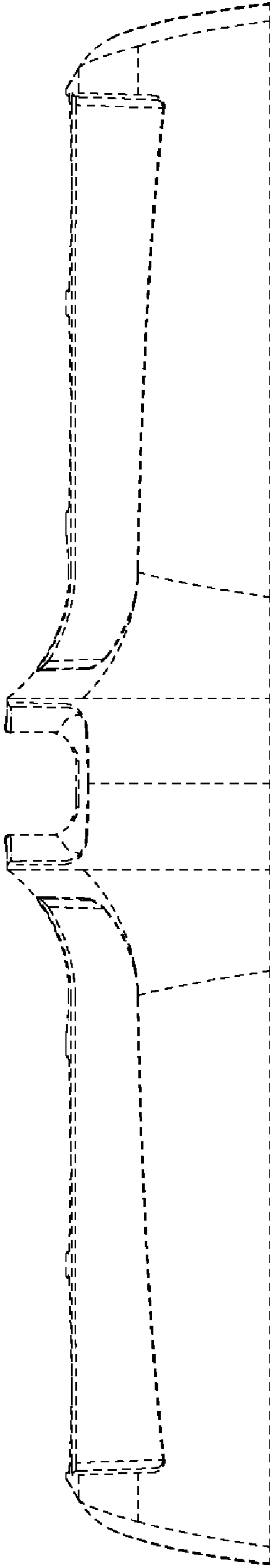


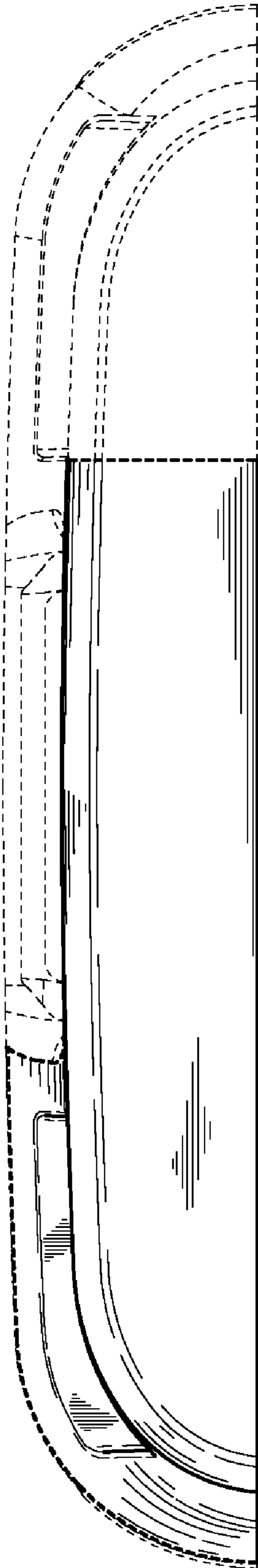
Fig. 4



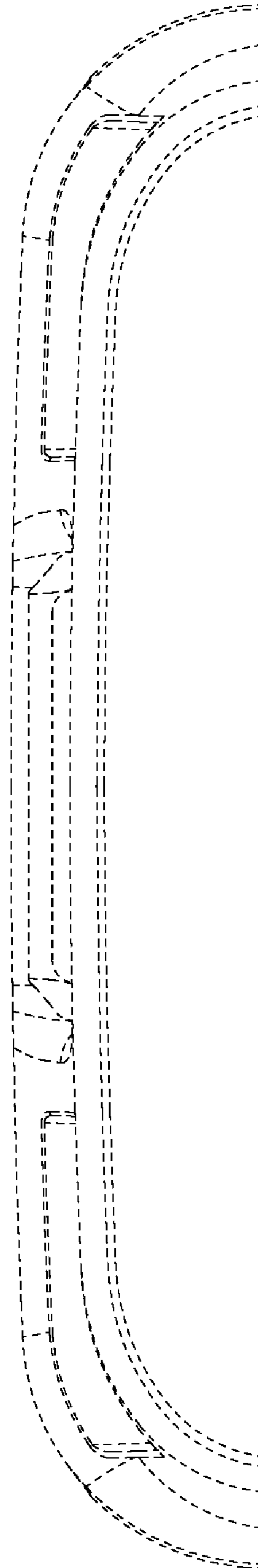
**Fig. 5**



**Fig. 6**



**Fig. 7**



**Fig. 8**