



US00D622525S

(12) **United States Design Patent**  
**Lombardo**

(10) **Patent No.:** **US D622,525 S**

(45) **Date of Patent:** **\*\* Aug. 31, 2010**

(54) **ROLL DISPENSER**

D576,434 S \* 9/2008 Wolfson et al. .... D6/520

(76) Inventor: **Ross A. Lombardo**, 353 E. 72nd St.,  
Apt. 1B, New York, NY (US) 10021

\* cited by examiner

*Primary Examiner*—Brian N Vinson

(\*\*) Term: **14 Years**

(57) **CLAIM**

(21) Appl. No.: **29/348,457**

The ornamental design for a roll dispenser, as shown and described.

(22) Filed: **Jan. 7, 2010**

(51) **LOC (9) Cl.** ..... **20-02**

(52) **U.S. Cl.** ..... **D6/520**

(58) **Field of Classification Search** ..... D6/515–523;  
206/389; 242/560, 570, 590, 598; 221/282–283;  
248/34.8

See application file for complete search history.

**DESCRIPTION**

FIG. 1 is a top and front perspective view of a roll dispenser according to my new design;

FIG. 2 is a front elevational view of the roll dispenser of FIG. 1;

FIG. 3 is a rear elevational view of the roll dispenser of FIG. 1;

FIG. 4 is a side view of the roll dispenser of FIG. 1, to which an opposite side view is substantially identical;

FIG. 5 is a top plan view of the roll dispenser of FIG. 1; and, FIG. 6 is a bottom plan view of the roll dispenser of FIG. 1.

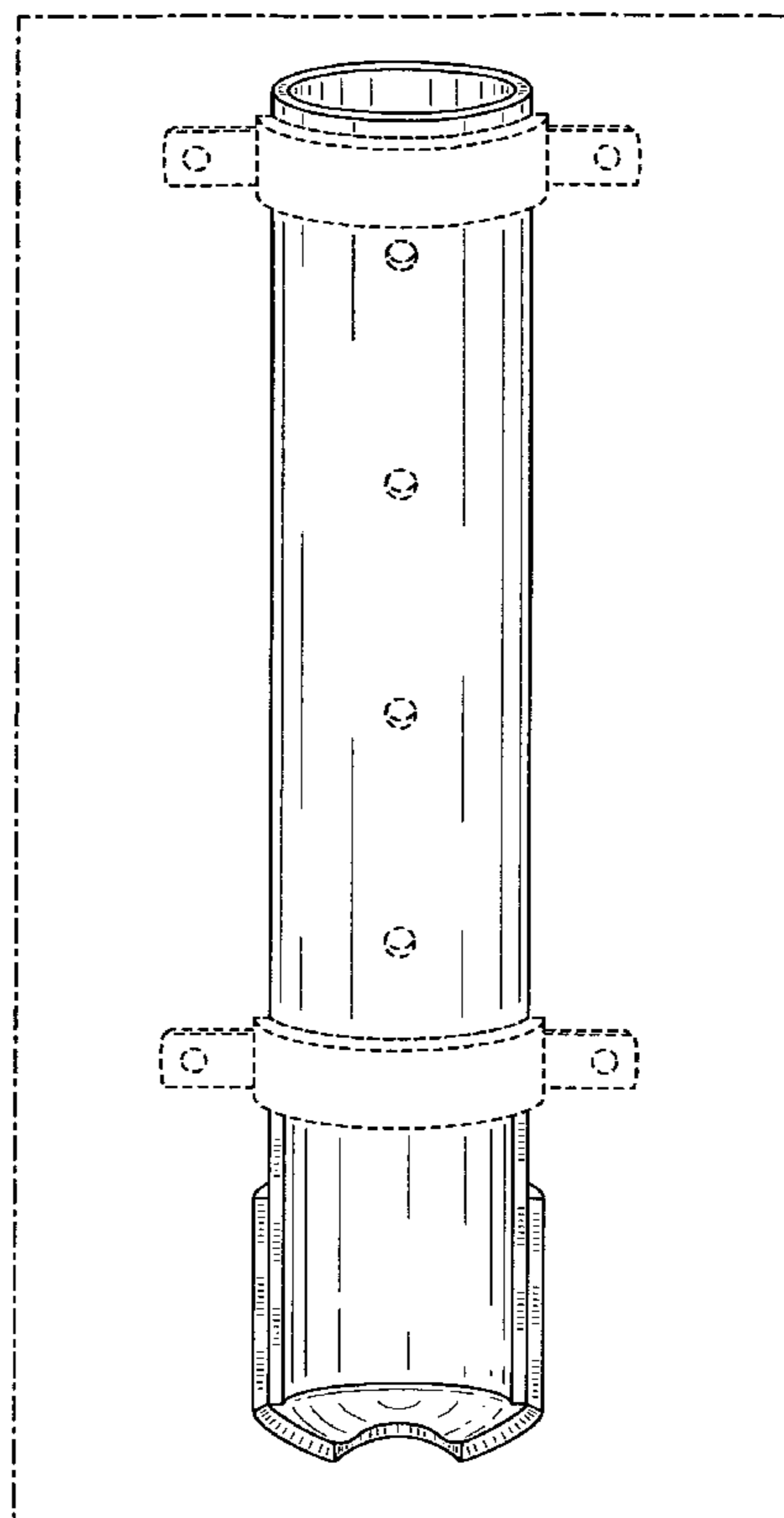
The broken-line disclosure of a wall-fragment is understood to be for illustrative purposes only and forms no part of the claimed design, while the remaining broken-line disclosure is understood to comprise part of the article in which the claimed design is embodied, but which forms no part of the claimed design.

(56) **References Cited**

**U.S. PATENT DOCUMENTS**

2,592,346	A	4/1952	Scogin	
3,019,997	A	2/1962	Wooster	
3,150,808	A	9/1964	Vensel	
3,275,133	A	9/1966	Wood	
3,754,719	A	8/1973	Choy	
D394,967	S *	6/1998	Alexander	..... D6/520
D419,012	S *	1/2000	Wiggins, Jr.	..... D6/520
D495,177	S	8/2004	Wolpert et al.	
D527,936	S *	9/2006	Sirkis	..... D6/520
D546,605	S *	7/2007	Wolfson	..... D6/520
D551,000	S *	9/2007	Romano	..... D6/520
D552,902	S *	10/2007	Sadeh et al.	..... D6/520

**1 Claim, 4 Drawing Sheets**



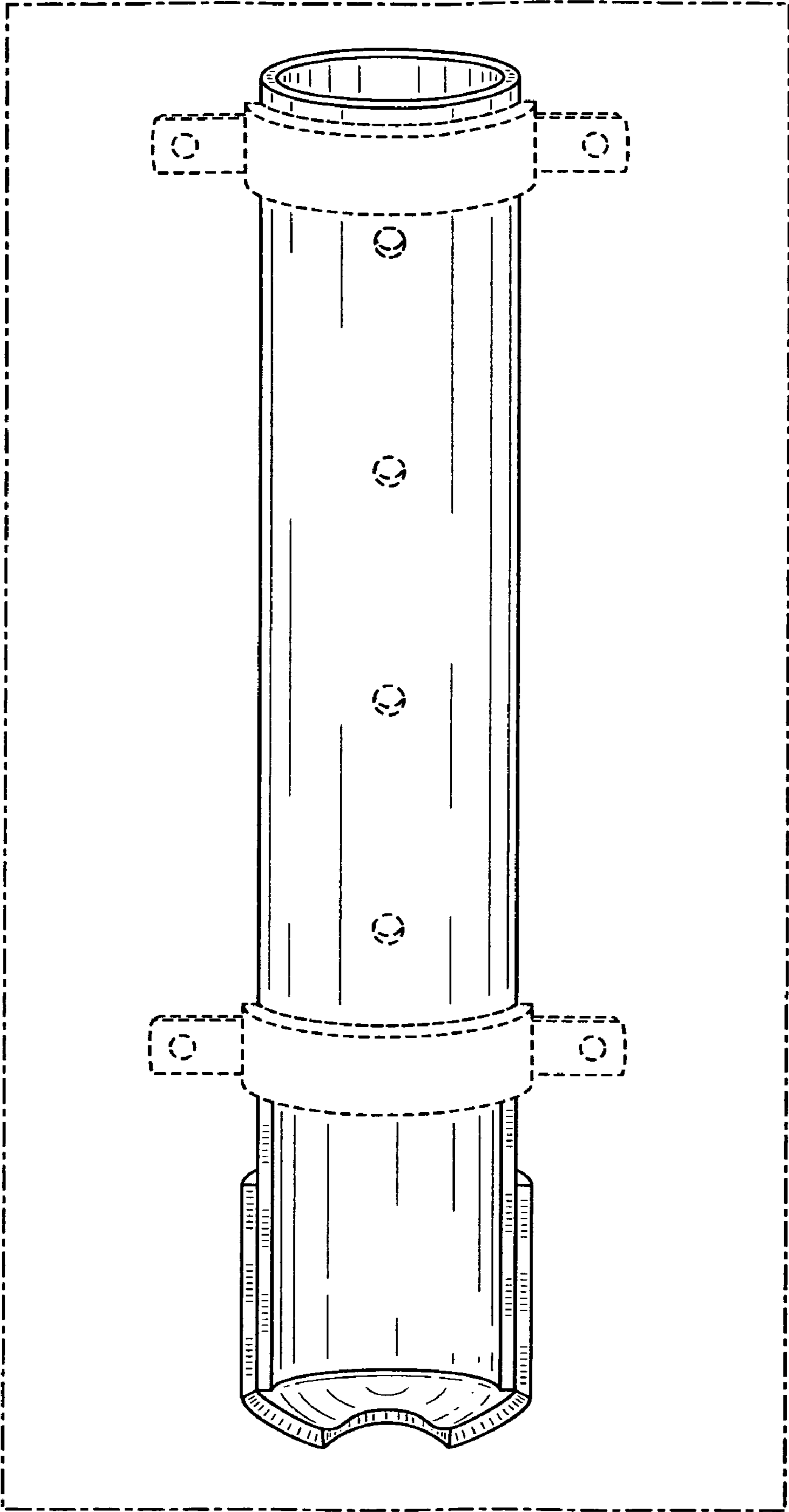


FIG. 1

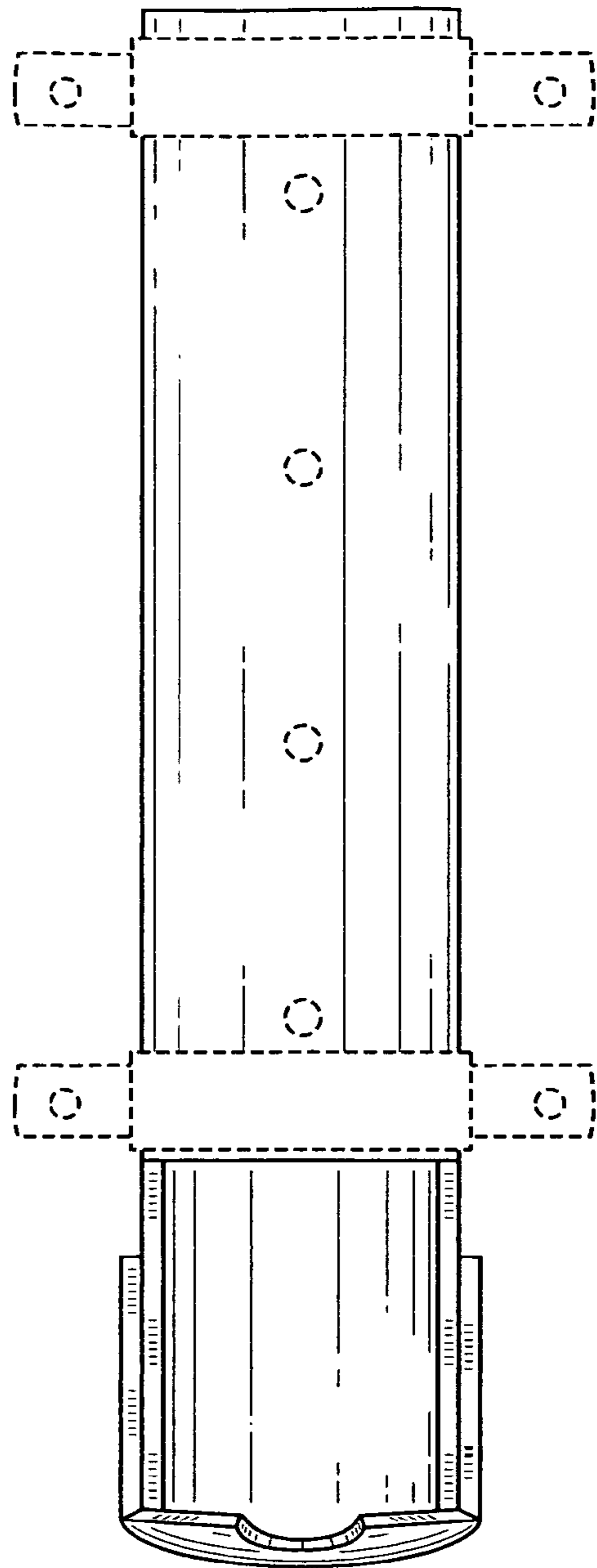


FIG. 2

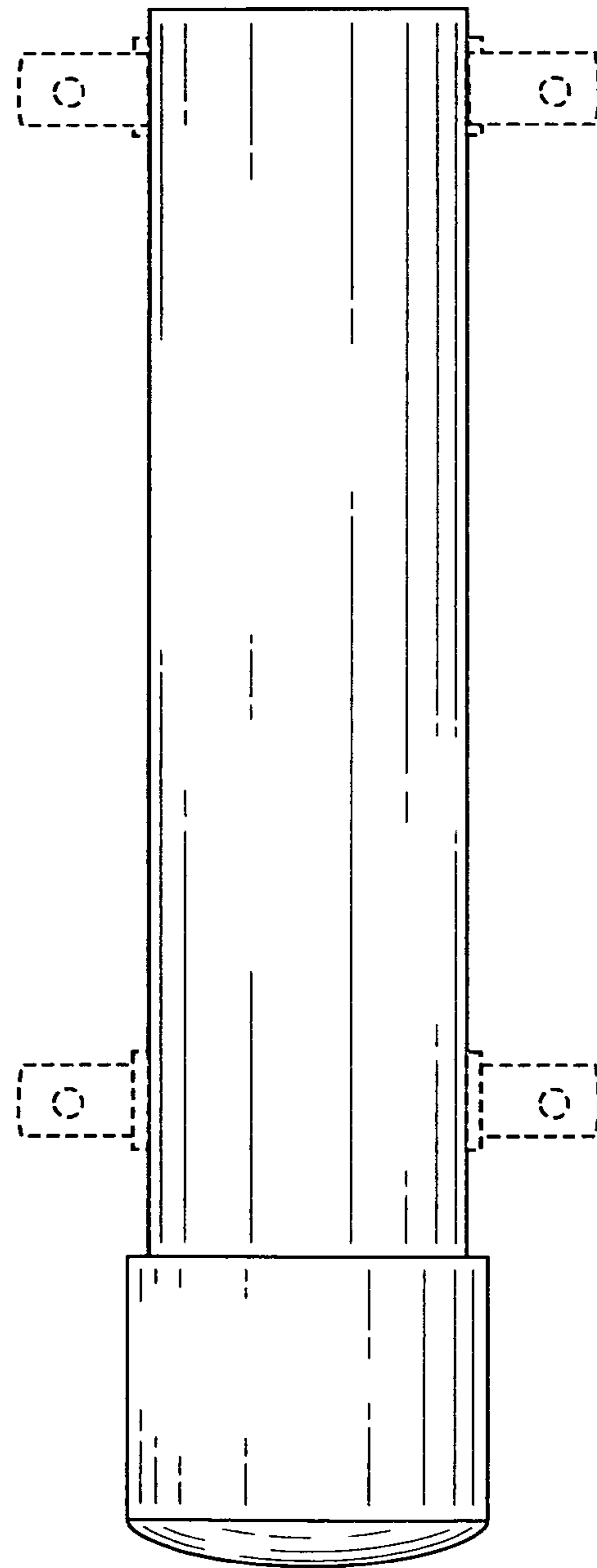


FIG. 3

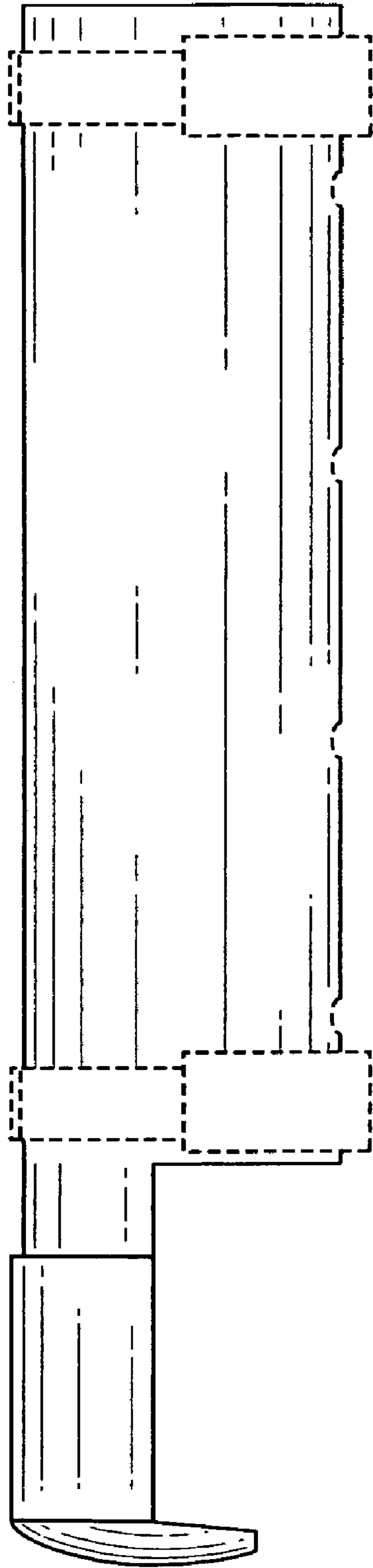


FIG. 4

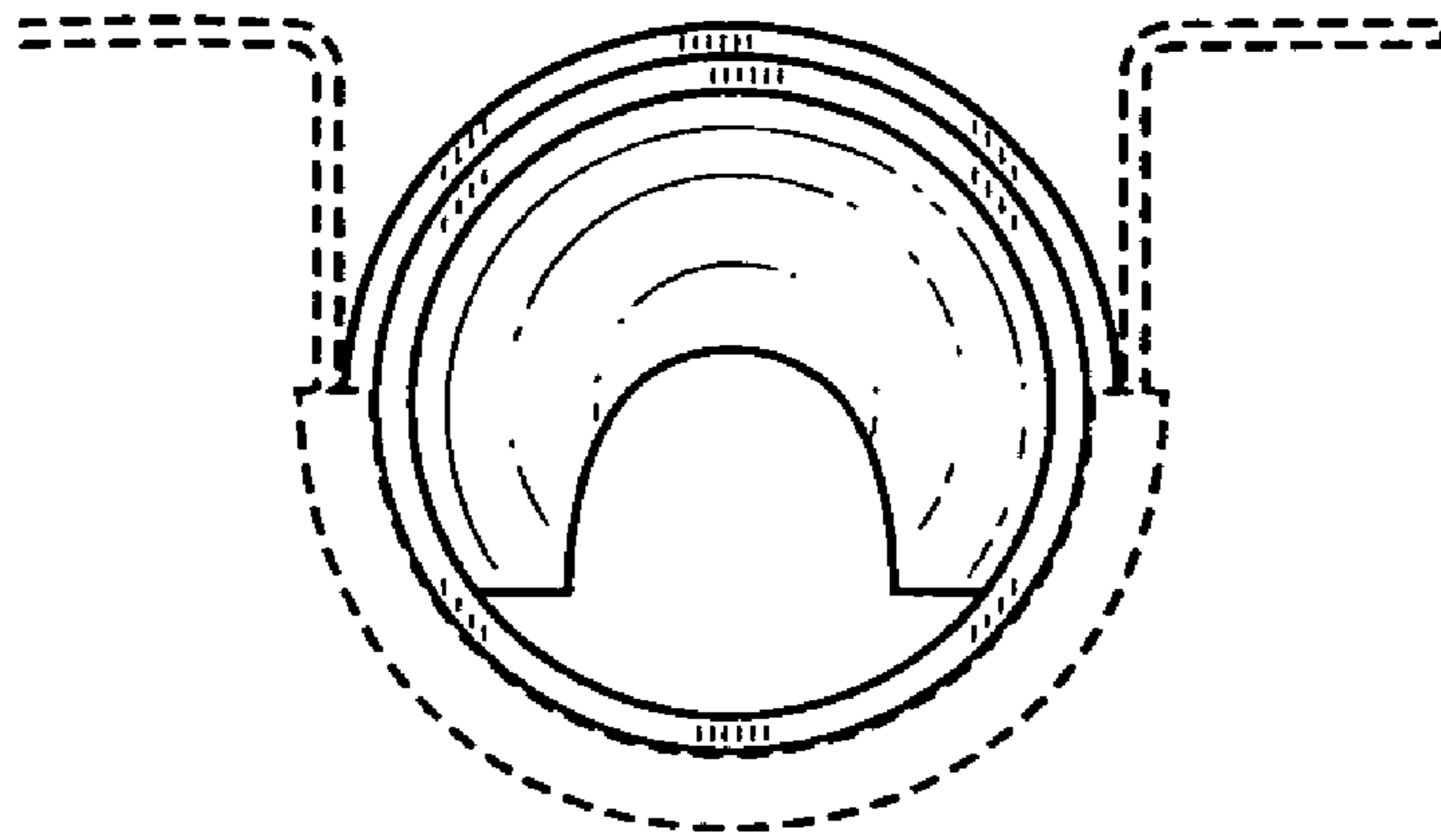


FIG. 5

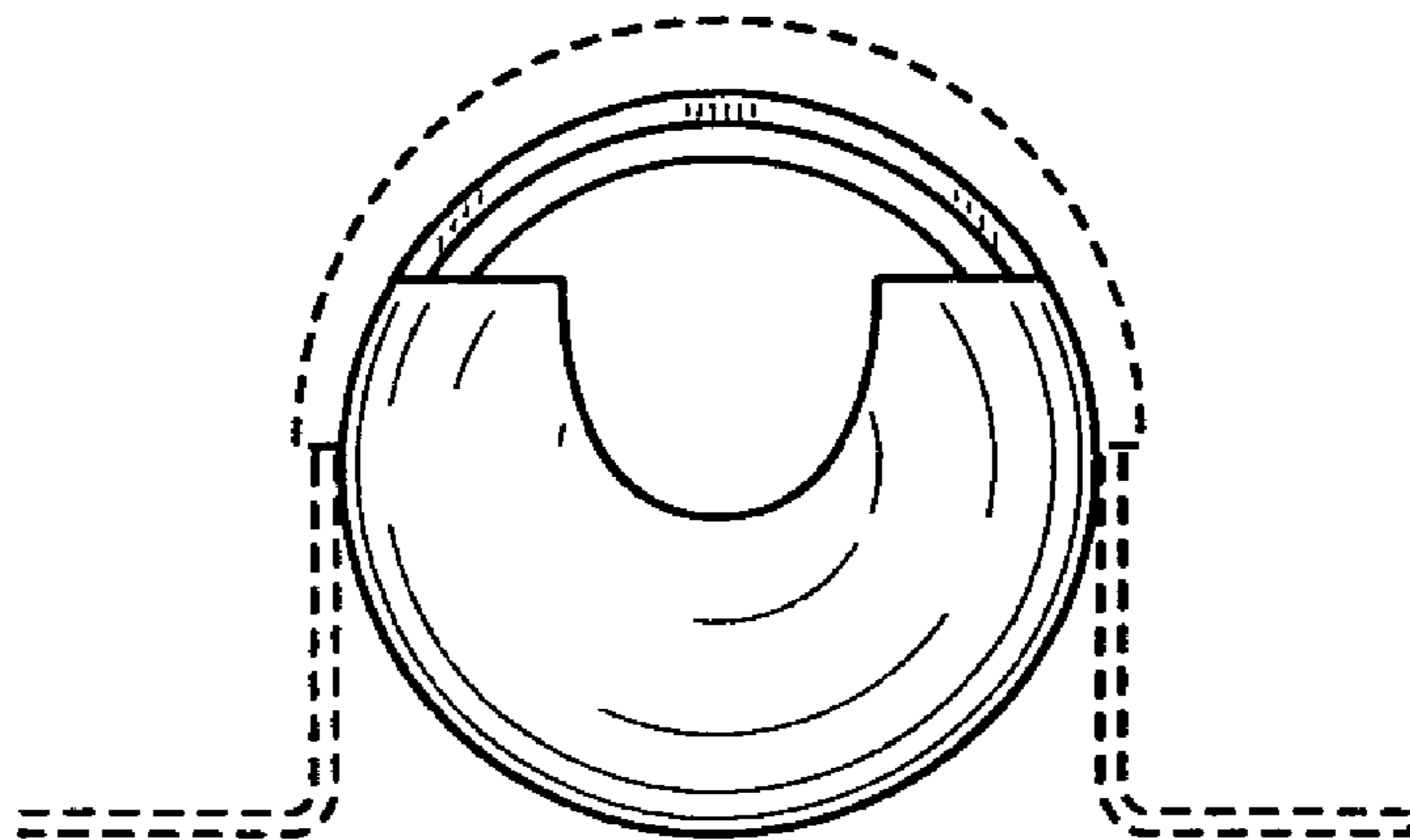


FIG. 6