



US00D622520S

(12) **United States Design Patent**
Grandidier

(10) **Patent No.:** **US D622,520 S**

(45) **Date of Patent:** **** Aug. 31, 2010**

(54) **BOOK AND MAGAZINE RACK**

D546,393 S * 7/2007 Fentress D20/20
D555,736 S * 11/2007 Decarlo et al. D19/90
D585,495 S * 1/2009 Yoshikawa D19/78

(75) Inventor: **Geraldine Grandidier**, London (GB)

(73) Assignee: **Tidy Books Europe Limited**, London (GB)

(**) Term: **14 Years**

(21) Appl. No.: **29/352,889**

(22) Filed: **Dec. 29, 2009**

(51) **LOC (9) Cl.** **06-04**

(52) **U.S. Cl.** **D6/476**

(58) **Field of Classification Search** D6/396,
D6/449, 450, 475, 476, 474, 479; D19/75,
D19/90; D9/737, 756; 206/214, 215; 211/13.1,
211/42; 220/553

See application file for complete search history.

(56) **References Cited**

U.S. PATENT DOCUMENTS

D126,436 S * 4/1941 Hutchings D3/309
D138,130 S * 6/1944 Goodin D3/309
D142,272 S * 8/1945 Dernehl D3/309
D150,379 S * 7/1948 Spence D6/476
D171,645 S * 3/1954 Fraley D6/462
D191,462 S * 10/1961 Fitzsimonds D10/9
D348,366 S * 7/1994 Stravitz D6/476
D370,141 S * 5/1996 Kelly et al. D6/475
D493,304 S * 7/2004 Shaw D6/476
D520,239 S * 5/2006 Rand et al. D3/304

* cited by examiner

Primary Examiner—Elizabeth A Albert

Assistant Examiner—Kelley A Donnelly

(74) *Attorney, Agent, or Firm*—Burns & Levinson LLP;
Bruce D. Jobse

(57) **CLAIM**

The ornamental design for a book and magazine rack, as shown and described.

DESCRIPTION

FIG. 1 is a front view of the book and magazine rack;

FIG. 2 is a right side view of the book and magazine rack;

FIG. 3 is a left side view of the book and magazine rack;

FIG. 4 is a top view of the book and magazine rack;

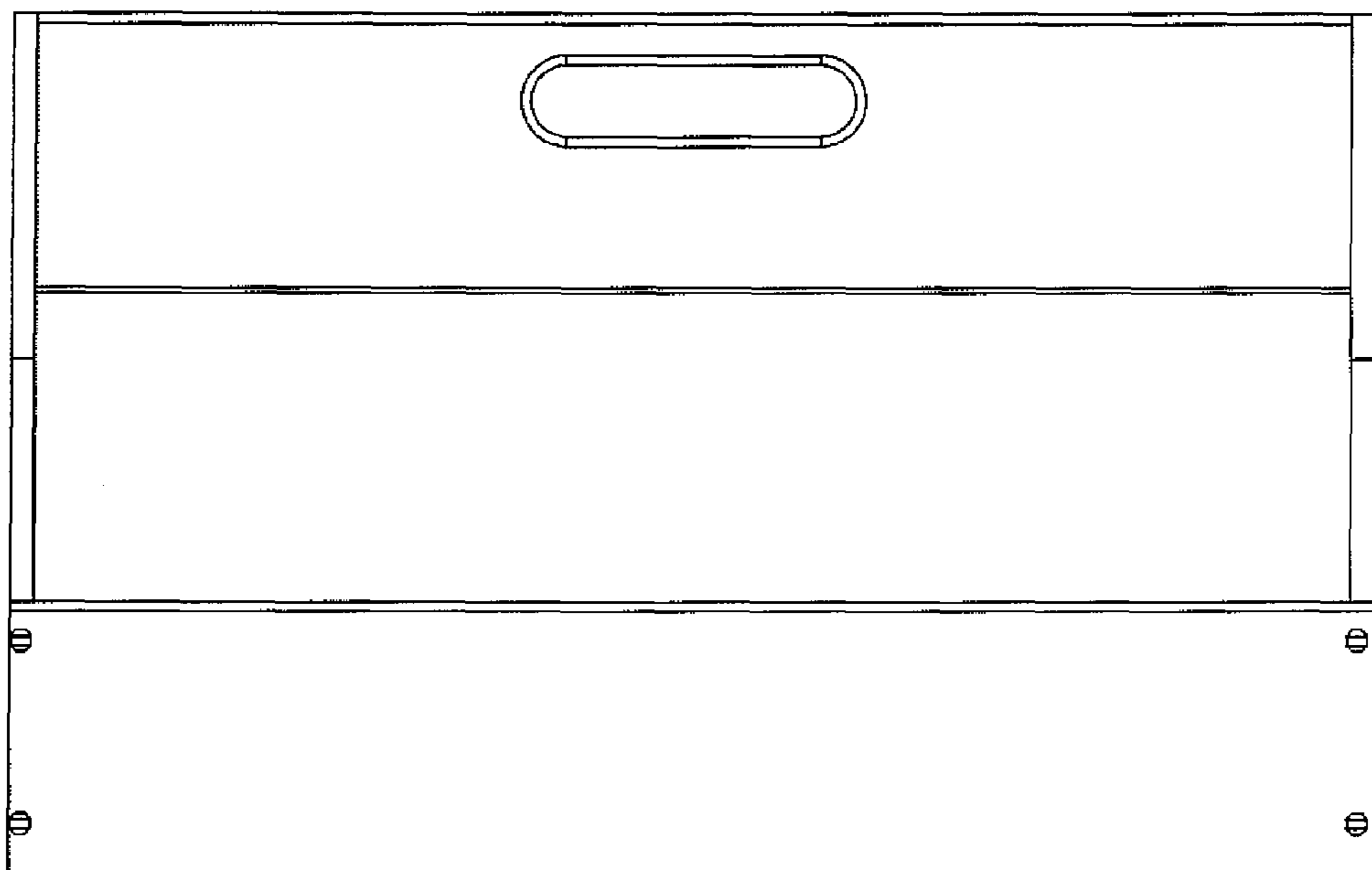
FIG. 5 is a front perspective view of the book and magazine rack;

FIG. 6 is a rear perspective view of the book and magazine rack; and,

FIG. 7 is a bottom perspective view of the book and magazine rack.

The broken lines shown in the drawings are for environmental purposes only and form no part of the claimed design.

1 Claim, 7 Drawing Sheets



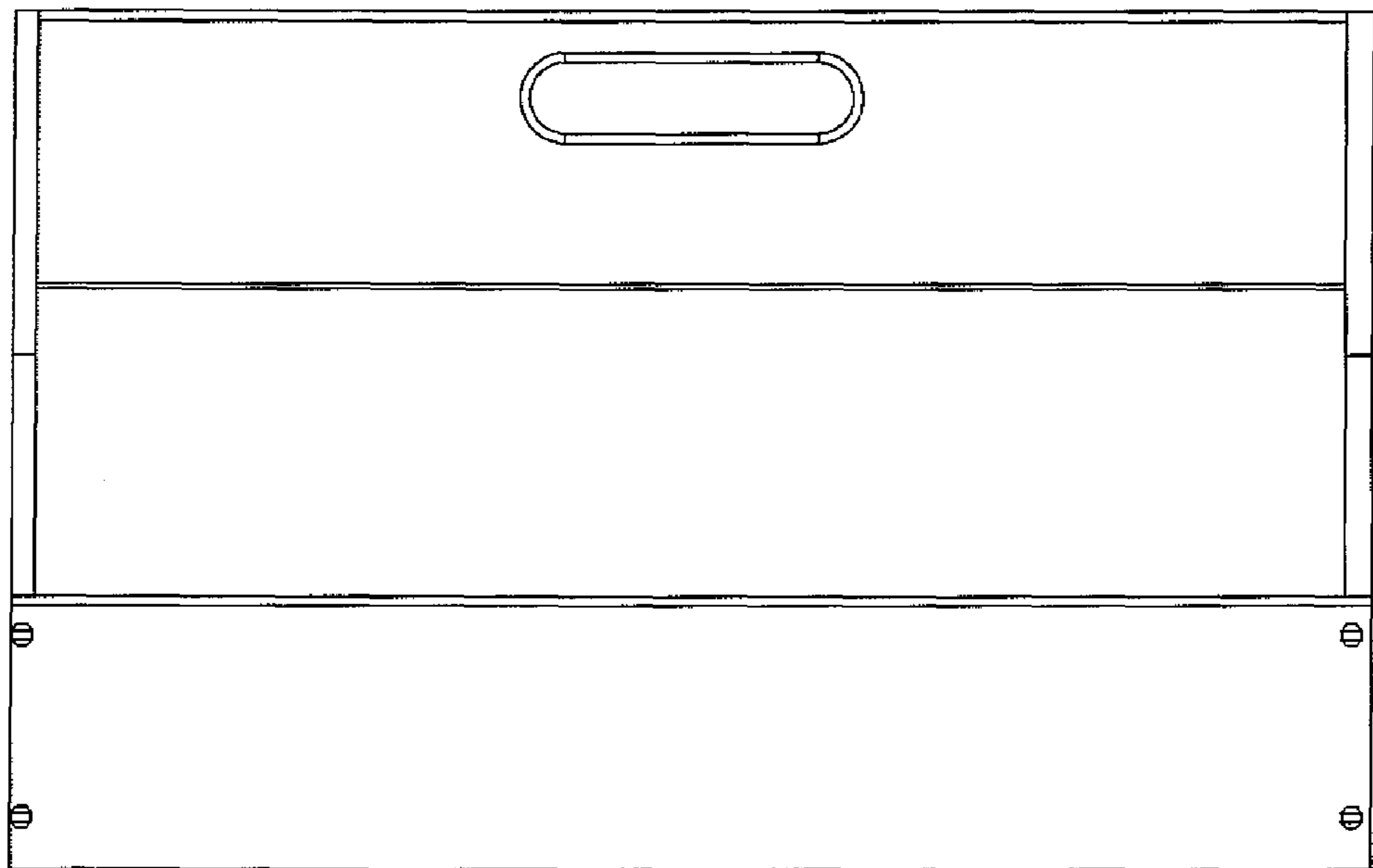


FIG. 1

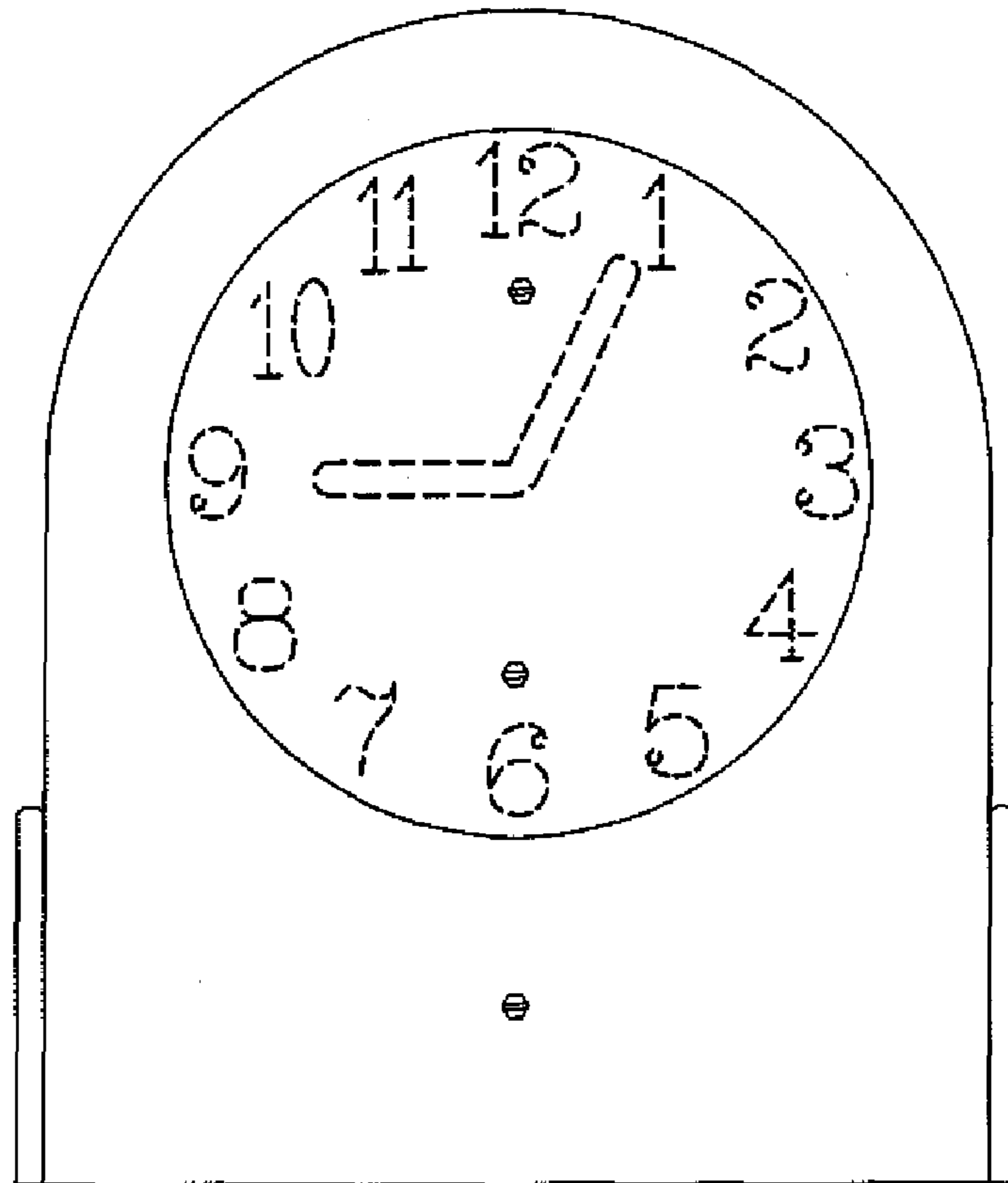


FIG. 2

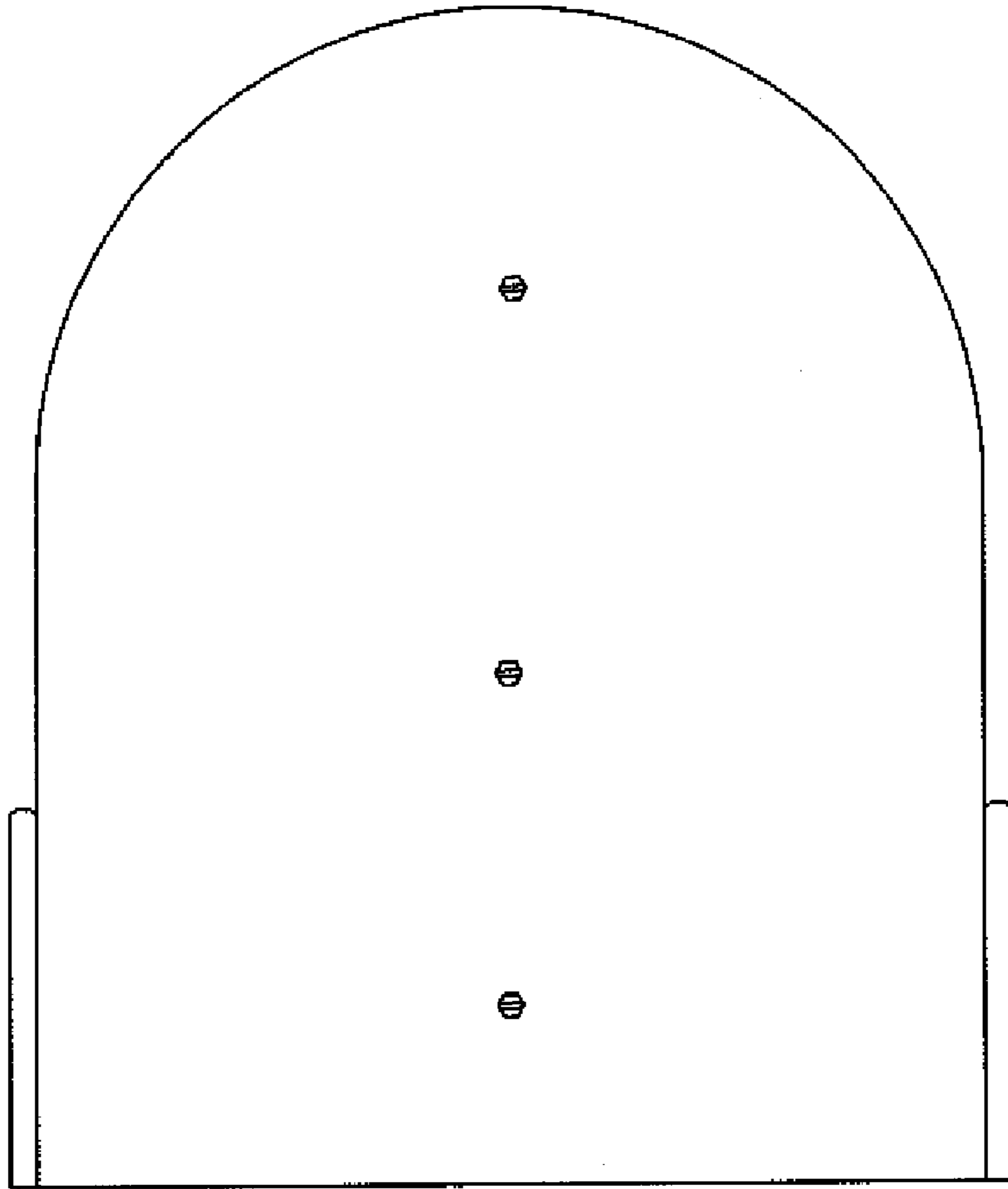


FIG. 3

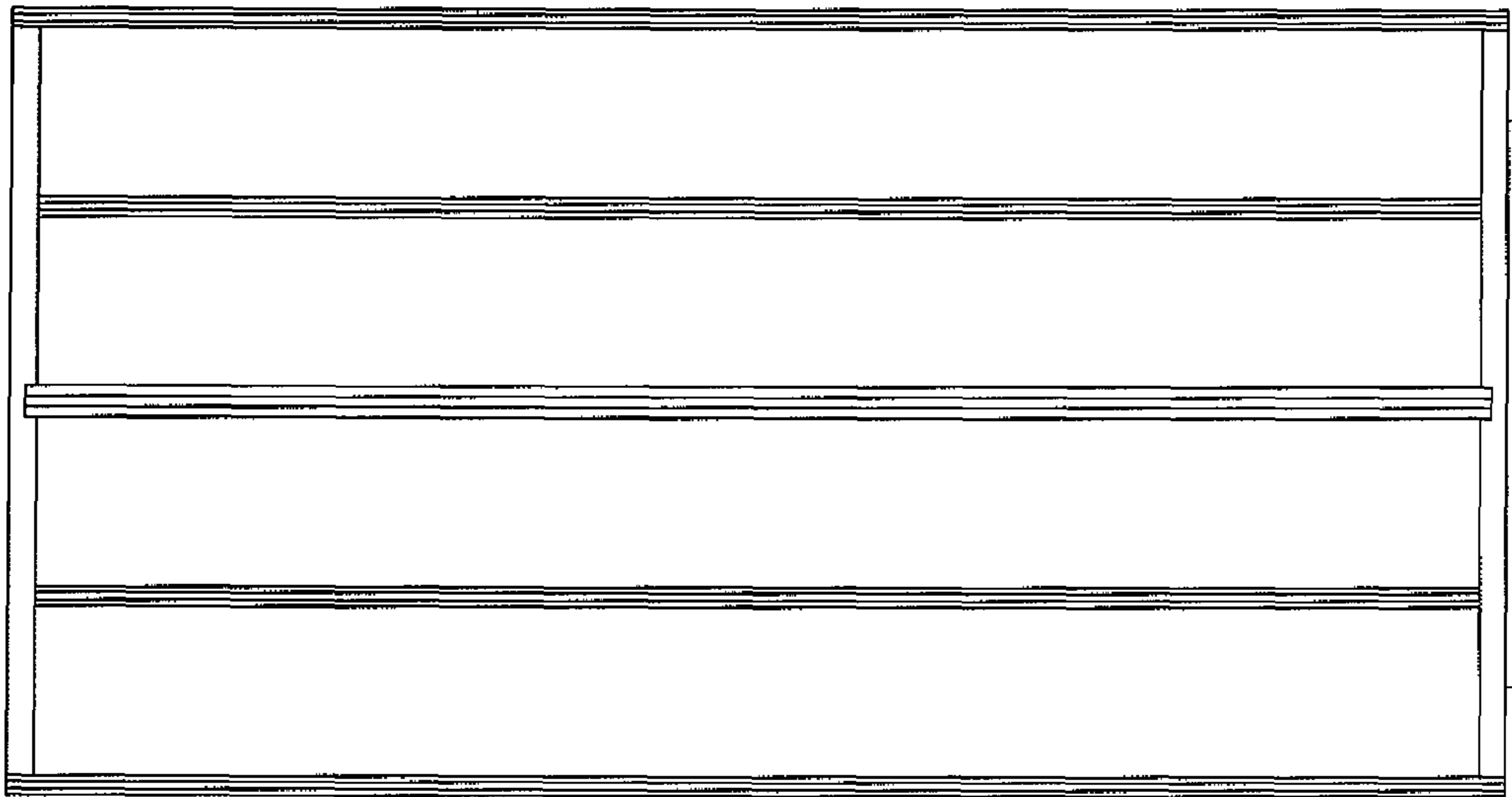


FIG. 4

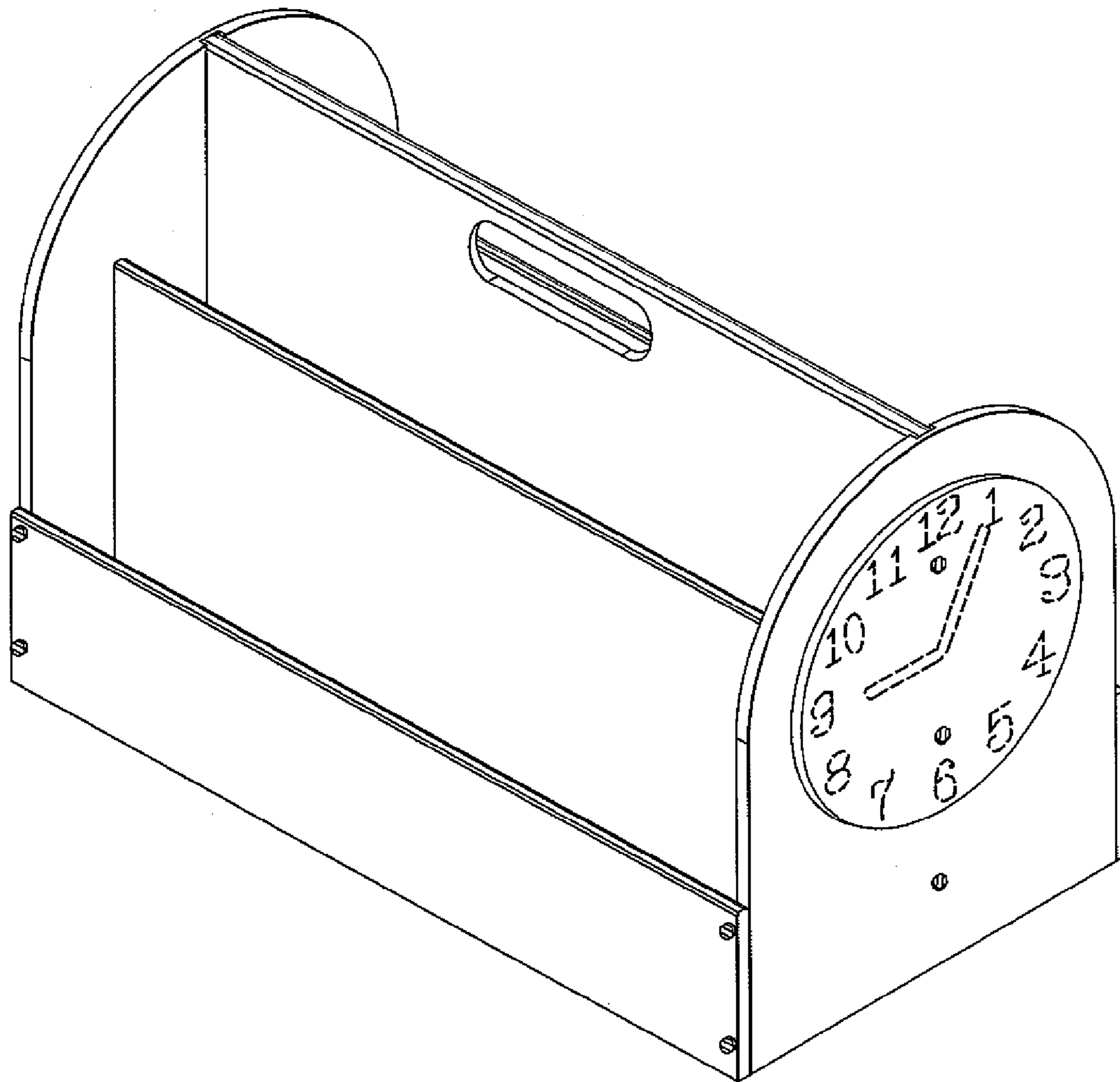


FIG. 5

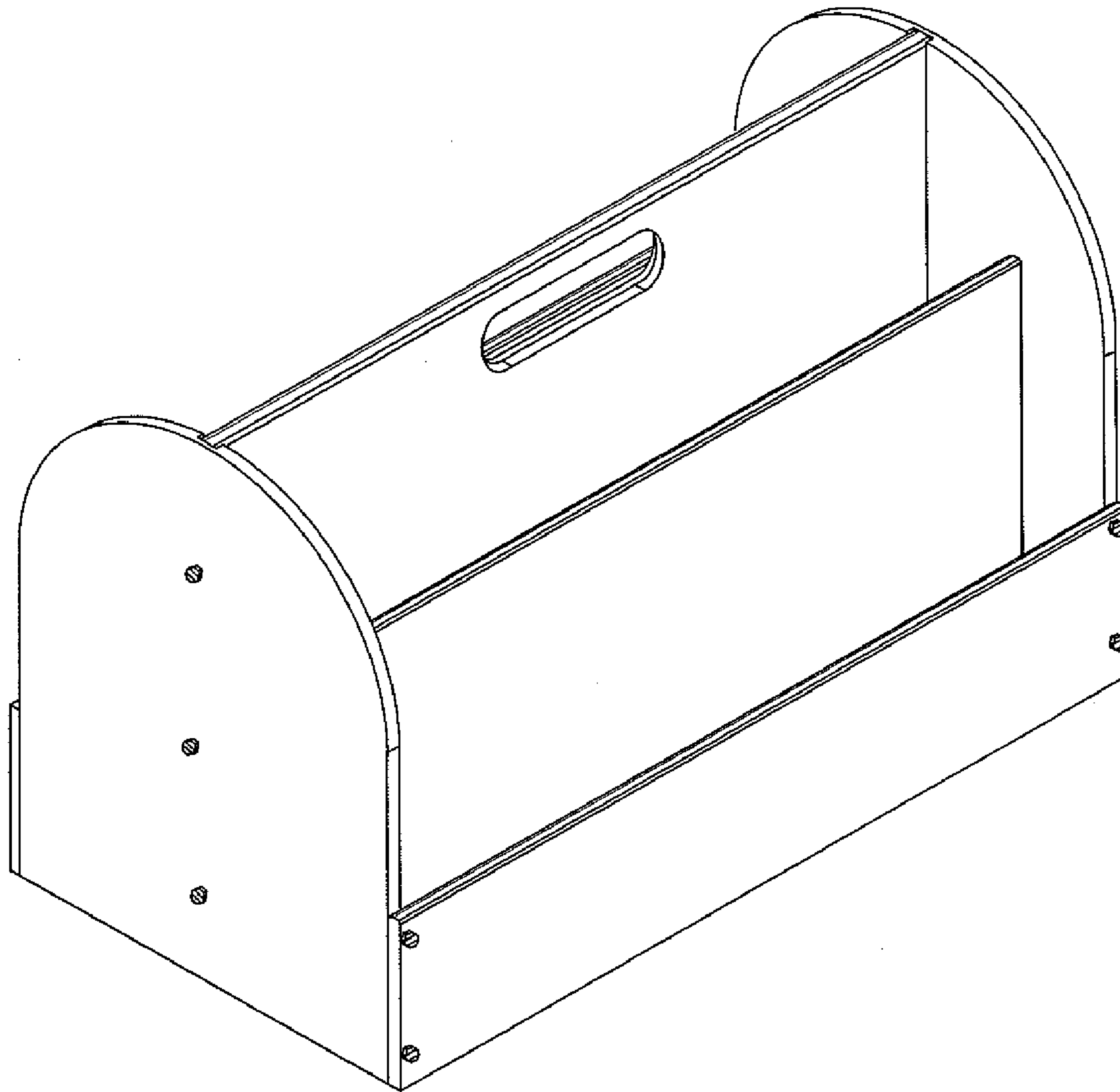


FIG. 6

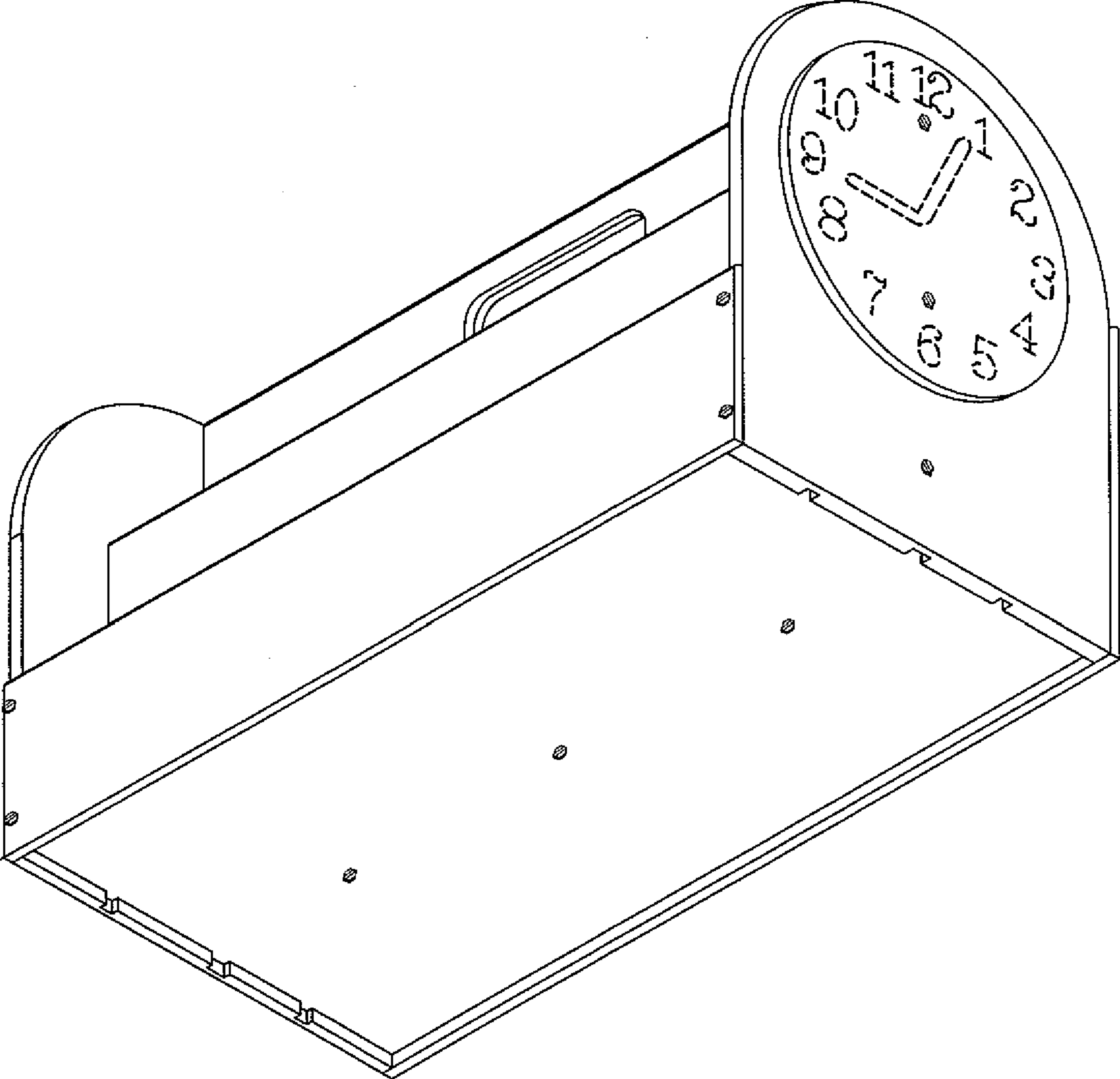


FIG. 7