



US00D622513S

(12) **United States Design Patent**
Tang et al.

(10) **Patent No.:** **US D622,513 S**

(45) **Date of Patent:** **** Aug. 31, 2010**

(54) **DIGITAL PHOTO FRAME**

(75) Inventors: **Chiang-Kuo Tang**, Taipei Hsien (TW);
Kuan-Hong Hsieh, Taipei Hsien (TW);
Te-Yuan Kung, Taipei Hsien (TW);
Xiao-Guang Li, Shenzhen (CN)

(73) Assignee: **Hon Hai Precision Industry Co., Ltd.**,
Tu-Cheng, Taipei Hsien (TW)

(**) Term: **14 Years**

(21) Appl. No.: **29/337,540**

(22) Filed: **May 25, 2009**

(51) **LOC (9) Cl.** **06-07**

(52) **U.S. Cl.** **D6/308; D14/371; D6/300**

(58) **Field of Classification Search** D6/300-314;
40/700, 768, 717, 714, 721, 735, 773; D14/371,
D14/372, 448, 449, 450, 374, 381, 382, 336,
D14/337, 250, 146, 341, 496, 331, 126, 130;
D20/10; D10/24, 75, 2; 428/138; 206/454
See application file for complete search history.

(56) **References Cited**

U.S. PATENT DOCUMENTS

4,777,746	A *	10/1988	Brooks	40/773
5,279,880	A *	1/1994	Cohart	428/138
6,792,710	B2 *	9/2004	Whitlow et al.	40/768
6,997,318	B2 *	2/2006	Park	206/454
D560,917	S *	2/2008	Fields	D6/300
D587,463	S *	3/2009	Franco et al.	D6/300
D589,478	S *	3/2009	Wang	D14/126

2003/0084600	A1 *	5/2003	Peterson	40/768
2006/0207145	A1 *	9/2006	Kim et al.	40/700
2008/0244949	A1 *	10/2008	Forbes et al.	40/700

OTHER PUBLICATIONS

Digital Home, Apr. 2008, p. 65, Taipei, Taiwan.

* cited by examiner

Primary Examiner—Philip S. Hyder

Assistant Examiner—Sydney R Buffalow

(74) *Attorney, Agent, or Firm*—Zhigang Ma

(57) **CLAIM**

The ornamental design for a digital photo frame, as shown and described.

DESCRIPTION

FIG. 1 is a perspective view of the design for a digital photo frame;

FIG. 2 is a front elevational view thereof;

FIG. 3 is a cross-sectional view taken along lines III—III of FIG. 2;

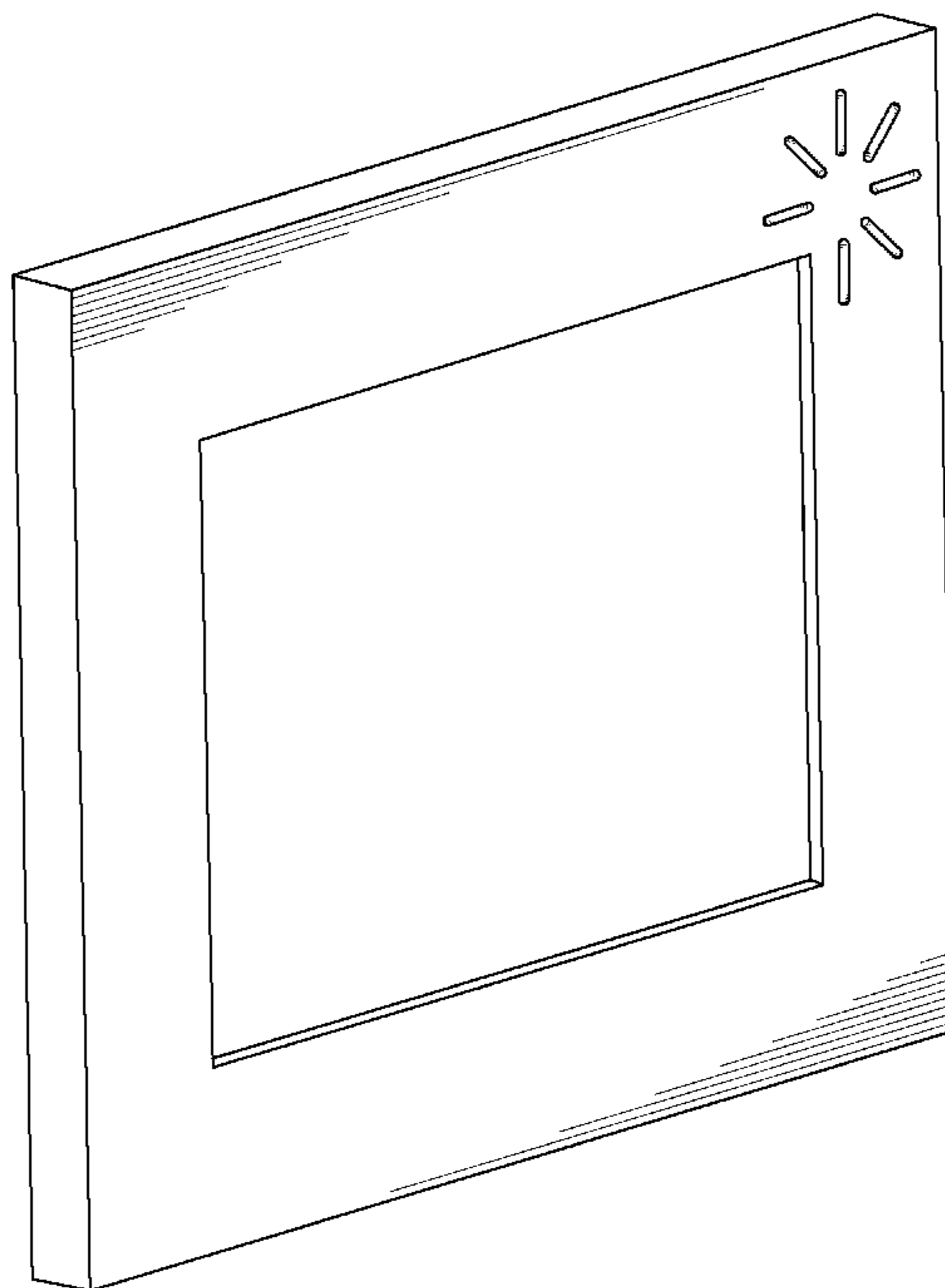
FIG. 4 is a cross-sectional view taken along lines IV—IV of FIG. 2;

FIG. 5 is a partially enlarged view of FIG. 3; and,

FIG. 6 is a partially enlarged view of FIG. 4.

The top, bottom, left, right and rear sides are flat and unornamented.

1 Claim, 6 Drawing Sheets



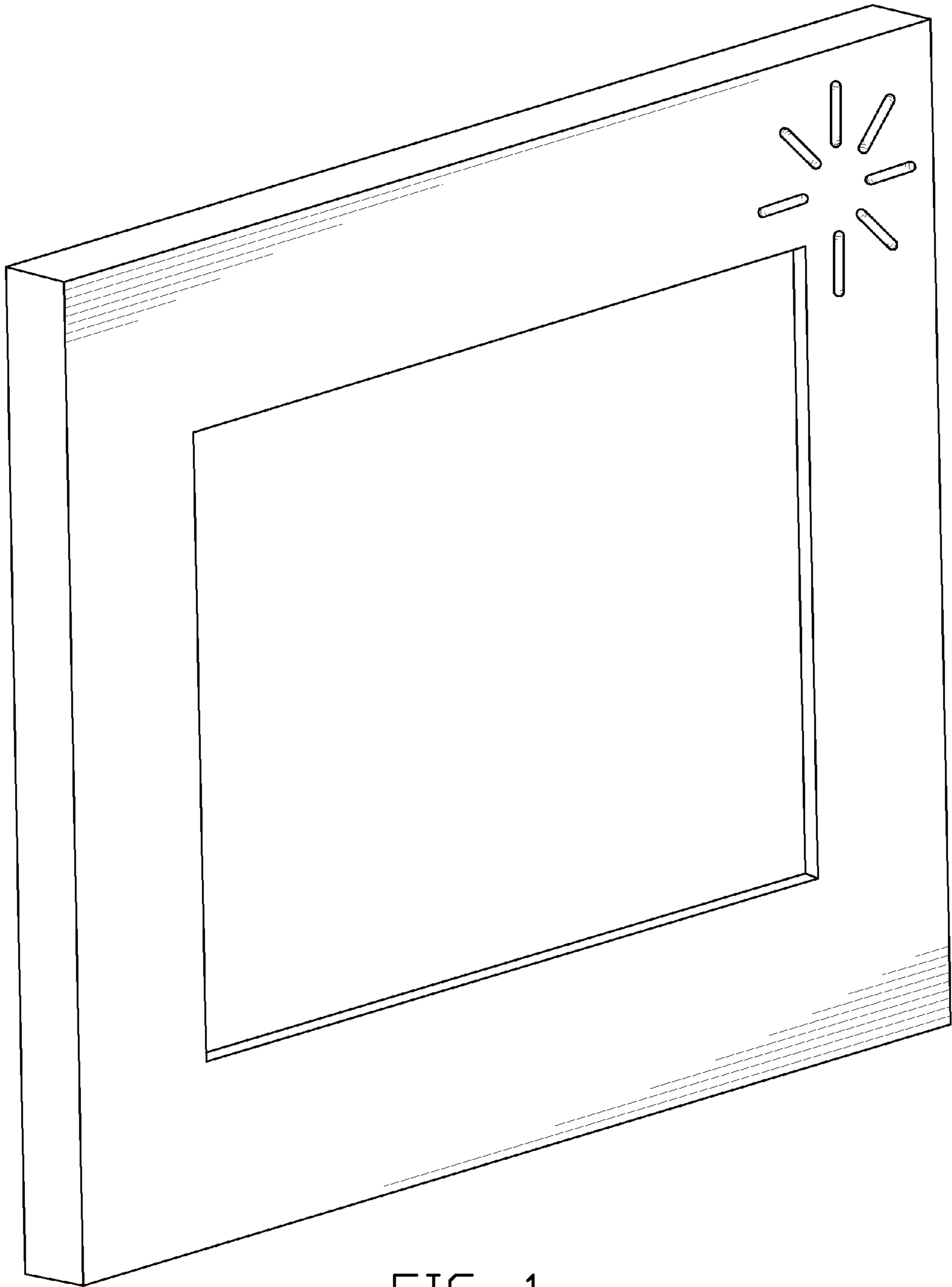


FIG. 1

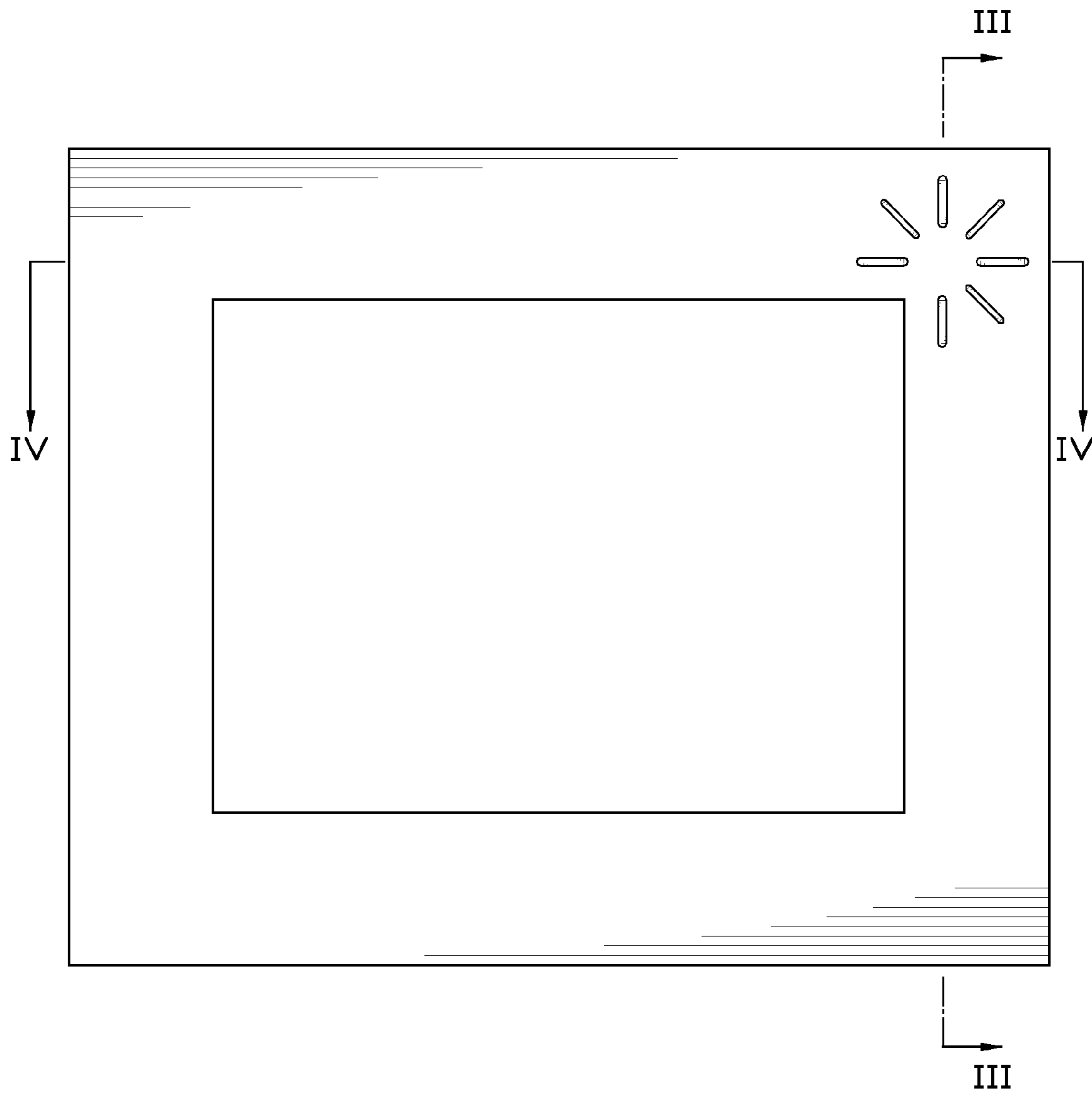


FIG. 2

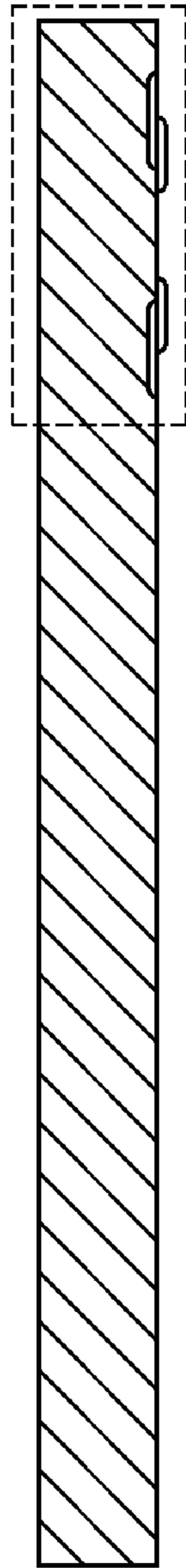


FIG. 3

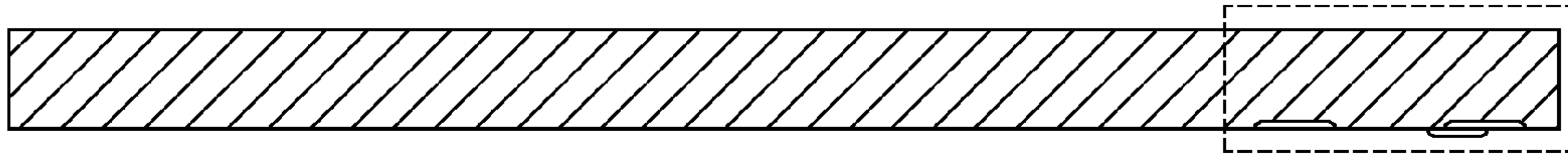


FIG. 4

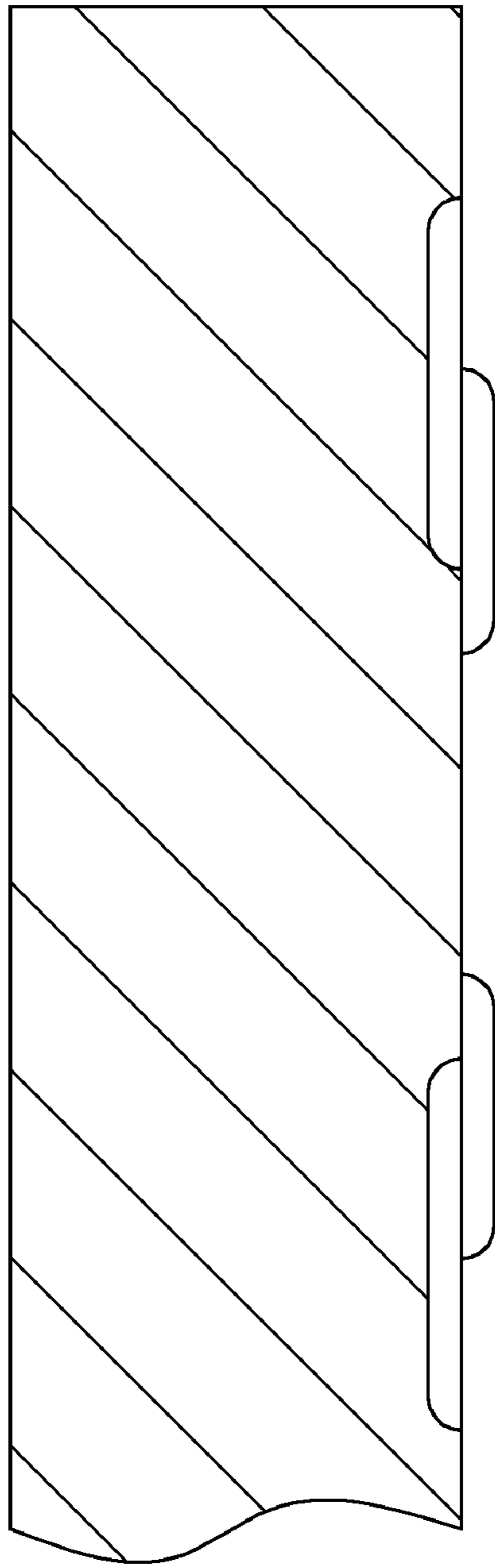


FIG. 5

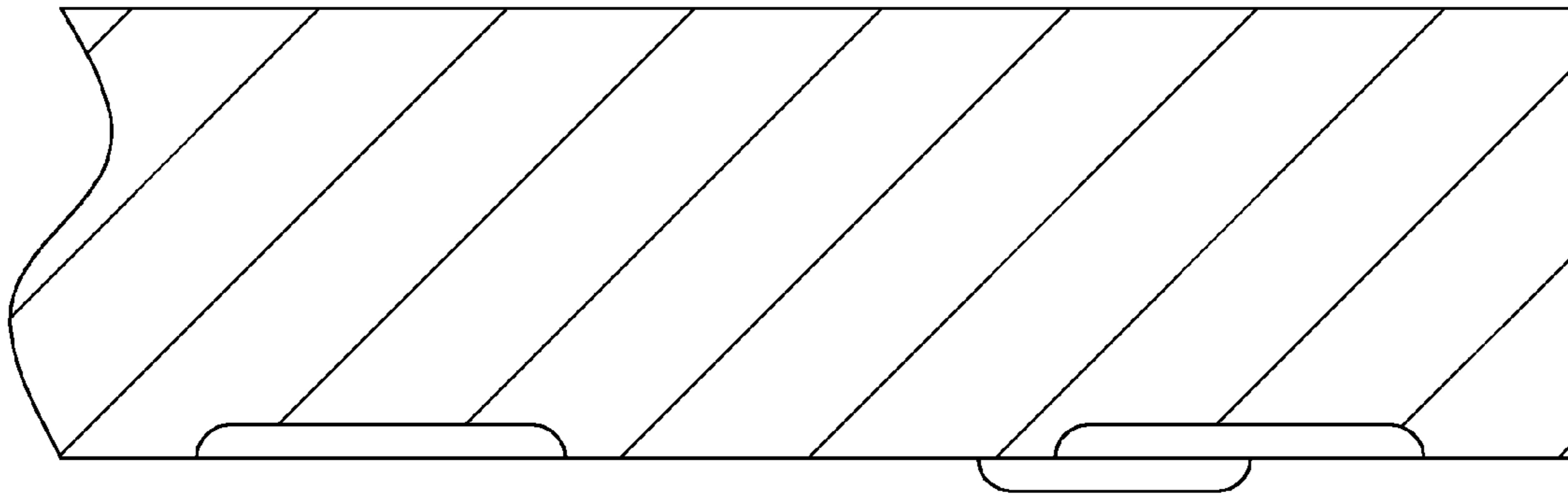


FIG. 6