



US00D622508S

(12) **United States Design Patent**
Gonzalez

(10) **Patent No.:** **US D622,508 S**
(45) **Date of Patent:** **** Aug. 31, 2010**

(54) **HANDBAG**

DESCRIPTION

(75) Inventor: **Alvaro Gonzalez**, Florence (IT)

(73) Assignee: **J. Choo Limited**, London (GB)

(**) Term: **14 Years**

(21) Appl. No.: **29/314,051**

(22) Filed: **Feb. 27, 2009**

(30) **Foreign Application Priority Data**

Sep. 4, 2008 (EM) 000998885-0004

(51) **LOC (9) Cl.** **03-01**

(52) **U.S. Cl.** **D3/318**

(58) **Field of Classification Search** D3/232-233,
D3/240-252; 150/100, 103-104, 106-110,
150/113-114, 118-119, 130-132

See application file for complete search history.

(56) **References Cited**

U.S. PATENT DOCUMENTS

D504,227 S	4/2005	Delafontaine	
D510,799 S	10/2005	Cassegrain	
D536,523 S	2/2007	Guyon	
D545,566 S	7/2007	Guyon	
D551,863 S	10/2007	Gonzalez	
D572,468 S *	7/2008	Nair	D3/232
D581,660 S *	12/2008	Gonzalez	D3/232

* cited by examiner

Primary Examiner—Holly H Baynham

(74) *Attorney, Agent, or Firm*—Fross Zelnick Lehrman & Zissu, P.C.; Lawrence E. Apolzon, Esq.

(57) **CLAIM**

The ornamental design for a handbag, as shown and described.

FIG. 1 is a front perspective view of an alternative embodiment of the handbag shown in FIG. 1, shown in an open position;

FIG. 2 is a front view of the alternative embodiment of the handbag shown in FIG. 1, shown in an open position;

FIG. 3 is a rear view of the alternative embodiment of the handbag shown in FIG. 1, shown in an open position;

FIG. 4 is a left side view of the alternative embodiment of the handbag shown in FIG. 1, shown in an open position;

FIG. 5 is a right side view of the alternative embodiment of the handbag shown in FIG. 1, shown in an open position;

FIG. 6 is a top view of the alternative embodiment of the handbag shown in FIG. 1, shown in an open position;

FIG. 7 is a bottom view of the alternative embodiment of the handbag shown in FIG. 1, shown in an open position;

FIG. 8 is a front perspective view of the alternative embodiment of the handbag shown in FIG. 1, shown in a closed position;

FIG. 9 is a front view of the alternative embodiment of the handbag shown in FIG. 1, shown in a closed position;

FIG. 10 is a rear view of the alternative embodiment of the handbag shown in FIG. 1, shown in a closed position;

FIG. 11 is a left side view of the alternative embodiment of the handbag shown in FIG. 1, shown in a closed position;

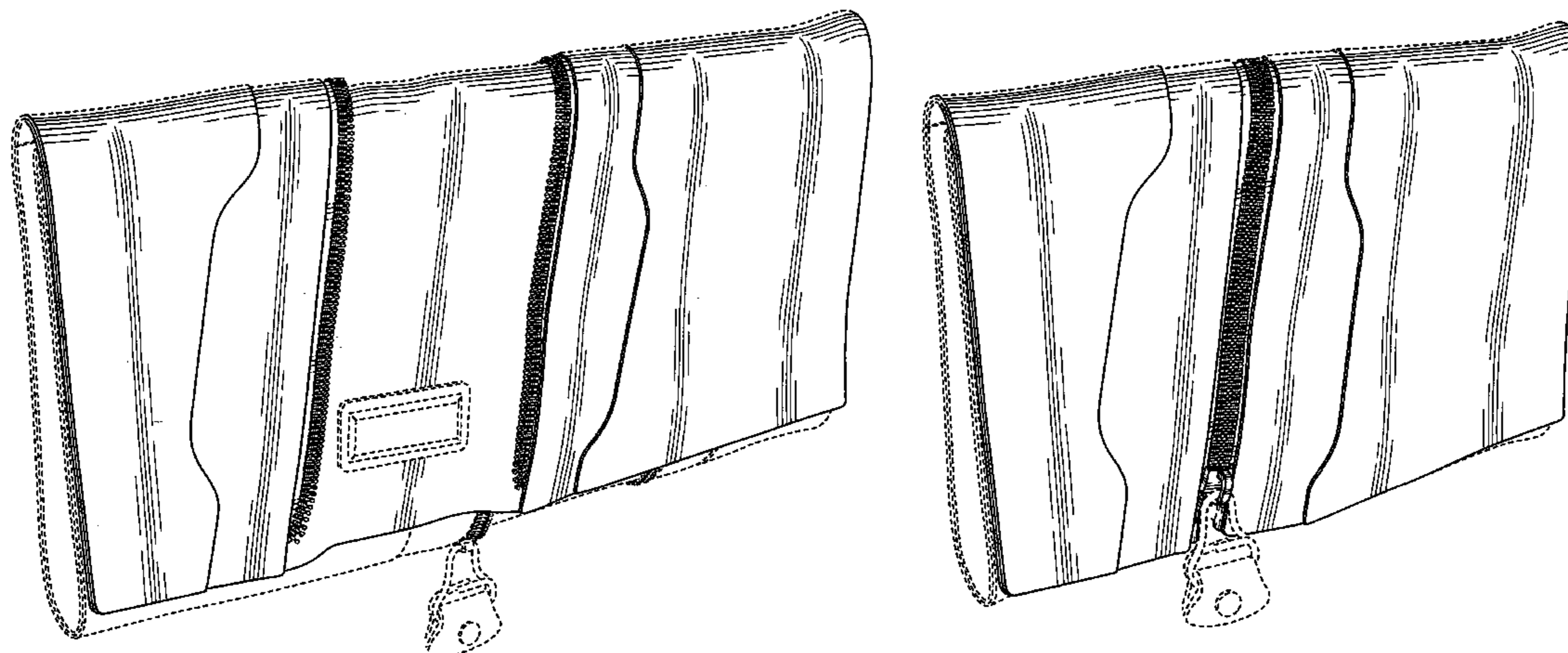
FIG. 12 is a right side view of the alternative embodiment of the handbag shown in FIG. 1, shown in a closed position;

FIG. 13 is a top view of the alternative embodiment of the handbag shown in FIG. 1, shown in a closed position; and,

FIG. 14 is a bottom view of the alternative embodiment of the handbag shown in FIG. 1, shown in a closed position.

The broken line showing of the zipper pull, rectangular plaque, portions of the zipper, and portions of the body of the bag is for illustrative purposes only and forms no part of the claimed design.

1 Claim, 12 Drawing Sheets



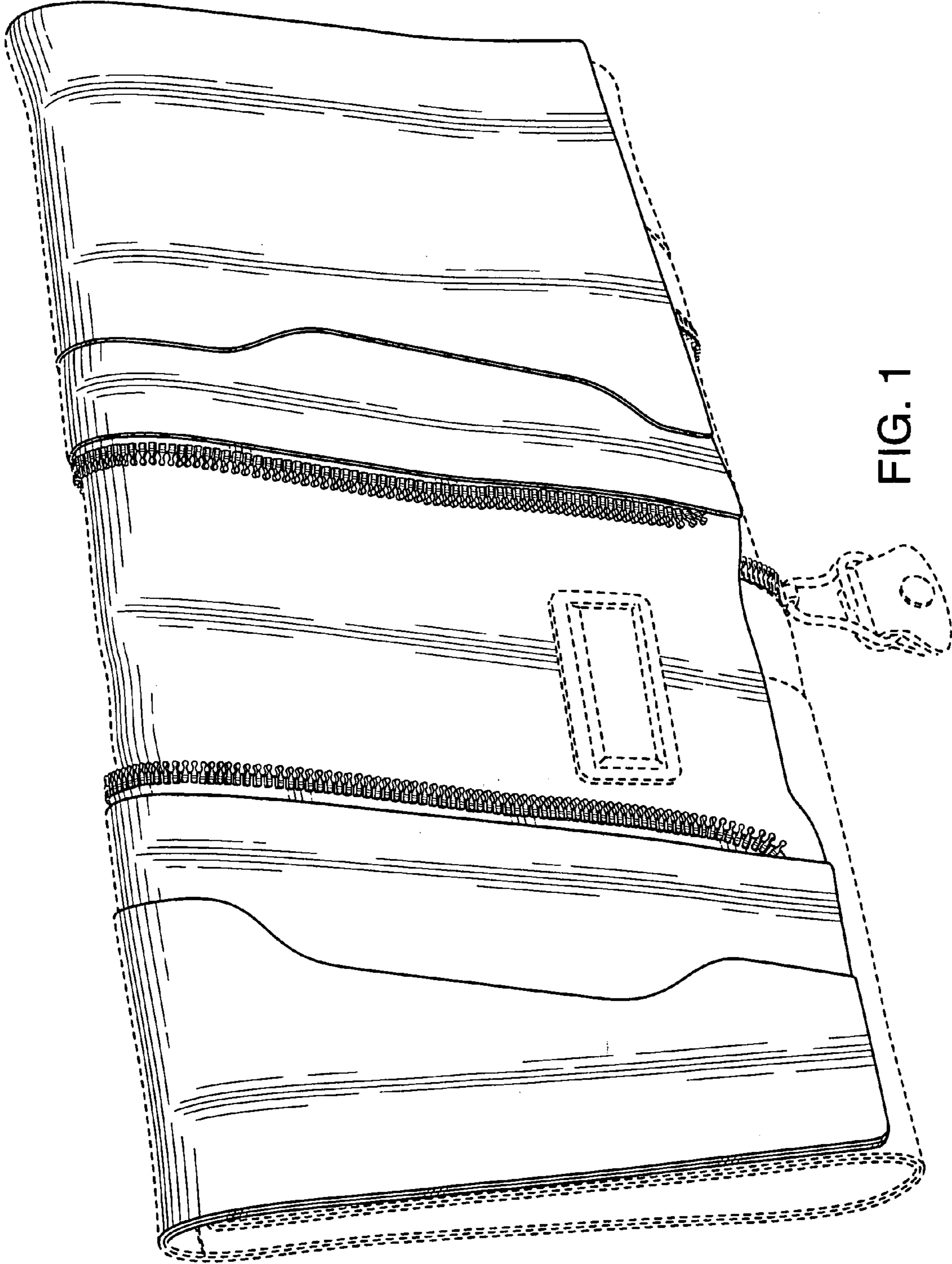


FIG. 1

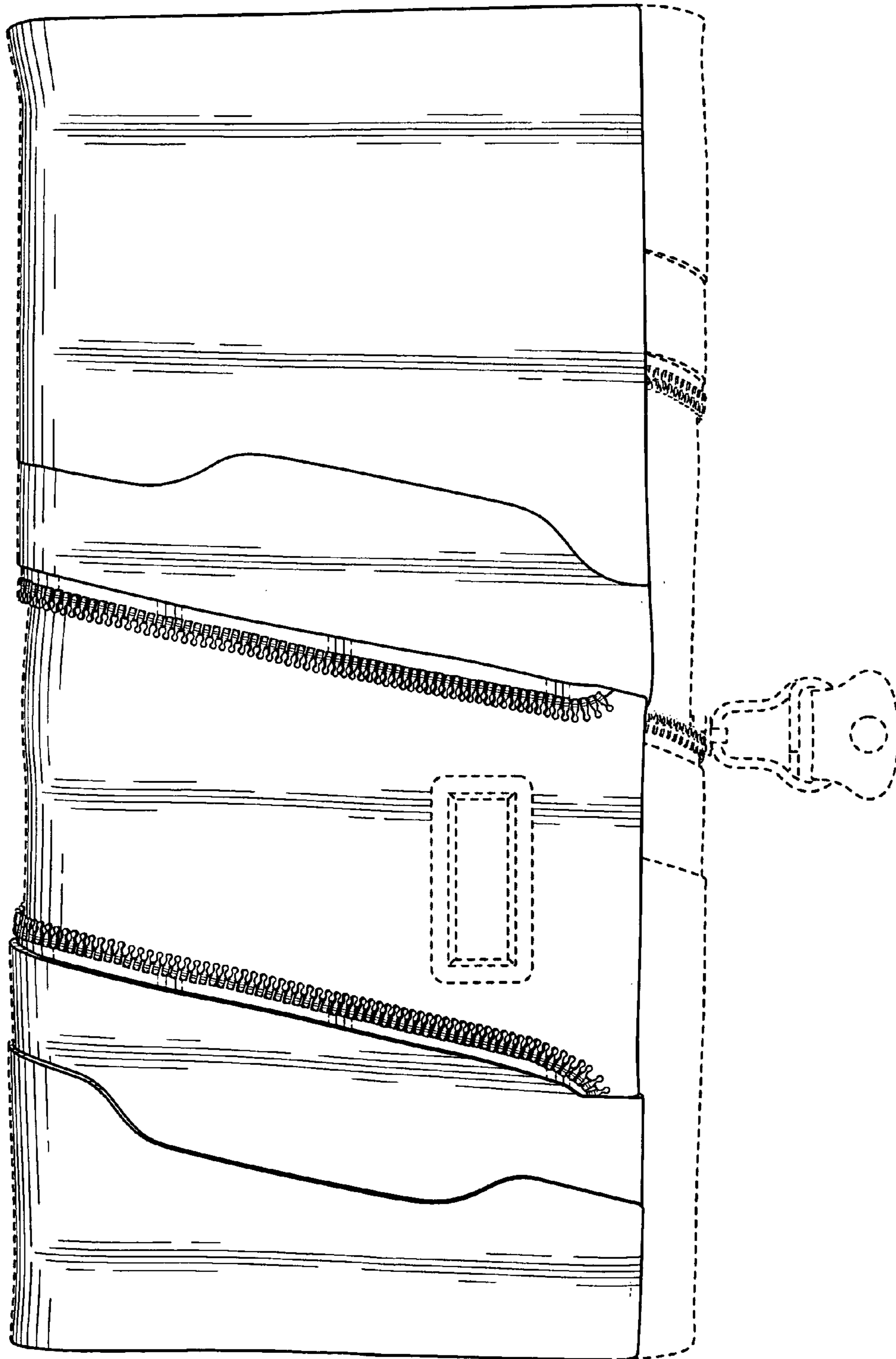


FIG. 2

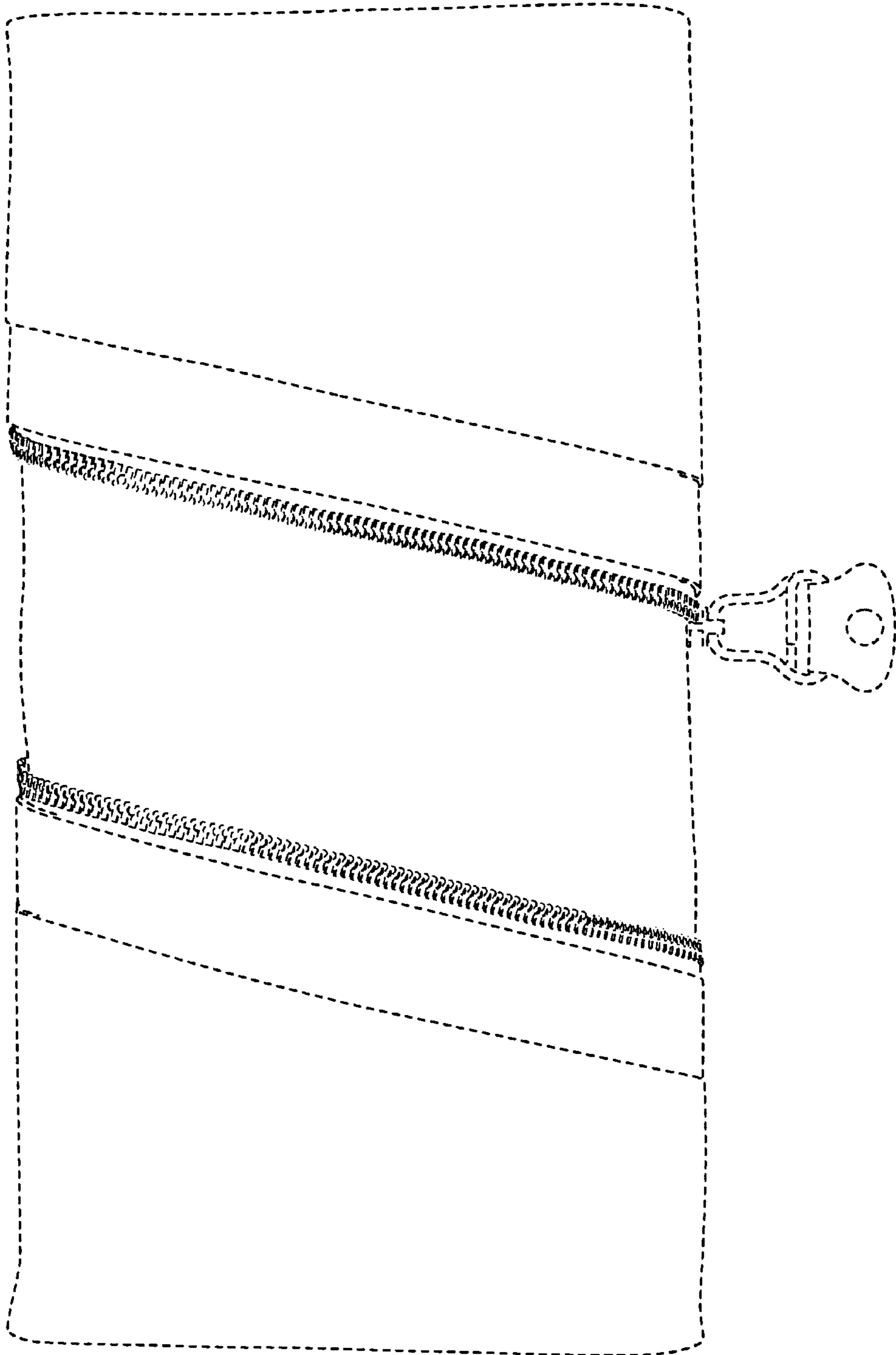


FIG. 3

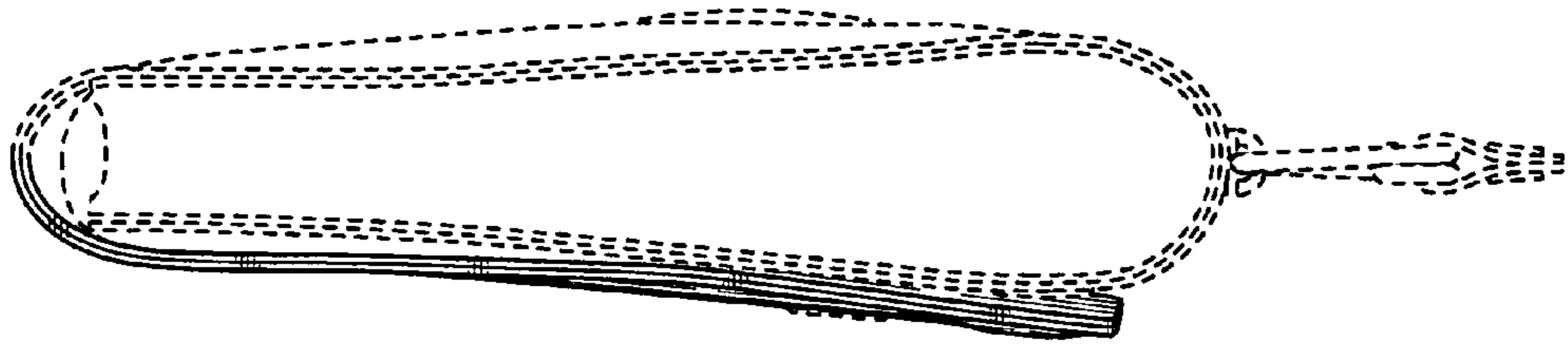


FIG. 5

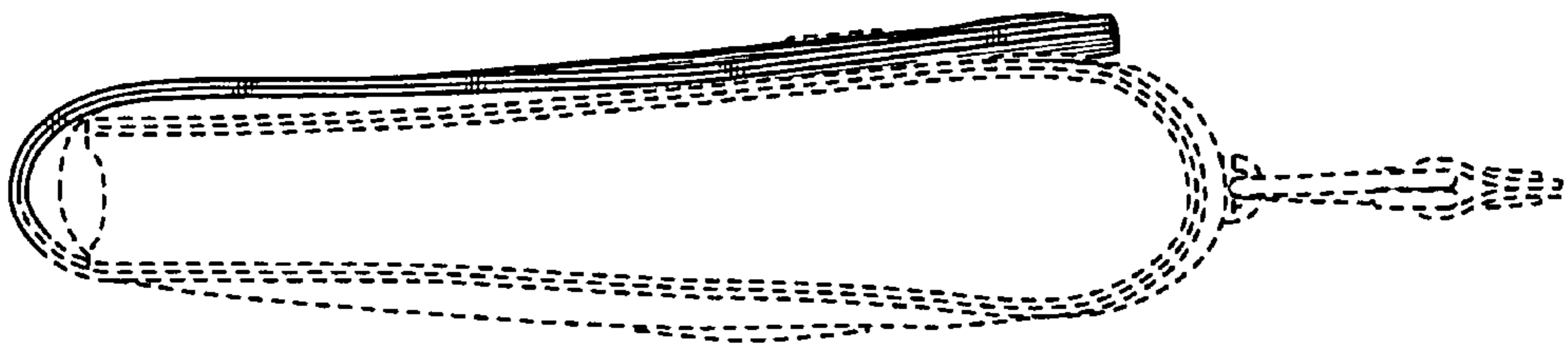


FIG. 4

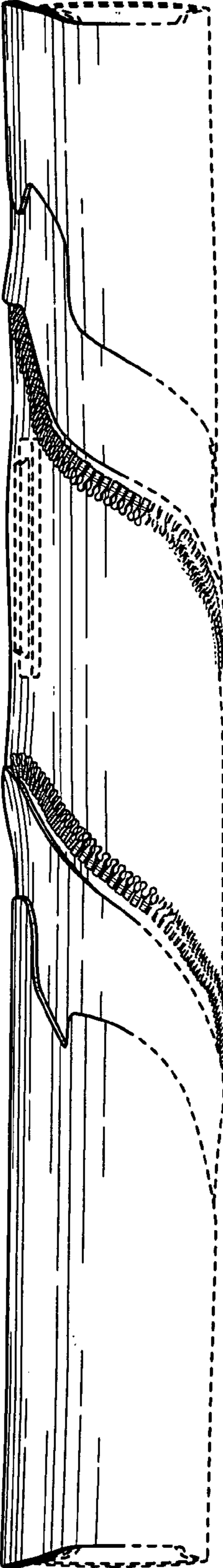


FIG. 6

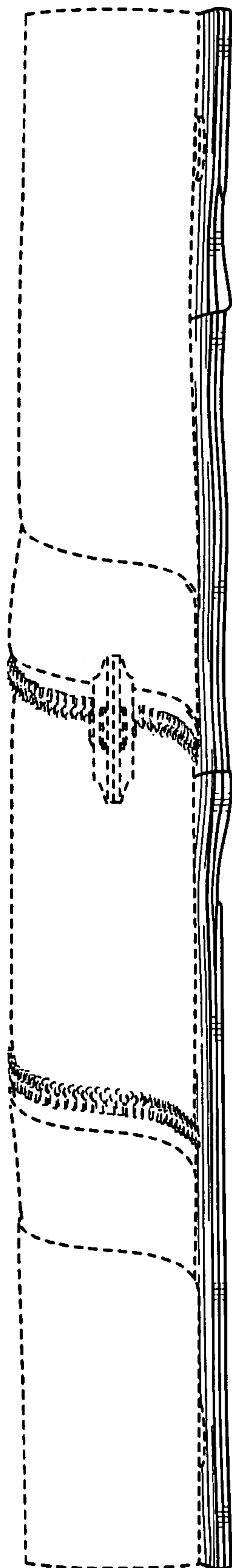


FIG. 7

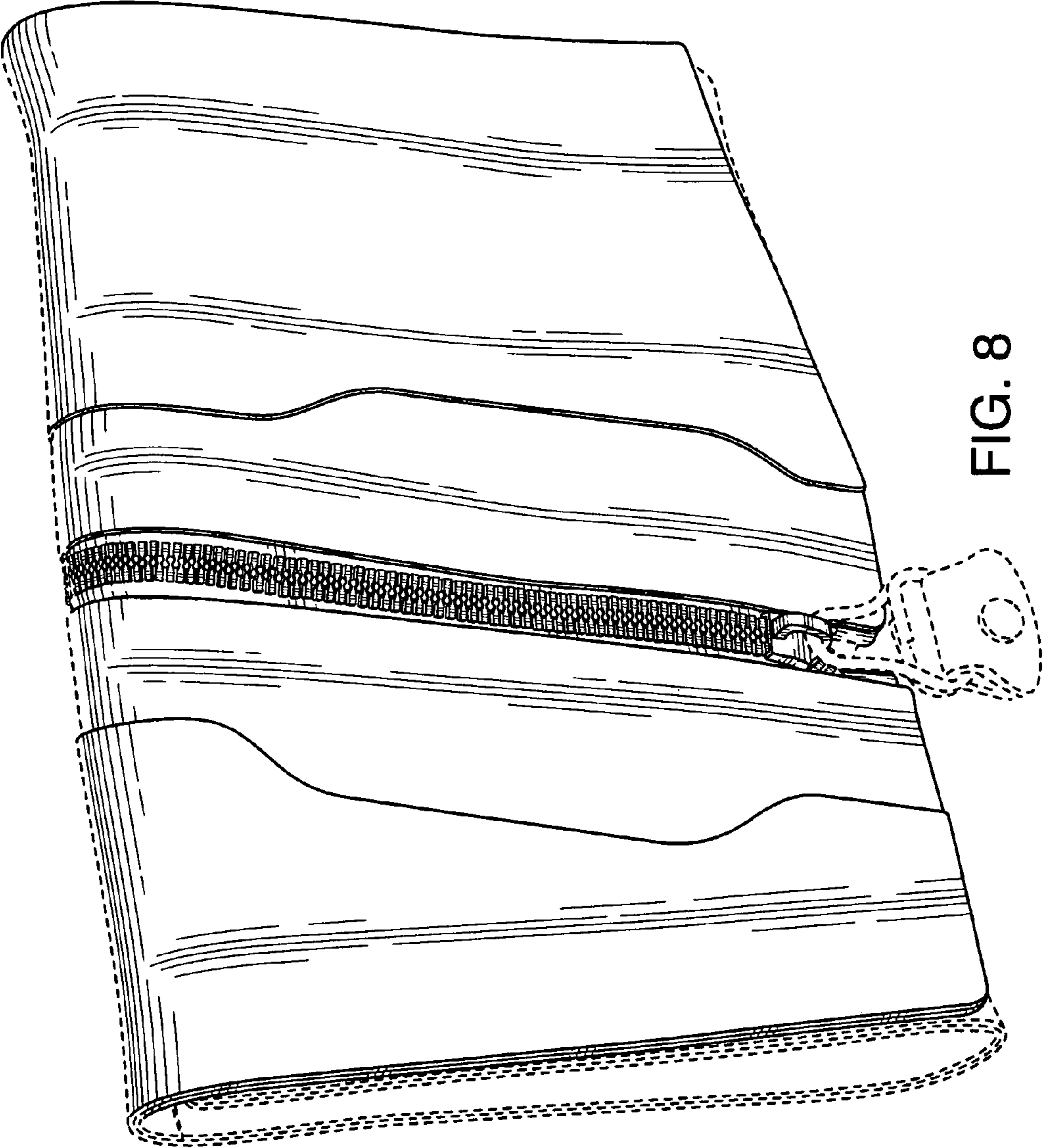


FIG. 8

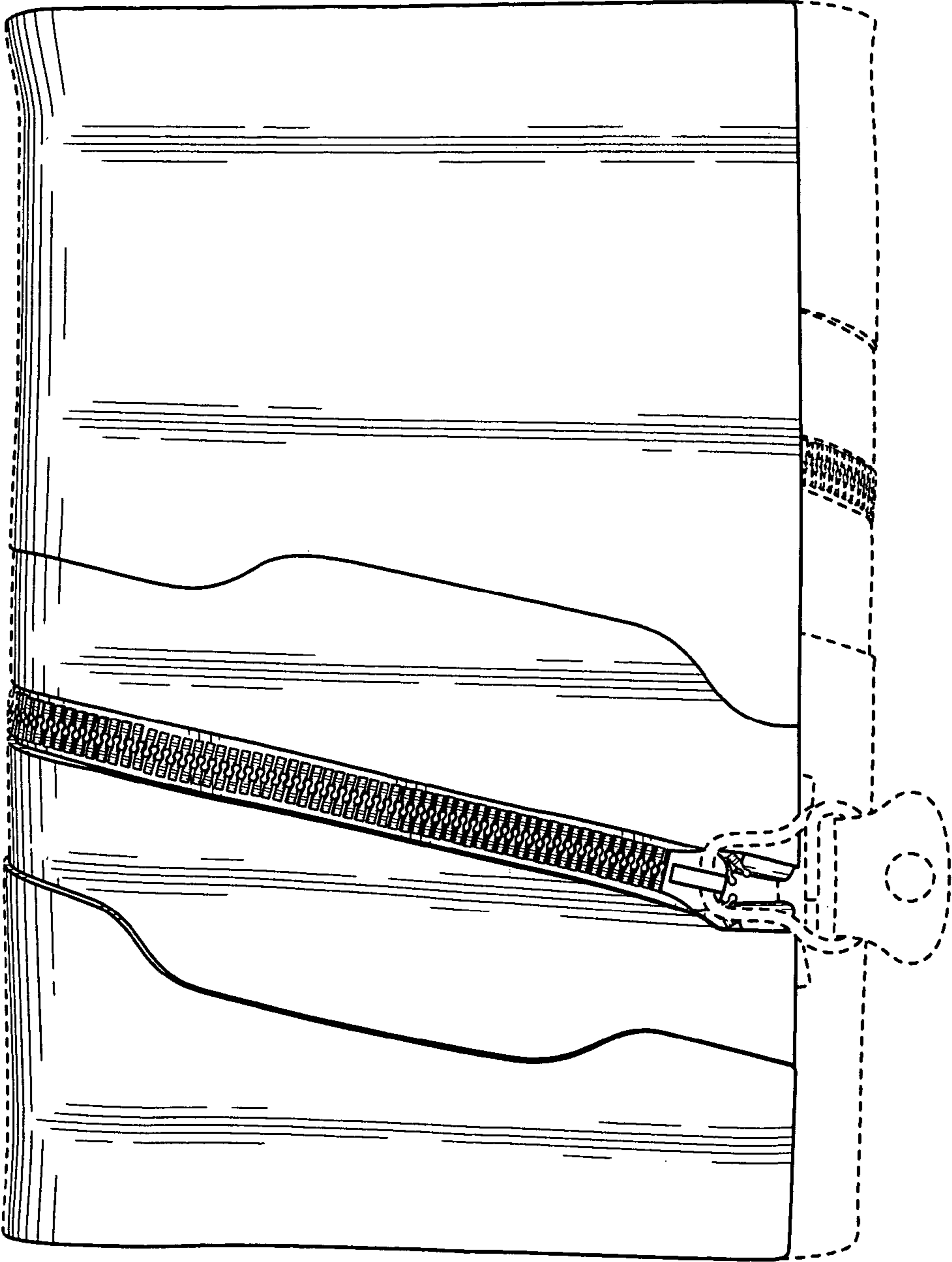


FIG. 9

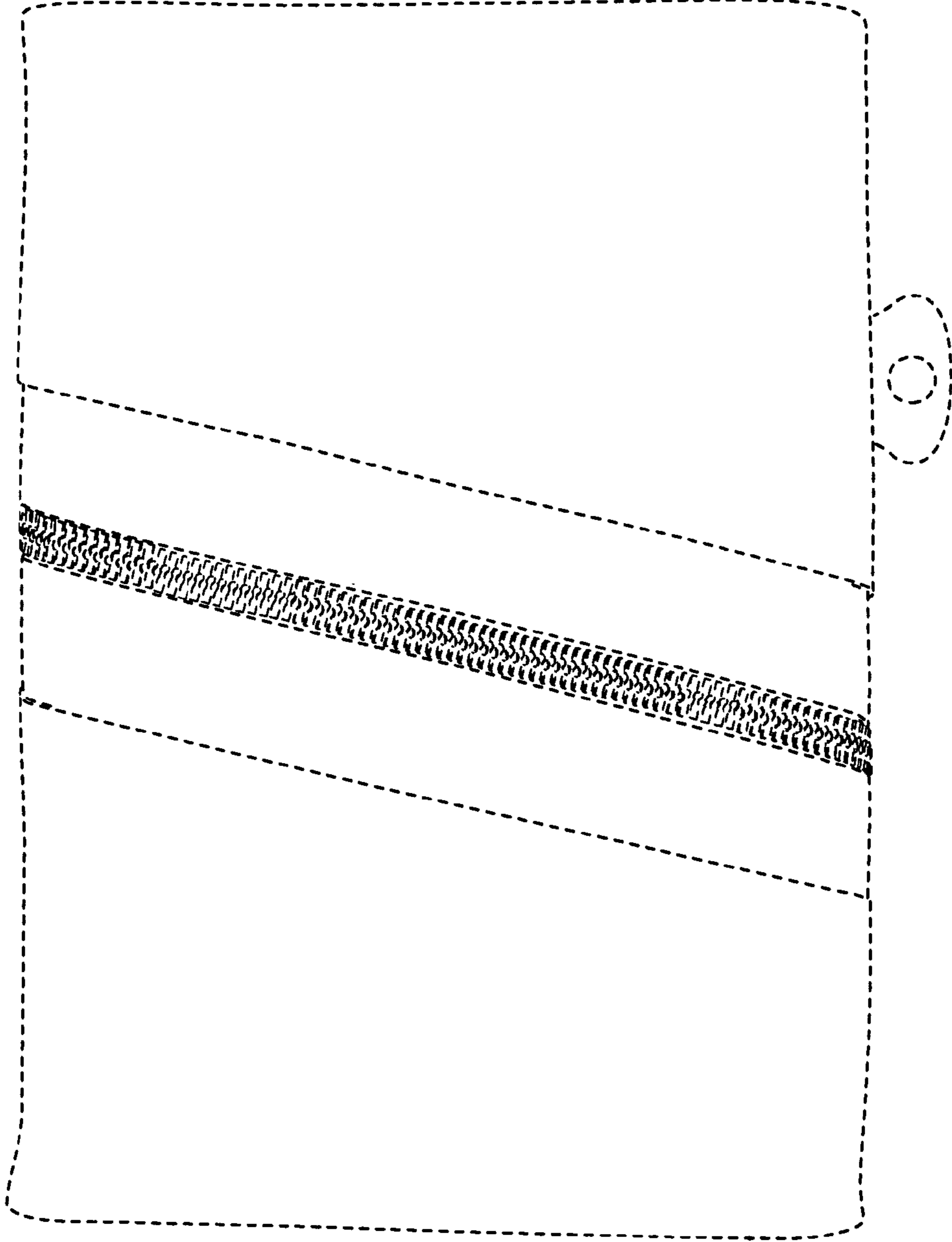


FIG. 10

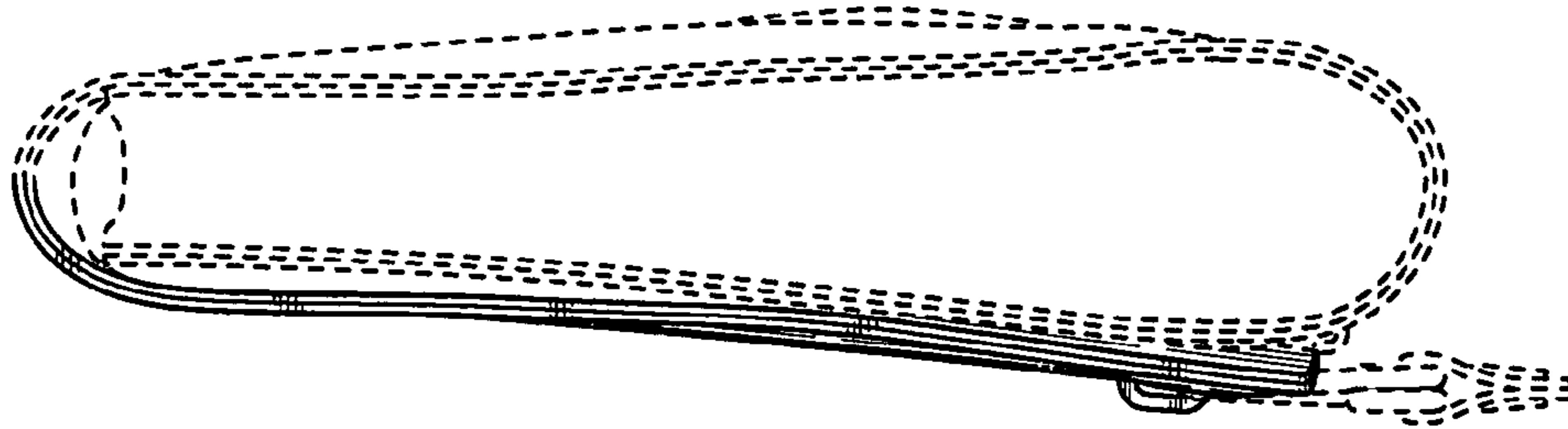


FIG. 12

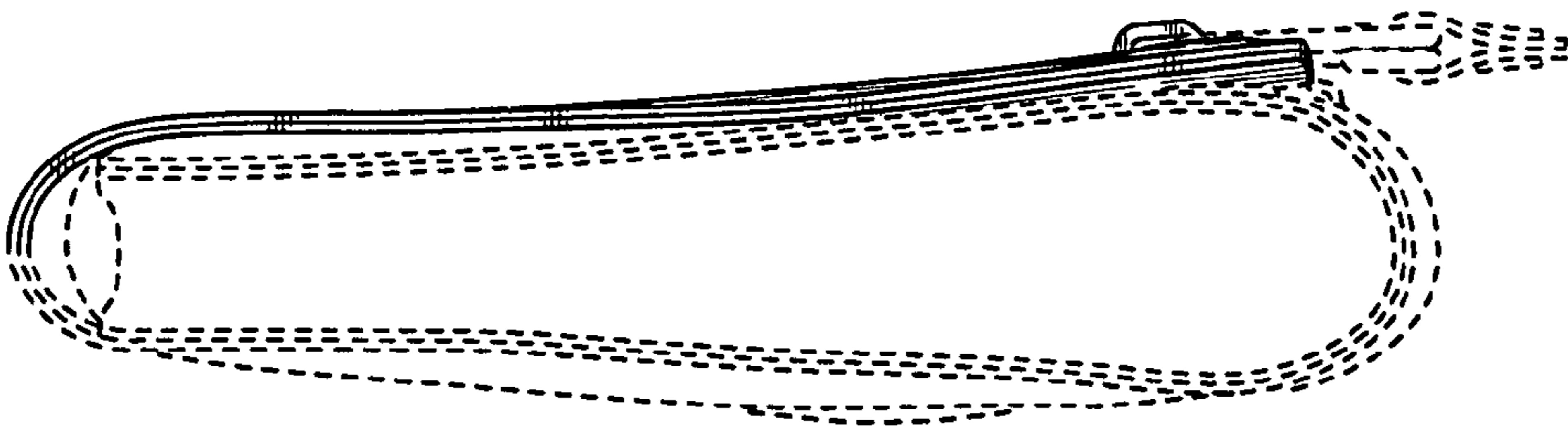


FIG. 11

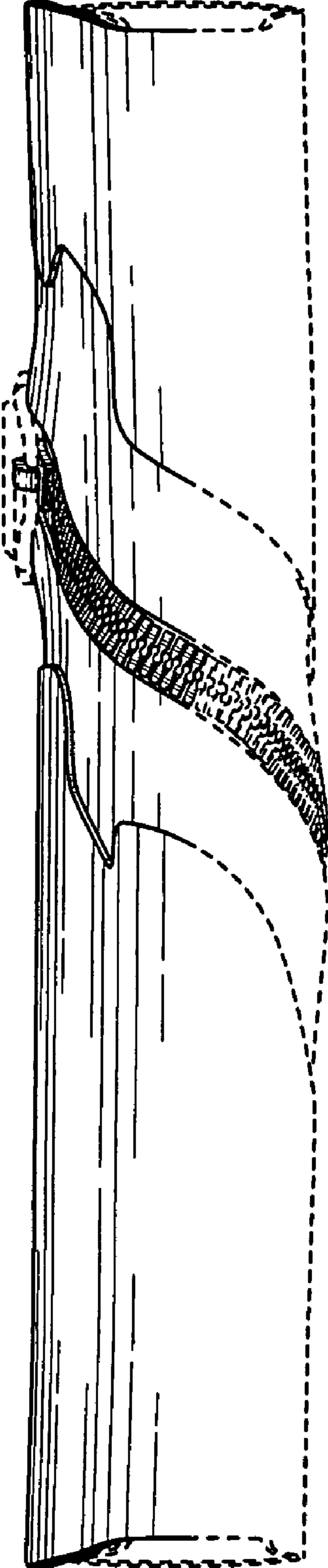


FIG. 13

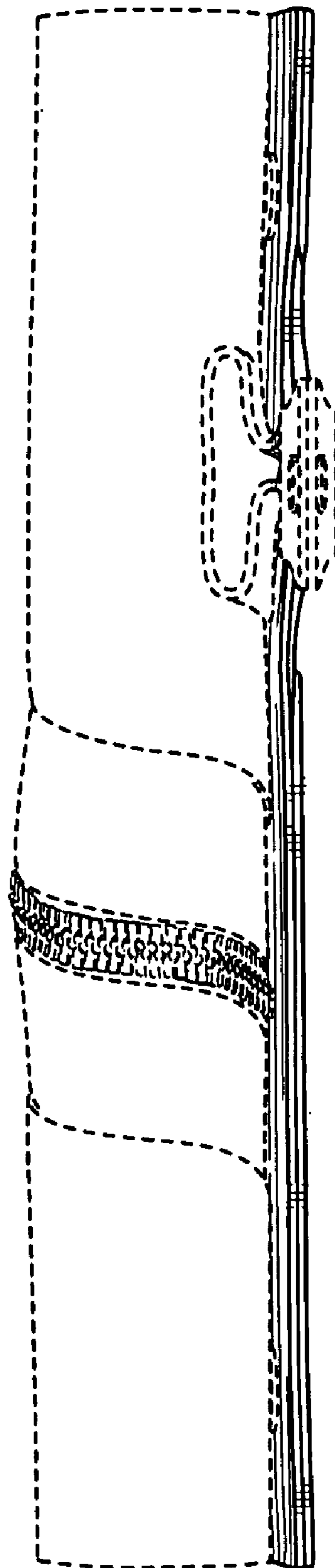


FIG. 14