



US00D622503S

(12) **United States Design Patent**
Palmer

(10) **Patent No.:** **US D622,503 S**
(45) **Date of Patent:** **** Aug. 31, 2010**

(54) **CARPET TILE SAMPLE FOLDER**

(75) Inventor: **William Palmer**, Acworth, GA (US)

(73) Assignee: **Tai Ping Carperts International Ltd.**,
Hwai Chung (HK)

(**) Term: **14 Years**

(21) Appl. No.: **29/315,741**

(22) Filed: **Jul. 20, 2009**

(51) **LOC (9) Cl.** **03-01**

(52) **U.S. Cl.** **D3/274**

(58) **Field of Classification Search** D3/201,
D3/269, 273, 274, 294, 295, 297, 298, 299,
D3/300, 318; D6/409; D19/26; 206/45.28,
206/450, 472, 731, 732, 733, 734, 735, 736,
206/738, 751, 758, 763; 402/73, 79; 434/367
See application file for complete search history.

(56) **References Cited**

U.S. PATENT DOCUMENTS

1,445,593 A * 2/1923 Iscowitz 206/242

(Continued)

Primary Examiner—Elizabeth A Albert

Assistant Examiner—Karen E Eldridge Powers

(74) *Attorney, Agent, or Firm*—Robert L. Epstein; Epstein
Drangel Bazerman & James, LLP

(57) **CLAIM**

The ornamental design for a carpet tile sample folder, substantially as shown and described.

DESCRIPTION

FIG. 1 is a perspective view of my design showing the front cover, end and bottom of the closed folder;

FIG. 2 is a perspective view of my design showing the rear cover, spine and top of the closed folder;

FIG. 3 is a plan view showing the front cover of my design;

FIG. 4 is a plan view showing the rear cover of my design;

FIG. 5 is an elevation view showing the end of my design;

FIG. 6 is an elevation view showing the spine of my design;

FIG. 7 is an elevation view showing the bottom of my design, the top being the mirror image thereof;

FIG. 8 is a perspective view of my design showing the folder open;

FIG. 9 is a front plan view of my design showing the folder open;

FIG. 10 is an elevation view showing one end of my design with the folder open;

FIG. 11 is an elevation view showing the other end of my design with the folder open;

FIG. 12 is an elevation view showing the bottom of my design with the folder open, the top being a mirror image thereof;

FIG. 13 is a perspective view of my design with the folder open and the slidable members extended;

FIG. 14 is a front plan view of my design with the folder open and the slidable members extended;

FIG. 15 is a plan view showing one end of my design with the folder open and the slidable members extended;

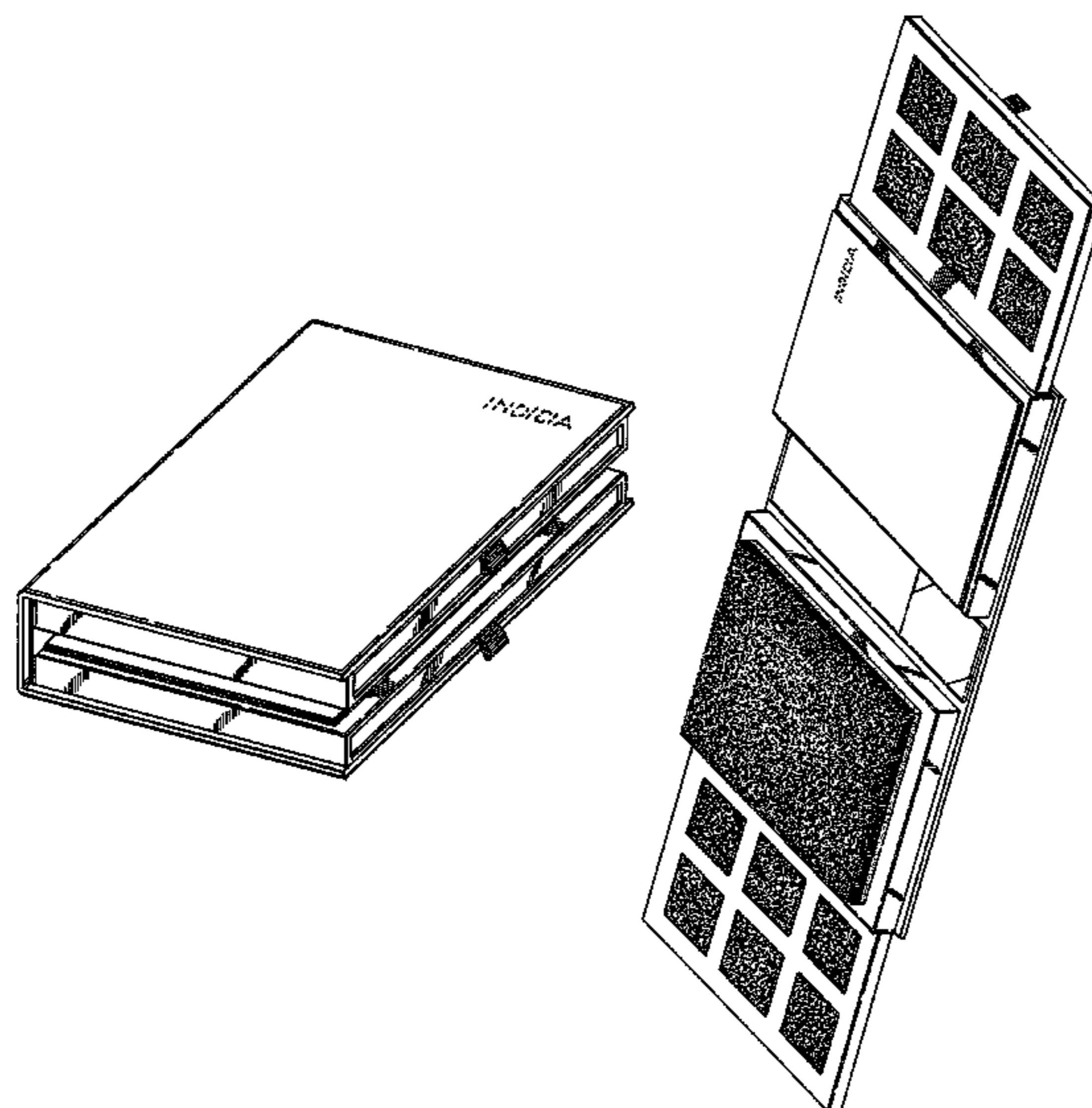
FIG. 16 is a plan view showing the other end of my design with the folder open and the slidable members extended; and,

FIG. 17 is a plan view showing the bottom of my design with the folder open and slidable members extended, the top being the mirror image thereof.

The dark stippled areas in the drawings represent texture.

The word “indicia” shown in broken lines in the drawings is a feature of the design that forms no part of the claim.

1 Claim, 9 Drawing Sheets



US D622,503 S

Page 2

U.S. PATENT DOCUMENTS

1,466,876	A *	9/1923	Gheen	40/476	D291,209	S *	8/1987	Nava	D19/26
1,740,327	A *	12/1929	Baker	206/45.28	4,919,259	A *	4/1990	Beaulieu	206/45.2
1,878,813	A *	9/1932	Block et al.	206/450	5,087,145	A *	2/1992	Cooley	402/79
2,121,246	A *	6/1938	Gordon	434/367	D334,587	S *	4/1993	Steinert	D19/26
2,239,145	A *	4/1941	Doner	281/15.1	5,375,936	A *	12/1994	Jennison et al.	402/73
D165,890	S *	2/1952	Weissman	D3/294	5,524,998	A *	6/1996	Schwartz	402/79
3,185,308	A *	5/1965	Howard	211/45	D376,176	S *	12/1996	Buraczynski	D19/26
3,514,875	A *	6/1970	Howard	206/472	5,639,532	A *	6/1997	Wells	428/95
3,775,870	A *	12/1973	Griggs et al.	206/472	5,653,333	A *	8/1997	Webster	206/45.2
D232,399	S *	8/1974	Miles, Jr.	D6/409	D412,616	S *	8/1999	Livingston	D3/276
3,851,762	A *	12/1974	Liblick	206/425	6,139,210	A *	10/2000	Nelson et al.	402/79
D245,944	S *	9/1977	Benson	D3/274	6,186,327	B1 *	2/2001	Hadden	206/472
4,120,397	A *	10/1978	Neumann	206/370	6,253,922	B1 *	7/2001	Hadden	206/733
D264,602	S *	5/1982	Plutsky	D19/26	6,267,413	B1 *	7/2001	Tran	281/29
4,542,827	A *	9/1985	Pilzer	206/483	D527,900	S *	9/2006	Dewa et al.	D3/299
D287,913	S *	1/1987	Knight et al.	D6/409	D548,782	S *	8/2007	Nash	D19/26
					2002/0056657	A1 *	5/2002	Beneroff et al.	206/472

* cited by examiner

Fig. 1

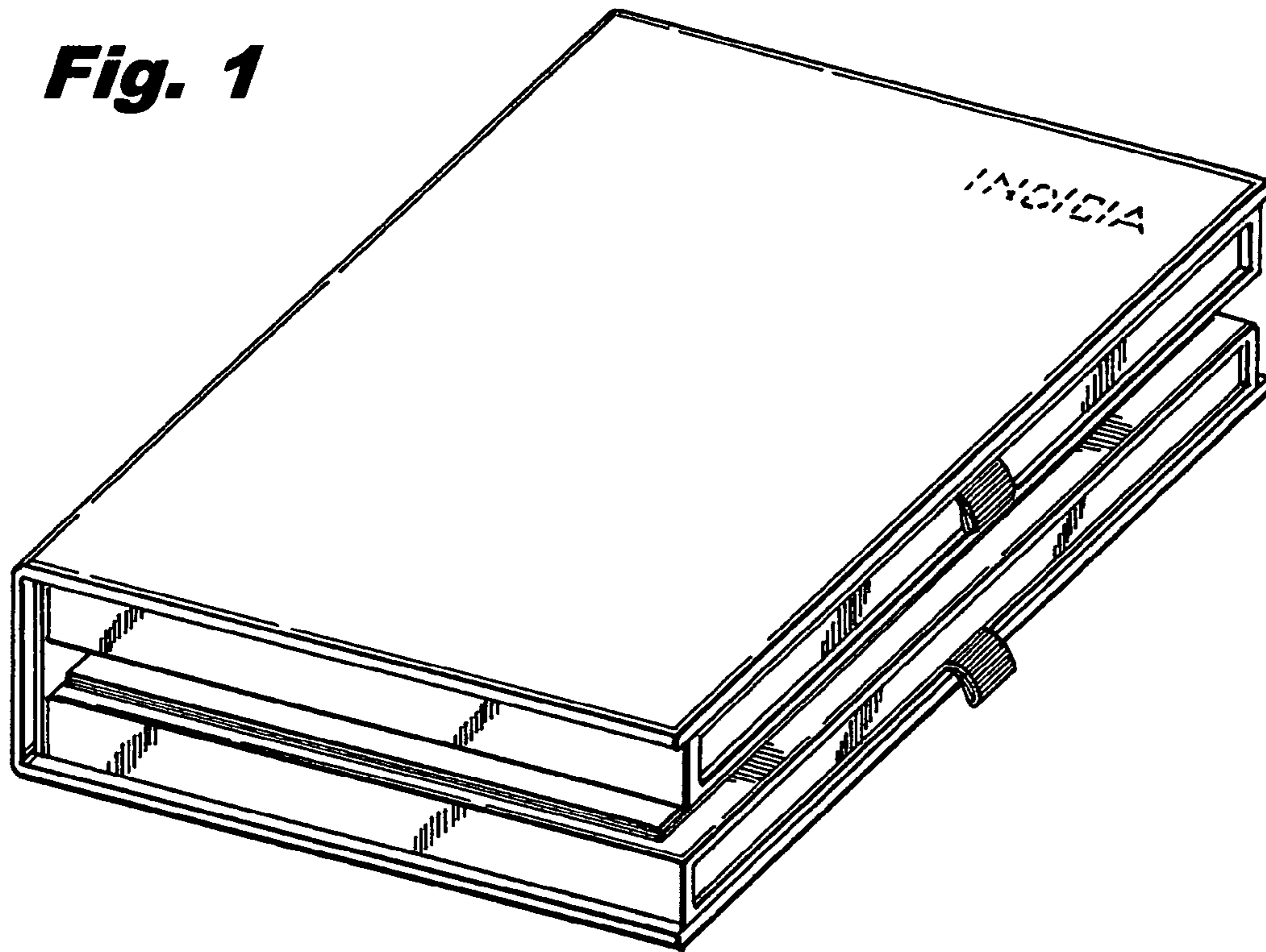
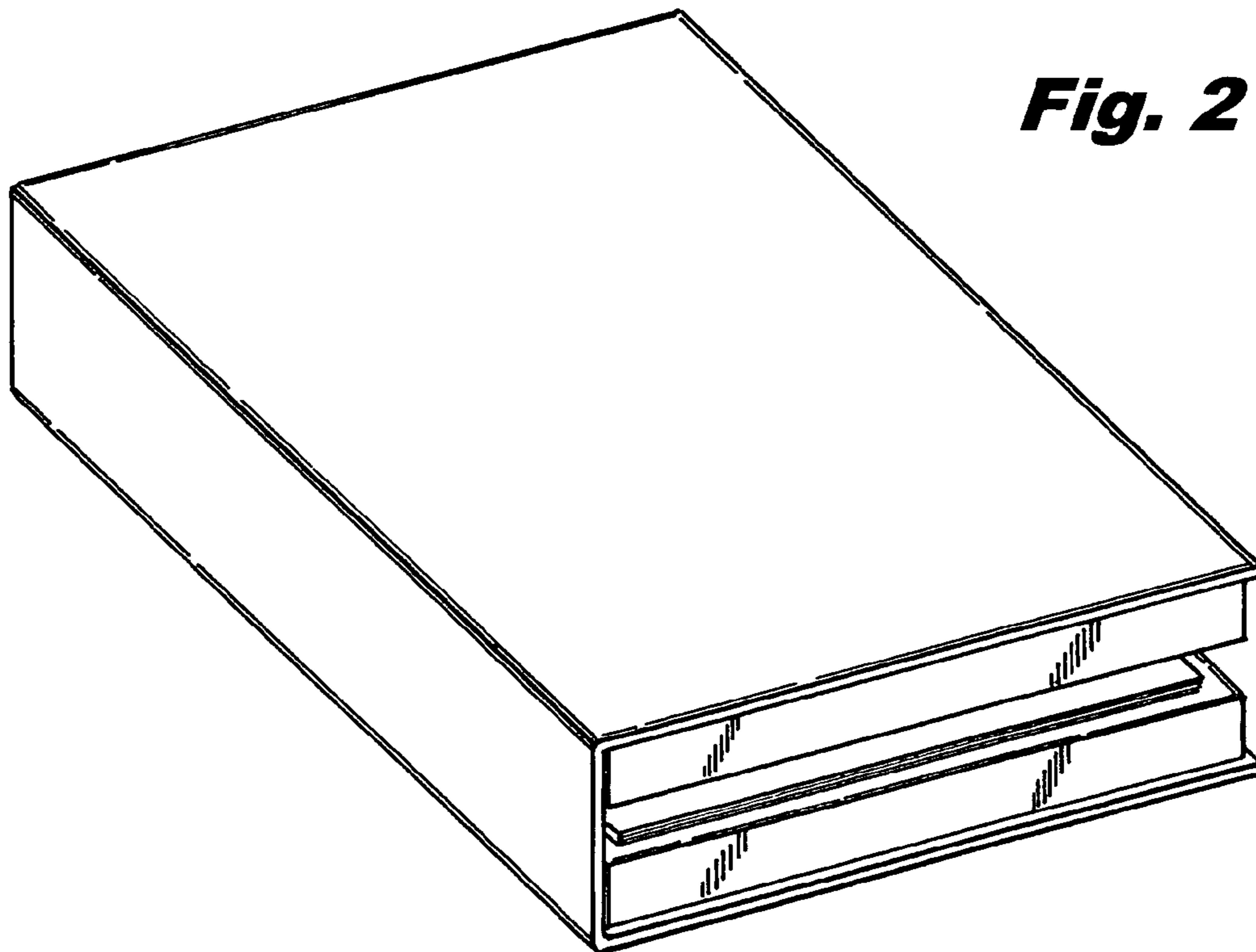


Fig. 2



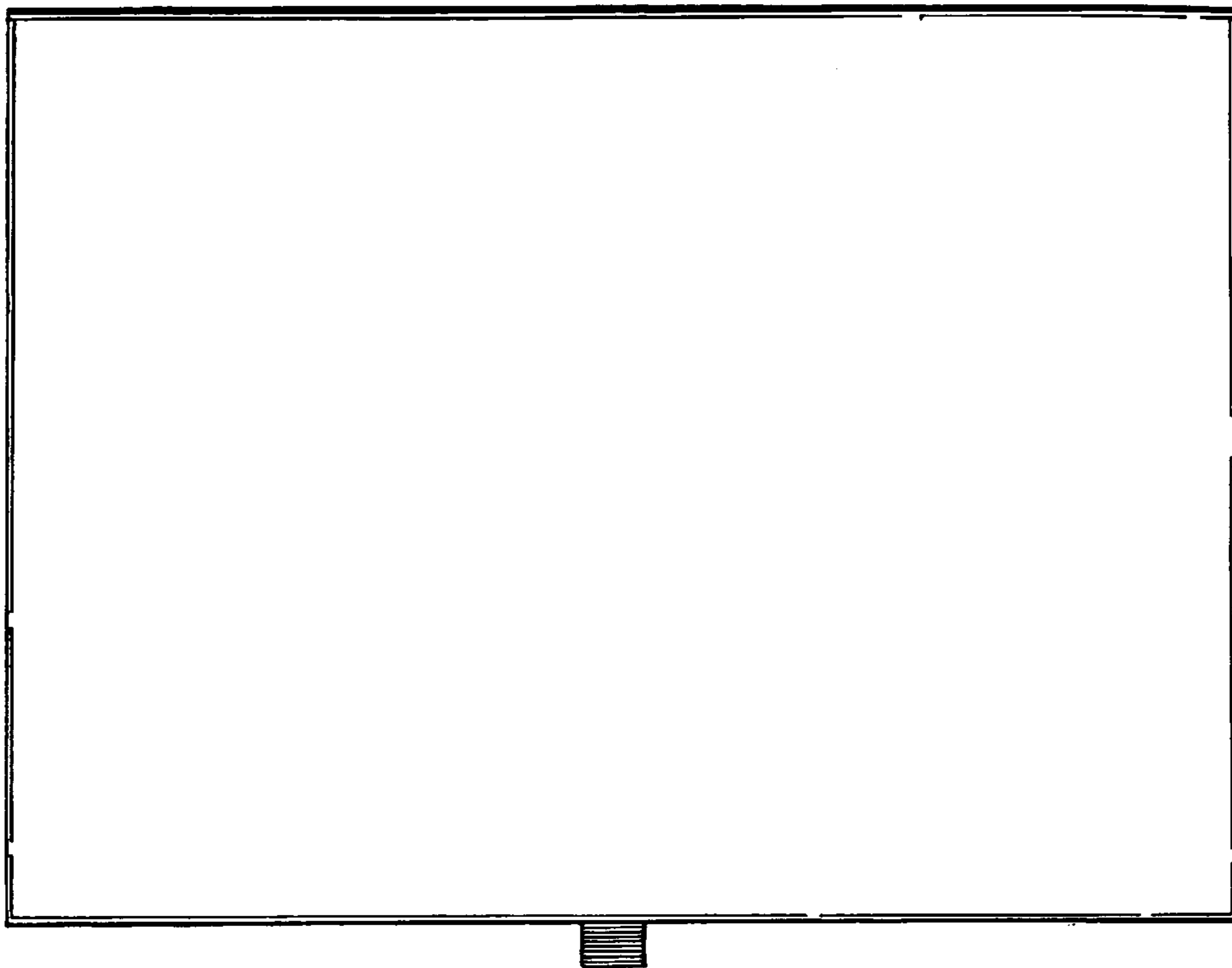


Fig. 4

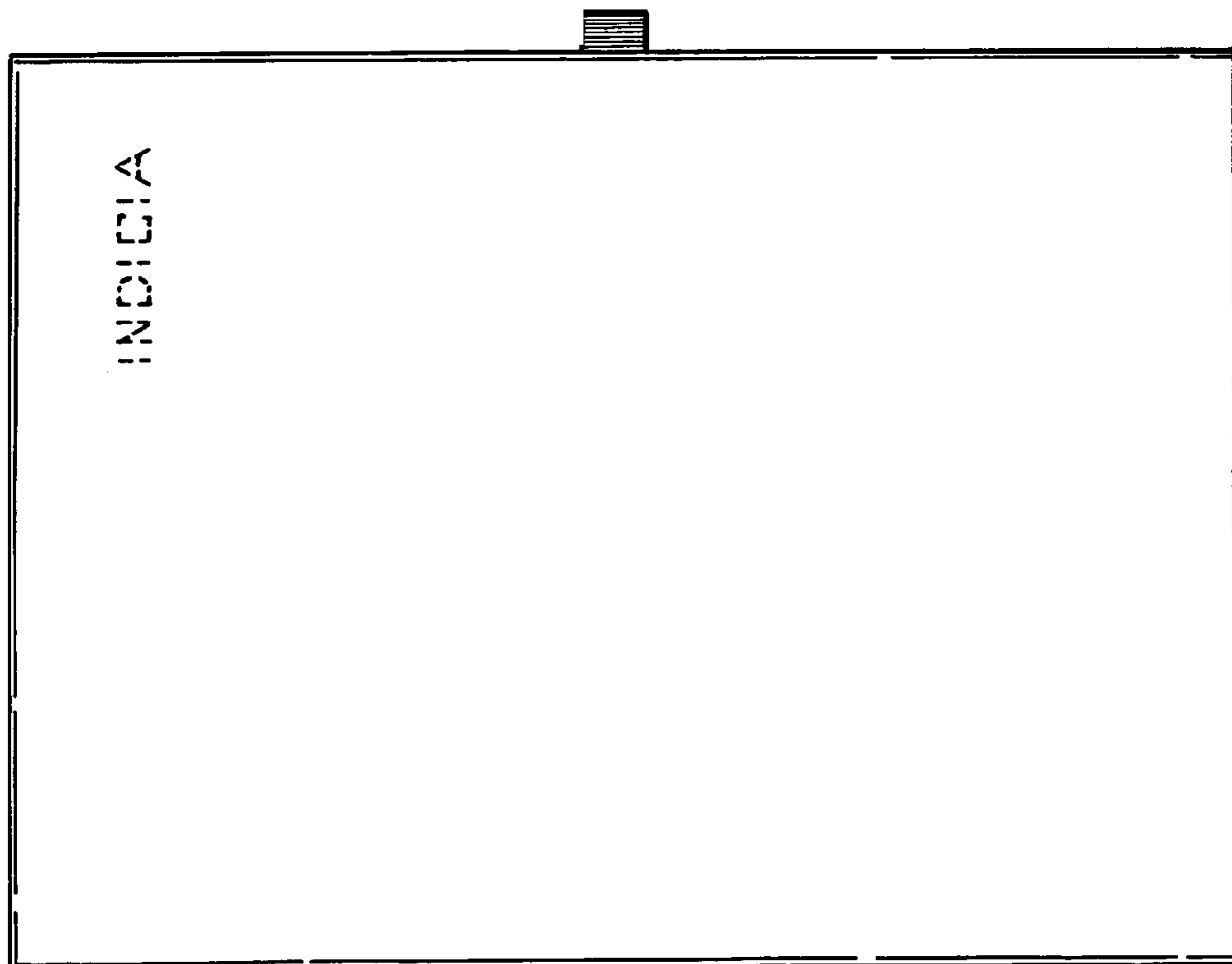


Fig. 3

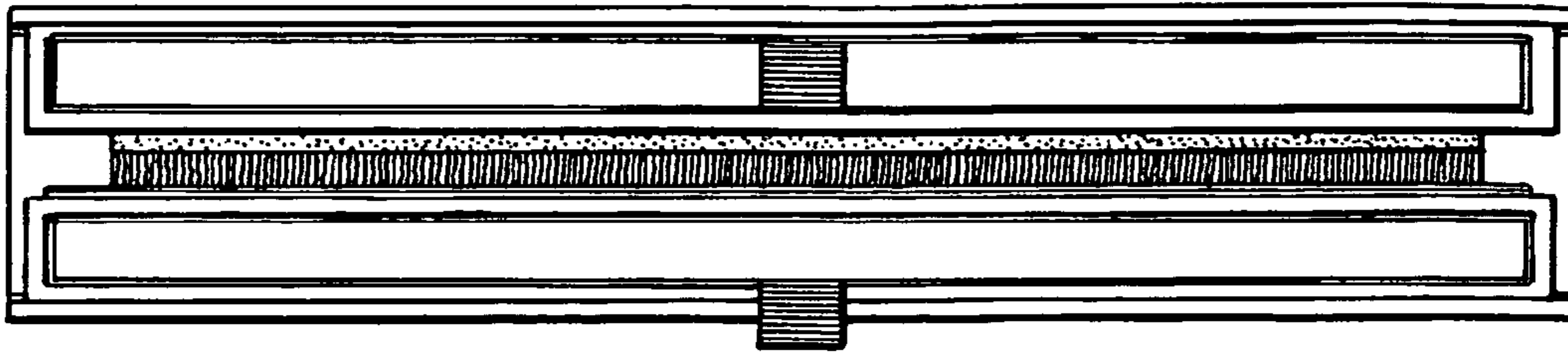


Fig. 5

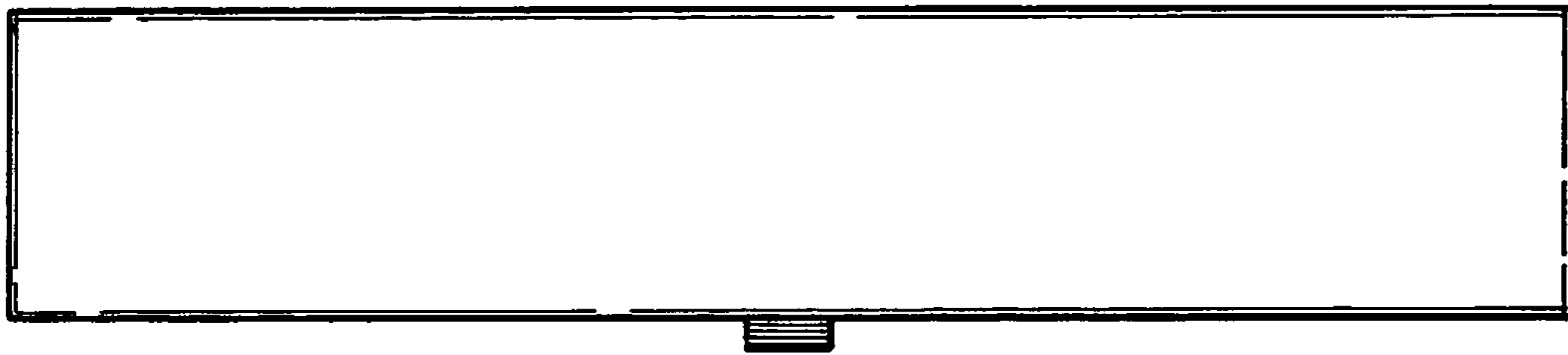


Fig. 6

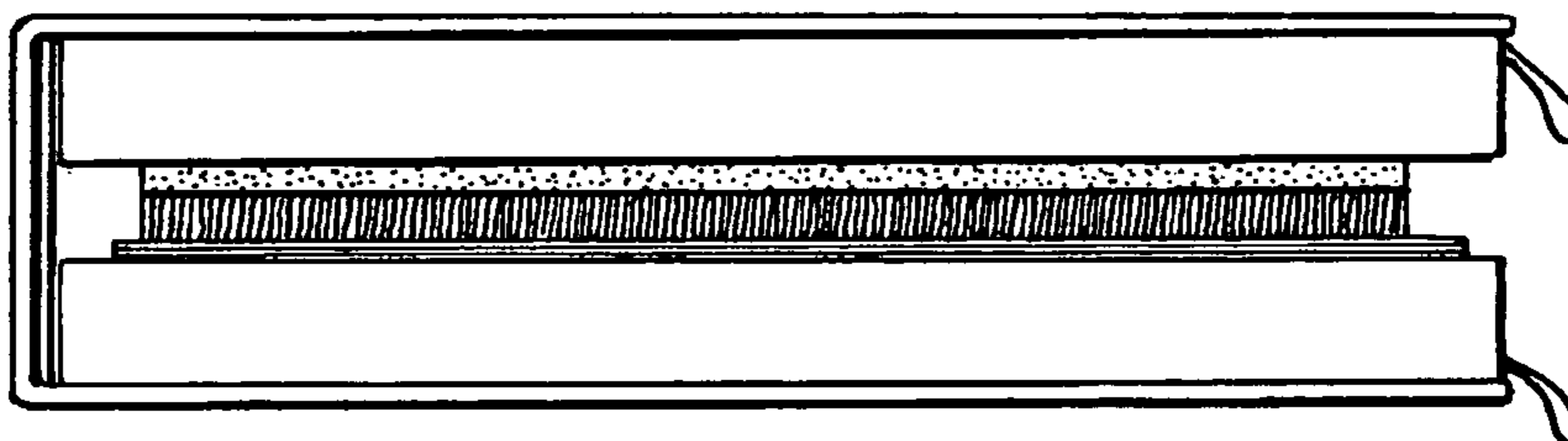
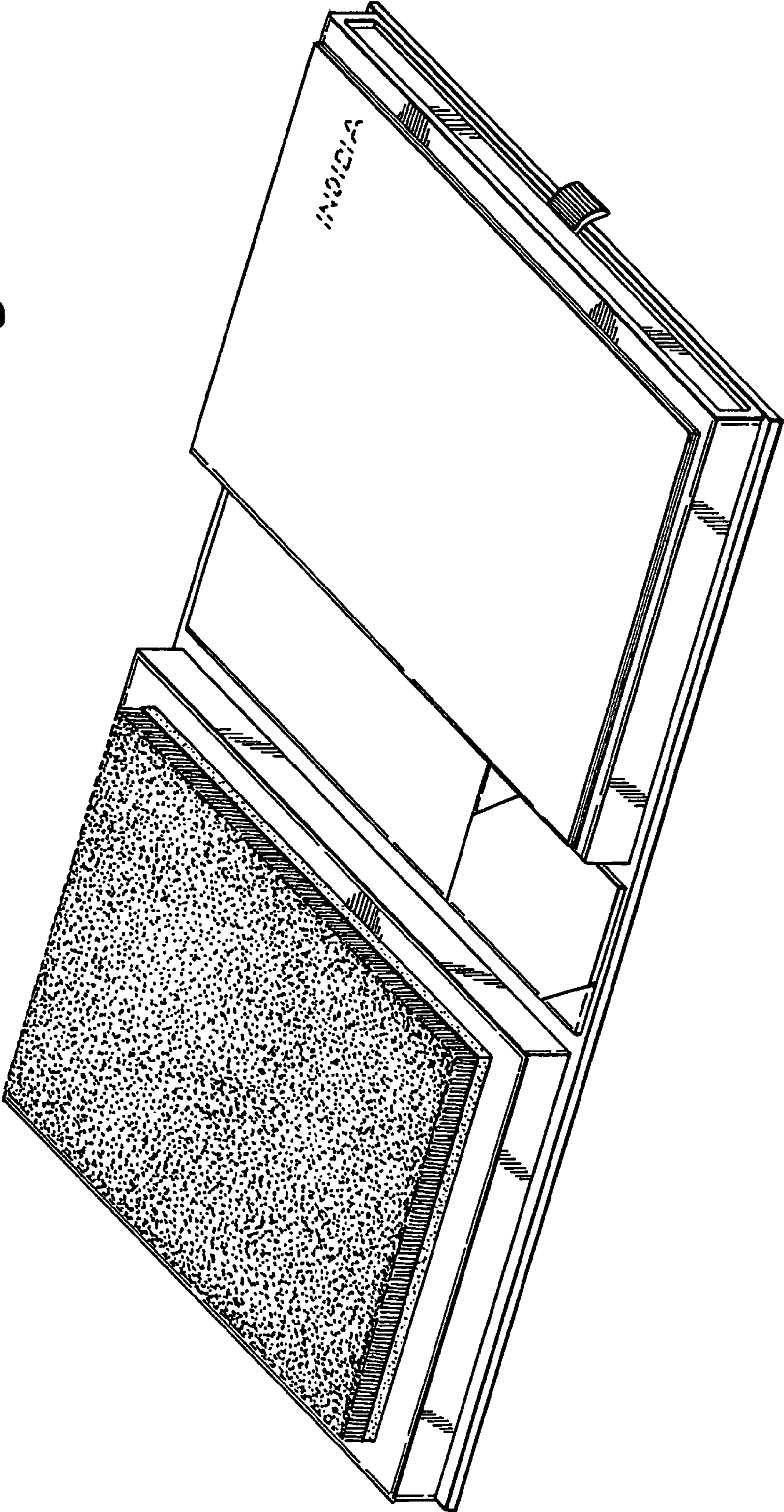


Fig. 7

Fig. 8



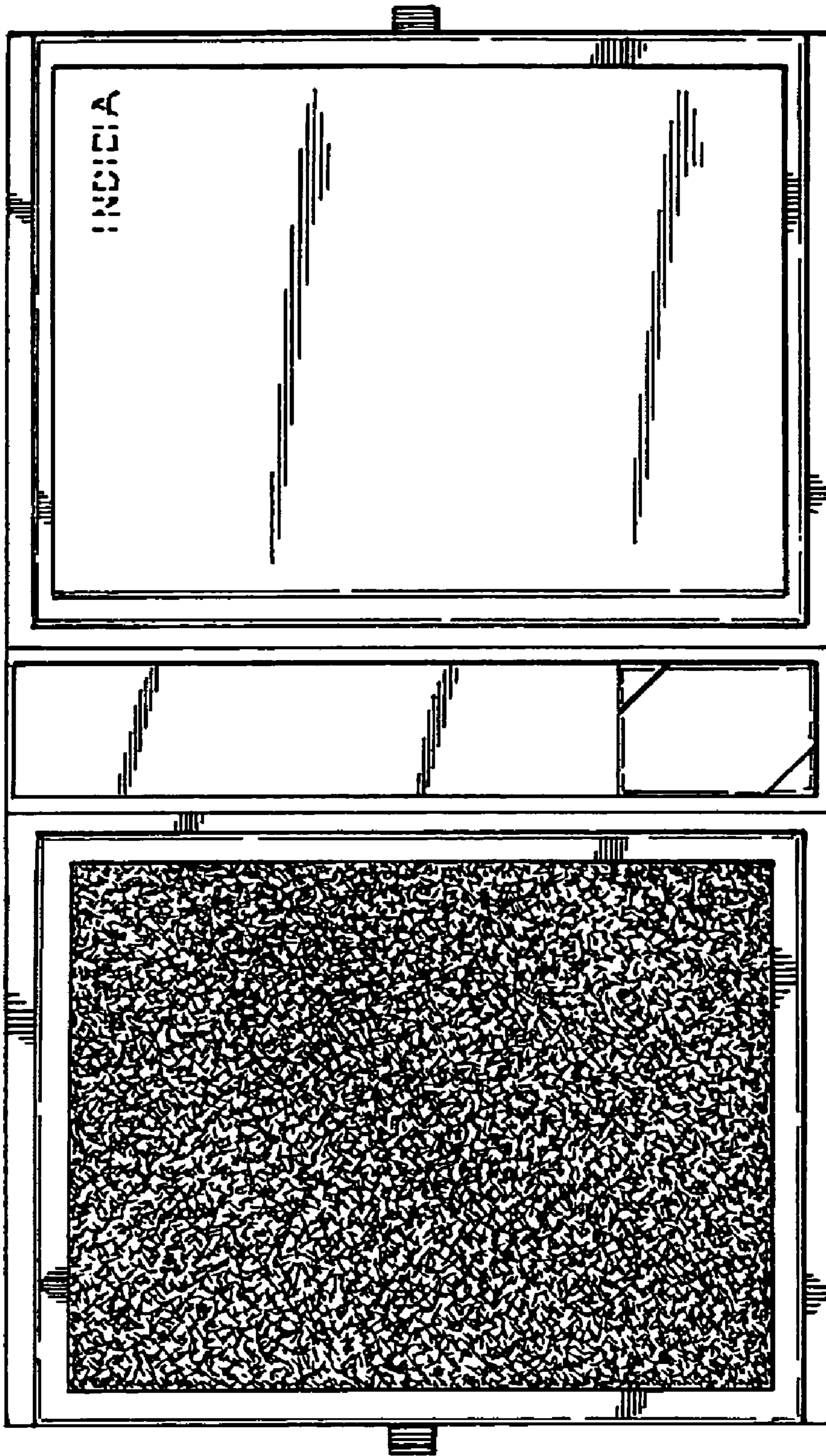


Fig. 9



Fig. 10



Fig. 11

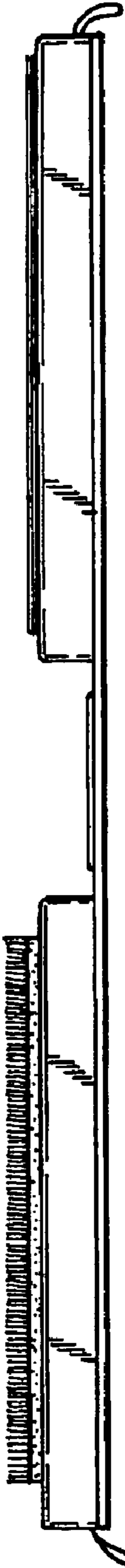
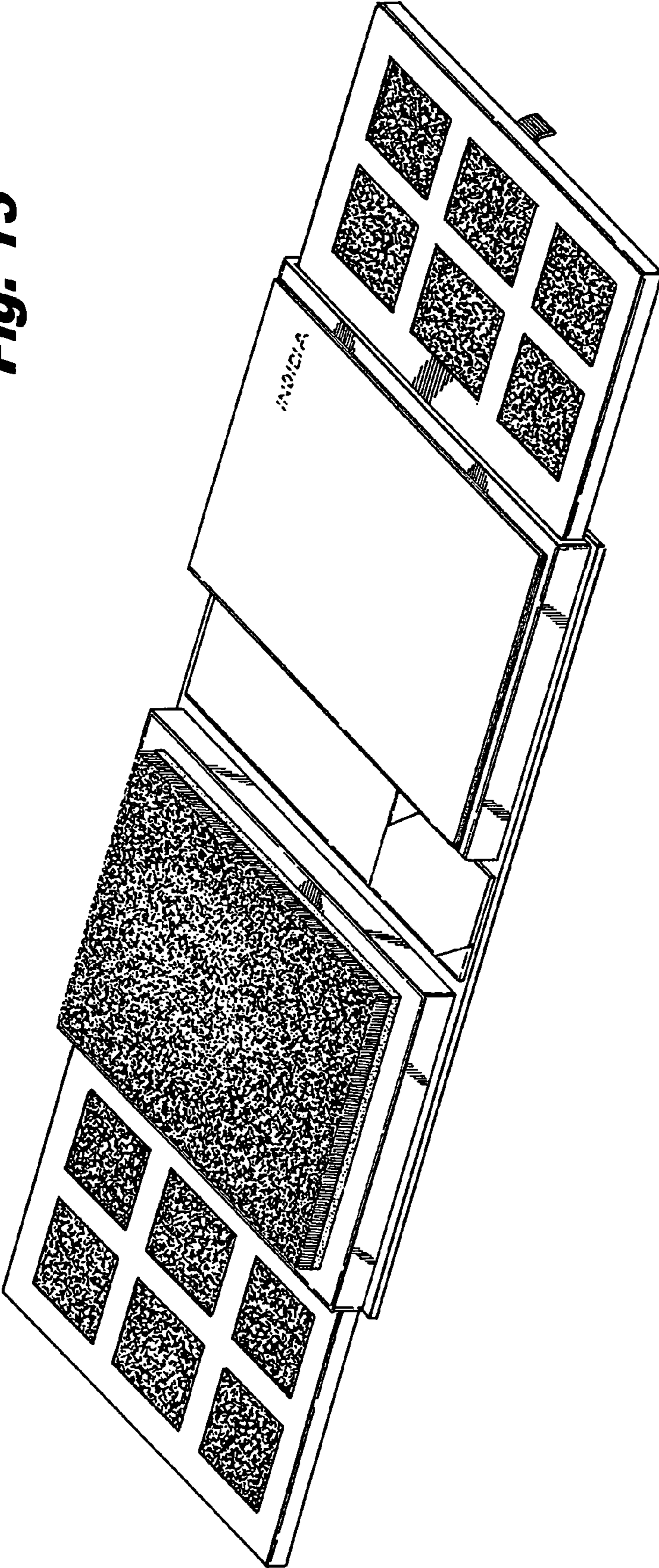


Fig. 12

Fig. 13



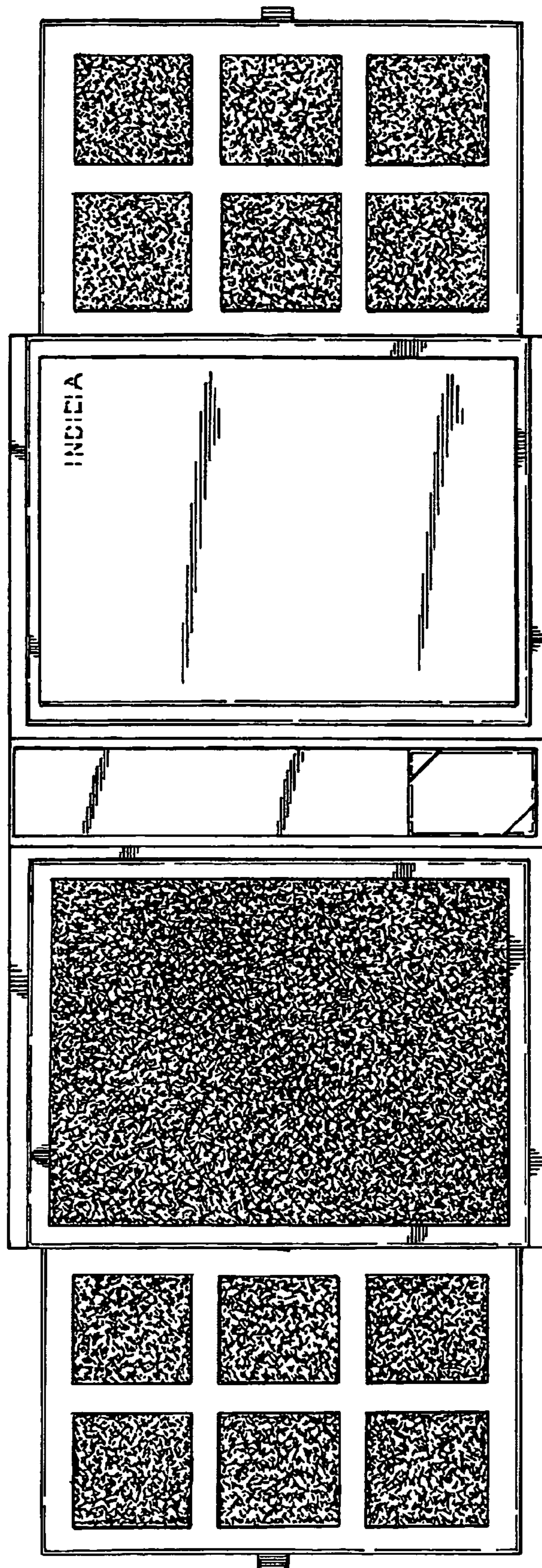


Fig. 14



Fig. 15

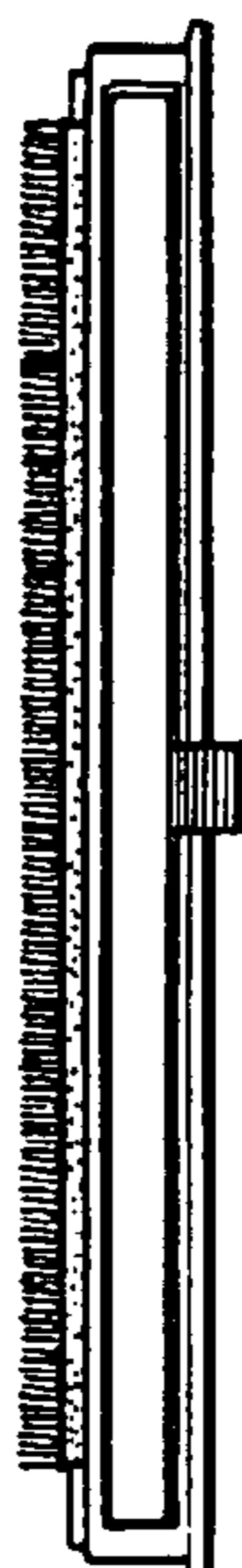


Fig. 16

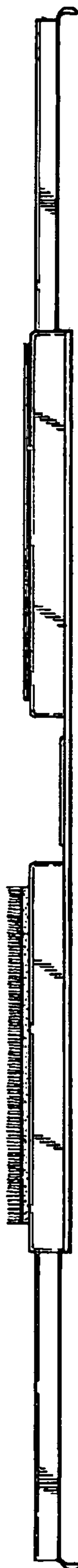


Fig. 17