



US00D622500S

(12) **United States Design Patent**
Pho

(10) **Patent No.:** **US D622,500 S**

(45) **Date of Patent:** **** Aug. 31, 2010**

(54) **BACKPACK**

(75) **Inventor:** **Ashley Perry Zang Wentz Pho,**
Winchester, VA (US)

(73) **Assignee:** **Rubbermaid Commercial Products,**
LLC, Winchester, VA (US)

(**) **Term:** **14 Years**

(21) **Appl. No.:** **29/356,415**

(22) **Filed:** **Feb. 25, 2010**

Related U.S. Application Data

(62) Division of application No. 29/340,338, filed on Jul. 16, 2009, now Pat. No. Des. 613,497.

(51) **LOC (9) Cl.** **03-01**

(52) **U.S. Cl.** **D3/216; D3/217**

(58) **Field of Classification Search** **D2/830;**
D3/214, 215, 216, 217, 270; 224/153, 577,
224/578, 148.2; 222/105, 175, 529

See application file for complete search history.

(56) **References Cited**

U.S. PATENT DOCUMENTS

2,684,787	A *	7/1954	Charpiat	222/175
4,095,726	A *	6/1978	Hechler et al.	222/175
5,403,123	A *	4/1995	Walters	405/186
5,693,412	A *	12/1997	Walters	428/317.1
5,727,714	A *	3/1998	Fawcett	222/175
5,806,726	A *	9/1998	Ho	222/529
D400,252	S *	10/1998	Ropiak et al.	D24/118
5,816,457	A *	10/1998	Croft	224/148.2
D411,915	S *	7/1999	George	D3/202
6,039,305	A *	3/2000	Hoskins et al.	251/342
D426,698	S *	6/2000	Chiapperini et al.	D7/305
6,247,619	B1 *	6/2001	Gill et al.	222/105
6,302,303	B1 *	10/2001	Reynolds	222/175
6,497,348	B2 *	12/2002	Forsman et al.	224/148.2
D485,678	S *	1/2004	Haro	D3/217

6,722,533 B2 * 4/2004 Skillern 222/175

D505,540 S * 5/2005 Lien D3/202

6,892,915 B2 * 5/2005 Mares 224/630

D517,308 S * 3/2006 Khalifa D3/202

(Continued)

OTHER PUBLICATIONS

High Sierra Sport Company, Website: <http://www.highsierrasport.com/item?number=68001&lang=en>; visited Feb. 24, 2009 (2 pages).

Primary Examiner—Celia A Murphy

(74) *Attorney, Agent, or Firm*—Moore & Van Allen PLLC; Matthew W. Witsil

(57) **CLAIM**

The ornamental design for a backpack, as shown and described.

DESCRIPTION

FIG. 1 is a perspective view of a backpack showing an embodiment of my new design;

FIG. 2 is a front view of the backpack as shown in FIG. 1;

FIG. 3 is a rear view of the backpack as shown in FIG. 1;

FIG. 4 is a right side view of the backpack as shown in FIG. 1;

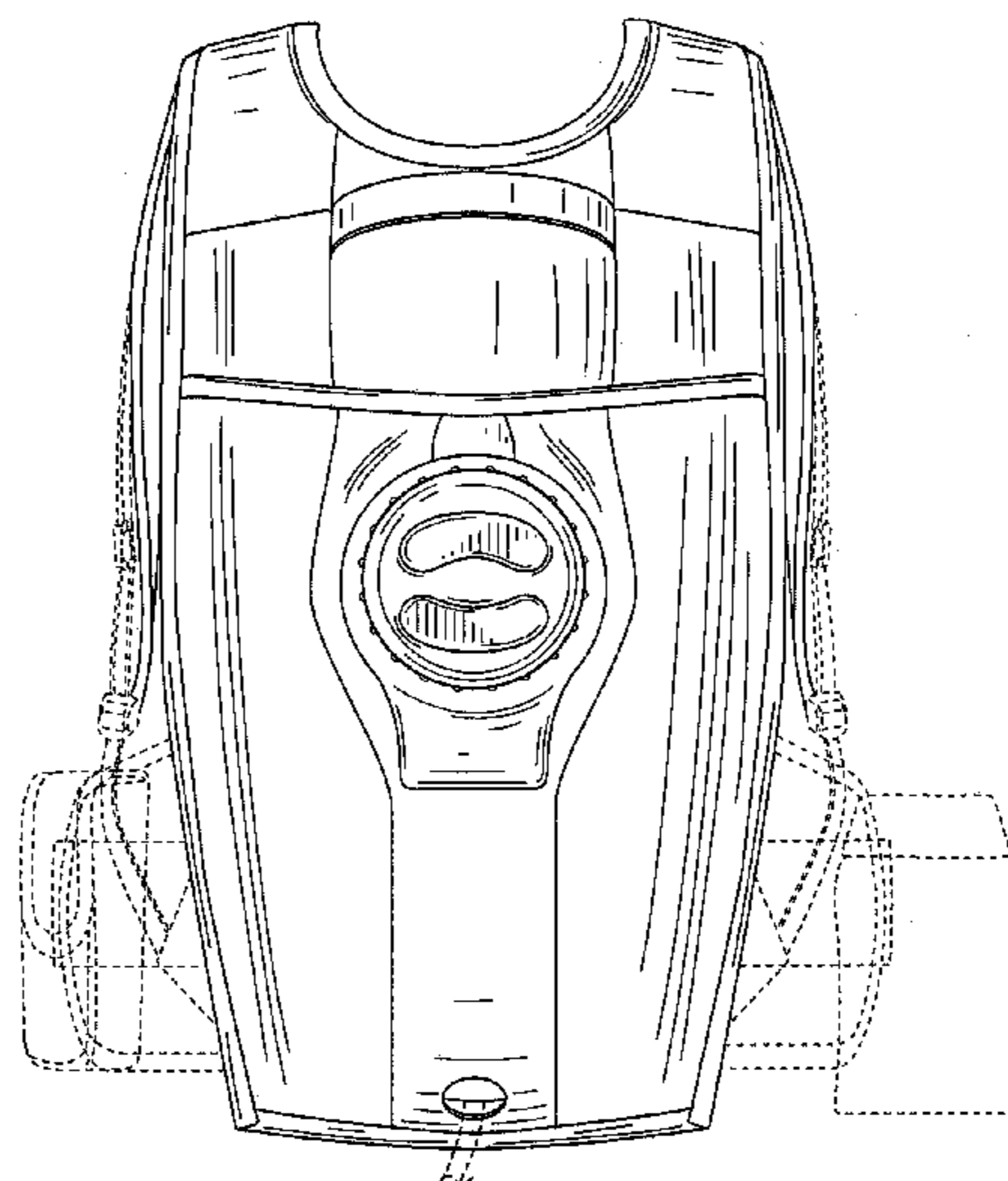
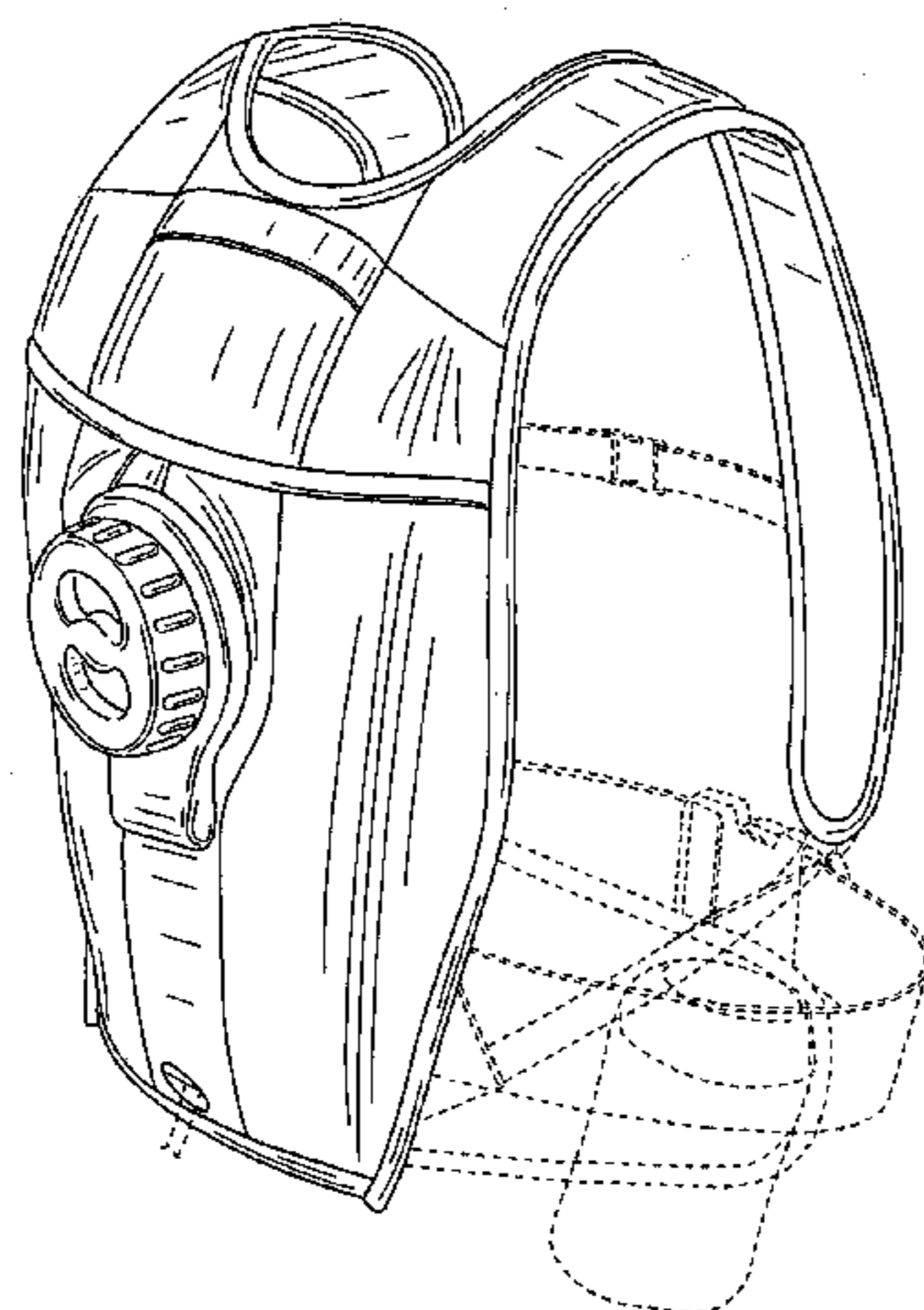
FIG. 5 is a left side view of the backpack as shown in FIG. 1;

FIG. 6 is a top view of the backpack as shown in FIG. 1; and,

FIG. 7 is a bottom view of the backpack as shown in FIG. 1.

Any broken line illustration of environmental structure in the drawings and selected other features that may be shown as attached to the claimed design is for illustrative purposes only and forms no part of the claimed design.

1 Claim, 7 Drawing Sheets



US D622,500 S

Page 2

U.S. PATENT DOCUMENTS

7,165,705	B2 *	1/2007	Haro	224/629	D613,497	S *	4/2010	Pho	D3/216
D539,027	S *	3/2007	Gressock et al.	D3/202	2004/0178235	A1 *	9/2004	Forsman et al.	224/148.2
D539,524	S *	4/2007	McKinney et al.	D3/202	2004/0217117	A1 *	11/2004	Lien	220/375
D582,788	S *	12/2008	Smith	D9/704	2005/0035130	A1 *	2/2005	Forsman et al.	220/705
7,490,740	B2 *	2/2009	Robins et al.	222/175	2005/0061840	A1 *	3/2005	Forsman et al.	224/148.2
7,600,656	B2 *	10/2009	Karl et al.	222/175	2005/0072804	A1 *	4/2005	Brown	222/175

* cited by examiner

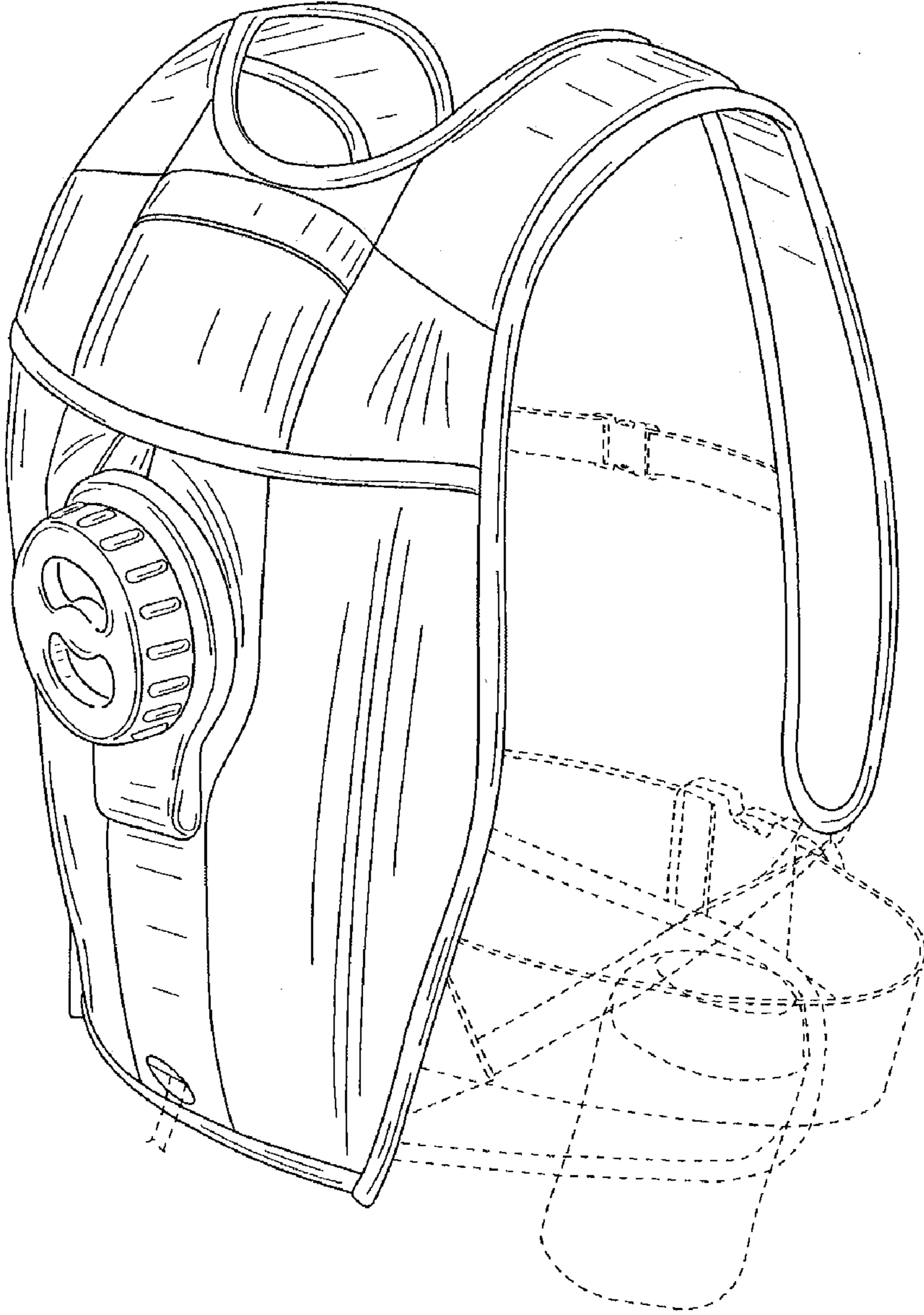


FIG. 1

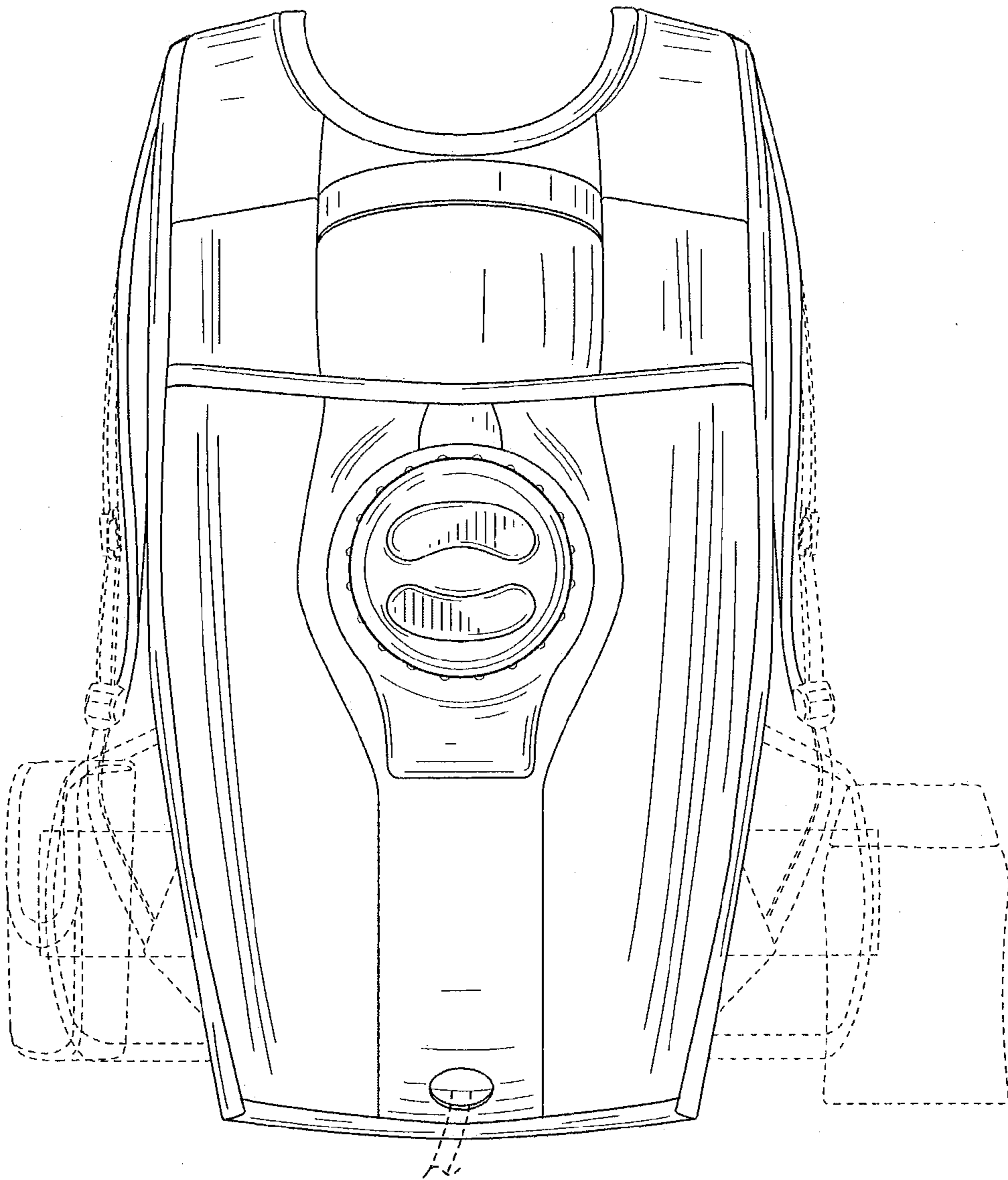
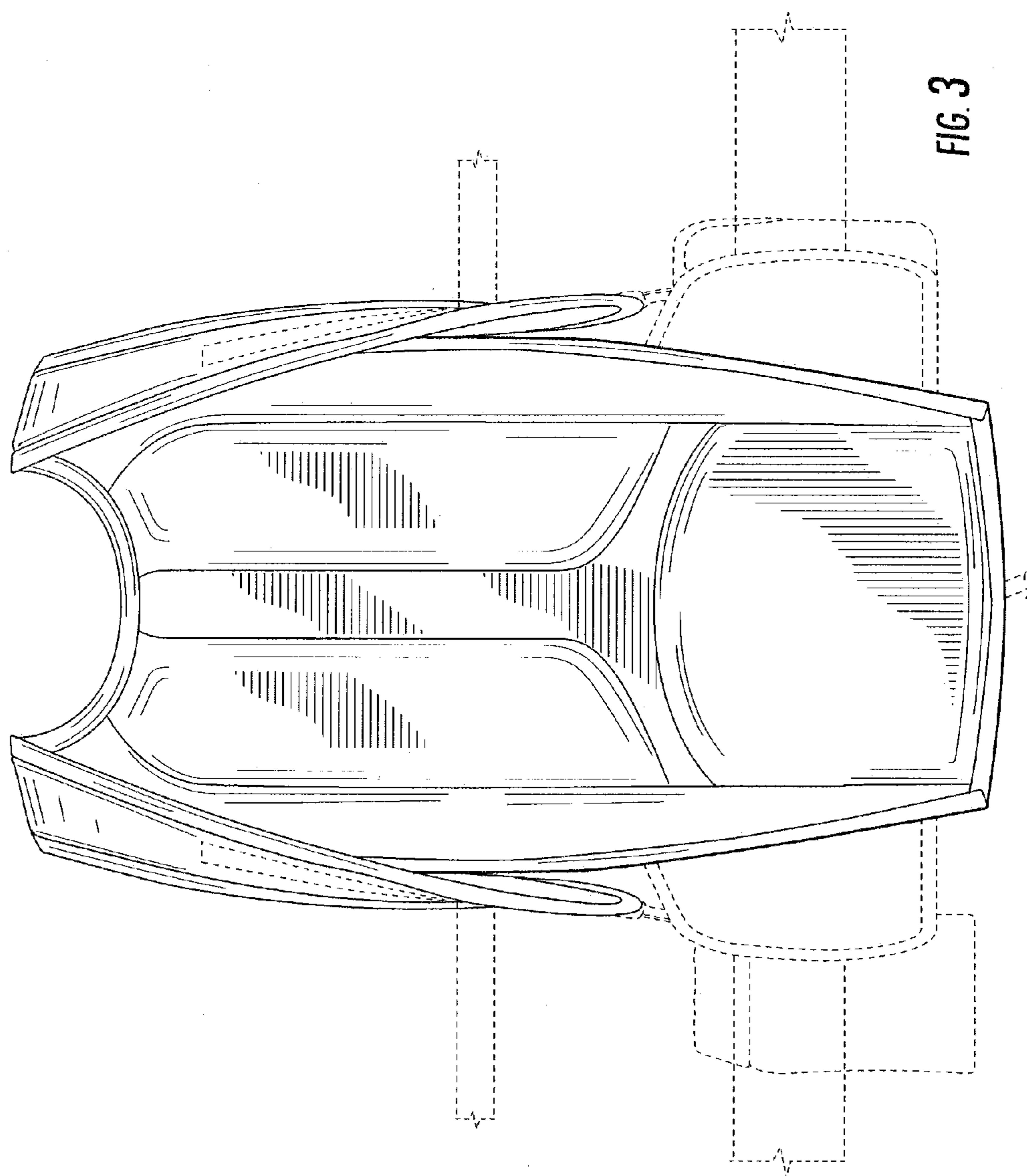


FIG. 2



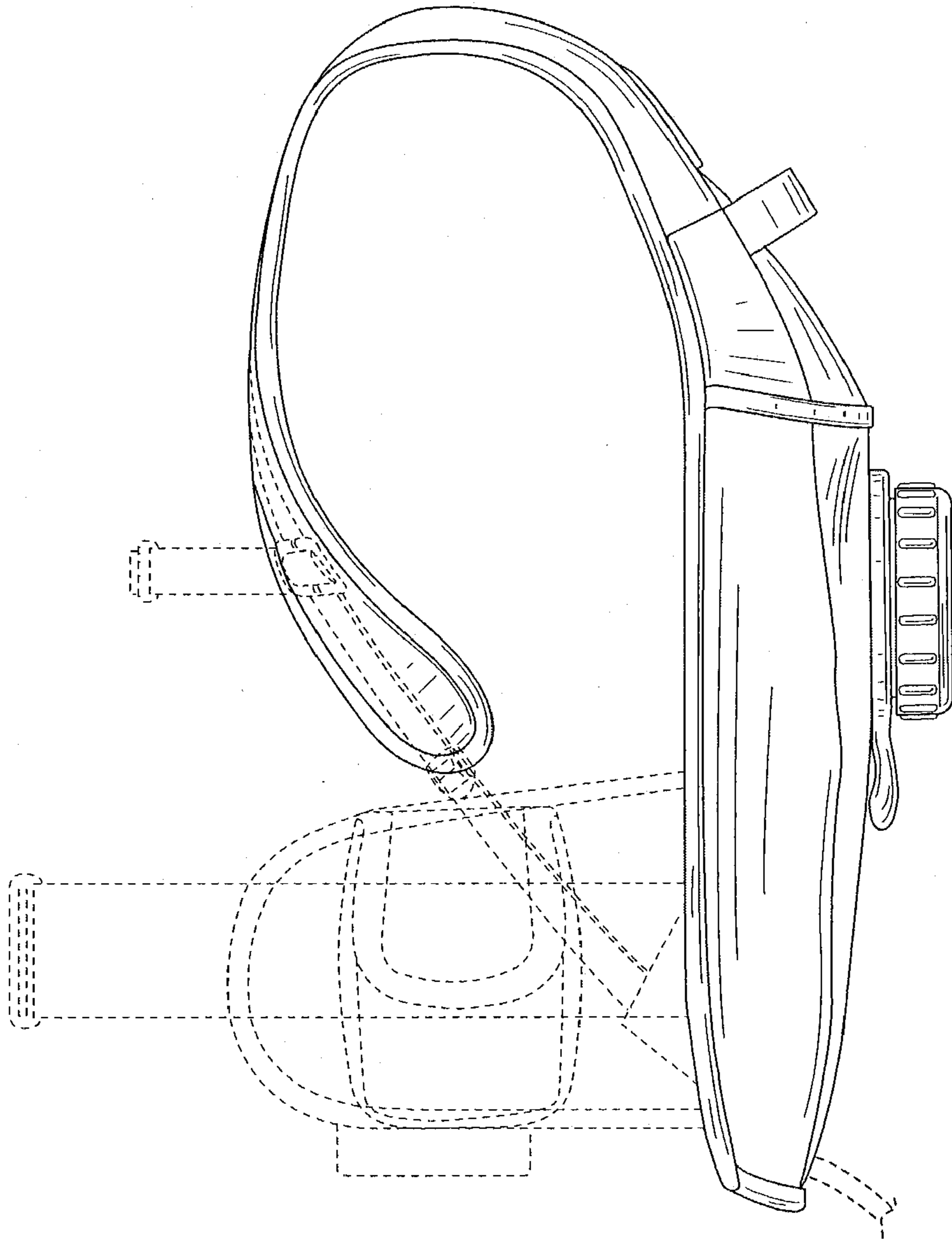


FIG. 4

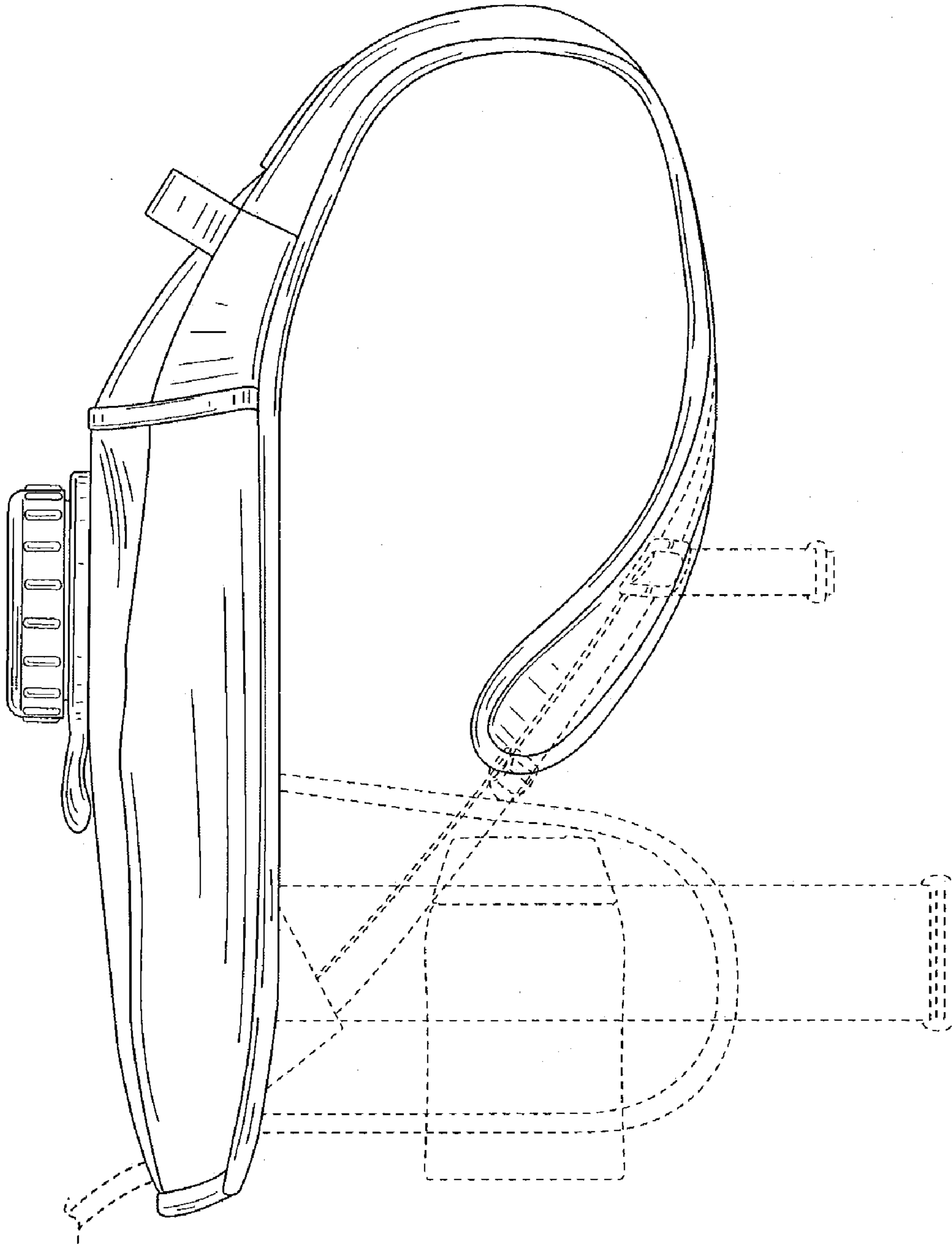


FIG. 5

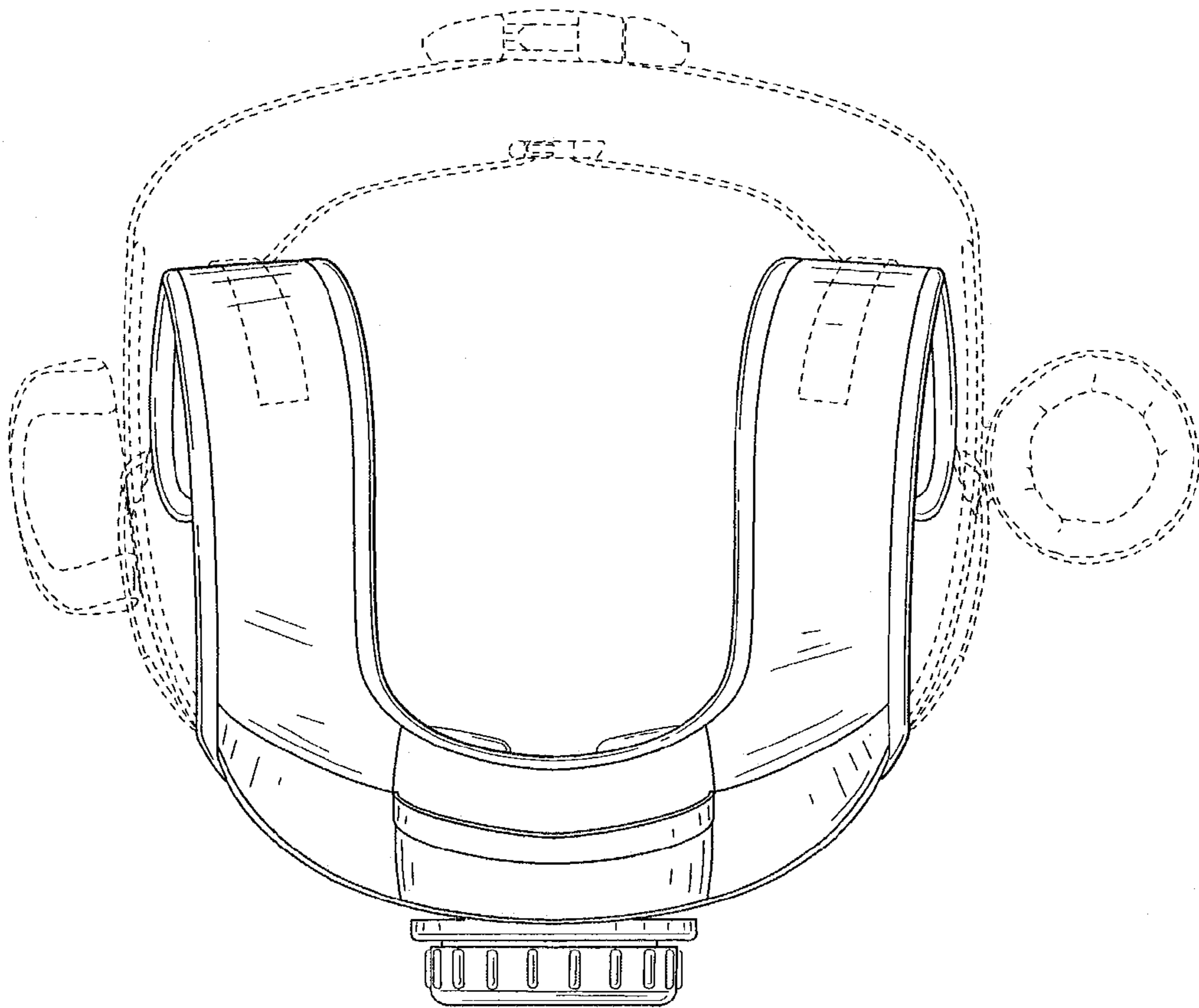


FIG. 6

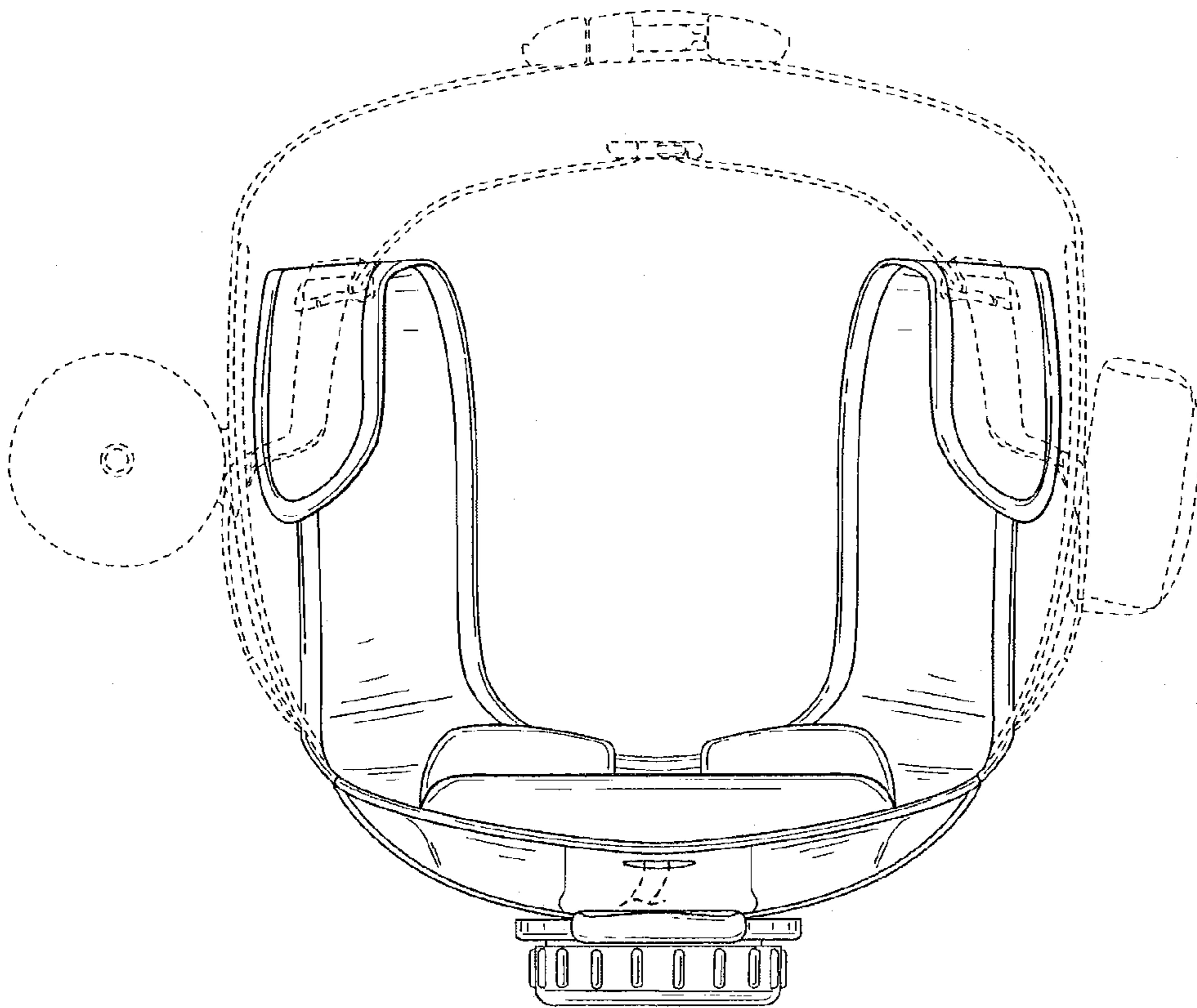


FIG. 7