



US00D622499S

(12) **United States Design Patent**
Sprada et al.

(10) **Patent No.:** **US D622,499 S**

(45) **Date of Patent:** **** Aug. 31, 2010**

(54) **TABLET DISPENSER**

D601,337 S * 10/2009 Hale D3/203.2

(75) Inventors: **John Peter Sprada**, London (GB);
Robert Prasser, Guttaring (AT)

* cited by examiner

(73) Assignee: **Merck Serono SA**, Coinsins (CH)

Primary Examiner—Catherine R Oliver

(74) *Attorney, Agent, or Firm*—Young & Thompson

(**) Term: **14 Years**

(57) **CLAIM**

(21) Appl. No.: **29/356,957**

The ornamental design for a tablet dispenser, as shown and described.

(22) Filed: **Mar. 4, 2010**

DESCRIPTION

(30) **Foreign Application Priority Data**

Sep. 8, 2009 (WO) DM/072 289

FIG. 1 is a top plan view of the tablet dispenser showing our new design;

(51) **LOC (9) Cl.** **03-01**

FIG. 2 is a bottom plan view thereof;

(52) **U.S. Cl.** **D3/203.2**

FIG. 3 is a side elevation view thereof;

(58) **Field of Classification Search** D3/203.1–203.6,
D3/201, 205; 206/528–540; D9/730–732

FIG. 4 is an opposite side elevation view thereof;

FIG. 5 is a front elevation view thereof;

See application file for complete search history.

FIG. 6 is a rear elevation view thereof;

FIG. 7 is a top perspective view of the tablet dispenser shown in a closed position;

(56) **References Cited**

U.S. PATENT DOCUMENTS

D468,524 S * 1/2003 Sinton et al. D3/203.2
D497,103 S * 10/2004 Malloy et al. D3/203.2
D508,312 S * 8/2005 Roche et al. D3/203.2
D593,316 S * 6/2009 Ruwiel D3/203.2

FIG. 8 is a top perspective view of the tablet dispenser shown in an open position; and,

FIG. 9 is a bottom perspective view of the tablet dispenser shown in an open position.

1 Claim, 3 Drawing Sheets

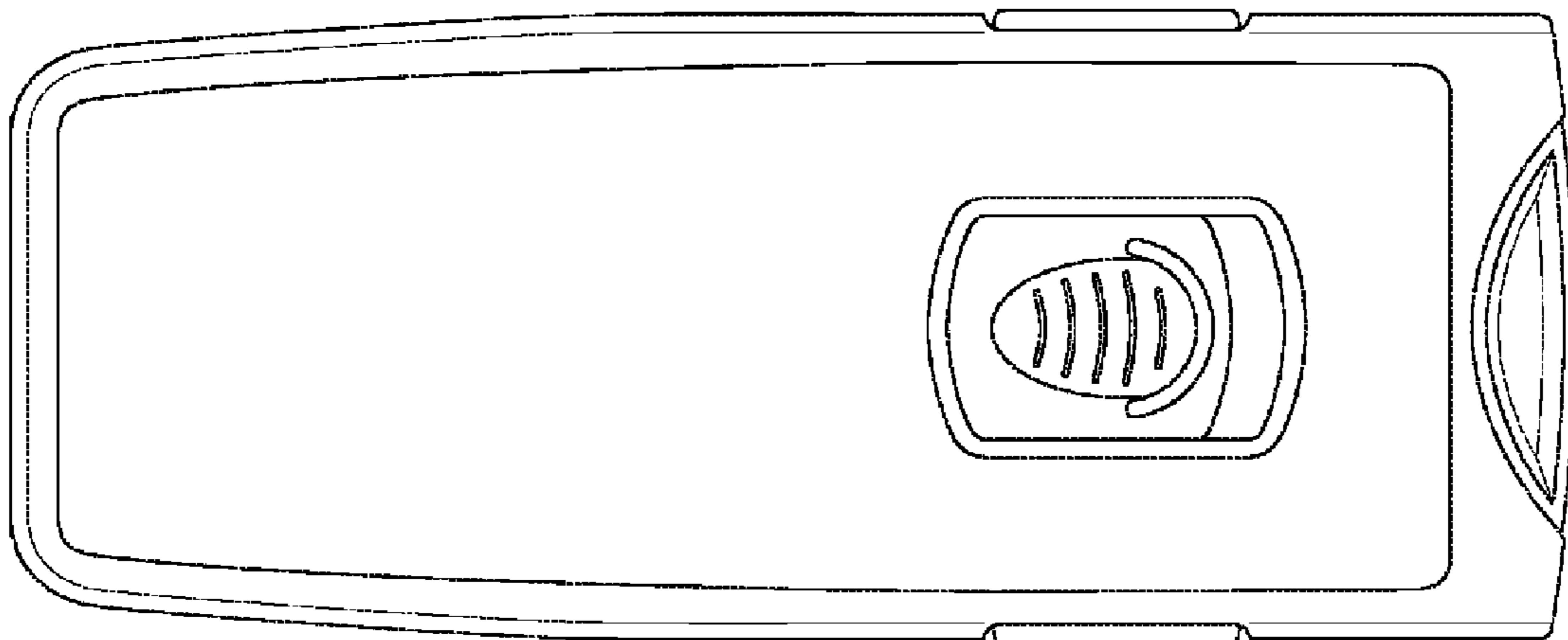


fig.1

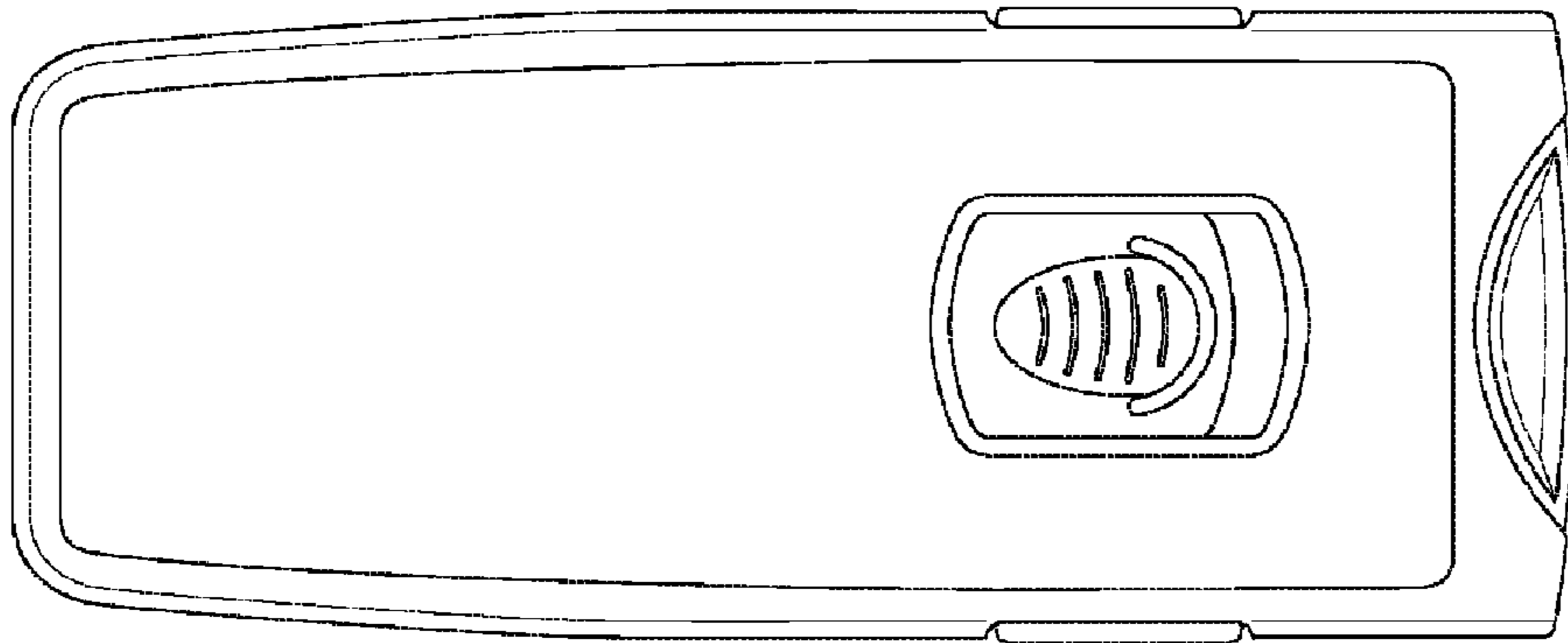


fig.2

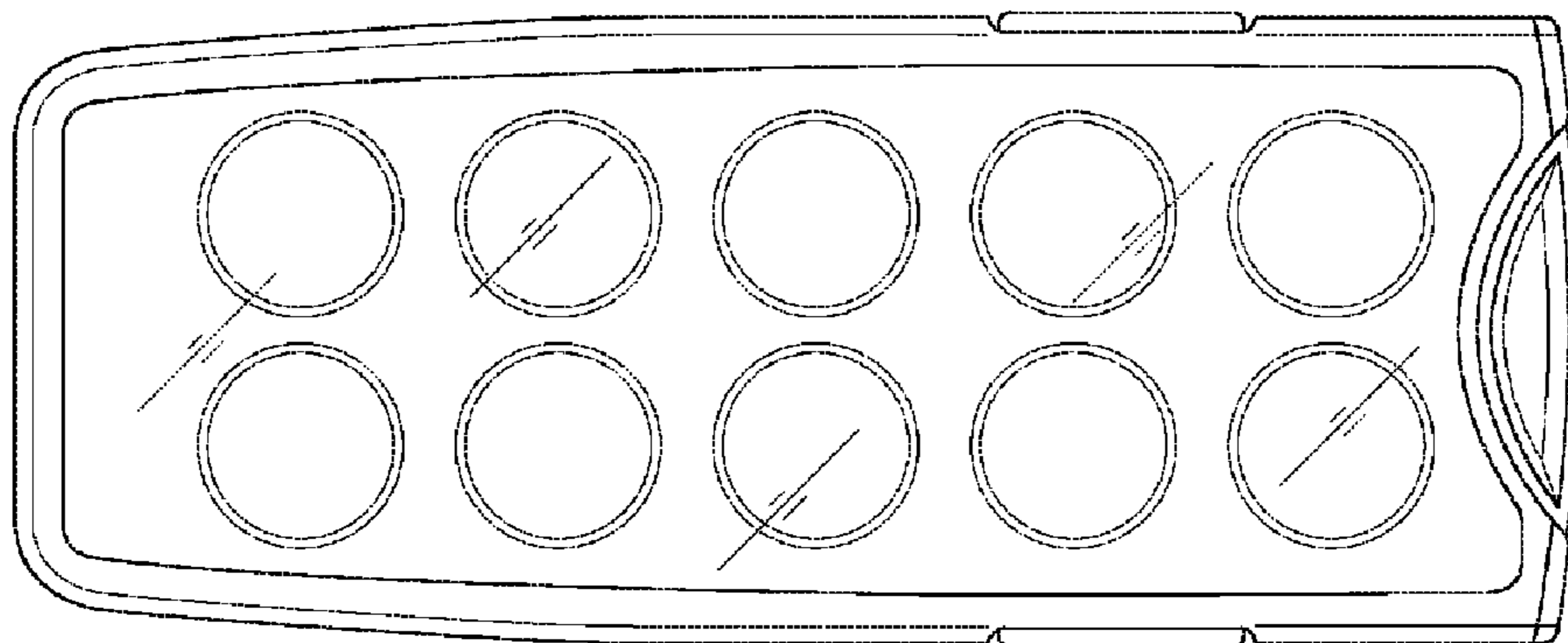


fig.3

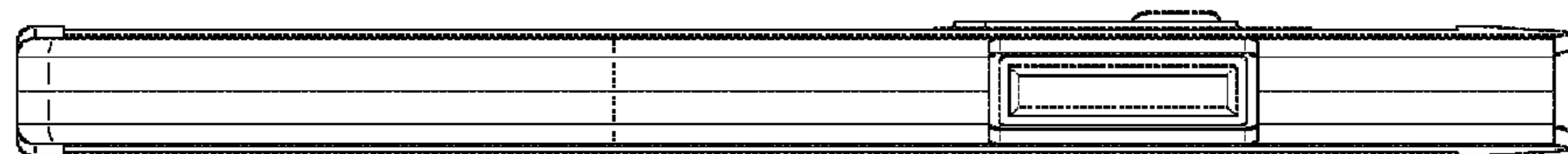


fig.4

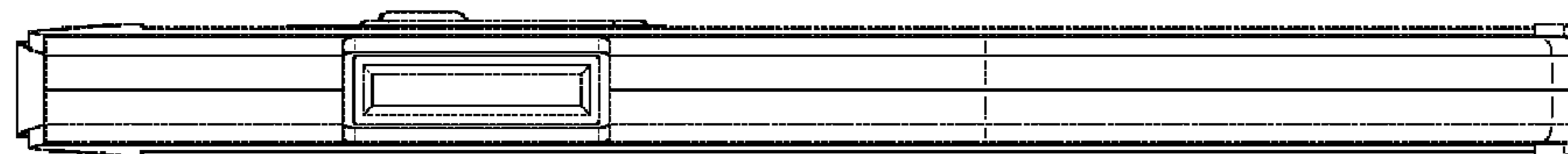


fig.5

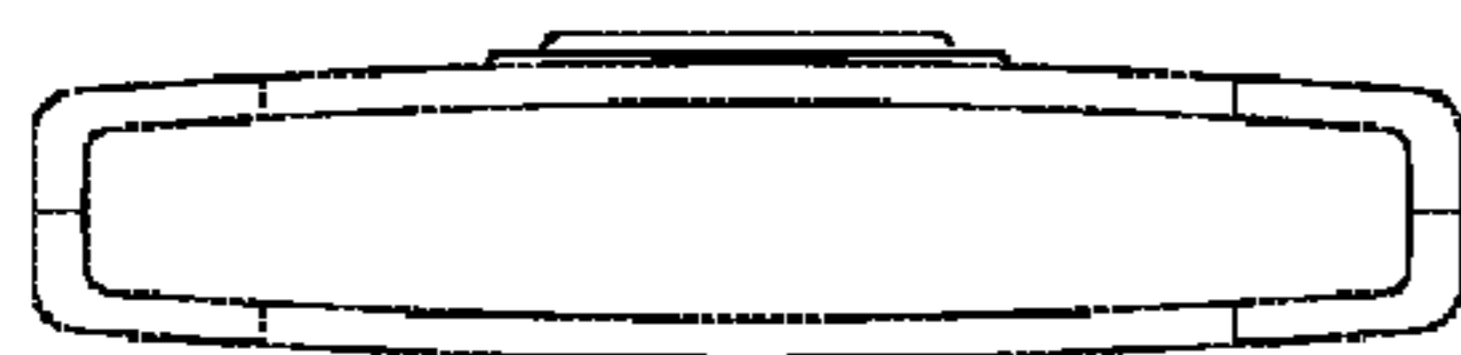
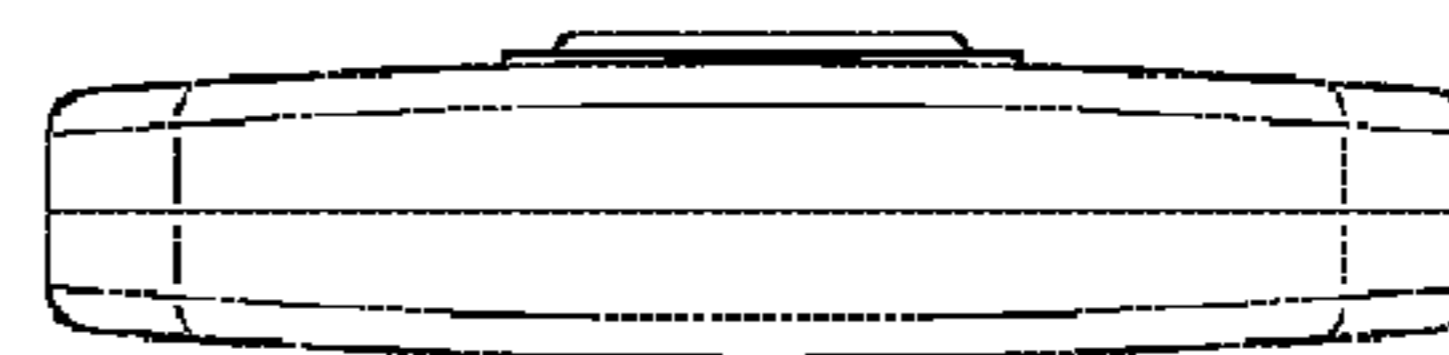


fig.6



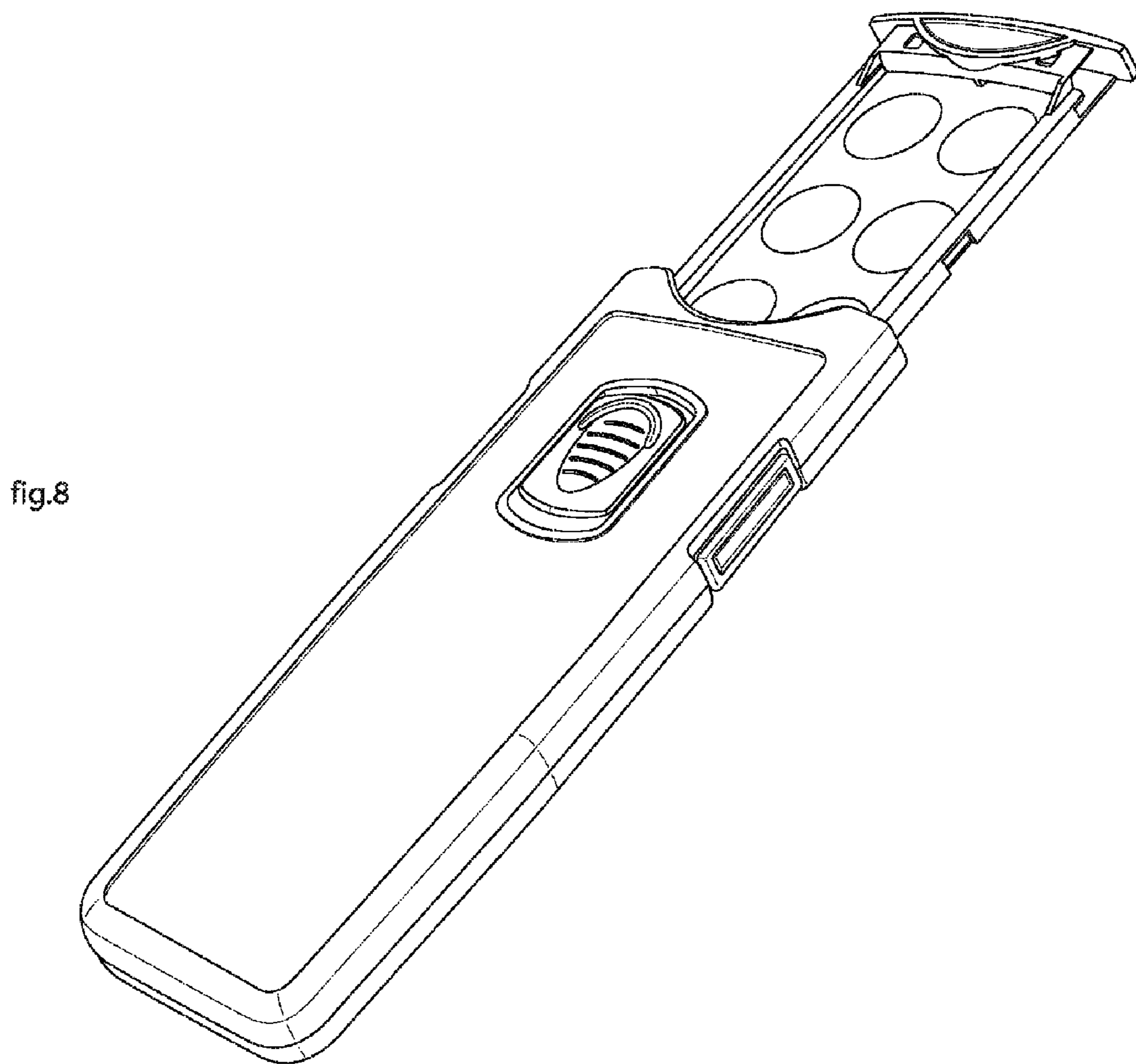
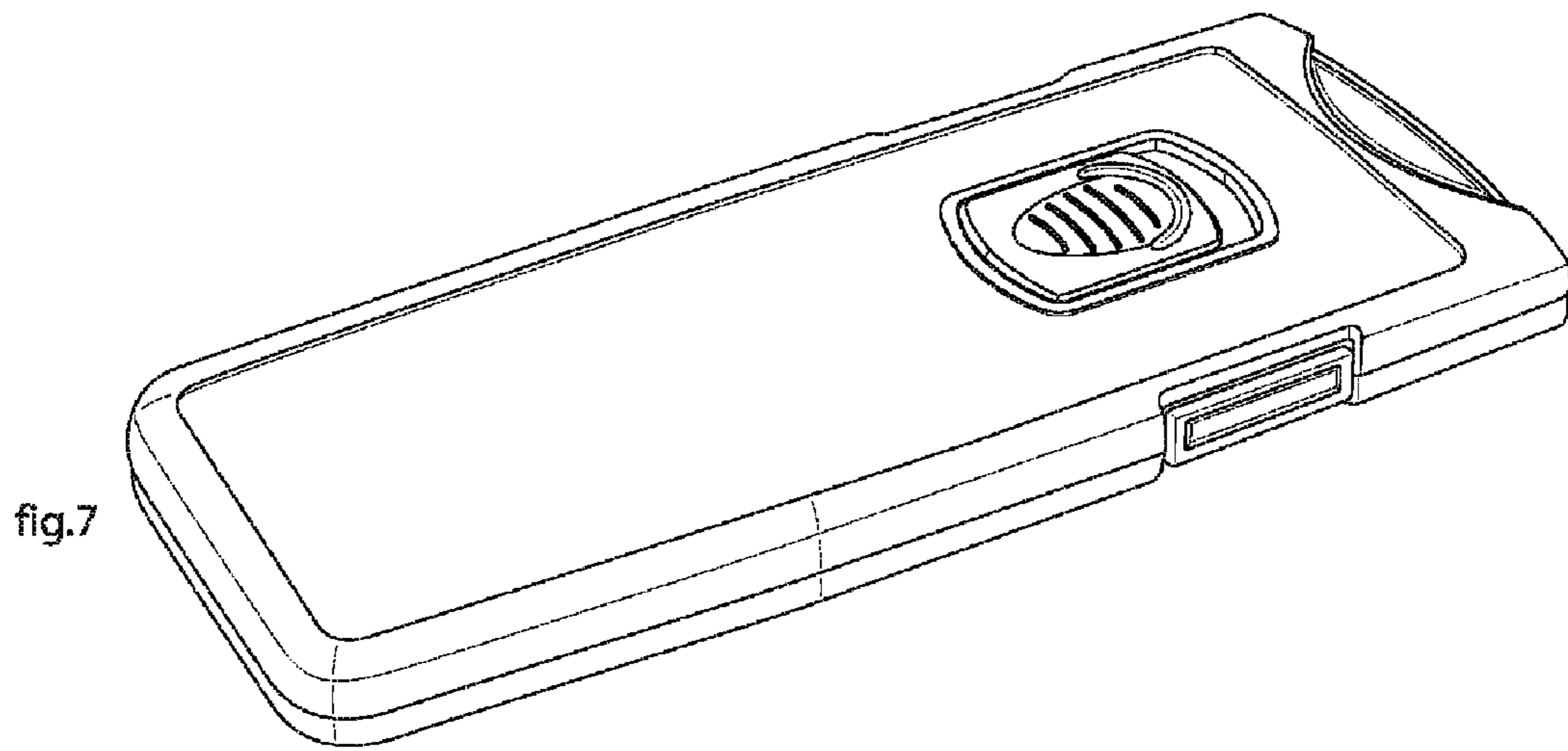


fig.9

