

US00D622494S

(12) **United States Design Patent**  
**Warren**

(10) **Patent No.:** **US D622,494 S**

(45) **Date of Patent:** **\*\* Aug. 31, 2010**

(54) **FLAP ON SHOE TONGUE**

(75) Inventor: **Patrick Warren**, Los Angeles, CA (US)

(73) Assignee: **Skechers U.S.A., Inc. II**, Manhattan Beach, CA (US)

(\*\*) Term: **14 Years**

(21) Appl. No.: **29/357,737**

(22) Filed: **Mar. 16, 2010**

**Related U.S. Application Data**

(62) Division of application No. 29/346,060, filed on Oct. 26, 2009, now Pat. No. Des. 614,854.

(51) **LOC (9) Cl.** ..... **02-99**

(52) **U.S. Cl.** ..... **D2/975; D2/946**

(58) **Field of Classification Search** ..... D2/896,  
D2/902, 906-908, 943, 944, 969, 972-974,  
D2/975; 36/45-49, 50.1, 77 M, 77 R, 83,  
36/88, 113, 114, 126-131

See application file for complete search history.

(56) **References Cited**

**U.S. PATENT DOCUMENTS**

- D251,036 S \* 2/1979 Torrance ..... D2/906
- D299,884 S \* 2/1989 Brown et al. .... D2/974
- D342,145 S 12/1993 Yeh
- D342,824 S 1/1994 Bevier et al.
- D348,766 S 7/1994 Bevier et al.
- D367,952 S 3/1996 Shea
- D377,410 S \* 1/1997 Crowley ..... D2/946
- D385,102 S 10/1997 Avar
- D388,244 S \* 12/1997 Serna ..... D2/972
- D398,769 S 9/1998 Avar
- D422,128 S 4/2000 Adler
- D467,708 S 12/2002 Portzline
- D488,917 S 4/2004 Koo
- D493,029 S 7/2004 Jacobs
- D495,862 S 9/2004 Riosa
- D507,402 S \* 7/2005 Laberge ..... D2/972
- D509,348 S \* 9/2005 Brewer ..... D2/972

- D511,614 S \* 11/2005 Gerber ..... D2/972
- D511,884 S \* 11/2005 Hatfield ..... D2/972
- D531,792 S 11/2006 Roulo
- D534,712 S \* 1/2007 Darby, II ..... D2/896
- D535,092 S \* 1/2007 Edwards ..... D2/969
- D536,164 S \* 2/2007 Wilkenfeld ..... D2/969
- D548,442 S \* 8/2007 Hulbert ..... D2/969
- D560,893 S \* 2/2008 Belley et al. .... D2/969
- D561,445 S \* 2/2008 Belley et al. .... D2/969
- D561,448 S \* 2/2008 Hickman ..... D2/969
- D561,449 S \* 2/2008 James ..... D2/969
- D563,630 S 3/2008 Dolce et al.
- D567,484 S 4/2008 James
- D576,382 S \* 9/2008 Hickman ..... D2/902
- D576,383 S 9/2008 Weber
- D580,148 S 11/2008 Schoenborn
- D581,635 S 12/2008 Hickman
- D596,383 S \* 7/2009 Morris ..... D2/907
- D598,188 S \* 8/2009 Walton ..... D2/969
- D614,854 S \* 5/2010 Warren ..... D2/975

\* cited by examiner

*Primary Examiner*—Dominic Simone

(74) *Attorney, Agent, or Firm*—Marshall A. Lerner; Kleinberg & Lerner, LLP

(57) **CLAIM**

The ornamental design for a flap on shoe tongue, as shown and described.

**DESCRIPTION**

FIG. 1 is a perspective view of a flap on shoe tongue embodying my new design;

FIG. 2 is a left side view thereof;

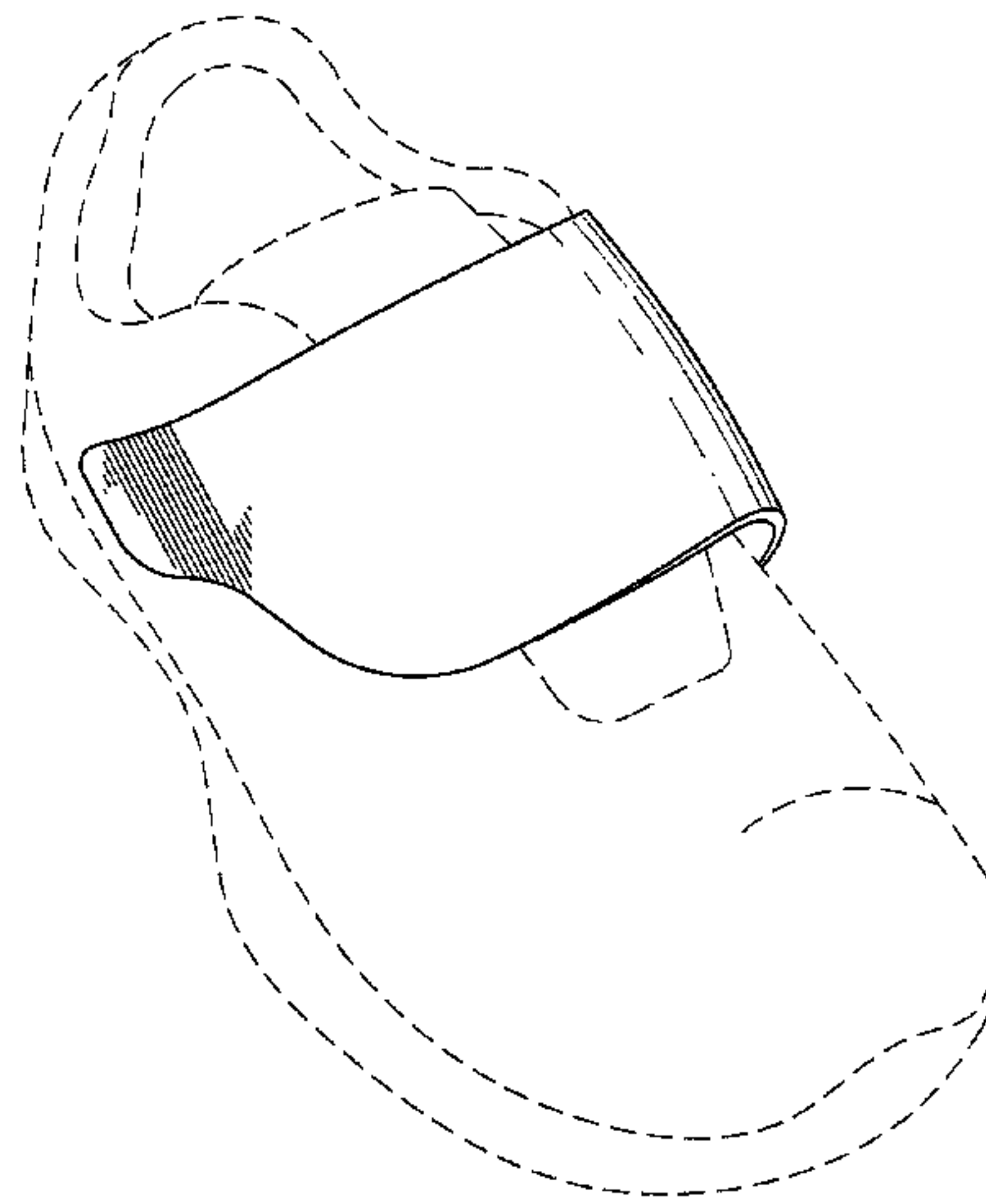
FIG. 3 is a right side view thereof;

FIG. 4 is a top plan view thereof; and,

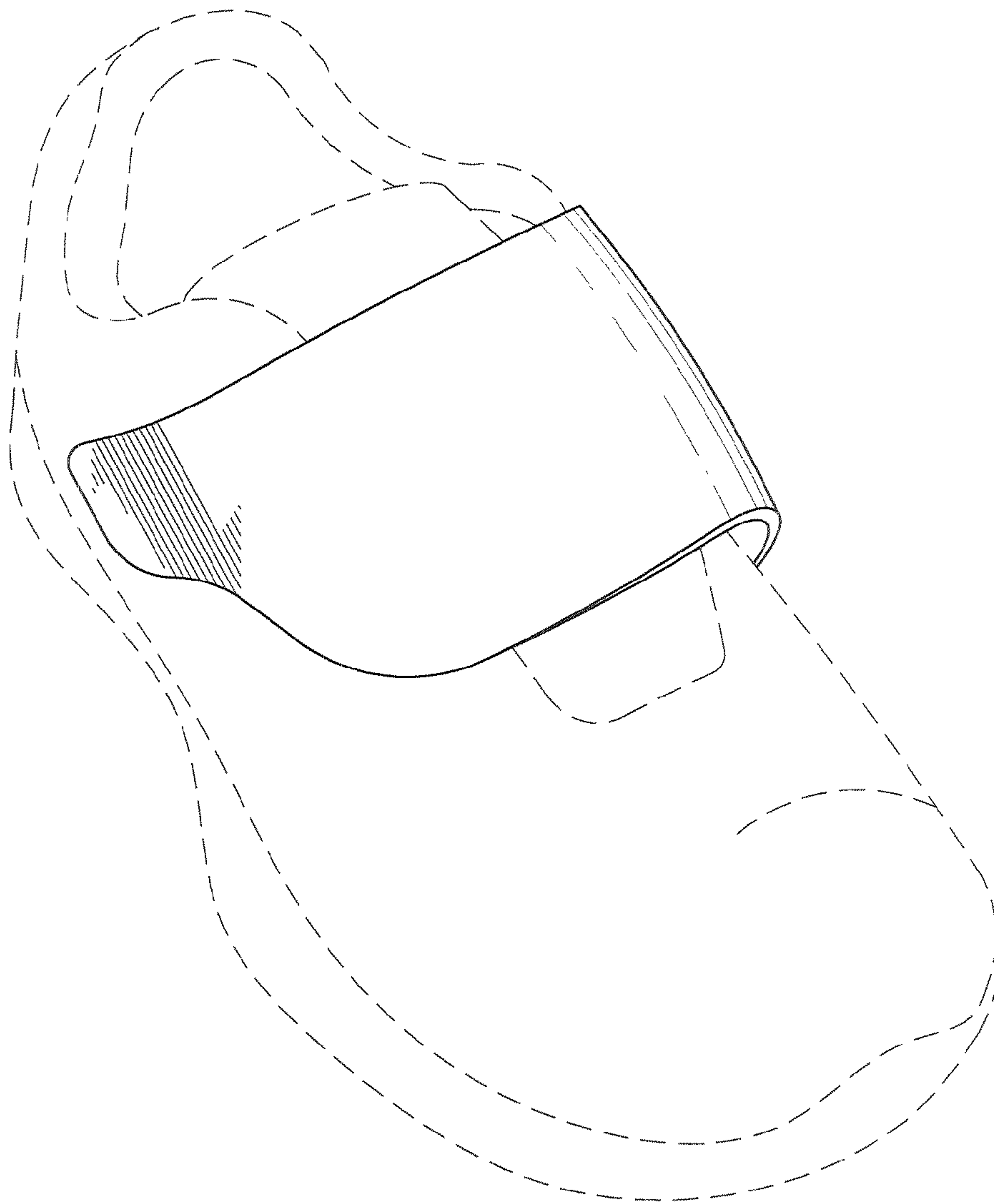
FIG. 5 is a front side view thereof.

The broken line showing of the shoe in the figures is for illustrative purposes only and forms no part of the claimed invention.

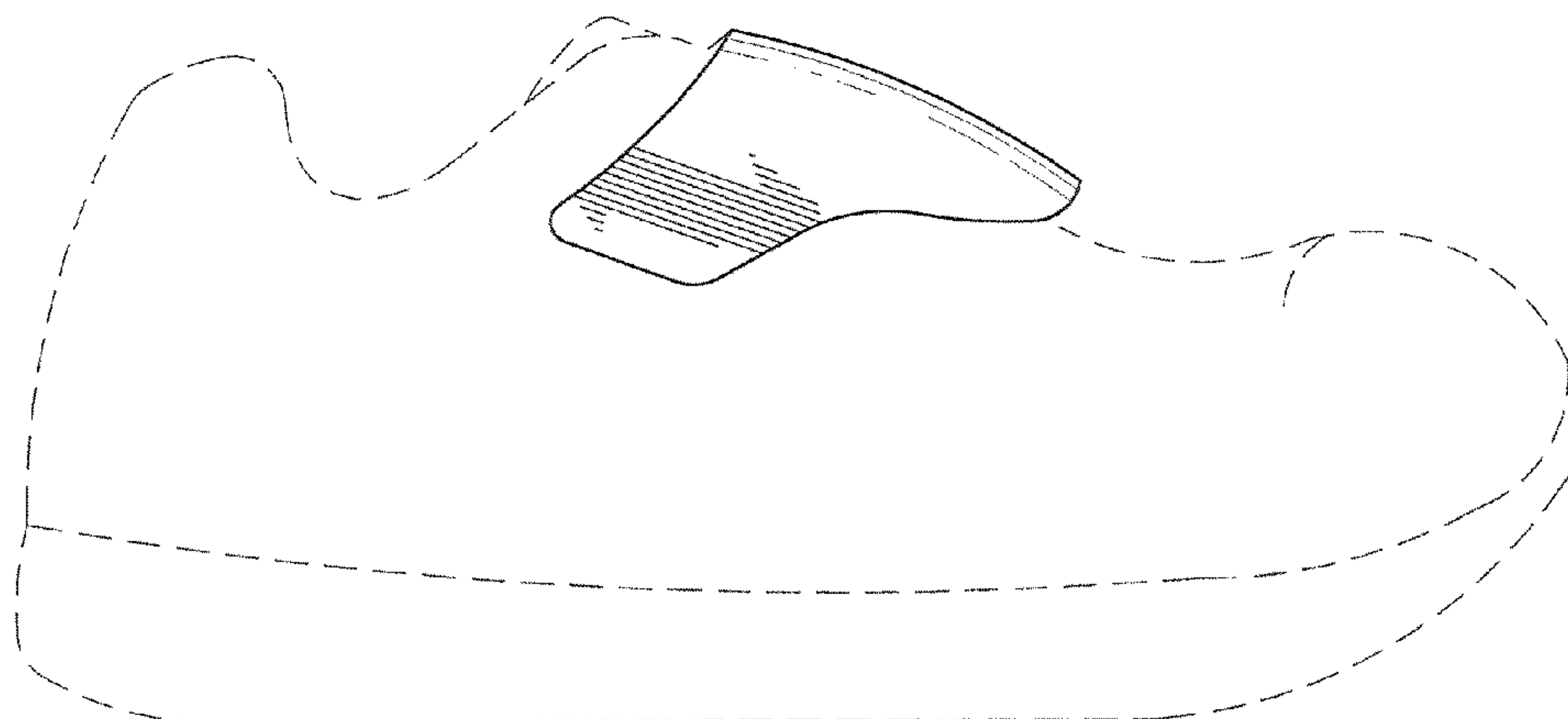
**1 Claim, 3 Drawing Sheets**



*FIG. 1*



*FIG. 2*



*FIG. 3*

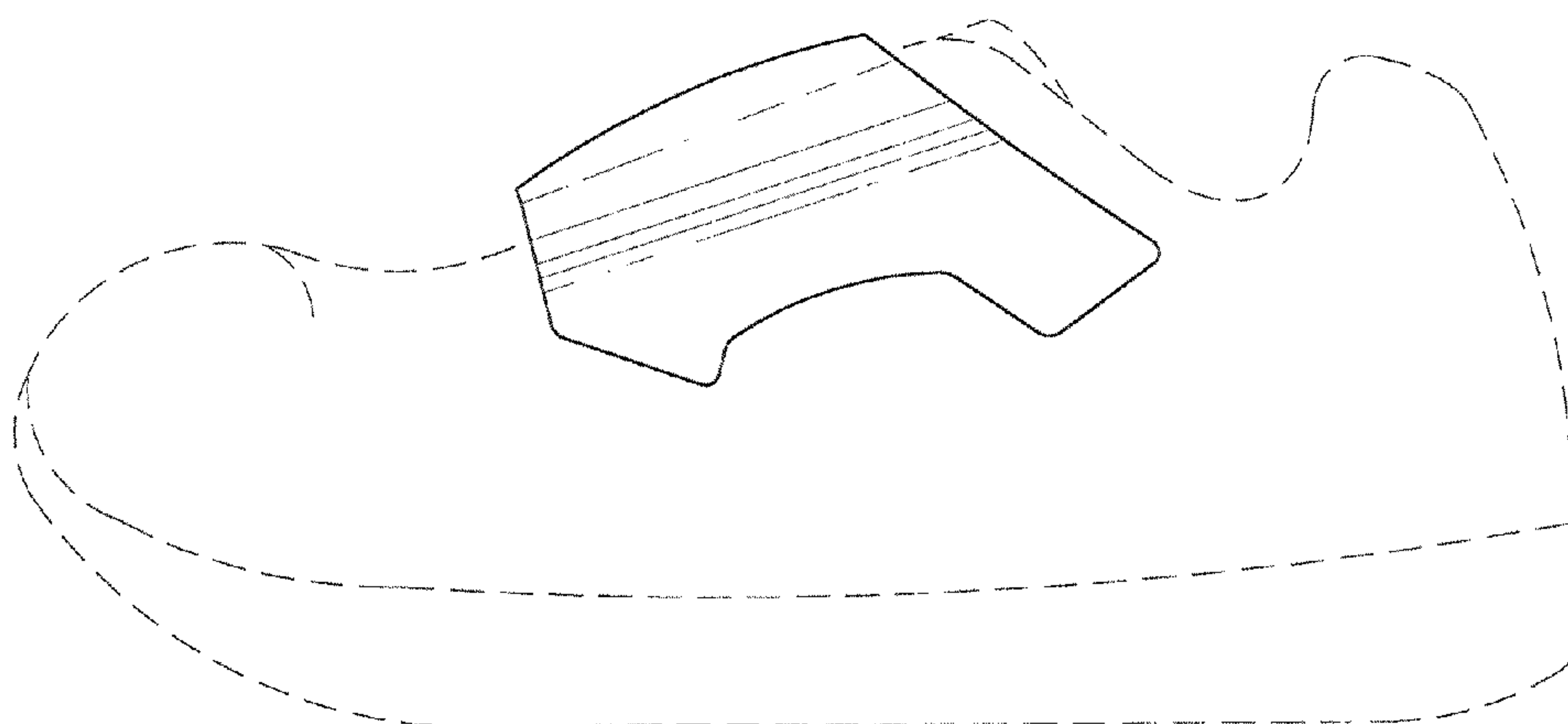


FIG. 4

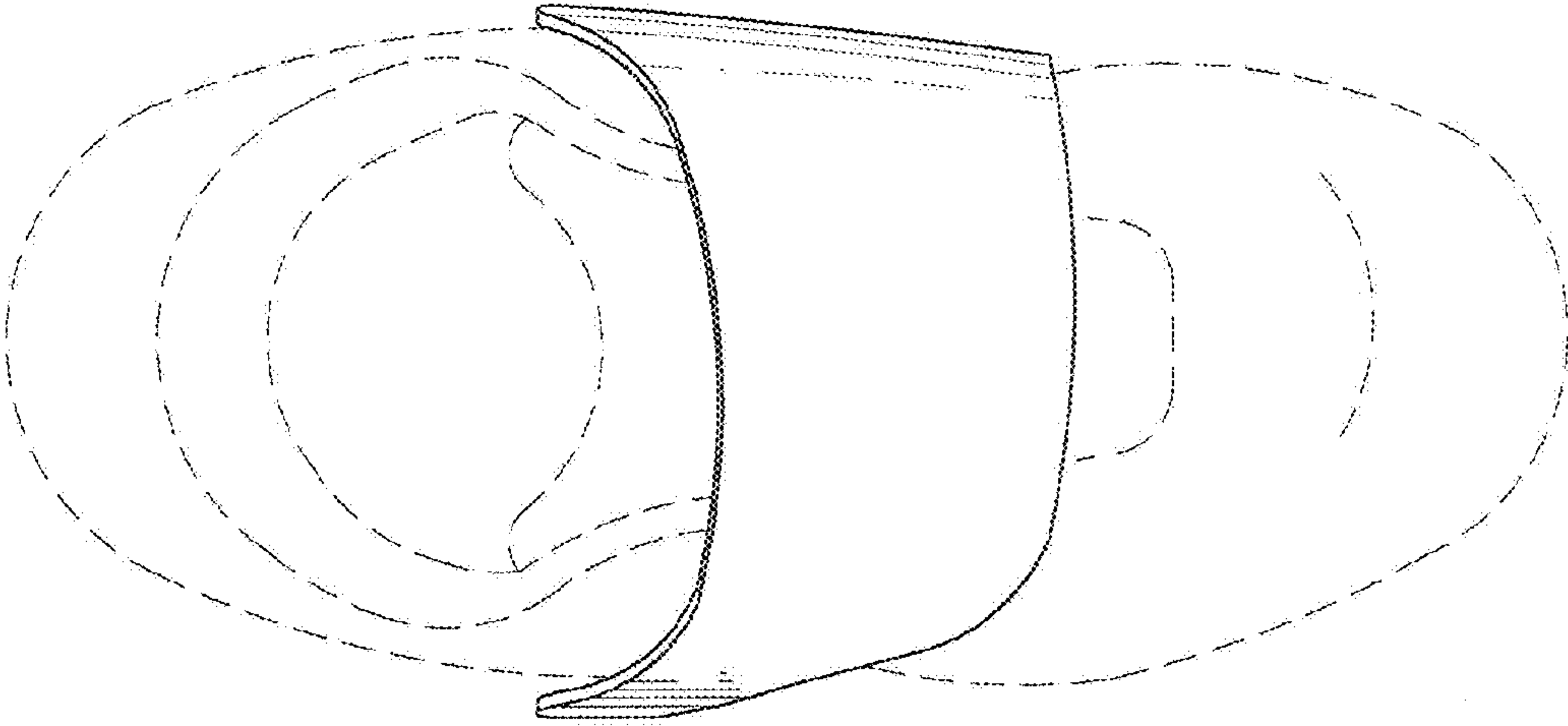


FIG. 5

