



US00D622489S

(12) **United States Design Patent**
McClaskie

(10) **Patent No.:** **US D622,489 S**

(45) **Date of Patent:** **** Aug. 31, 2010**

(54) **SHOE**

(75) Inventor: **Thomas E. McClaskie**, Bethlehem, PA
(US)

(73) Assignee: **Columbia Insurance Company**,
Omaha, NE (US)

(**) Term: **14 Years**

(21) Appl. No.: **29/350,801**

(22) Filed: **Nov. 24, 2009**

(51) **LOC (9) Cl.** **02-04**

(52) **U.S. Cl.** **D2/952; D2/951; D2/953**

(58) **Field of Classification Search** D2/946,
D2/947, 951, 952, 953, 957, 960; D5/6,
D5/32, 66; 36/103, 104, 3 B, 22 R, 24.5,
36/25 R, 59 C

See application file for complete search history.

(56) **References Cited**

U.S. PATENT DOCUMENTS

D90,450 S *	8/1933	Oakley	D2/955
1,988,784 A *	1/1935	Carrier	36/59 C
D168,540 S	1/1953	Friedman et al.		
D236,323 S *	8/1975	Johnsen et al.	D8/367
D298,483 S *	11/1988	Liggett et al.	D2/954
D325,808 S *	5/1992	Austin	D2/955
D437,675 S *	2/2001	Dahlsten	D2/908
D489,520 S	5/2004	Matis et al.		
6,739,087 B2 *	5/2004	Weiser et al.	43/121
D495,121 S *	8/2004	McClaskie	D2/952
D495,856 S	9/2004	McClaskie		
D512,208 S *	12/2005	Kubo et al.	D2/960
D530,563 S *	10/2006	Henry et al.	D7/359
D548,433 S	8/2007	McClaskie		
D555,887 S *	11/2007	Link	D2/955
D556,984 S	12/2007	Brie et al.		
D564,736 S *	3/2008	Belley et al.	D2/952

D573,345 S *	7/2008	Yuson	D3/322
D581,141 S *	11/2008	Val Hulle	D2/910
D591,945 S *	5/2009	Belley et al.	D2/954
D603,591 S *	11/2009	McClaskie	D2/952
D608,535 S *	1/2010	McClaskie	D2/952
D608,993 S *	2/2010	McClaskie	D2/952
D609,889 S *	2/2010	McClaskie	D2/952
D609,890 S *	2/2010	McClaskie	D2/952

* cited by examiner

Primary Examiner—Celia A Murphy

(74) *Attorney, Agent, or Firm*—St. Onge Steward Johnston &
Reens LLC

(57) **CLAIM**

The ornamental design for a shoe, as shown and described.

DESCRIPTION

FIG. 1 is a bottom perspective view of a shoe in accordance with the new design;

FIG. 2 is a bottom view thereof;

FIG. 3 is a top view thereof;

FIG. 4 is a left side view thereof;

FIG. 5 is a right side view thereof;

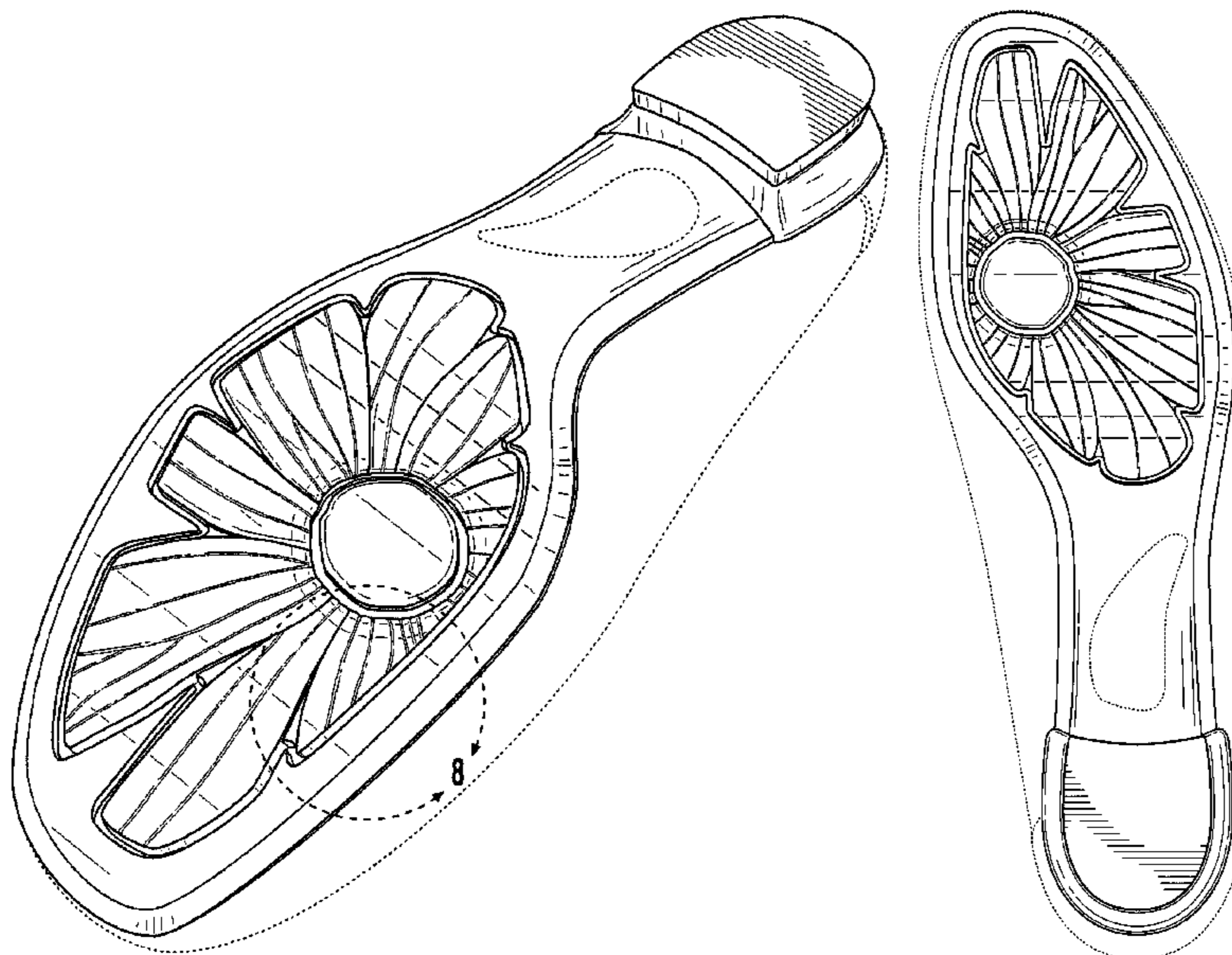
FIG. 6 is a front view thereof;

FIG. 7 is a rear view thereof; and,

FIG. 8 is an enlarged perspective view of the area labeled "8" in FIG. 1.

The shoe upper shown in broken lines in FIGS. 1-7 is for environmental purposes only and forms no part of the claimed design. The broken lines shown in each arch area of FIGS. 1, 2, 4, and 5 represent boundaries of the design with the lines themselves and the areas within them forming no part of the claimed design.

1 Claim, 7 Drawing Sheets



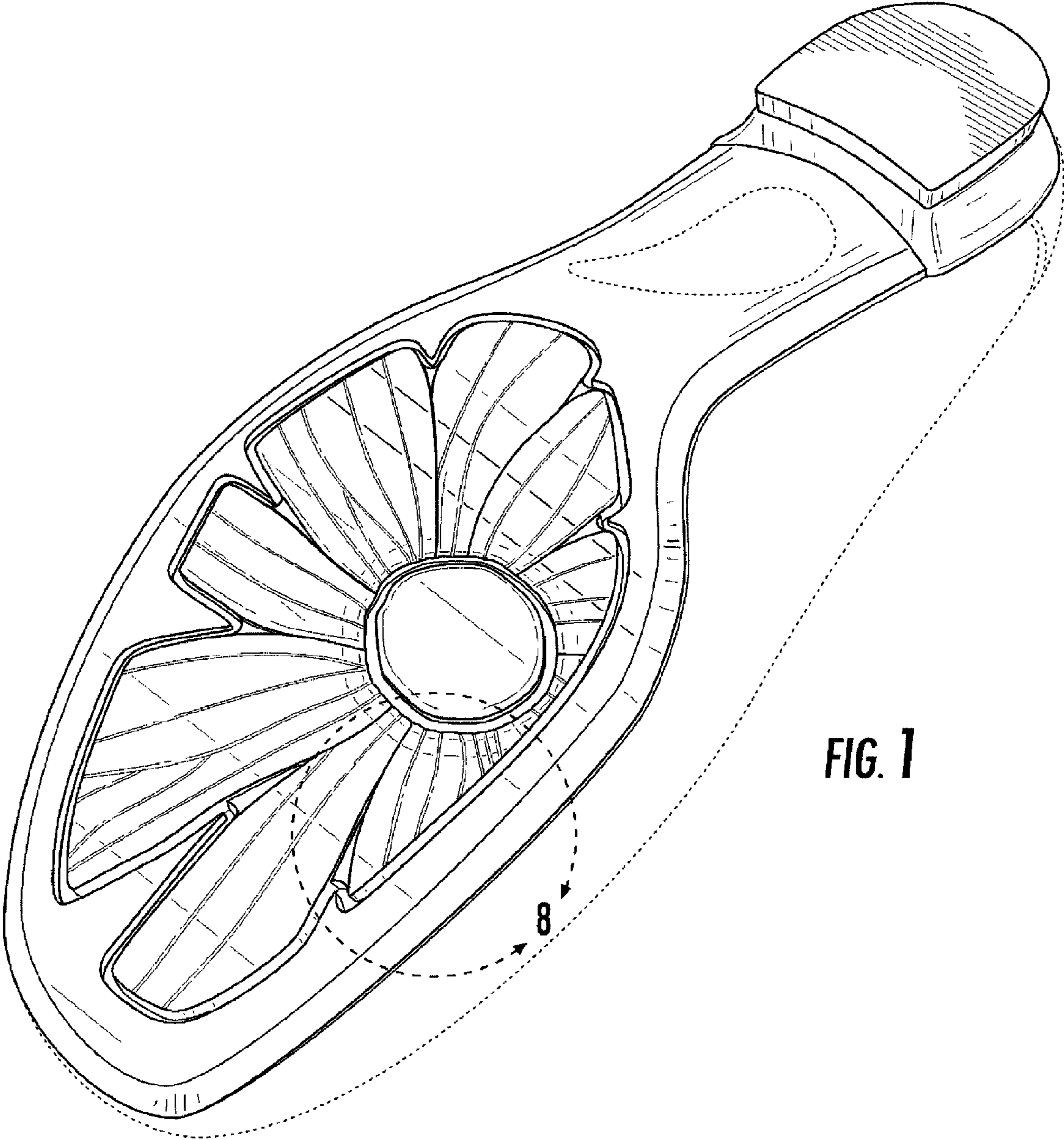


FIG. 1

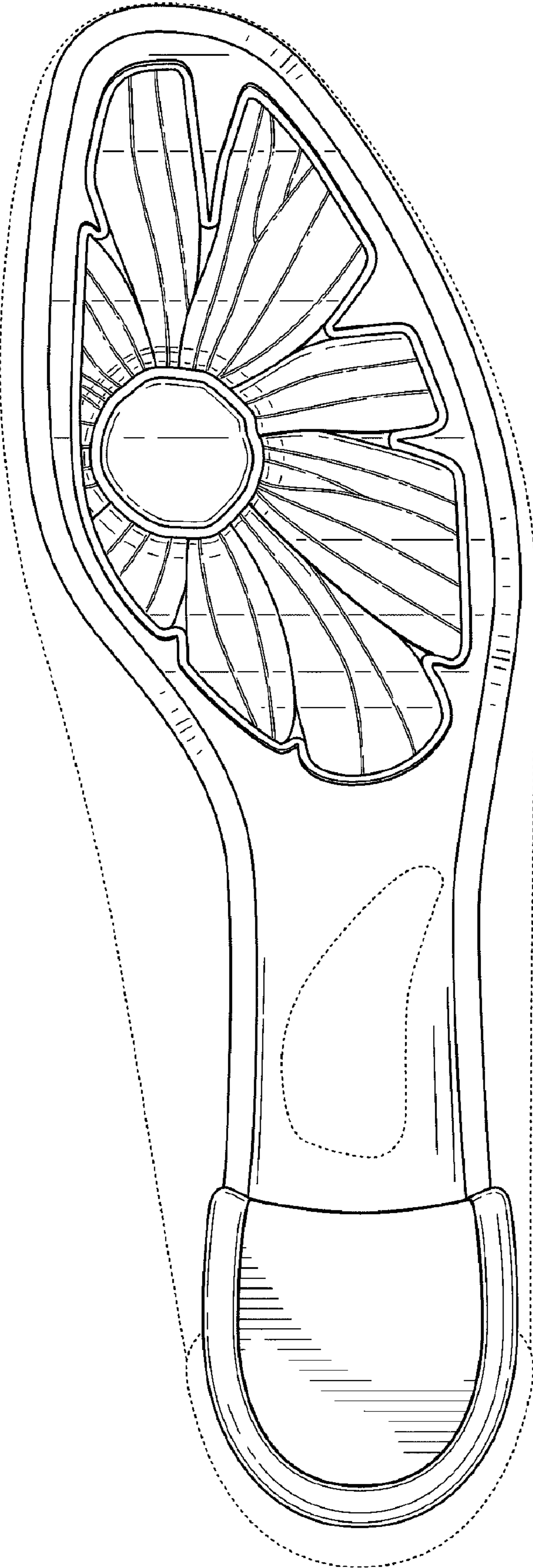


FIG. 2

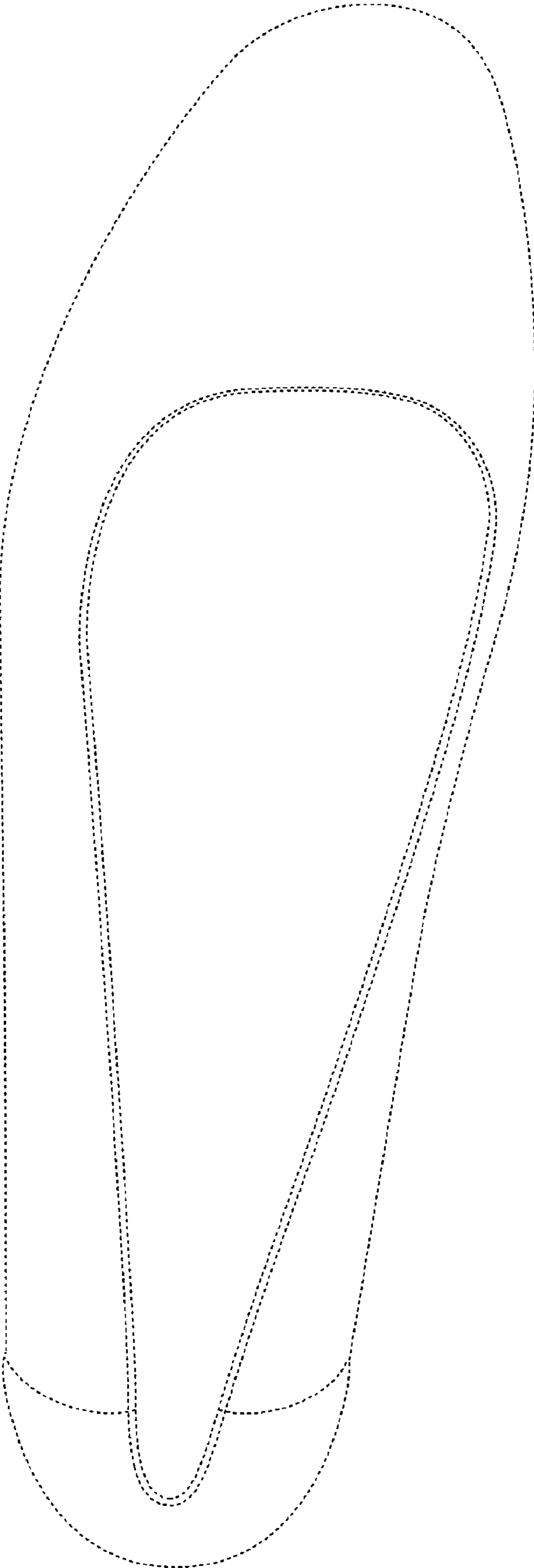


FIG. 3

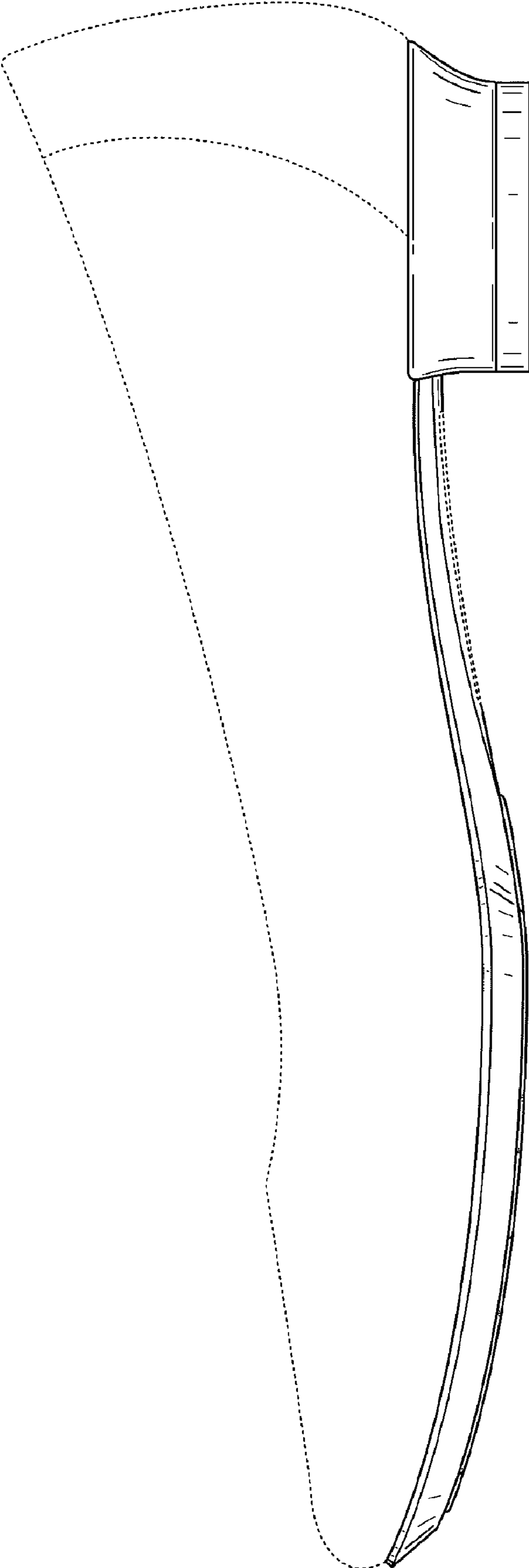


FIG. 4

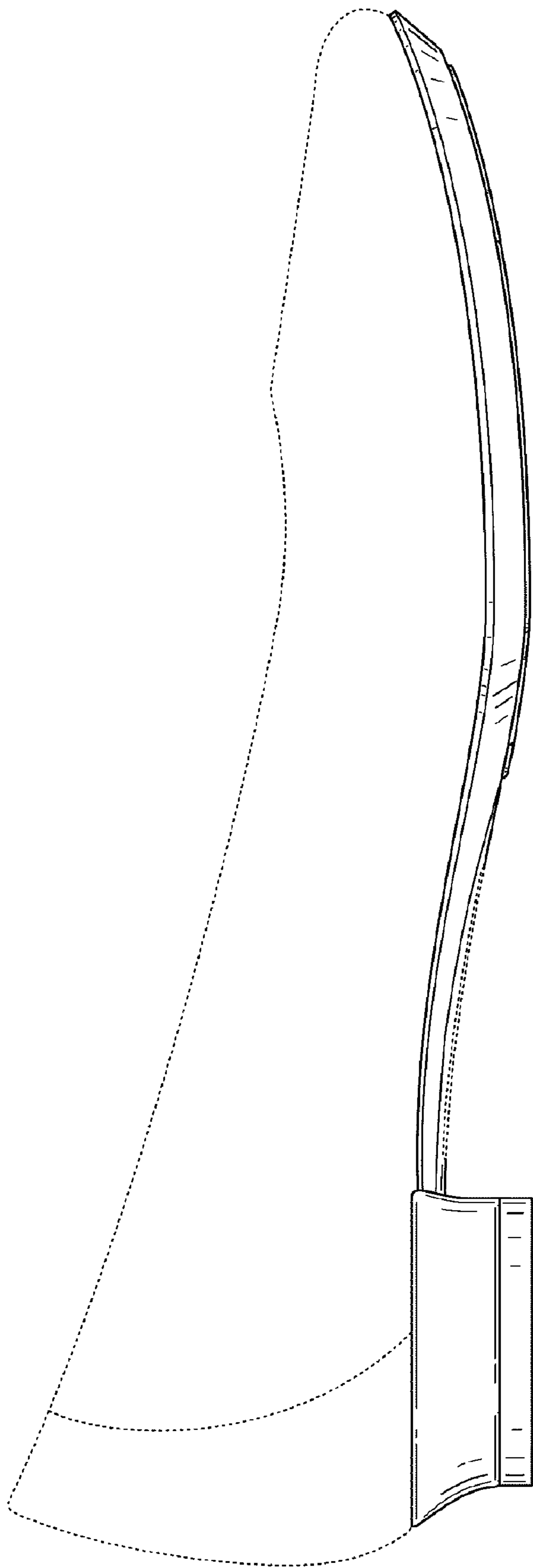


FIG. 5

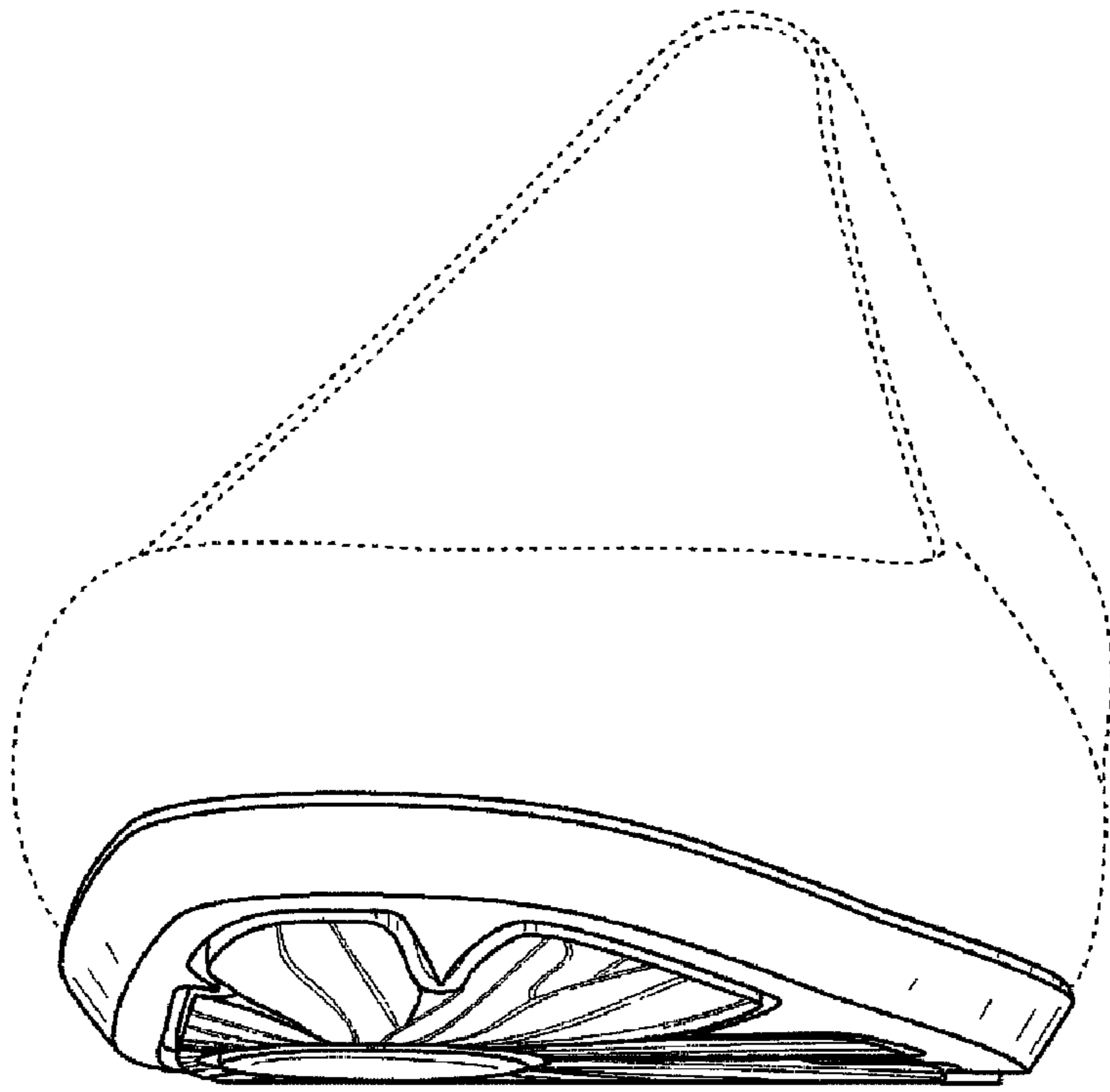


FIG. 6

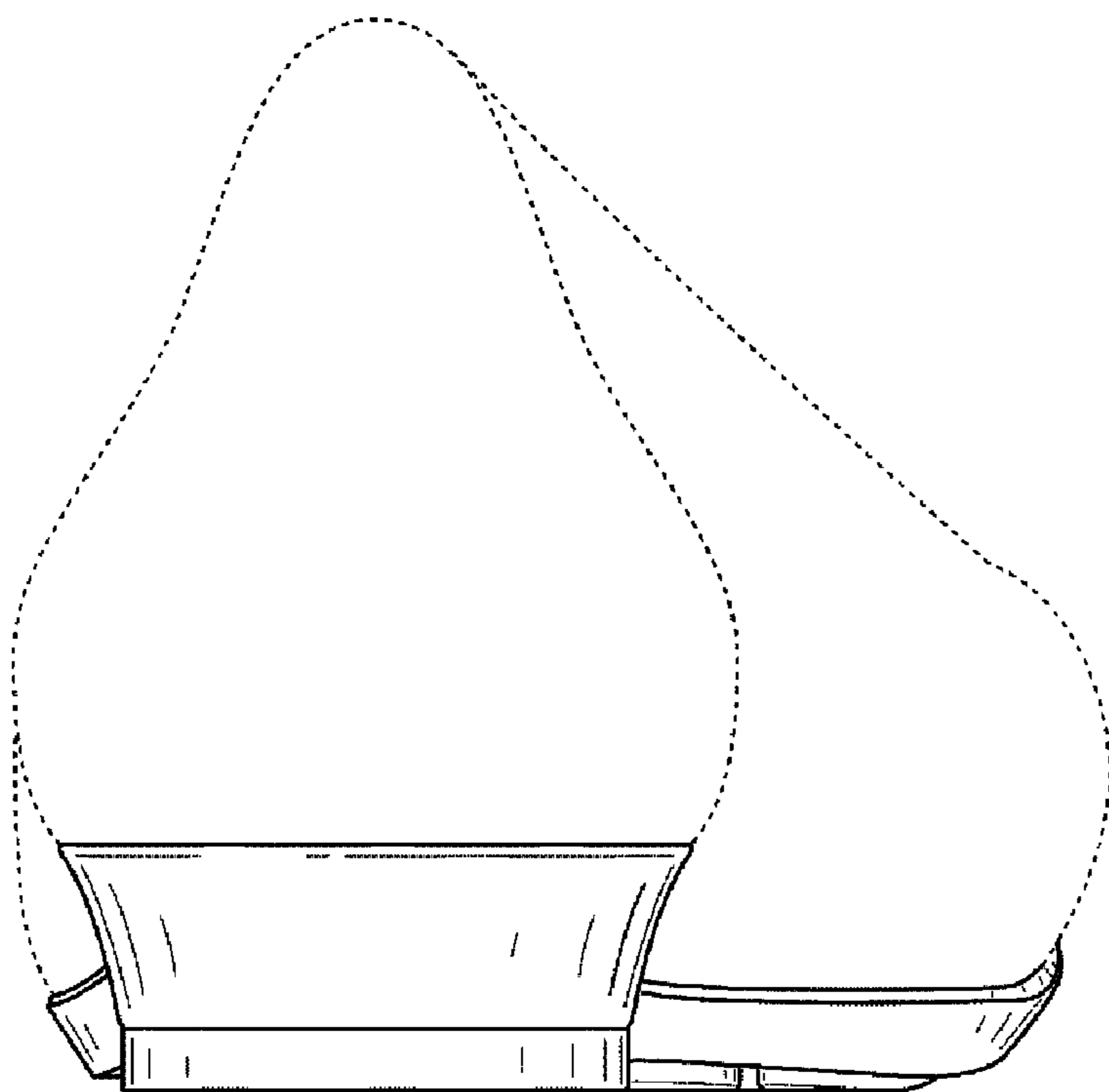


FIG. 7

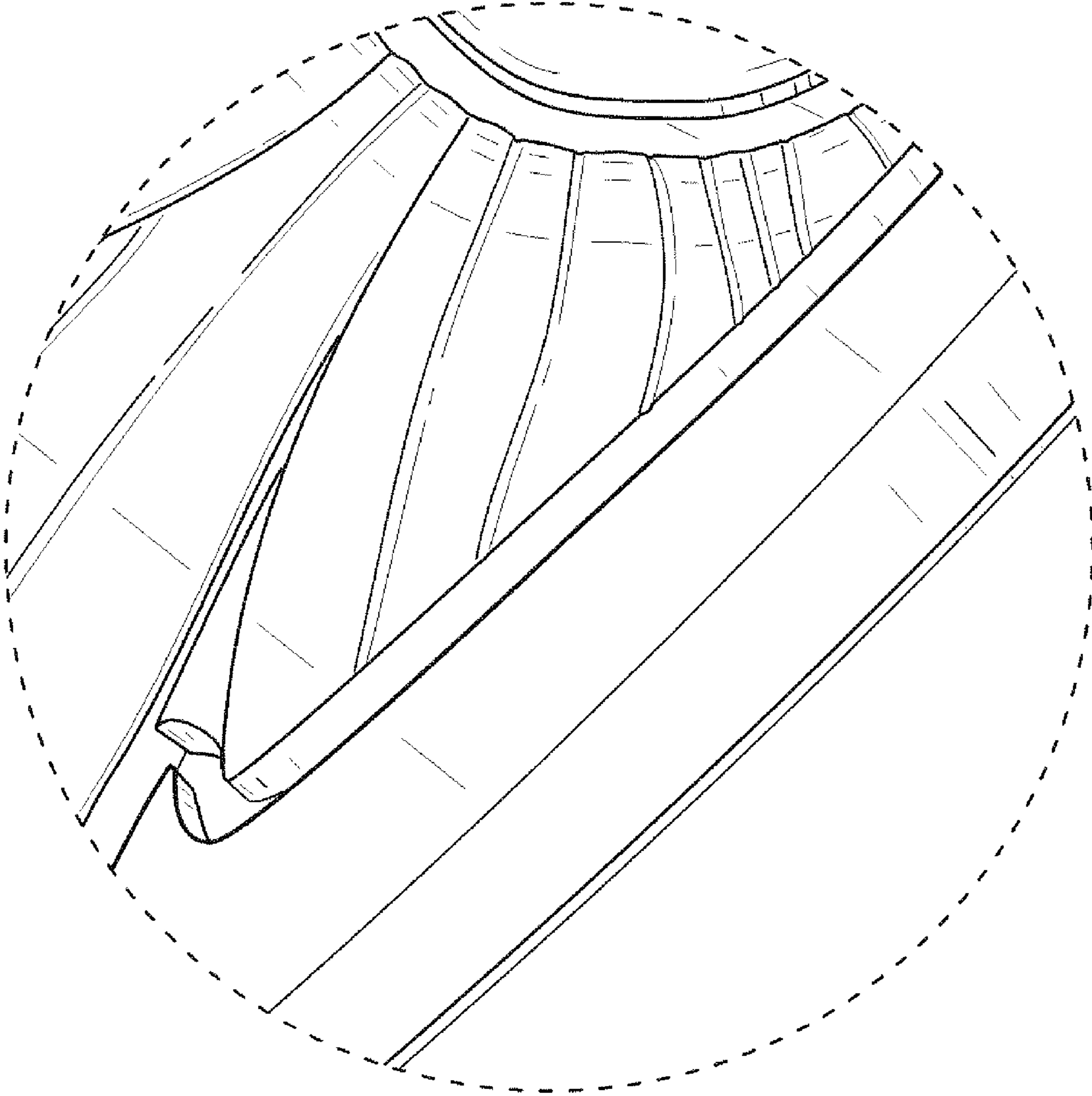


FIG. 8