



US00D622476S

(12) **United States Design Patent**
Babbitt

(10) **Patent No.:** **US D622,476 S**
(45) **Date of Patent:** **** Aug. 31, 2010**

(54) **WEARABLE WATER ABSORBING DEVICE**
(76) Inventor: **Cindy L. Babbitt**, 15247 Highway J5T,
Mystic, IA (US) 52574
(**) Term: **14 Years**
(21) Appl. No.: **29/333,665**
(22) Filed: **Mar. 12, 2009**
(51) **LOC (9) Cl.** **02-06**
(52) **U.S. Cl.** **D2/610**
(58) **Field of Classification Search** D2/610–624;
D29/120.1, 121.1; 2/16, 17, 59, 67; D24/190;
D21/437, 441, 443, 444, 804; D11/4, 13;
446/34, 46–48; 473/588, 589
See application file for complete search history.

5,119,513 A 6/1992 McKay
5,305,470 A * 4/1994 McKay 2/7
5,383,804 A * 1/1995 Mitch et al. 441/66
D366,286 S * 1/1996 Kino D21/471
6,010,415 A * 1/2000 Miggins 473/437
6,338,687 B1 * 1/2002 Thompson 473/453
D478,357 S * 8/2003 Penna D21/304
D481,988 S * 11/2003 Wachendorf D12/500
D502,225 S * 2/2005 Kotsonis et al. D21/444
D509,265 S * 9/2005 Lemesle D21/560
D511,228 S * 11/2005 Byrne D30/160
D537,575 S * 2/2007 Jager D30/160
7,278,374 B2 * 10/2007 Mann 119/710
7,377,556 B2 * 5/2008 Ho 285/338
D616,616 S * 5/2010 Byrne D30/160

* cited by examiner

Primary Examiner—Raphael Barkai
Assistant Examiner—Randall H Gholson

(56) **References Cited**
U.S. PATENT DOCUMENTS

D25,189 S 2/1896 McMahon
2,086,493 A * 7/1937 Ellingwood 63/3
2,127,926 A * 8/1938 Mason 2/170
3,556,526 A * 1/1971 David 273/239
D221,164 S * 7/1971 Joslyn D21/523
3,716,239 A * 2/1973 Goudreau 473/256
3,969,080 A * 7/1976 Conlon 422/102
3,970,307 A * 7/1976 Breglia 273/399
3,971,559 A * 7/1976 Diforte, Jr. 473/437
4,047,400 A 9/1977 Thorneburg
D259,220 S * 5/1981 Small et al. D3/221
D278,384 S * 4/1985 Wilson D2/614
D291,583 S * 8/1987 Bateman et al. D21/471
4,843,653 A 7/1989 Coble
4,896,378 A 1/1990 Campana

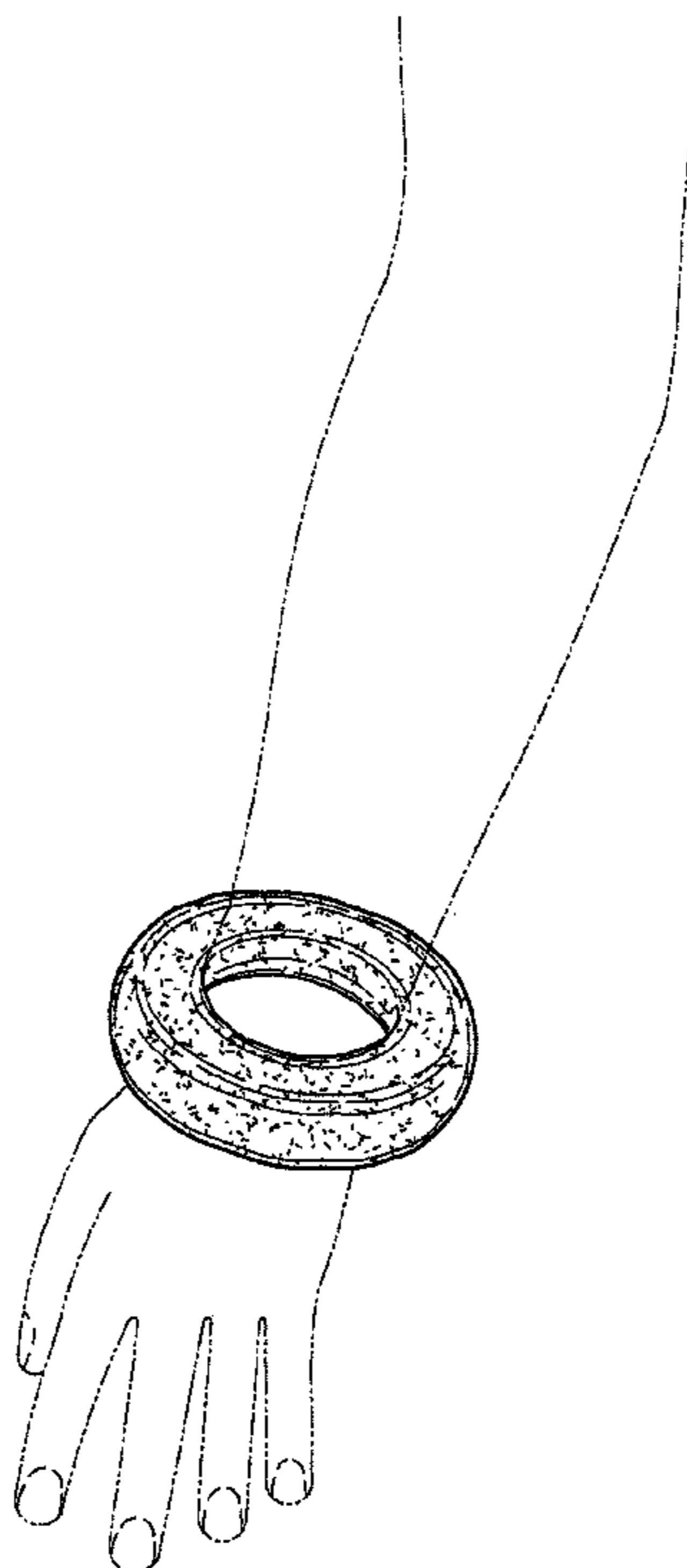
(57) **CLAIM**

The ornamental design for a wearable water absorbing device, as shown.

DESCRIPTION

FIG. 1 is a perspective view of a wearable water absorbing device;
FIG. 2 is a front view thereof (back view is same); and,
FIG. 3 is a side view thereof (opposite side view is same).
In FIG. 1, the broken lines showing of environmental structure for purposes of illustrating the wearable water absorbing device in a condition of use. The broken lines and the structure they depict form no part of the claimed design.

1 Claim, 2 Drawing Sheets



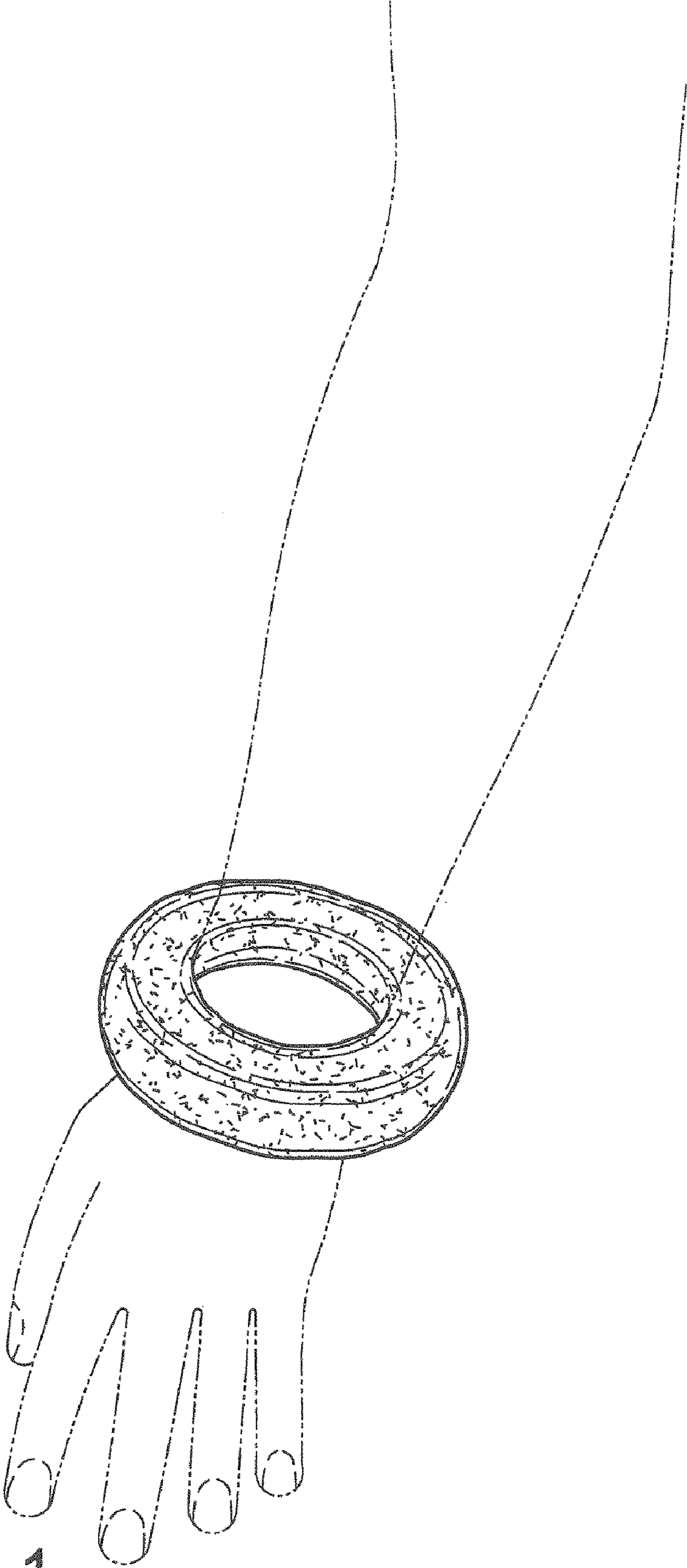


FIG. 1

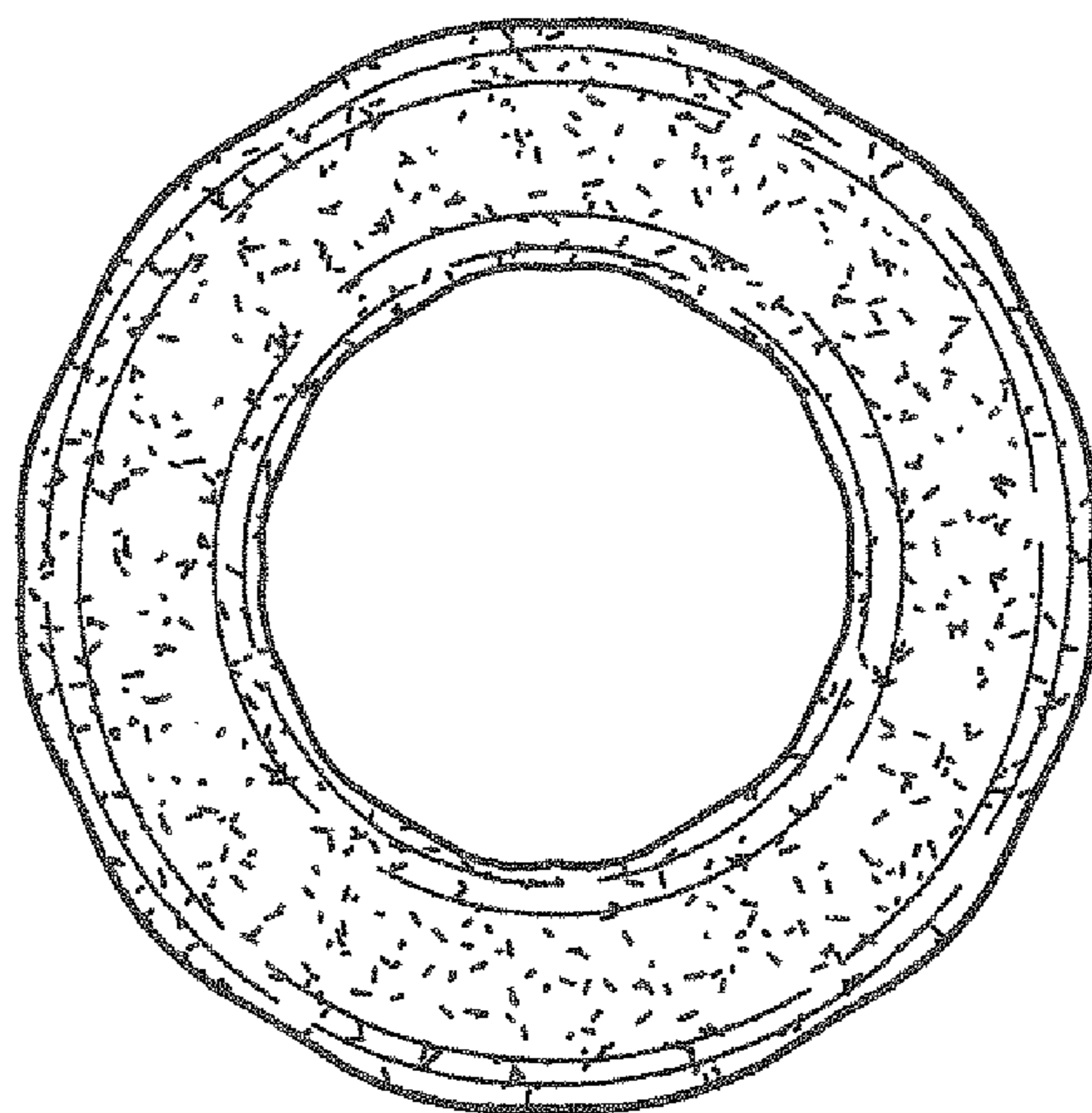


FIG. 2



FIG. 3