



US00D622472S

(12) **United States Design Patent**
Hancock et al.

(10) **Patent No.:** **US D622,472 S**

(45) **Date of Patent:** **** Aug. 24, 2010**

(54) **LEAD ROLLER FOR WINCH**

(76) Inventors: **Jeffrey D. Hancock**, 1562 E. 6850 South, Uintah, UT (US) 84405; **Dennis H. Hancock**, 5752 N. Silverstone Cir., Morgan, UT (US) 84050

(**) Term: **14 Years**

(21) Appl. No.: **29/348,348**

(22) Filed: **Dec. 24, 2009**

(51) **LOC (9) Cl.** **12-05**

(52) **U.S. Cl.** **D34/33**

(58) **Field of Classification Search** D34/33, D34/35; 254/222, 164; D8/360; 410/103

See application file for complete search history.

(56) **References Cited**

U.S. PATENT DOCUMENTS

D193,943	S *	10/1962	Gray	D34/33
3,101,927	A *	8/1963	Gray	410/103
4,045,002	A *	8/1977	Miller	410/103
5,156,506	A *	10/1992	Bailey	410/100
D330,671	S *	11/1992	Greene et al.	D8/360
D346,258	S *	4/1994	Zankich	D34/33
D388,928	S *	1/1998	Kuryu	D34/33
D388,929	S *	1/1998	Kuryu	D34/33

D389,978	S *	1/1998	Sondergeld, Jr.	D34/33
D417,764	S *	12/1999	Barringer	D34/35
D459,048	S *	6/2002	Leemans	D34/33
7,108,246	B2 *	9/2006	Fortin	254/222
2006/0013667	A1 *	1/2006	Ruan	410/103

* cited by examiner

Primary Examiner—Cynthia E Ramirez

(57) **CLAIM**

The ornamental design for a lead roller for winch, as shown and described.

DESCRIPTION

FIG. 1 is a perspective view taken from the bottom rear of a lead roller for winch;

FIG. 2, a perspective view taken from the bottom and one corner;

FIG. 3, a front elevation view;

FIG. 4, a top plan view;

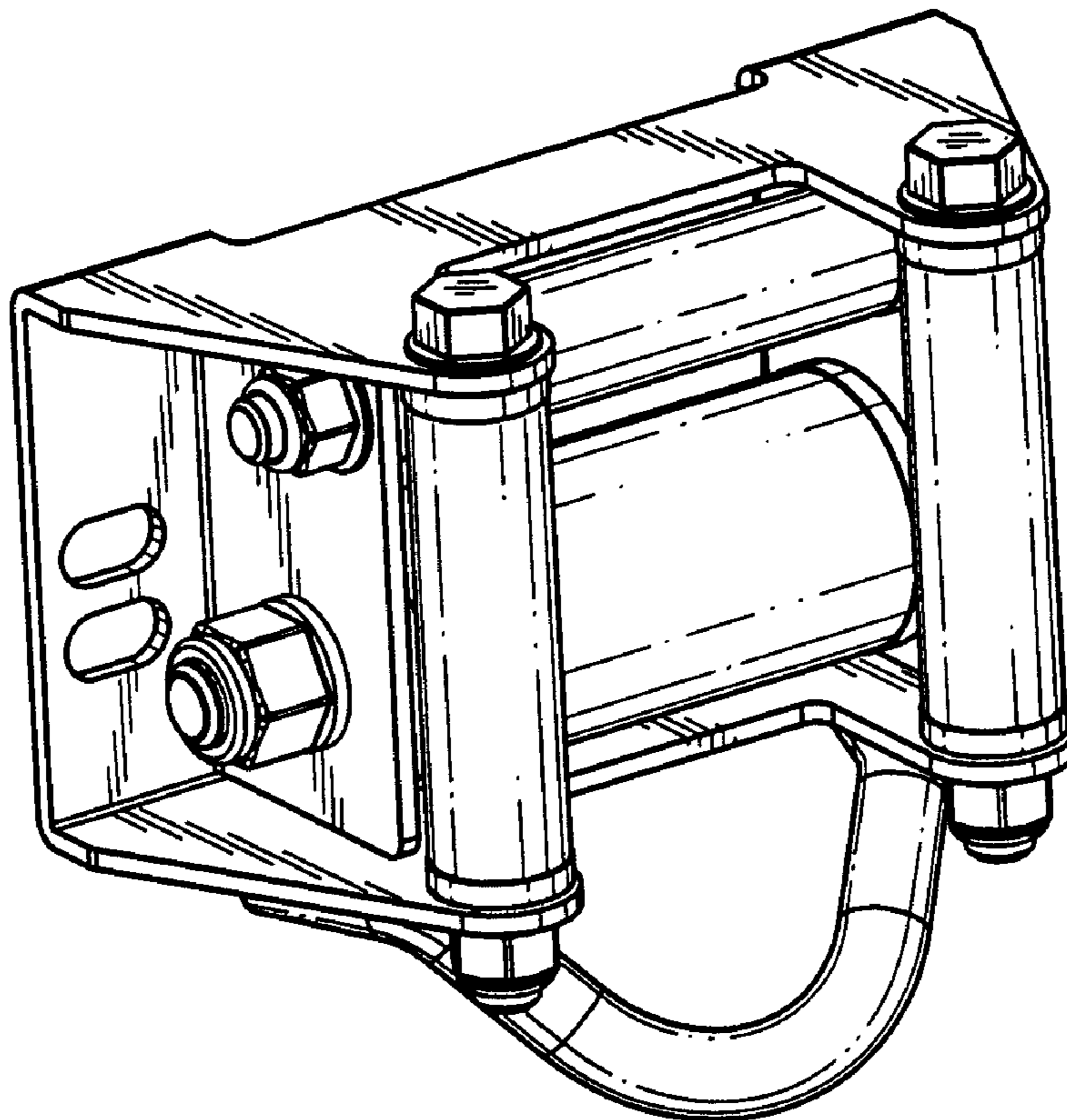
FIG. 5, a bottom plan view;

FIG. 6, a rear elevation view;

FIG. 7, a right end elevation view; and,

FIG. 8, a side elevation view.

1 Claim, 3 Drawing Sheets



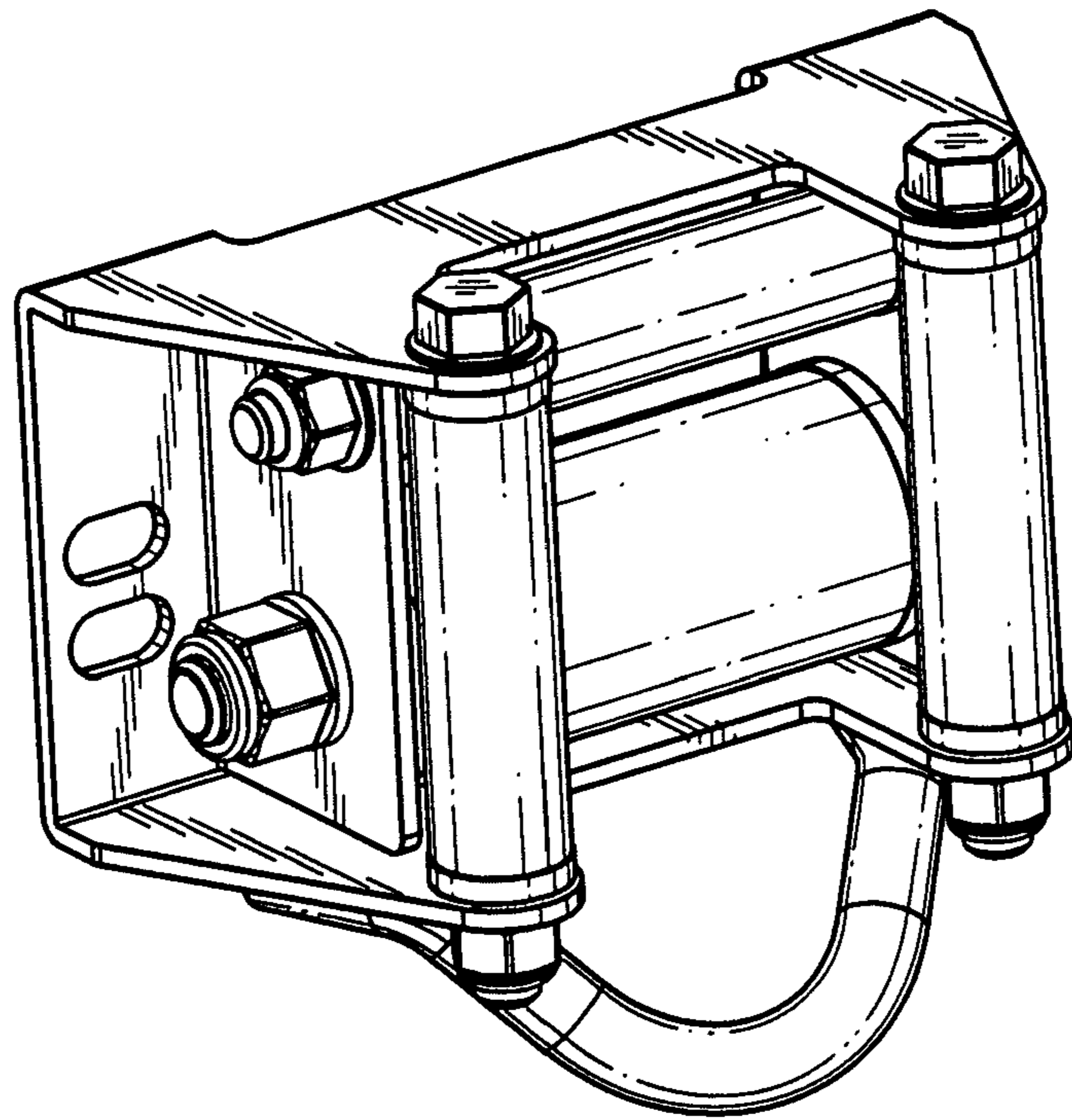


FIG. 1

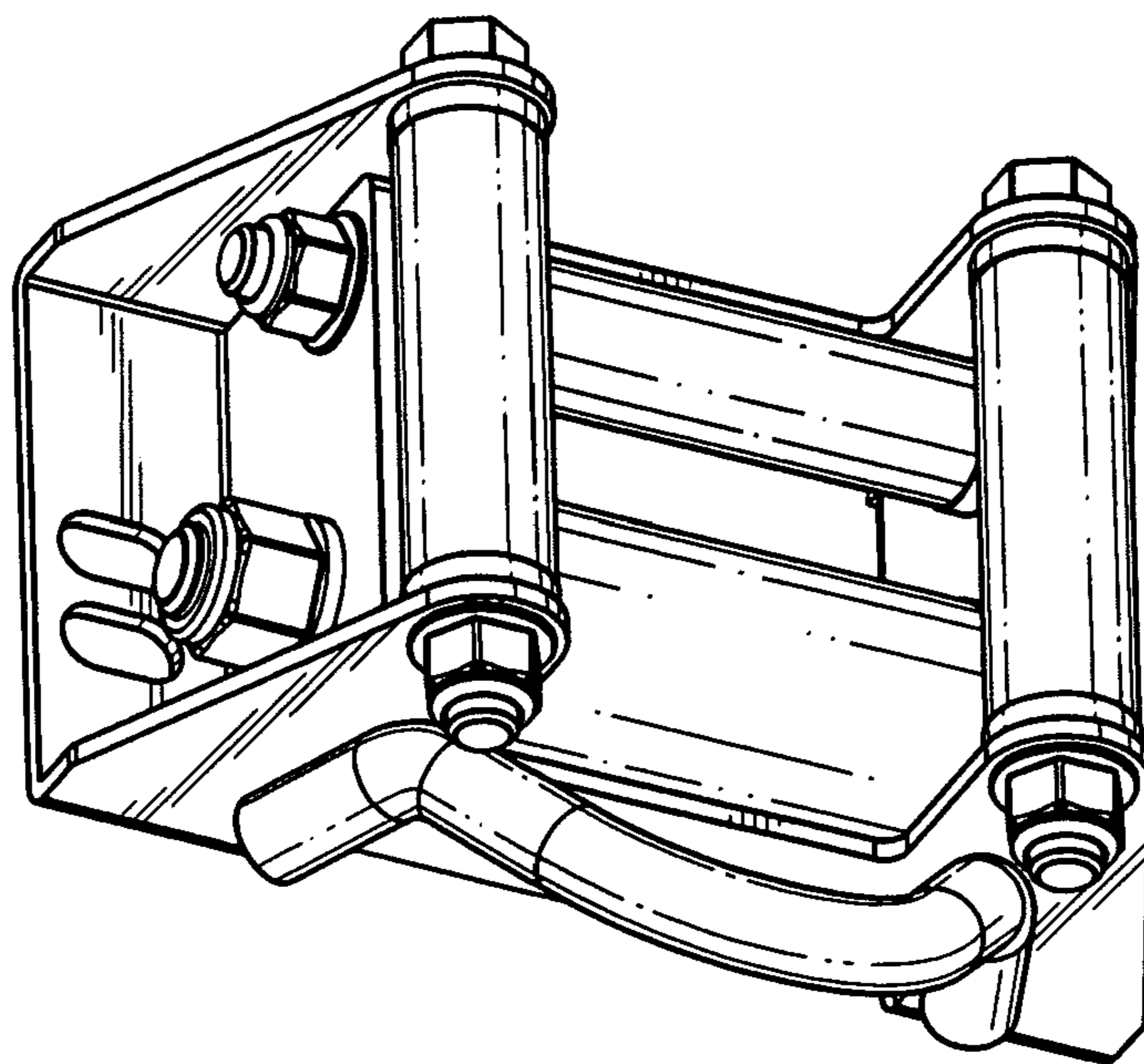


FIG. 2

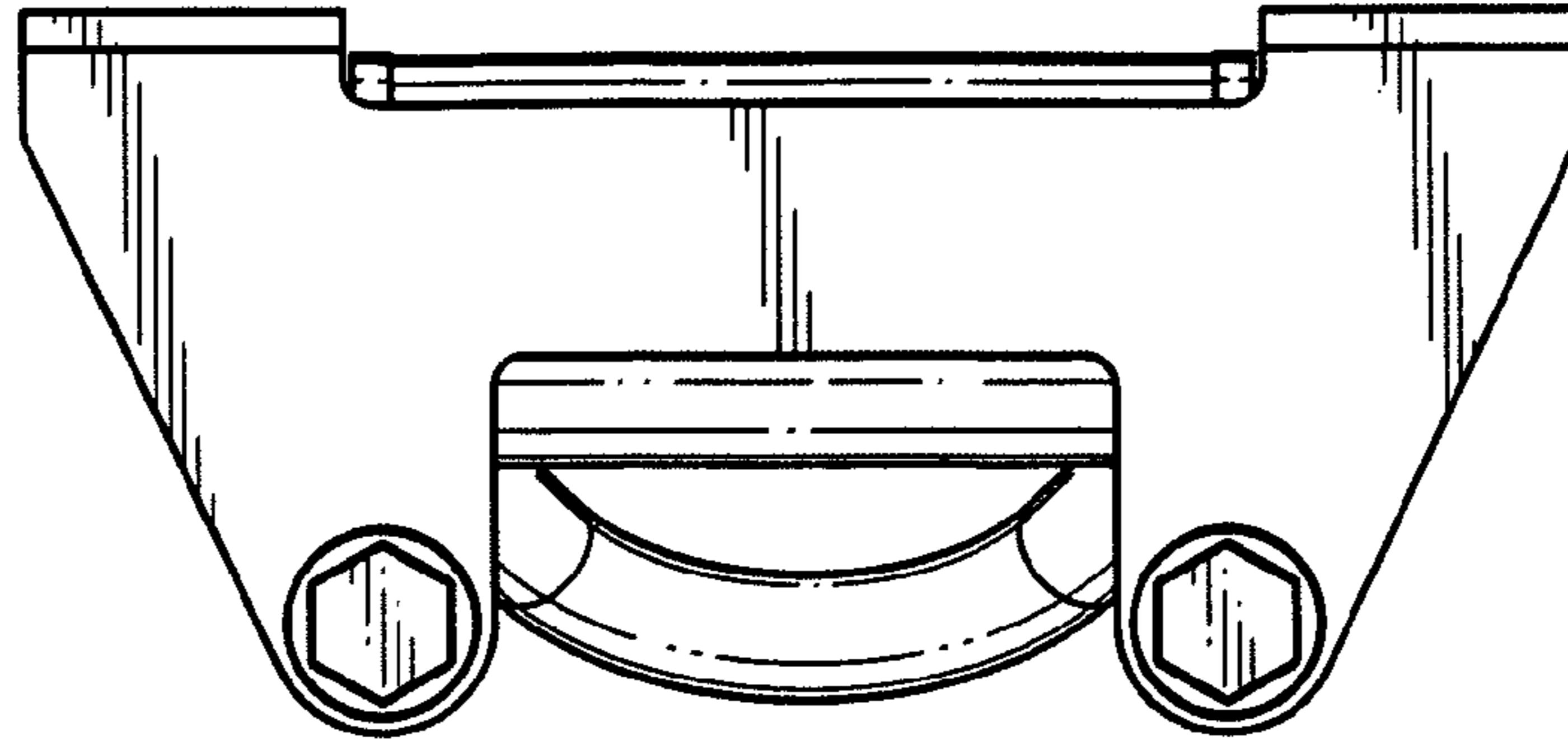


FIG. 4

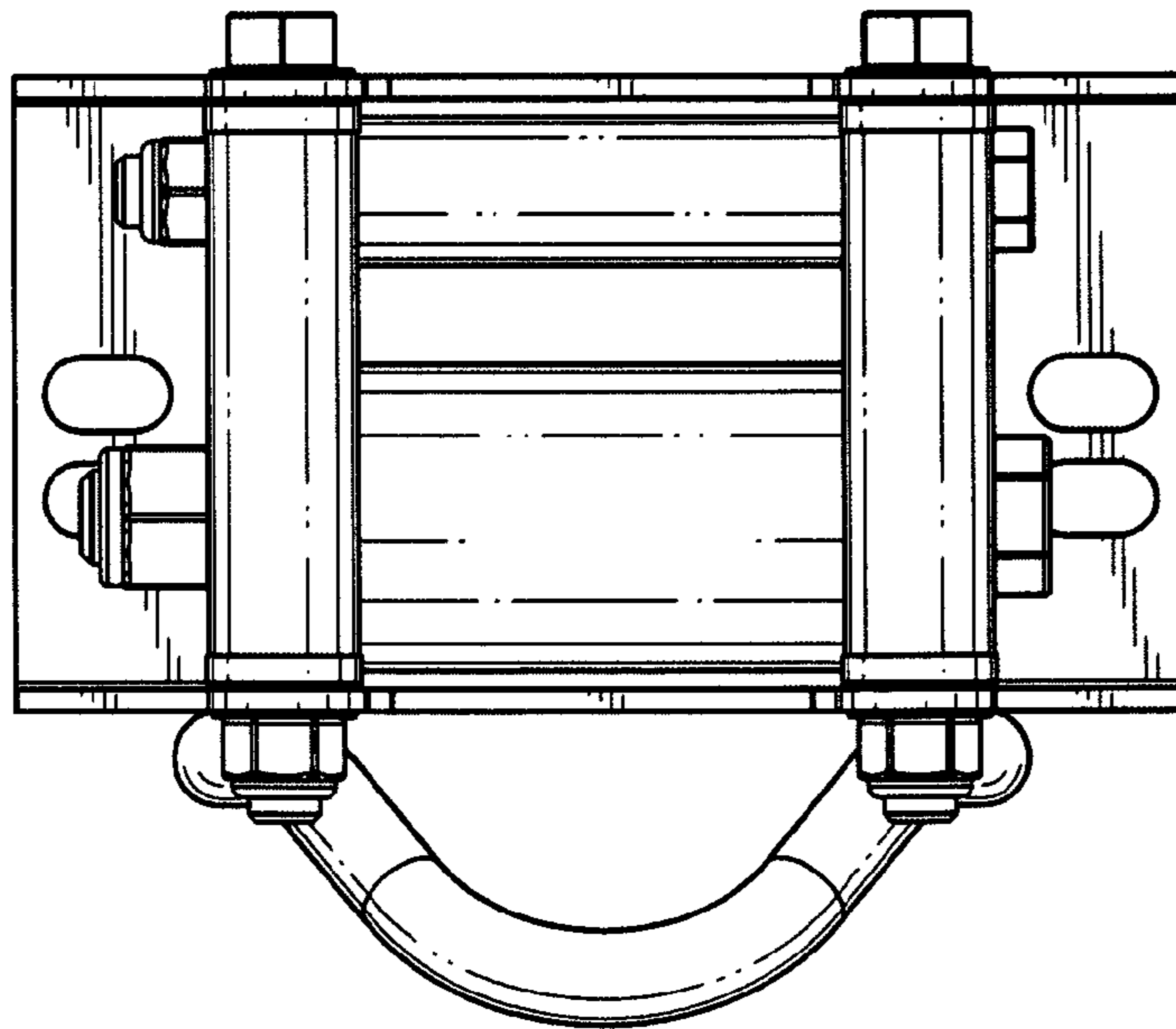


FIG. 3

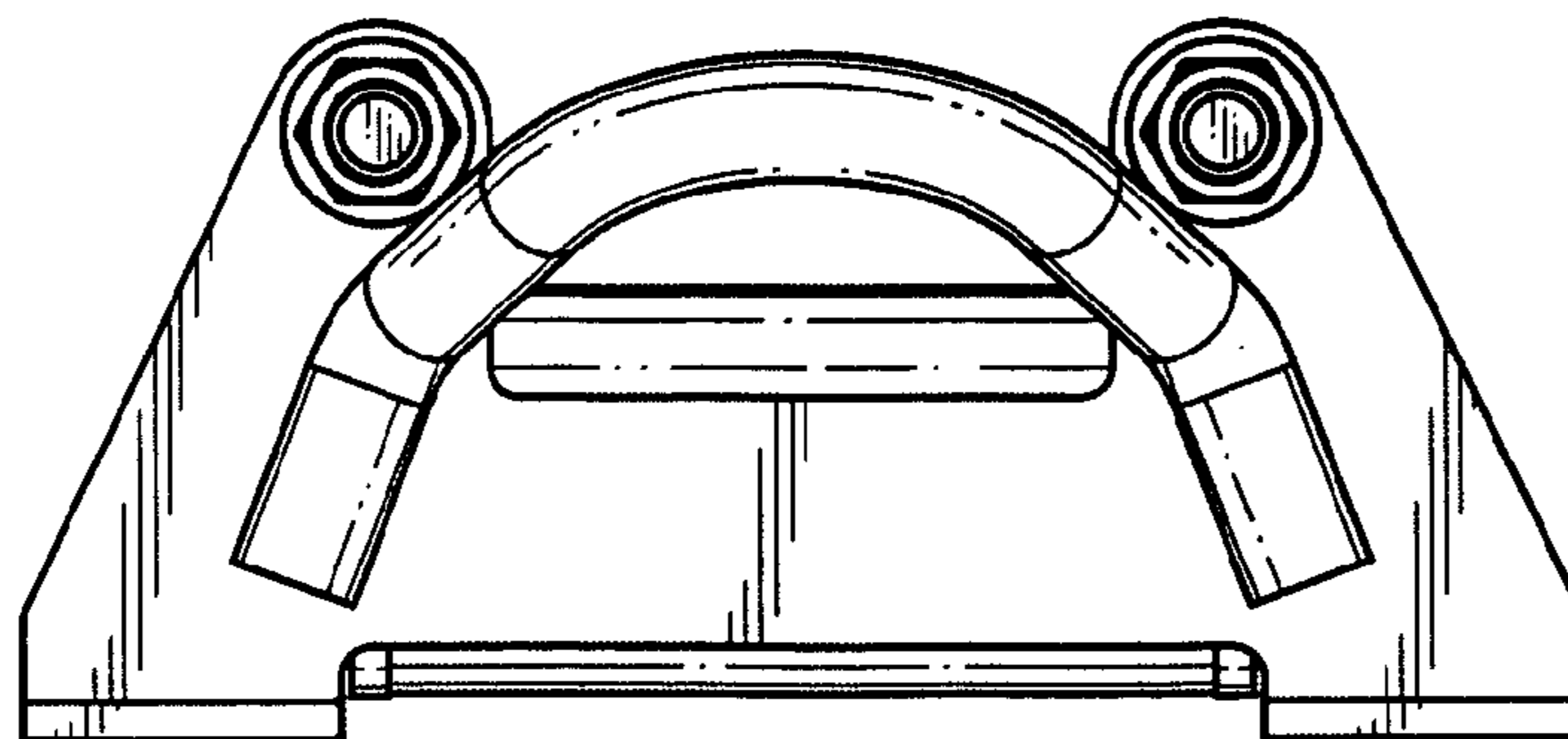


FIG. 5

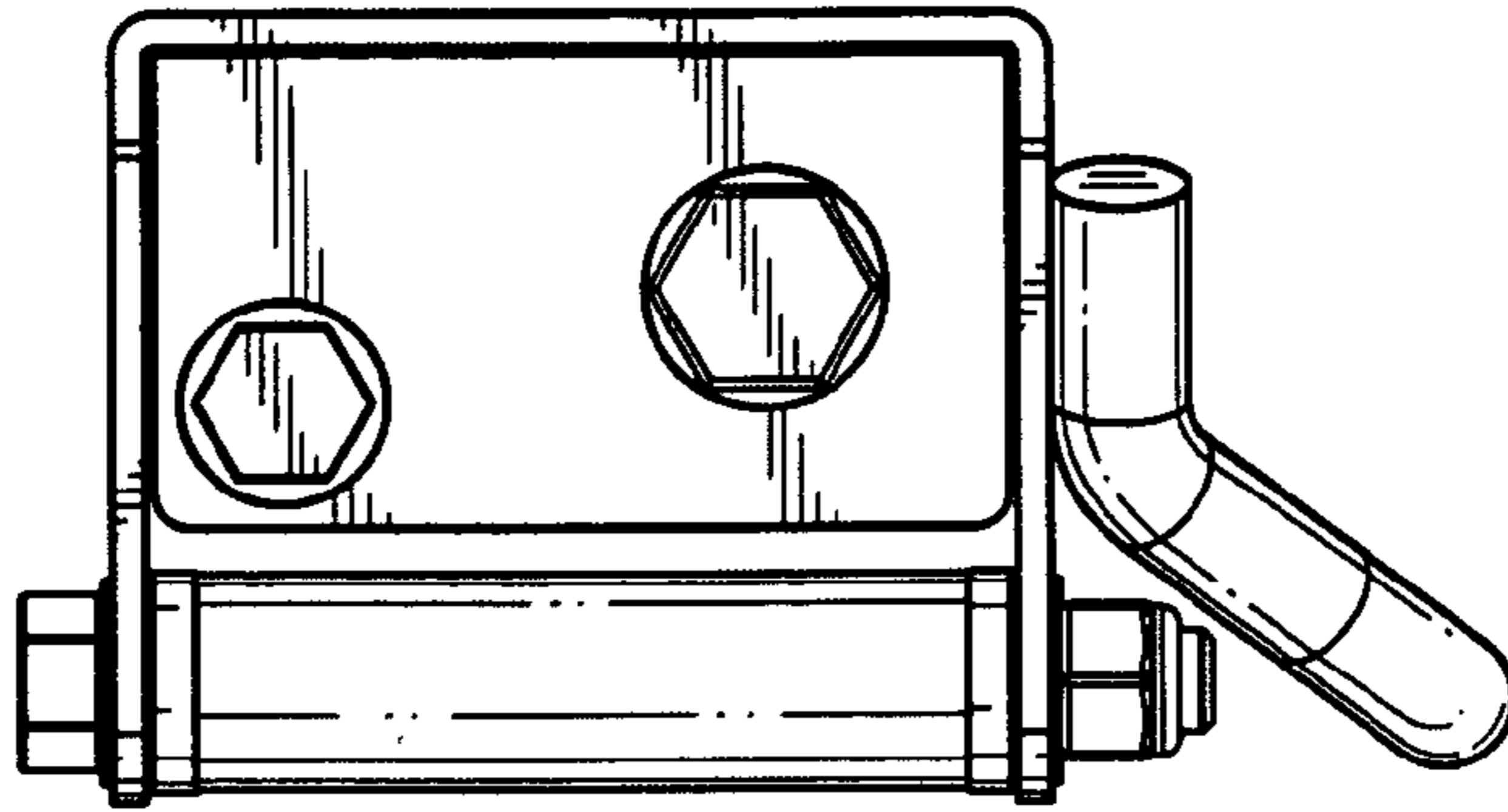


FIG. 7

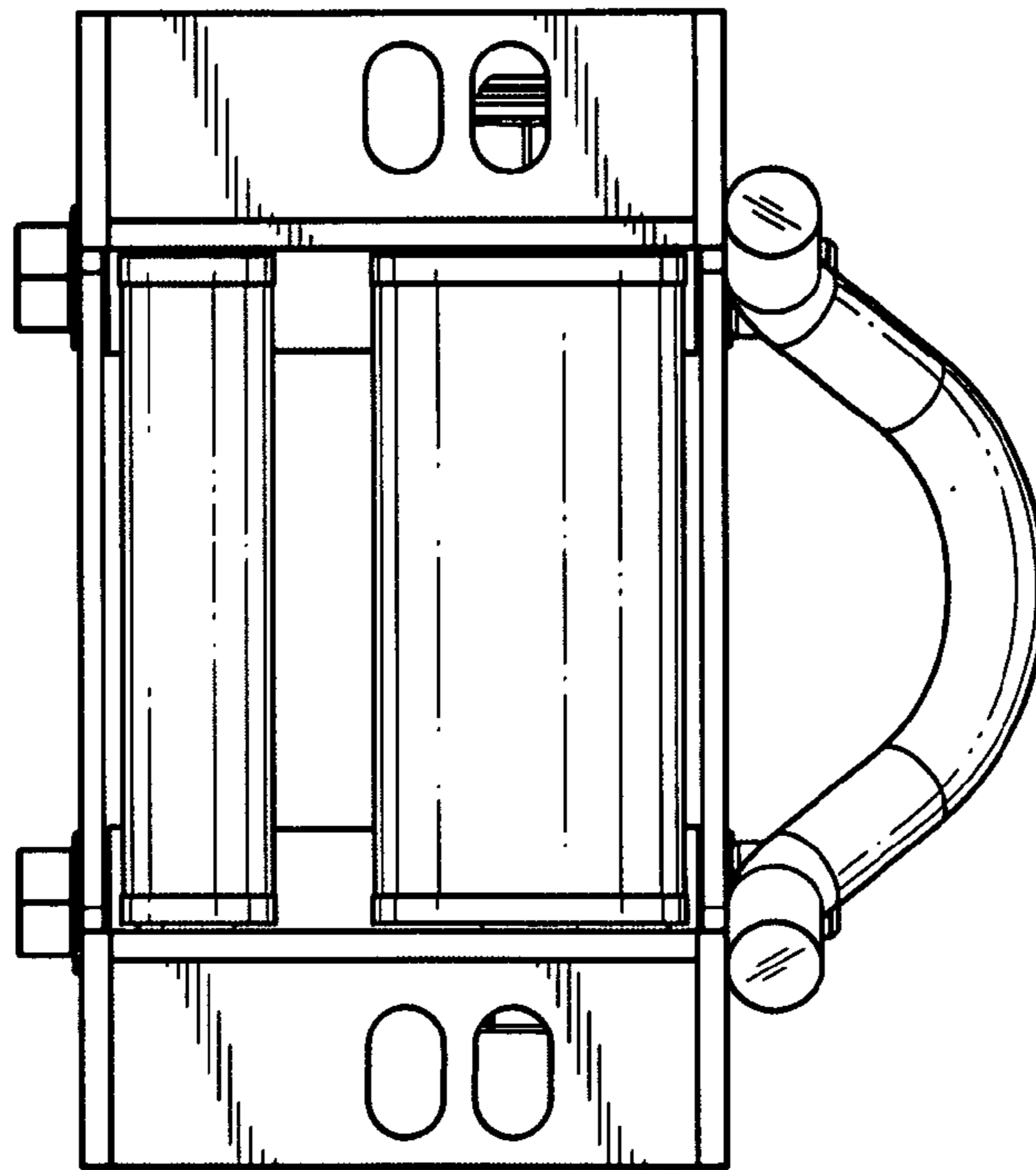


FIG. 6

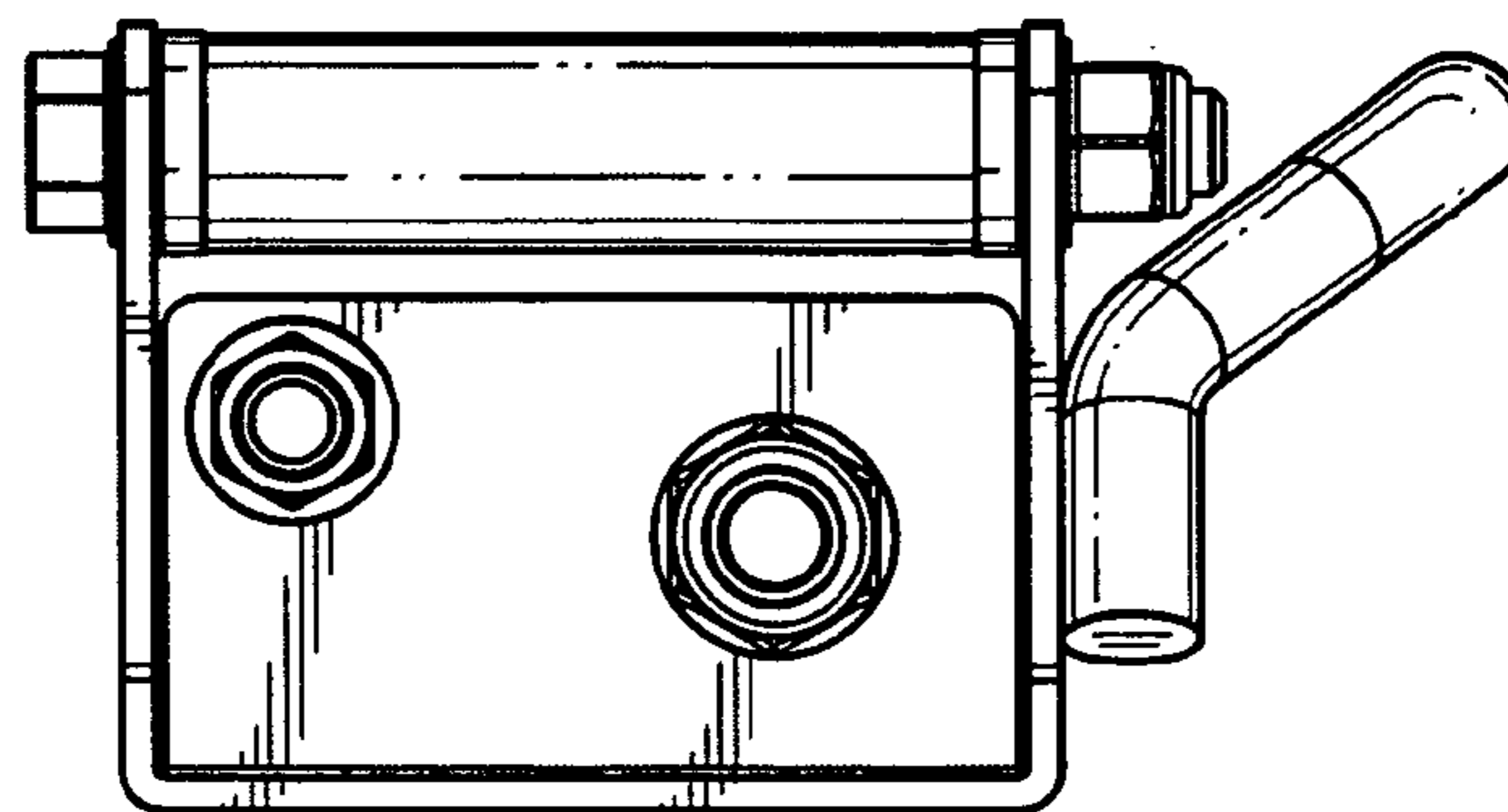


FIG. 8