



US00D622471S

(12) **United States Design Patent**
Hernandez

(10) **Patent No.:** **US D622,471 S**

(45) **Date of Patent:** **** Aug. 24, 2010**

(54) **PRESSURE WASHER FRAME**

(75) Inventor: **Hector R. Hernandez**, Fullerton, CA
(US)

(73) Assignee: **Alltrade Tools LLC**, Long Beach, CA
(US)

(**) Term: **14 Years**

(21) Appl. No.: **29/344,572**

(22) Filed: **Sep. 30, 2009**

(51) **LOC (9) Cl.** **12-02**

(52) **U.S. Cl.** **D34/12**

(58) **Field of Classification Search** D34/12-27;
280/47.24, 47.17, 47.19, 47.26, 47.34, 47.35,
280/49.3, 79.6, 472

See application file for complete search history.

(56) **References Cited**

U.S. PATENT DOCUMENTS

5,127,664	A *	7/1992	Cheng	280/655
6,116,623	A *	9/2000	Salvucci	280/47.26
D441,935	S *	5/2001	Cook	D34/24
D444,279	S *	6/2001	Kristiansen et al.	D34/12
D451,257	S *	11/2001	Moritsch	D34/24
D509,938	S *	9/2005	Belmont et al.	D34/12
7,195,255	B1 *	3/2007	Tsai	280/47.29
D580,610	S *	11/2008	Hawkins	D32/25
D581,123	S *	11/2008	Henderson	D34/12

D590,110 S * 4/2009 Hawkins D32/25
2008/0272578 A1 * 11/2008 Tsai 280/651

* cited by examiner

Primary Examiner—Cynthia E Ramirez

(74) *Attorney, Agent, or Firm*—Fulwider Patton LLP

(57) **CLAIM**

The ornamental design for a pressure washer frame, as shown and described.

DESCRIPTION

FIG. 1 is a perspective view of a pressure washer frame showing my new design;

FIG. 2 is a right side view thereof;

FIG. 3 is a front view thereof;

FIG. 4 is left side view thereof;

FIG. 5 is back view thereof;

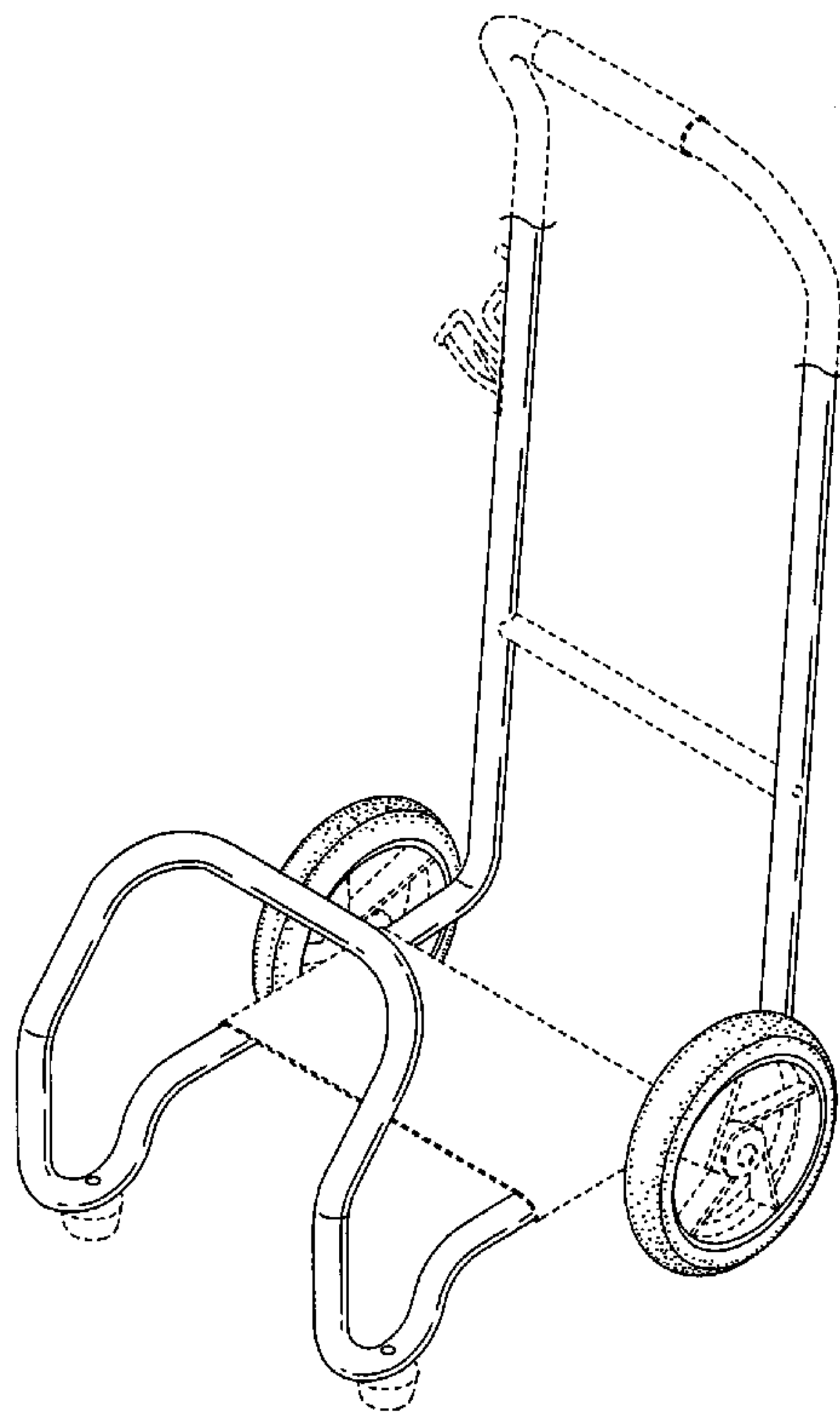
FIG. 6 is top view thereof; and,

FIG. 7 is a bottom view thereof.

The broken line showing of details in FIGS. 1-7 is included for the purpose of showing environmental portions of the pressure washer frame and forms no part of the claimed design.

The side bars on the frame are shown broken away to indicate that no specific length is claimed.

1 Claim, 3 Drawing Sheets



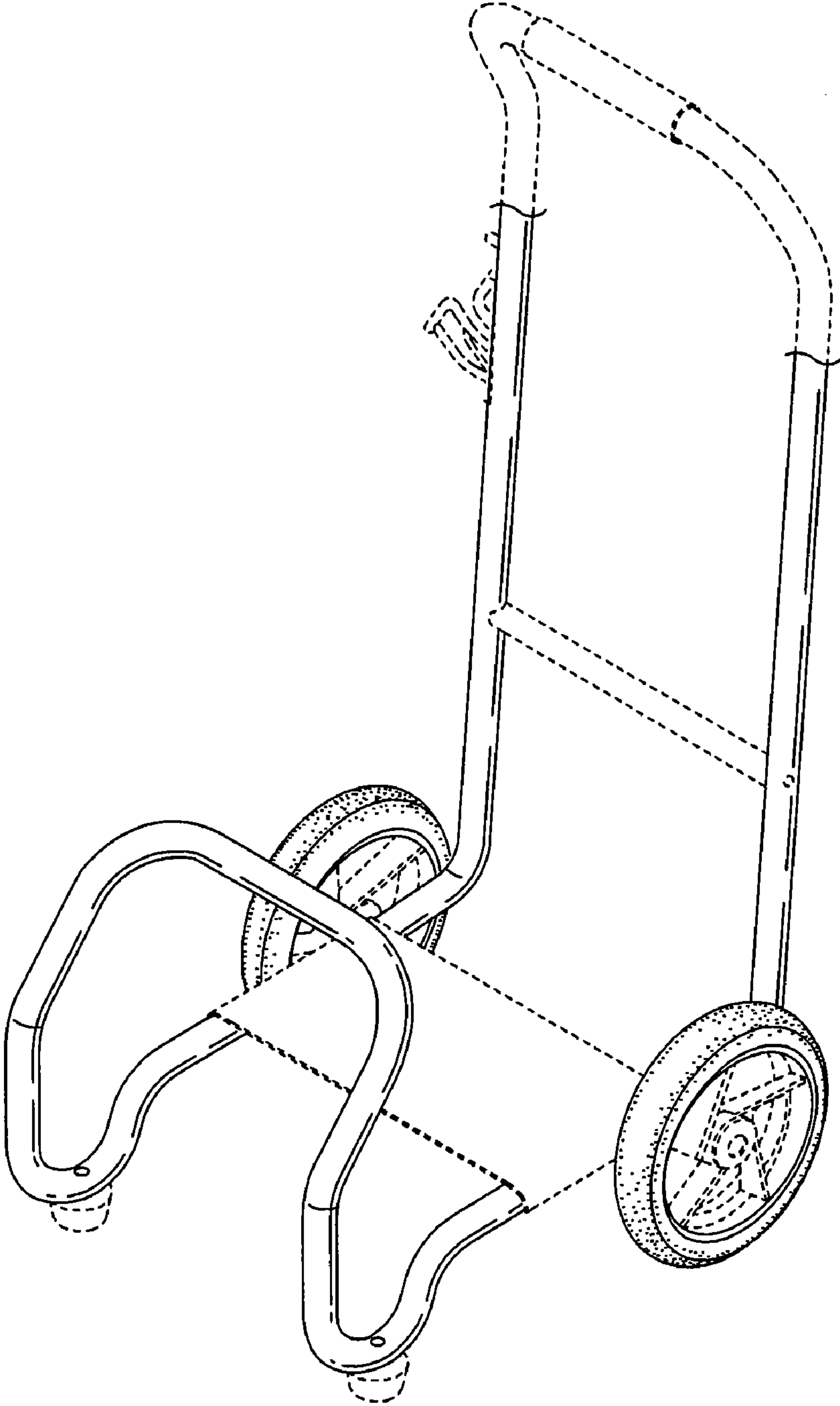


Fig. 1

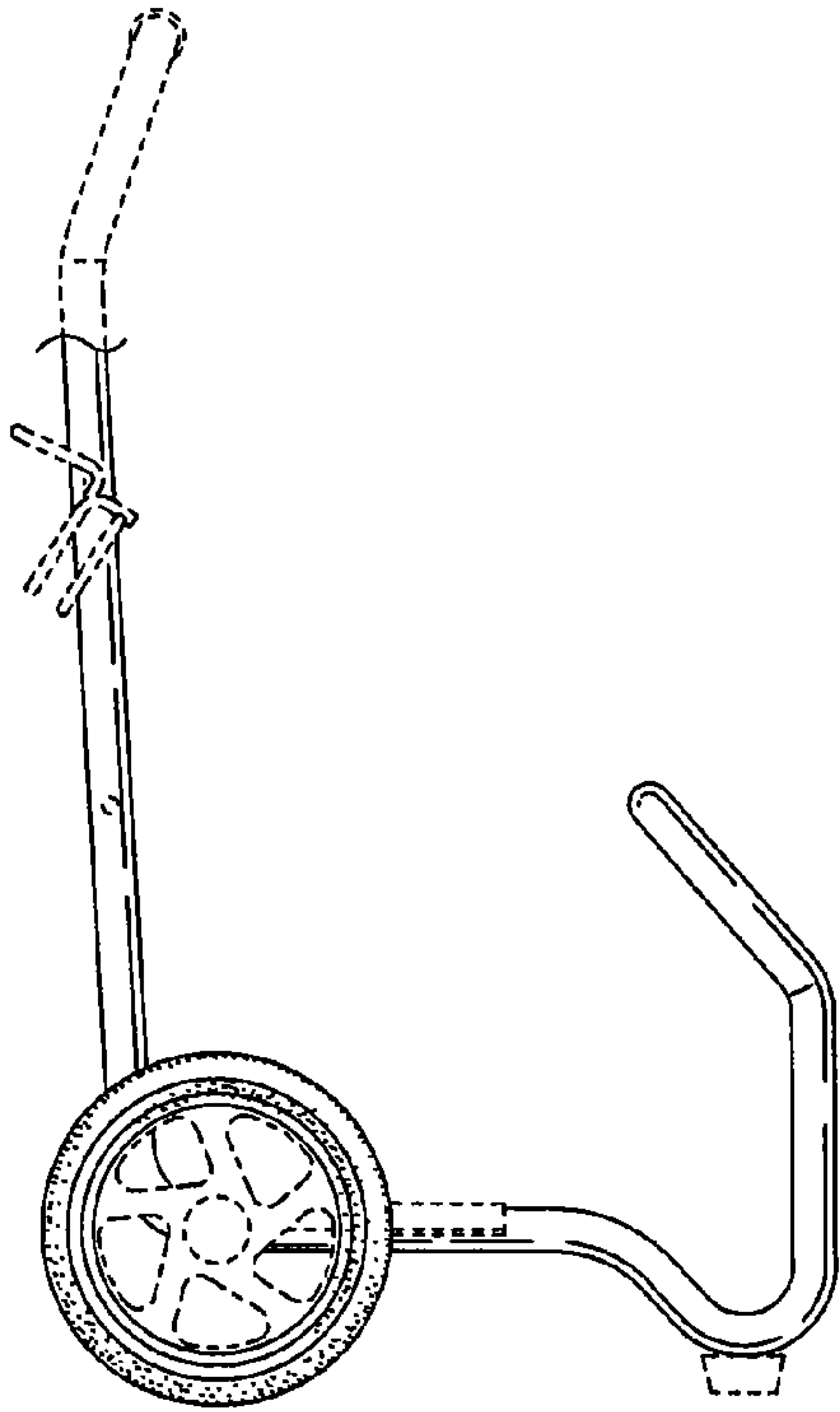


Fig. 2

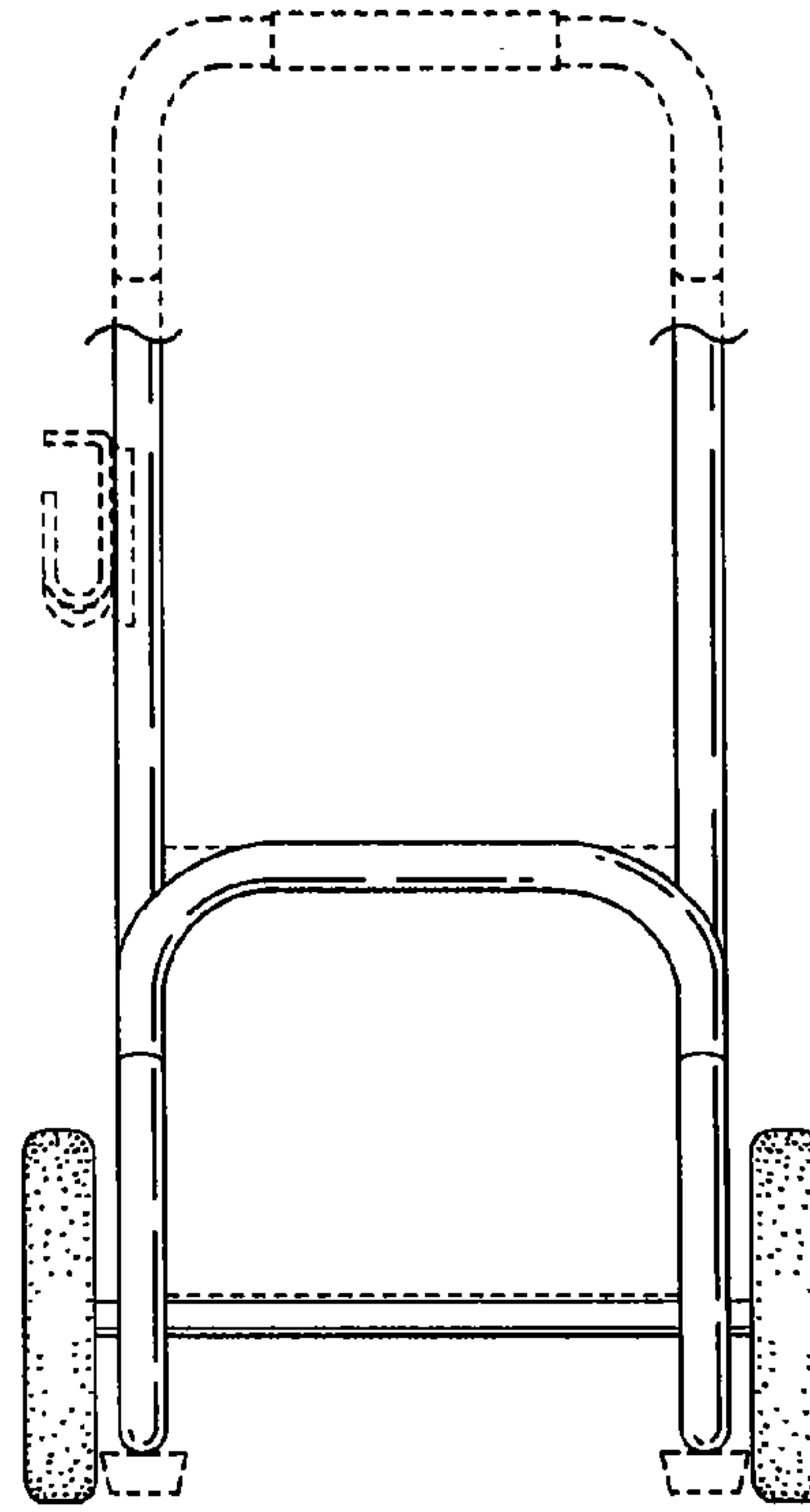


Fig. 3

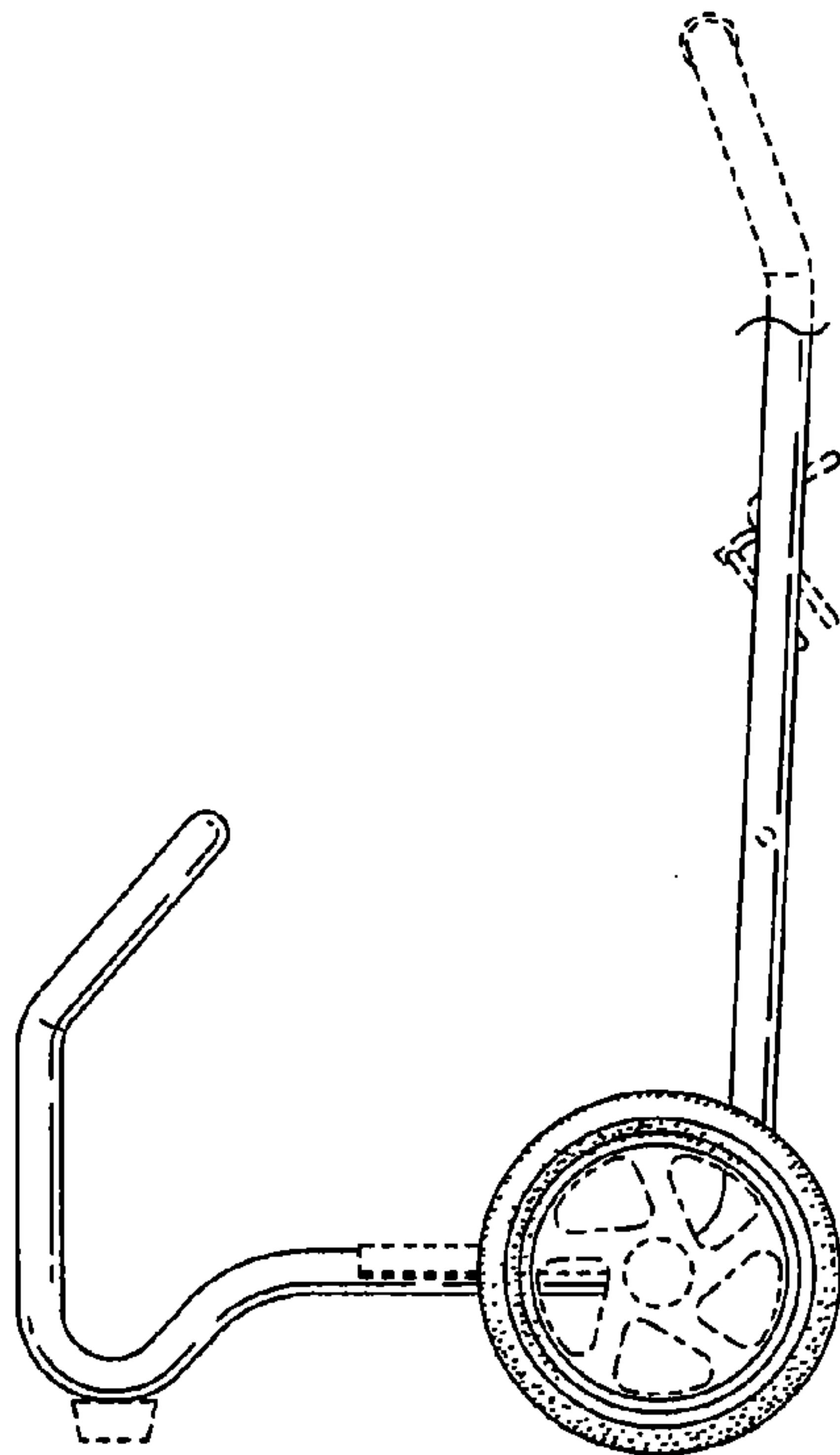


Fig. 4

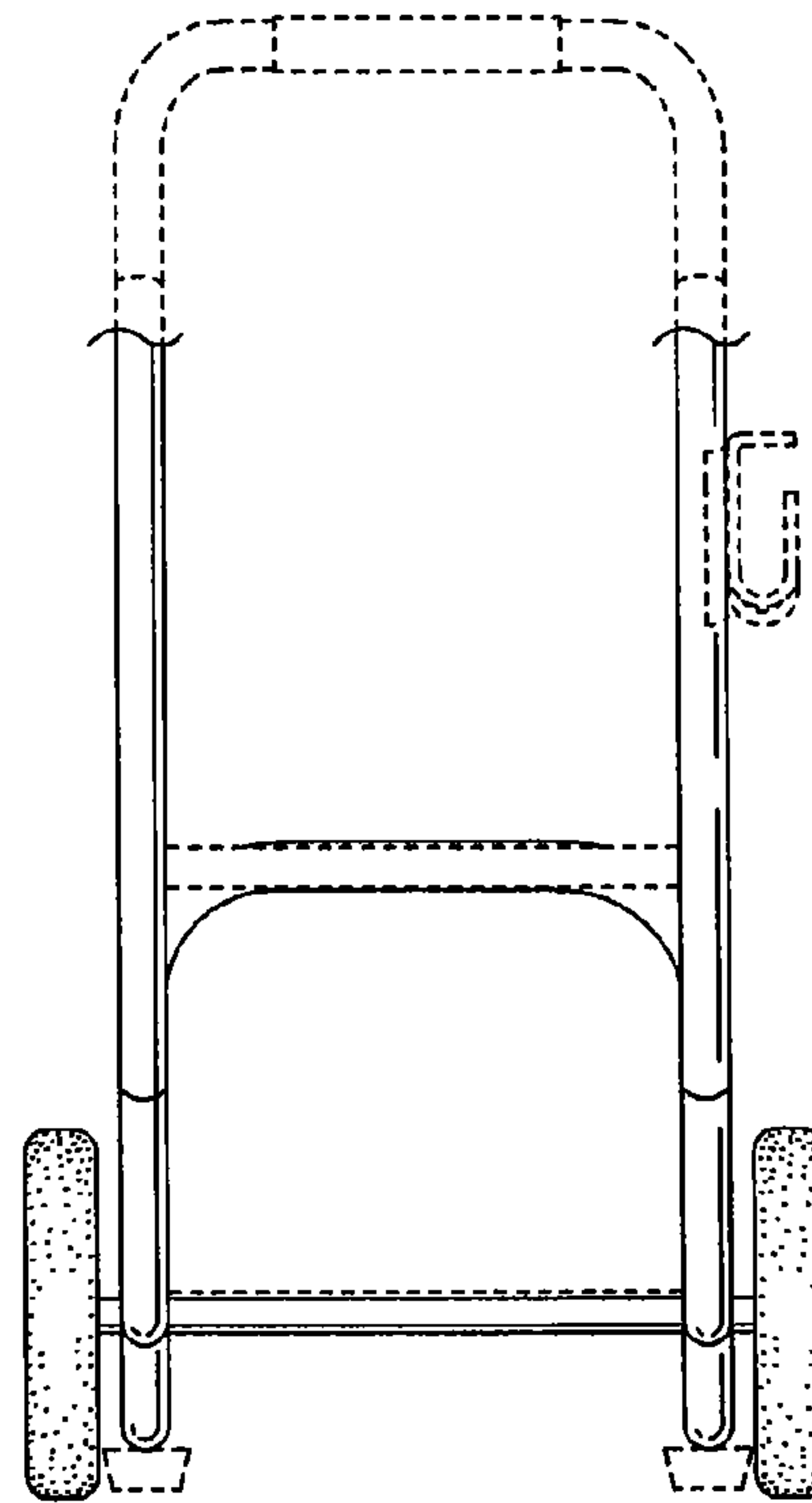


Fig. 5

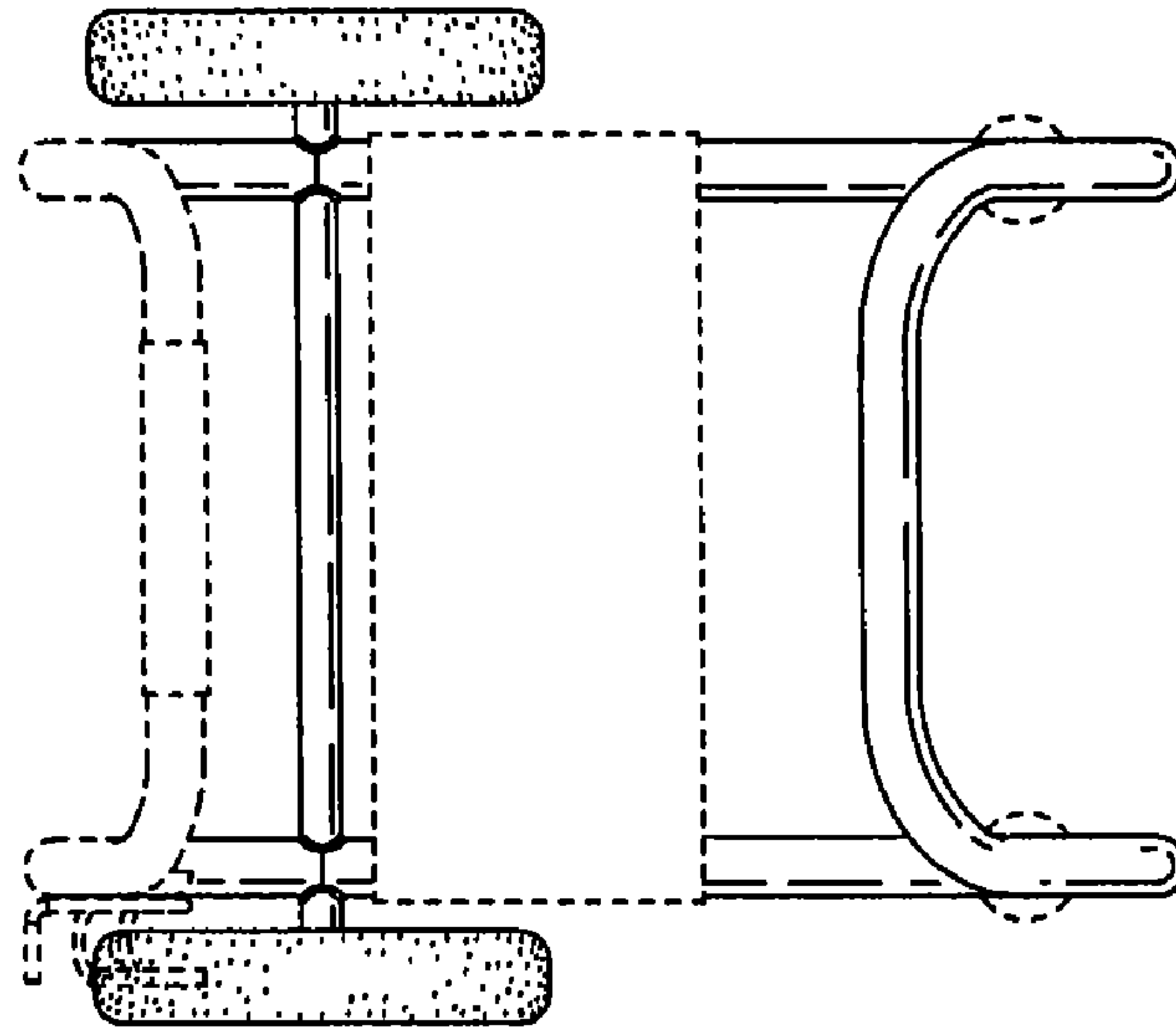


Fig. 6

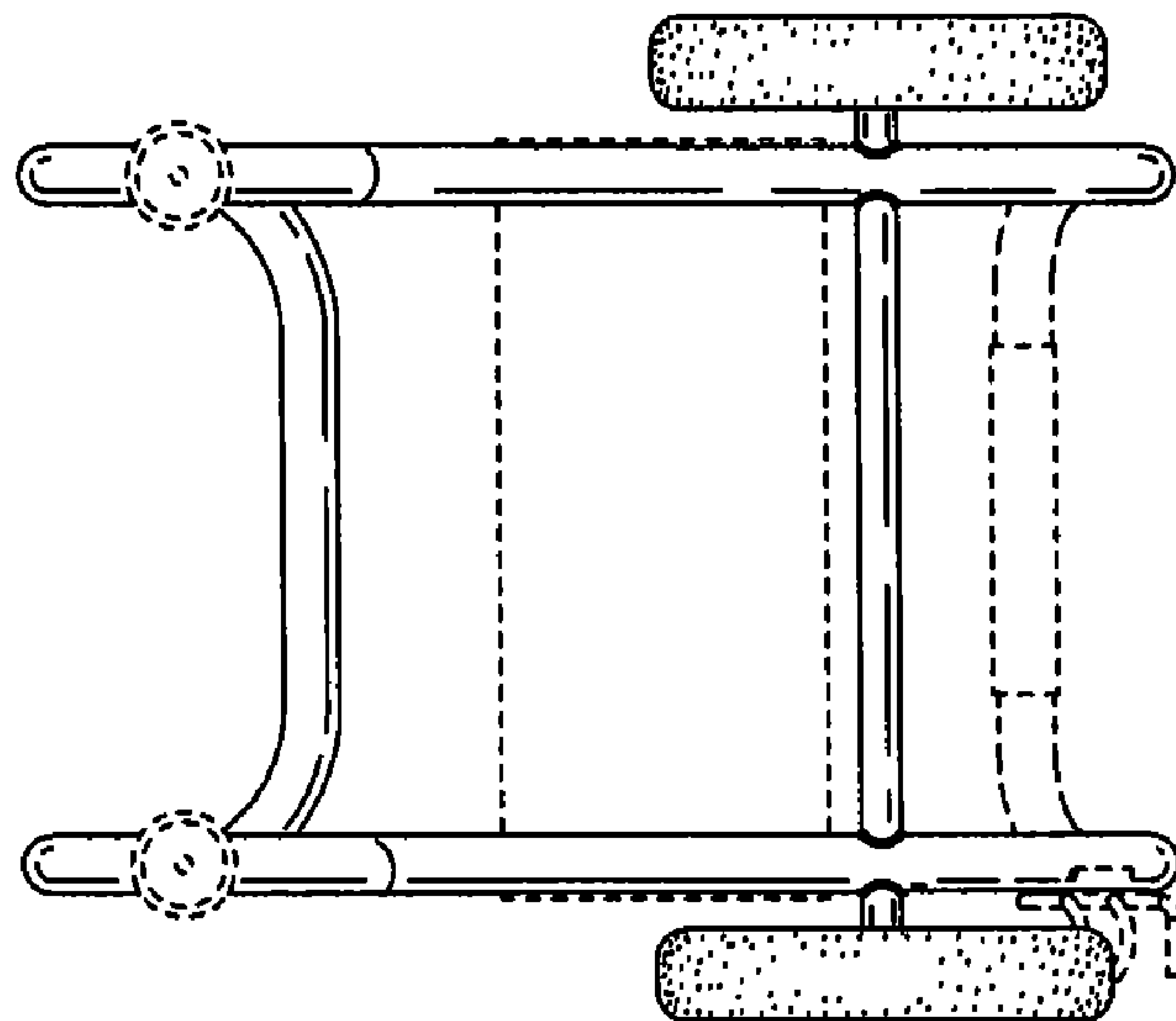


Fig. 7