



US00D622469S

(12) **United States Design Patent**
Nacey

(10) **Patent No.:** **US D622,469 S**

(45) **Date of Patent:** **** Aug. 24, 2010**

(54) **PAINTBRUSH SUPPORT DEVICE**

(76) **Inventor:** **Shaun K. Nacey**, 8560 Pebble Creek Cir., Sandy, UT (US) 84093

(**) **Term:** **14 Years**

(21) **Appl. No.:** **29/345,391**

(22) **Filed:** **Oct. 15, 2009**

(51) **LOC (9) Cl.** **07-07**

(52) **U.S. Cl.** **D32/54**

(58) **Field of Classification Search** D32/53,
D32/53.1, 54; D8/373; 248/110, 113; 222/570;
220/570, 695, 736, 697, 701, 700, 733; 211/65,
211/66

See application file for complete search history.

(56) **References Cited**

U.S. PATENT DOCUMENTS

568,121 A	9/1896	Varian	
1,024,841 A	4/1912	Emery	
1,703,008 A	2/1929	Justice	
1,754,366 A	4/1930	Lissy	
1,865,283 A	6/1932	Sehnlé	
4,867,506 A *	9/1989	Chavez	297/188.2
5,016,773 A	5/1991	Lockwood	
D358,691 S *	5/1995	Engle	D32/54
D364,949 S	12/1995	Birch	
5,913,450 A *	6/1999	Runkel	220/696
6,056,253 A *	5/2000	Tripp	248/213.2

D461,289 S *	8/2002	LoSacco et al.	D32/54
6,871,825 B2 *	3/2005	Song	248/113
D613,921 S *	4/2010	Tsui et al.	D32/52
2005/0161460 A1	7/2005	Depasquale et al.	

* cited by examiner

Primary Examiner—Cynthia E Ramirez

(57) **CLAIM**

The ornamental design for a paintbrush support device, as shown and described.

DESCRIPTION

FIG. 1 is a side elevated view of a paintbrush support device showing my new design;

FIG. 2 is a front elevated view of the paintbrush support device;

FIG. 3 is a rear elevated view of the paintbrush support device;

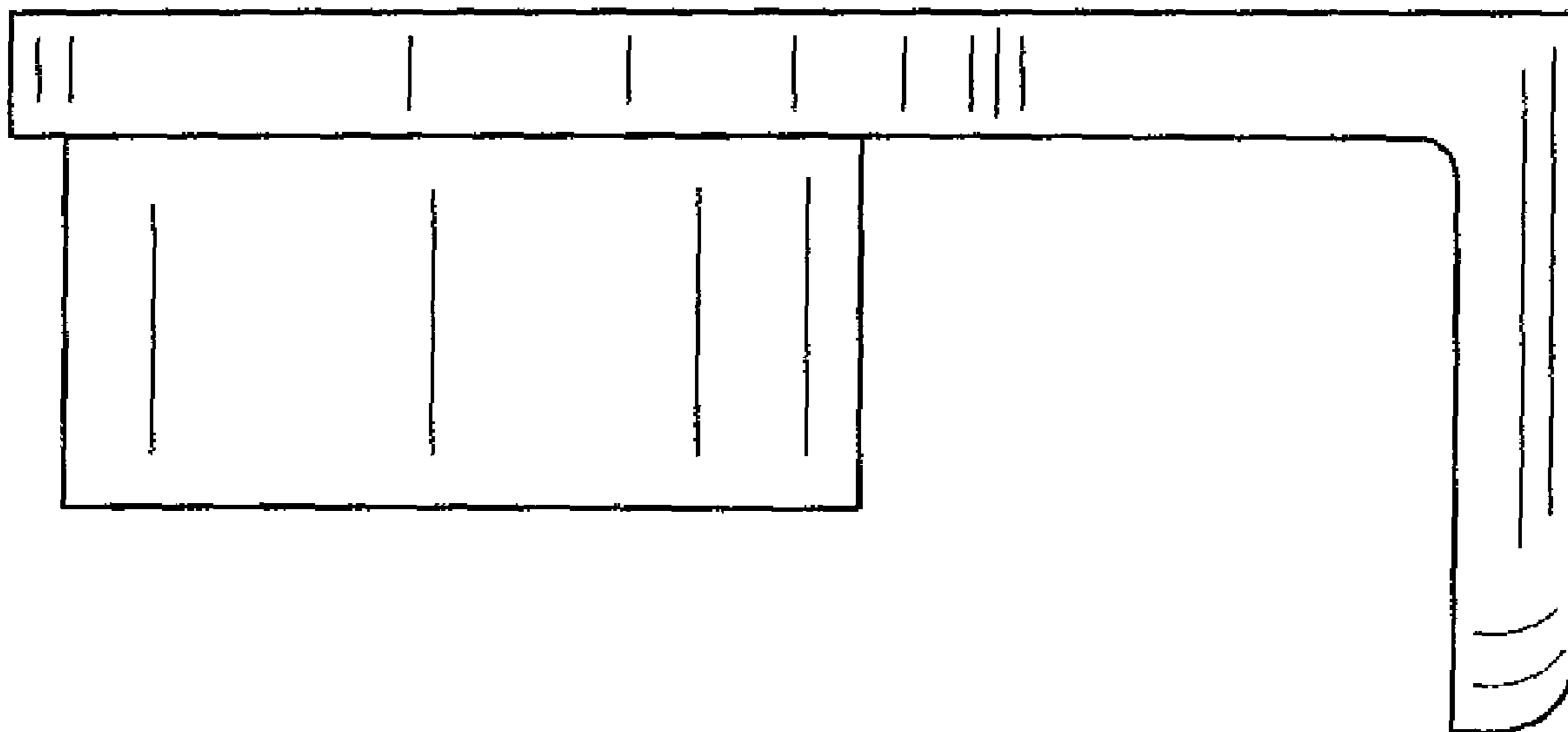
FIG. 4 is a top plan view of the paintbrush support device;

FIG. 5 is a bottom plan view of the paintbrush support device; and,

FIG. 6 is a top perspective view of the paintbrush support device.

The phantom lines shown in FIG. 6 are for illustrative purposes and form no part of the claimed design.

1 Claim, 4 Drawing Sheets



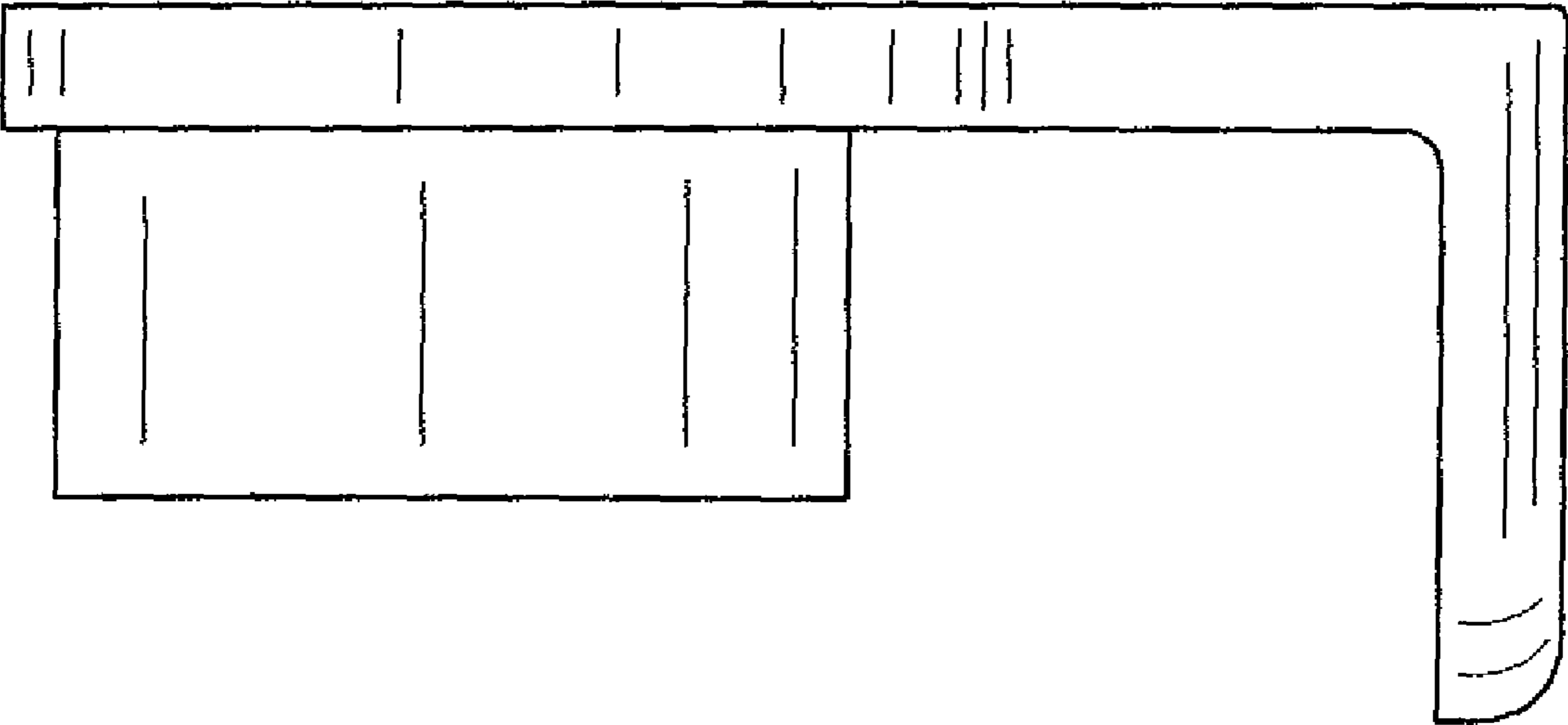


FIG. 1

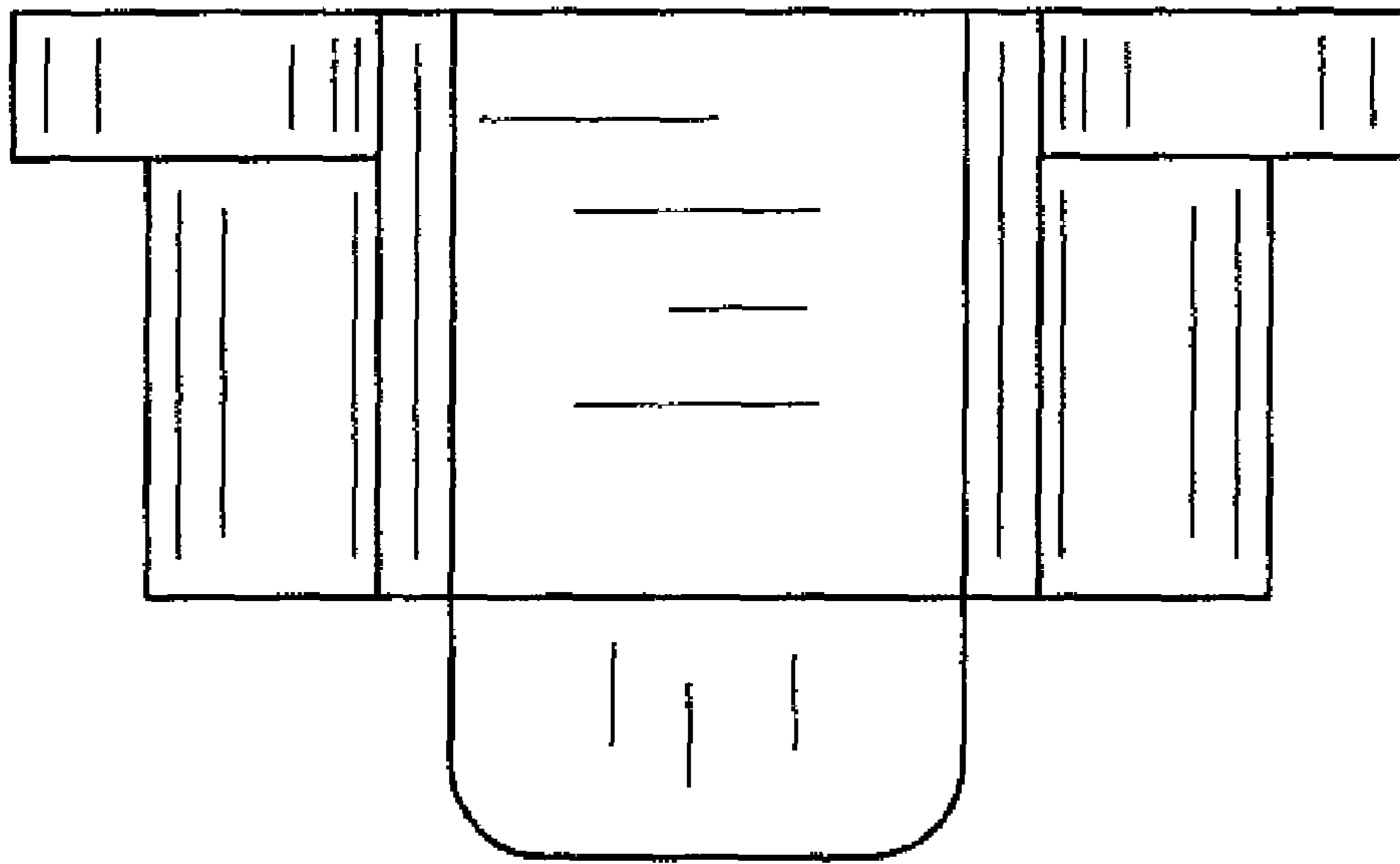


FIG. 2

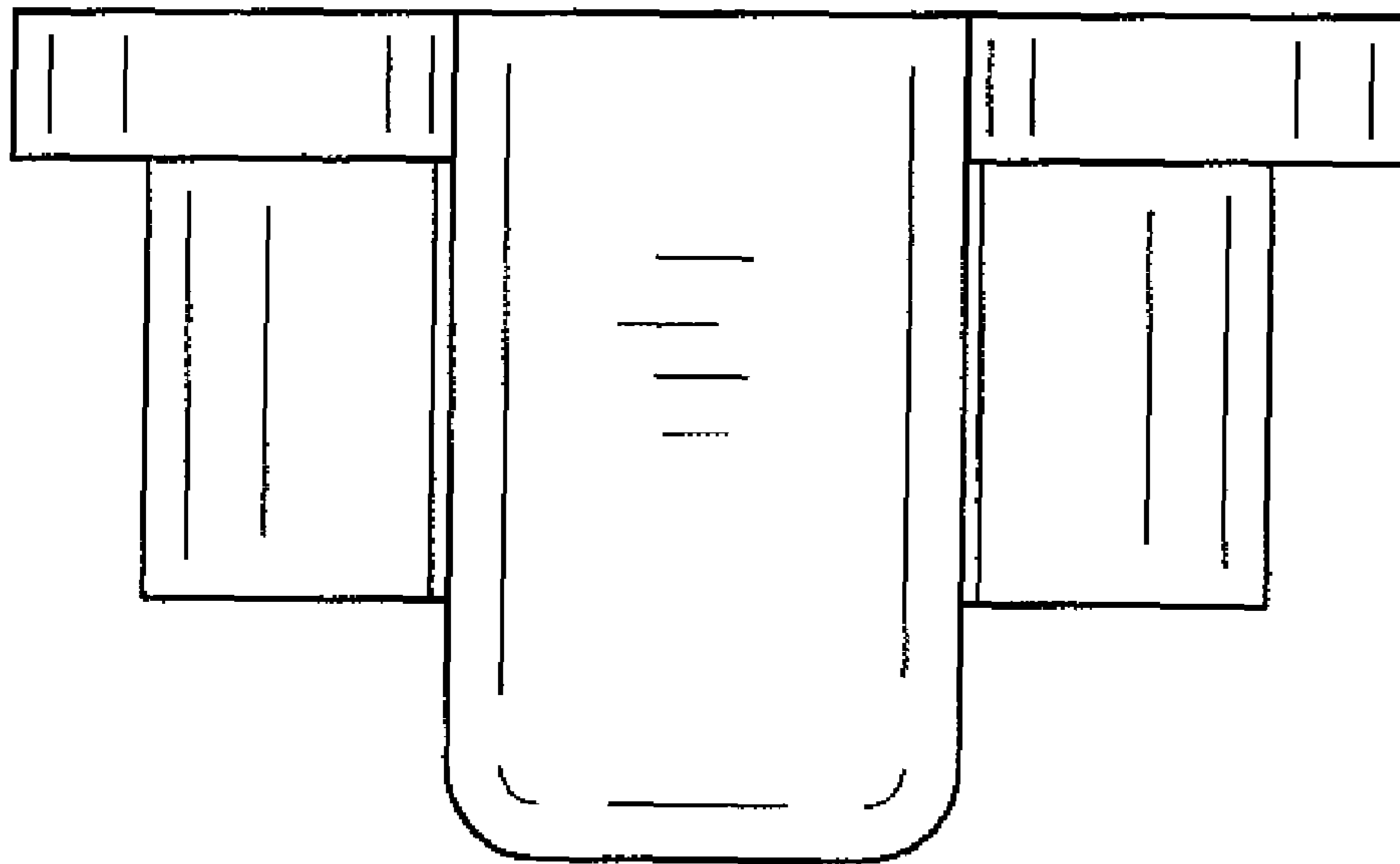


FIG. 3

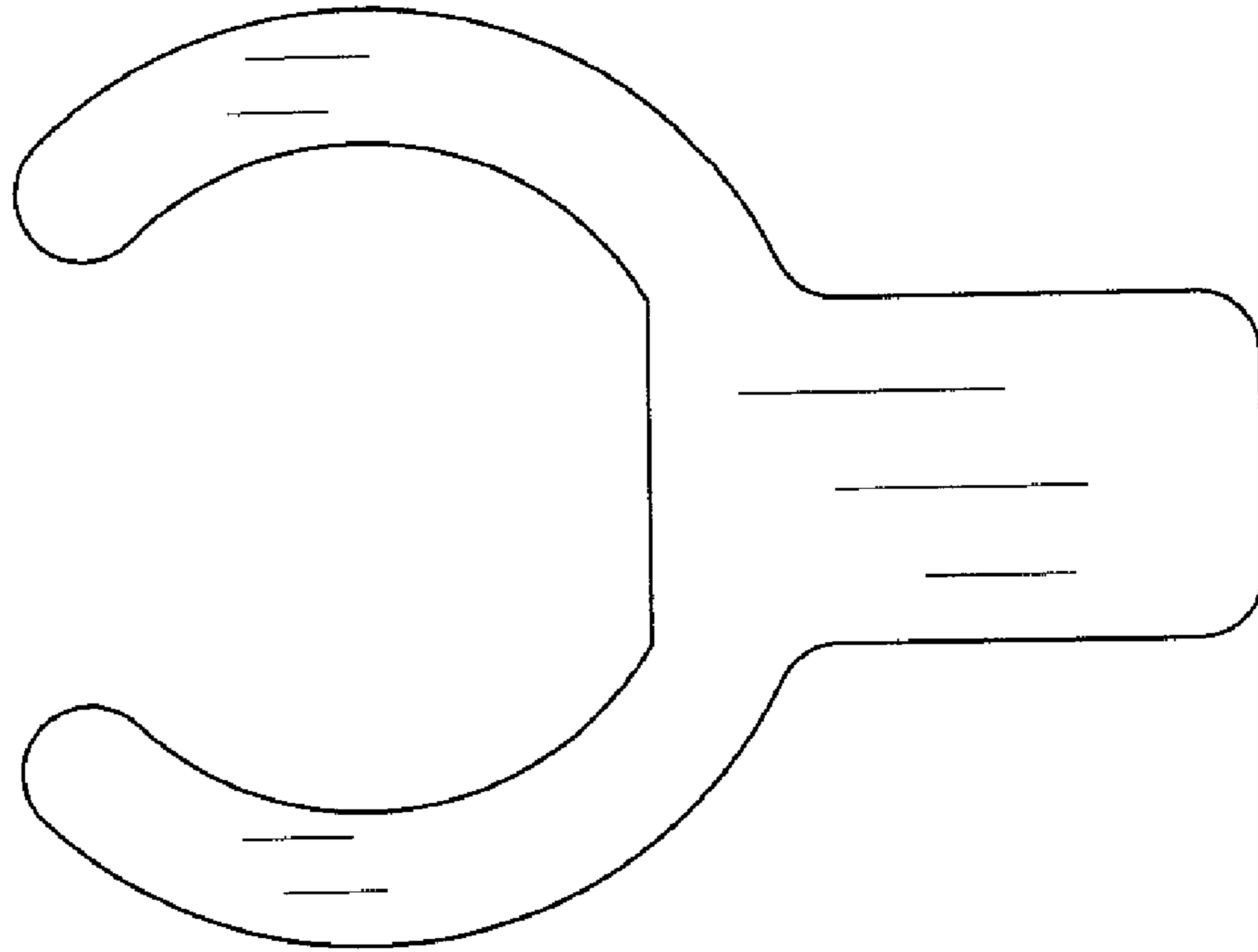


FIG. 4

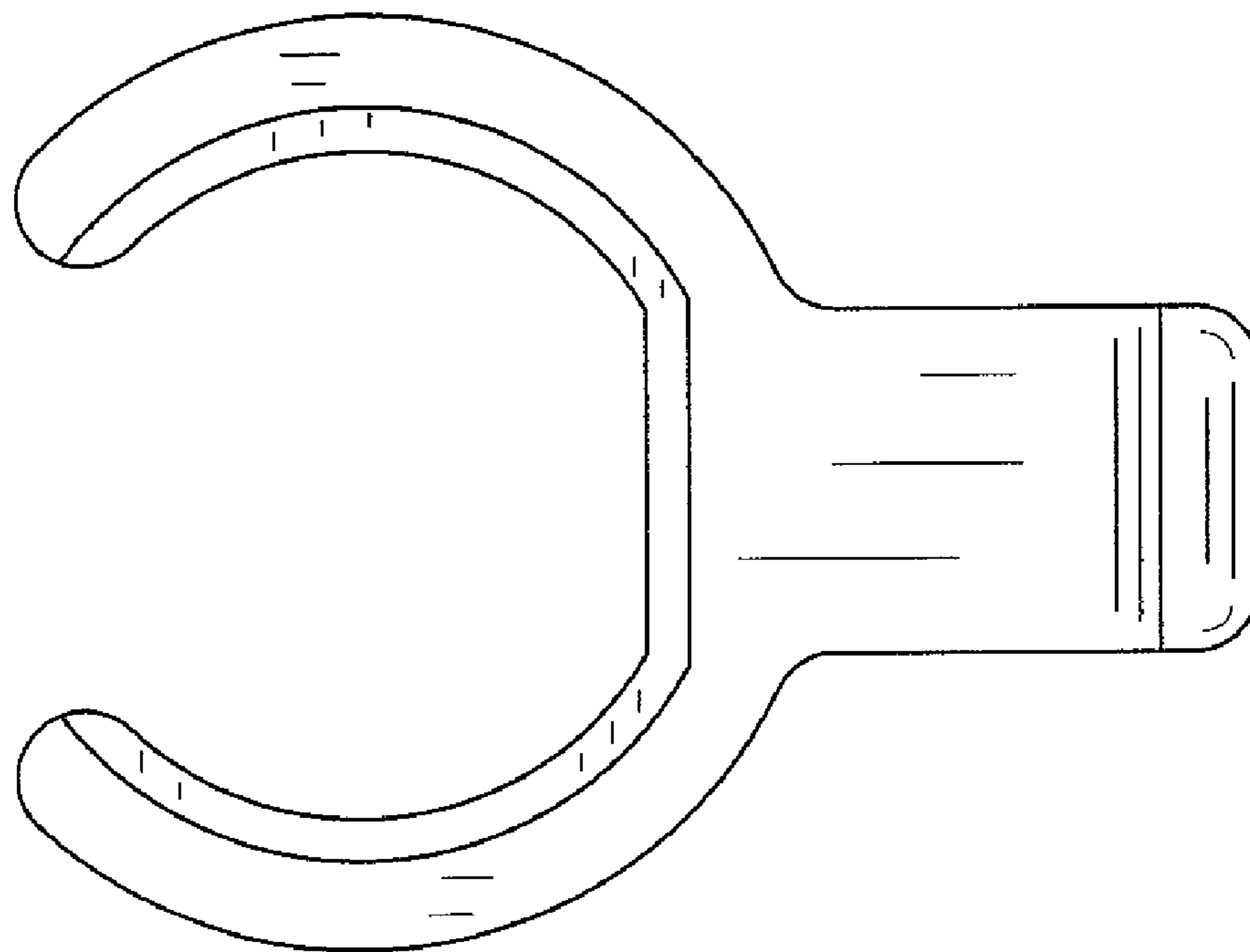


FIG. 5

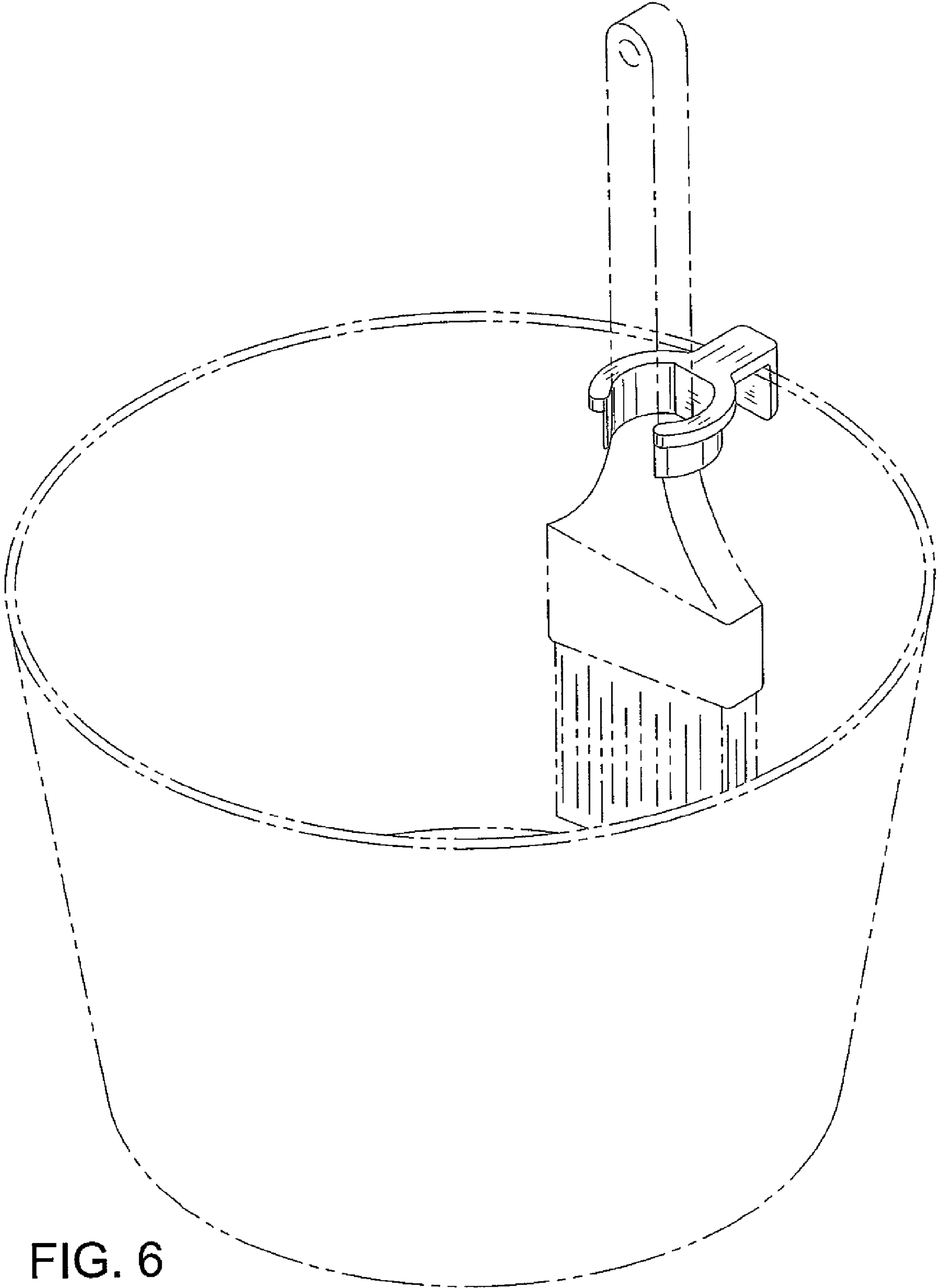


FIG. 6