



US00D622468S

(12) **United States Design Patent**
Parker

(10) **Patent No.:** **US D622,468 S**

(45) **Date of Patent:** **** Aug. 24, 2010**

(54) **KNIFE CLEANING BRUSH**

7,200,891 B1 * 4/2007 McCulloch et al. 15/104.92
2007/0261727 A1 11/2007 Ho et al.

(76) Inventor: **Matt Parker**, 2053 Harvard Ave.,
Dunedin, FL (US) 34898

FOREIGN PATENT DOCUMENTS

GB 2317815 A 8/1998

(**) Term: **14 Years**

* cited by examiner

(21) Appl. No.: **29/355,095**

Primary Examiner—Robin V Webster

(22) Filed: **Feb. 2, 2010**

(74) *Attorney, Agent, or Firm*—Larson & Larson, P.A.; Frank
Liebenow

(51) **LOC (9) Cl.** **04-01**

(57) **CLAIM**

(52) **U.S. Cl.** **D32/42**

(58) **Field of Classification Search** D32/35,
D32/40-44; 15/105, 104.92, 218.1

I claim the ornamental design for an knife cleaning brush, as
shown and described.

See application file for complete search history.

DESCRIPTION

(56) **References Cited**

FIG. 1 is a front elevation view of the knife cleaning brush
showing my novel design;

U.S. PATENT DOCUMENTS

FIG. 2 is a rear elevation view thereof;

496,213	A	*	4/1893	Storey	15/218.1
651,644	A	*	6/1900	Abbott	15/218.1
1,349,123	A		8/1920	Erikson		
1,449,457	A		3/1923	Sullivan		
1,497,648	A		6/1923	Kohler		
2,237,761	A		9/1937	Leano		
2,140,209	A		10/1937	Rietveld		
3,094,730	A		6/1963	Schwarz		
3,982,357	A		9/1976	Eldridge et al.		
4,011,693	A		3/1977	Eldridge, Jr. et al.		
4,547,923	A		10/1985	DeVries et al.		
5,191,670	A	*	3/1993	Lake et al.	15/160
D348,591	S		7/1994	Willis		
5,577,289	A		11/1996	Russell		
5,647,084	A	*	7/1997	Still et al.	15/104.92
5,652,993	A		8/1997	Kreyer		

FIG. 3 is a right side view thereof;

FIG. 4 is a left side view thereof;

FIG. 5 is a top plan view thereof;

FIG. 6 is a bottom plan view thereof;

FIG. 7 is a perspective view thereof;

FIG. 8 is a perspective view thereof; and,

FIG. 9 is a perspective view thereof.

The broken lines depicting a knife and part of a sink in FIGS.
8 and 9 are for illustrative purposes only and form no part of
the claimed design.

1 Claim, 6 Drawing Sheets

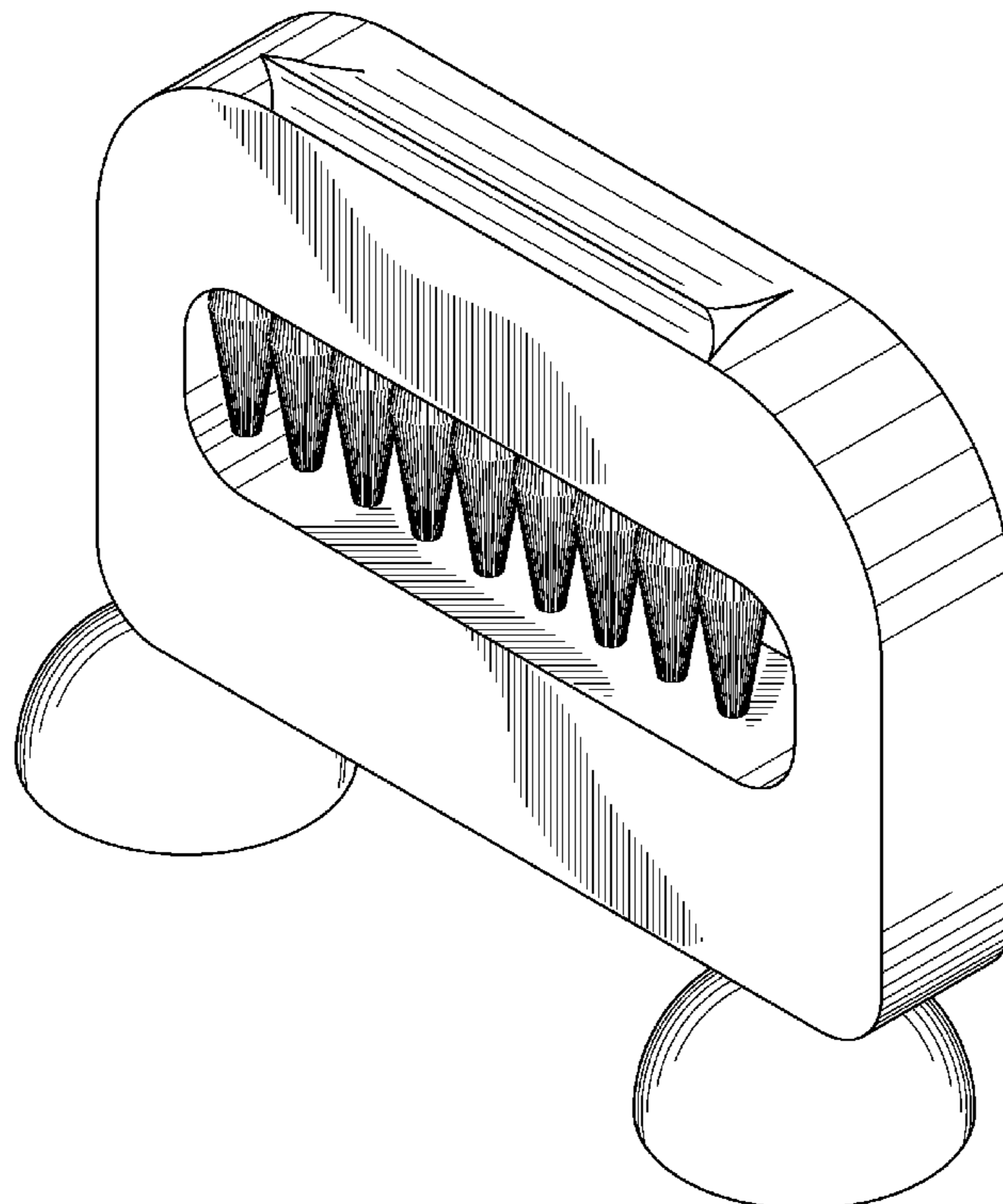


FIG. 1

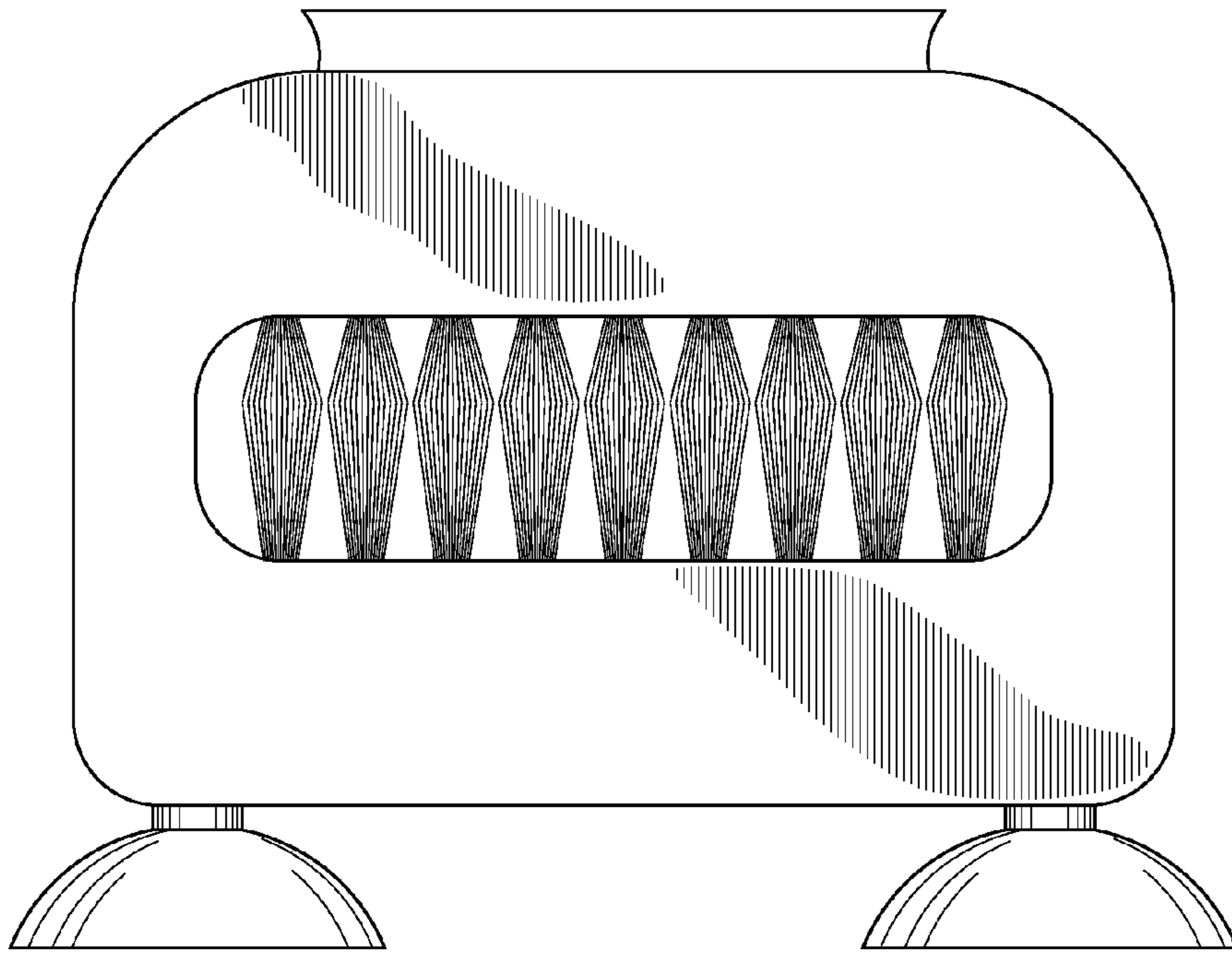


FIG. 2

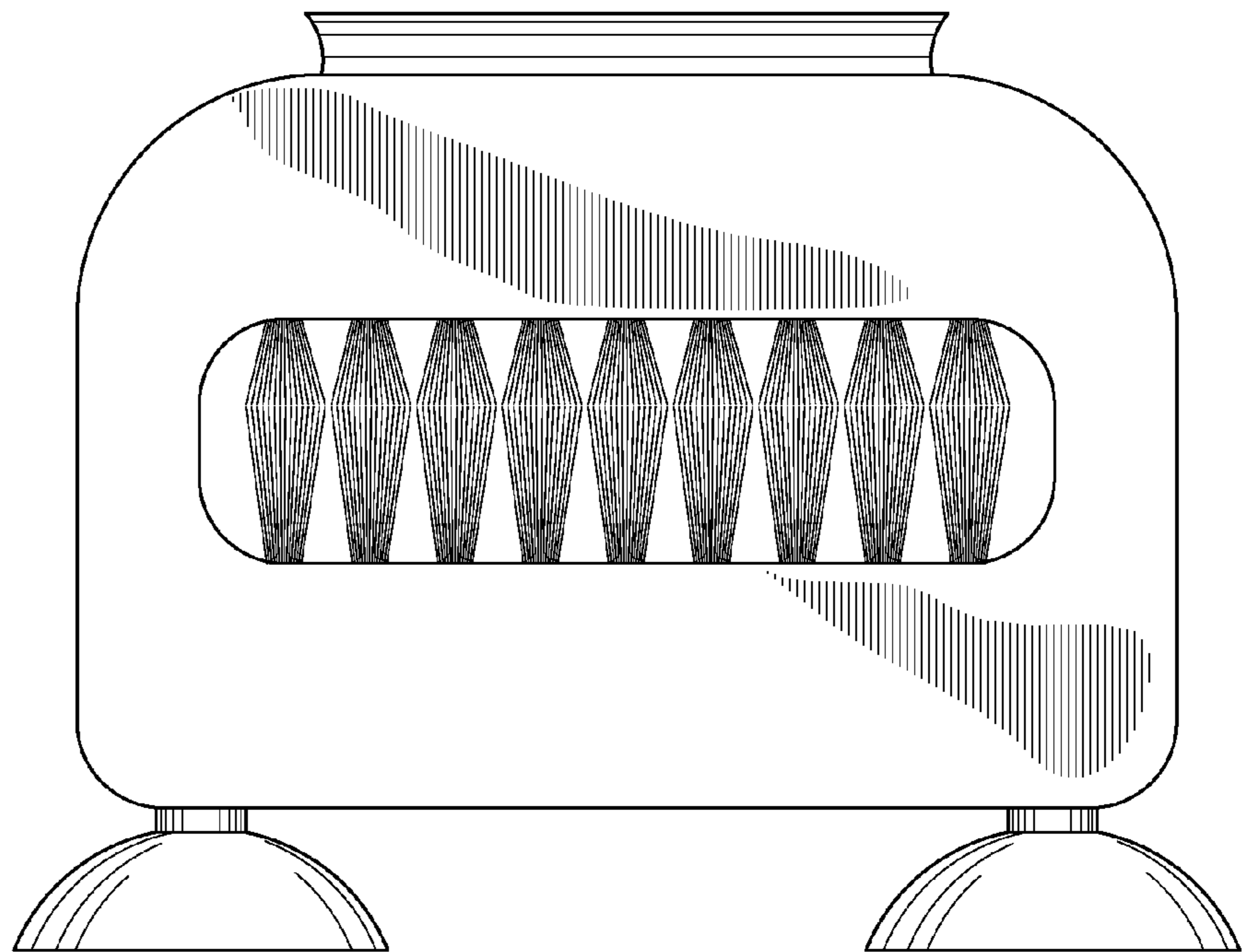


FIG. 3

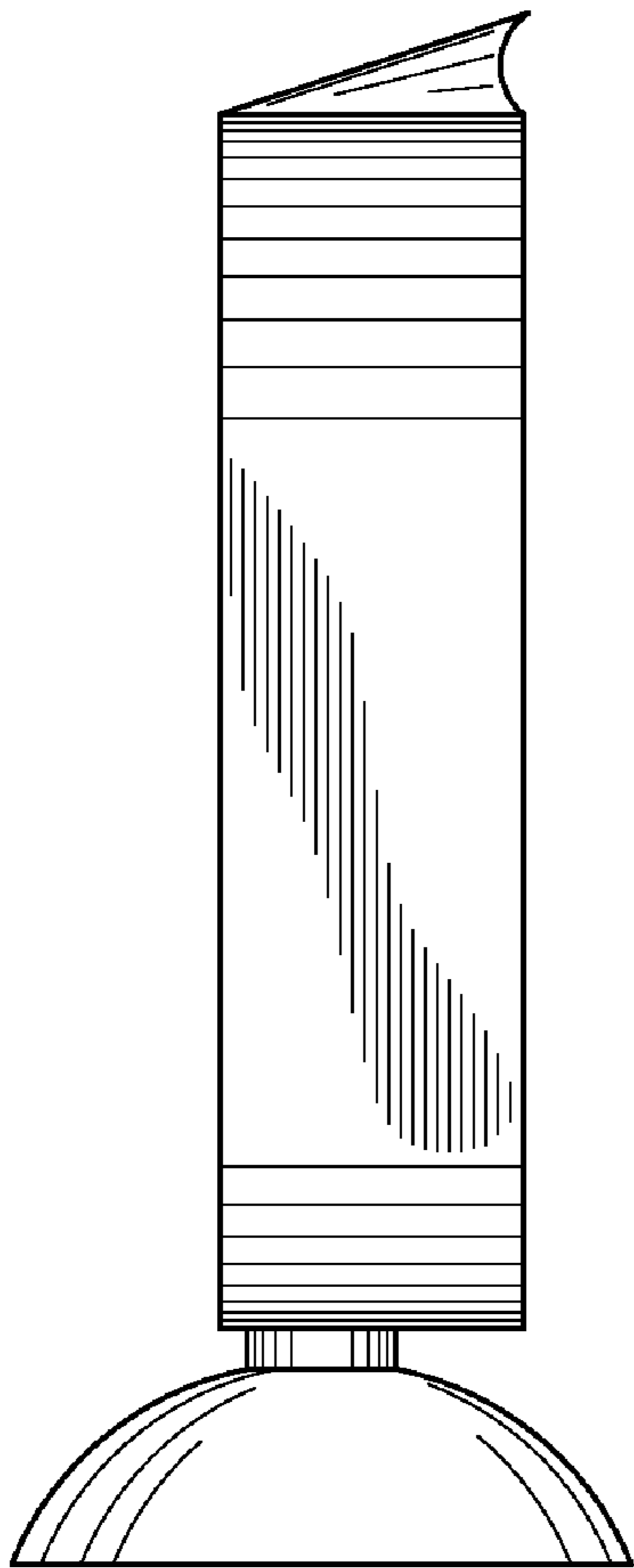


FIG. 4

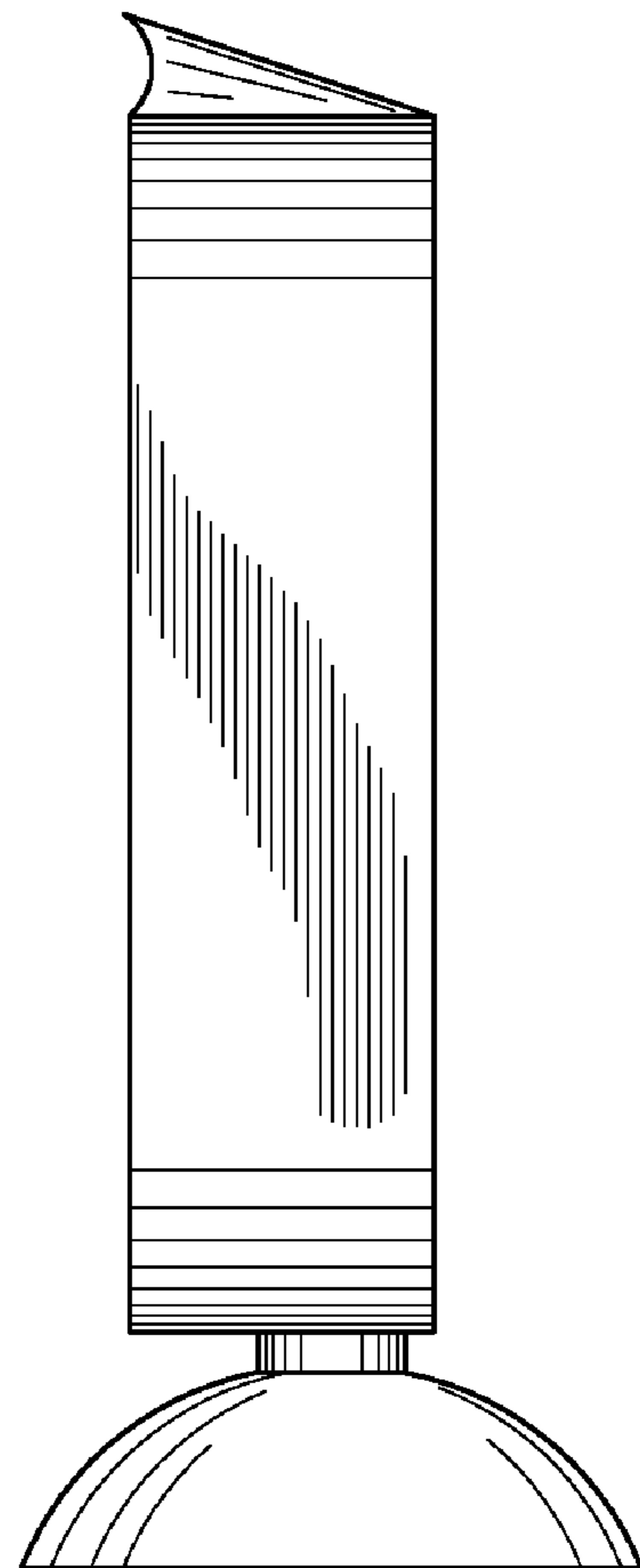


FIG. 5

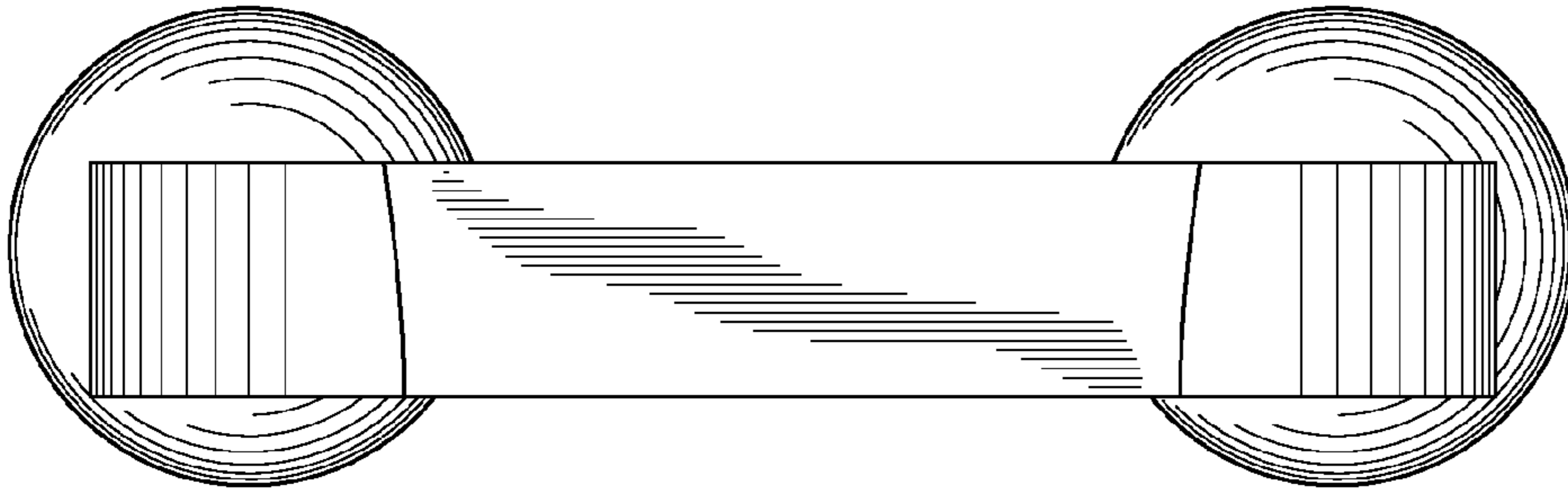


FIG. 6

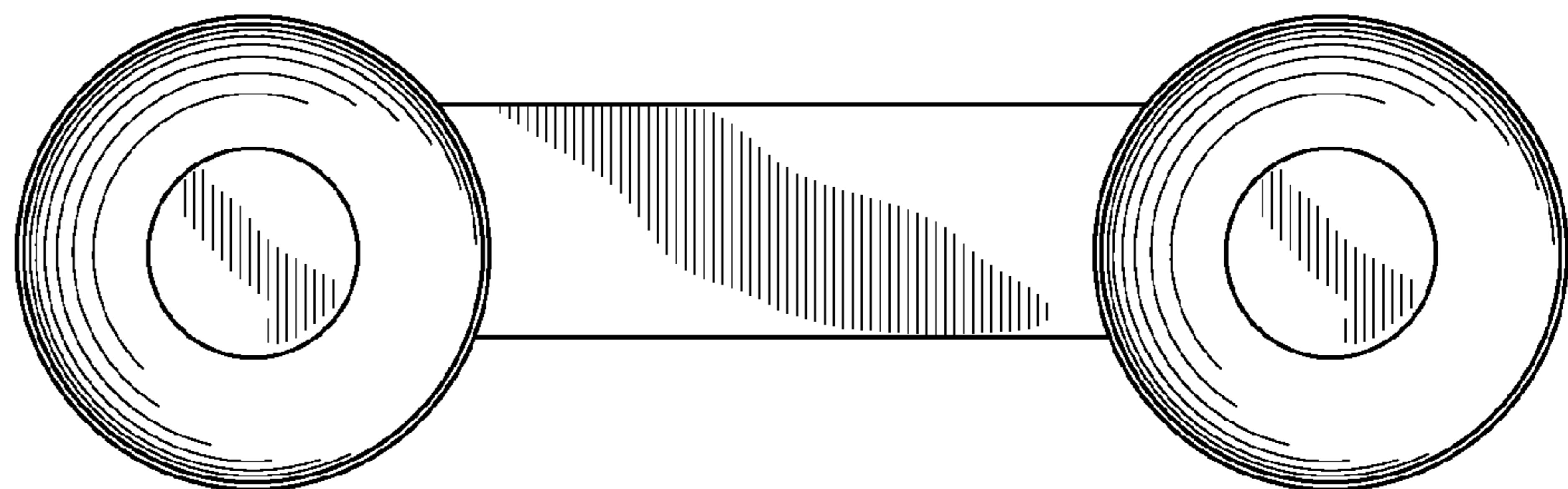


FIG. 7

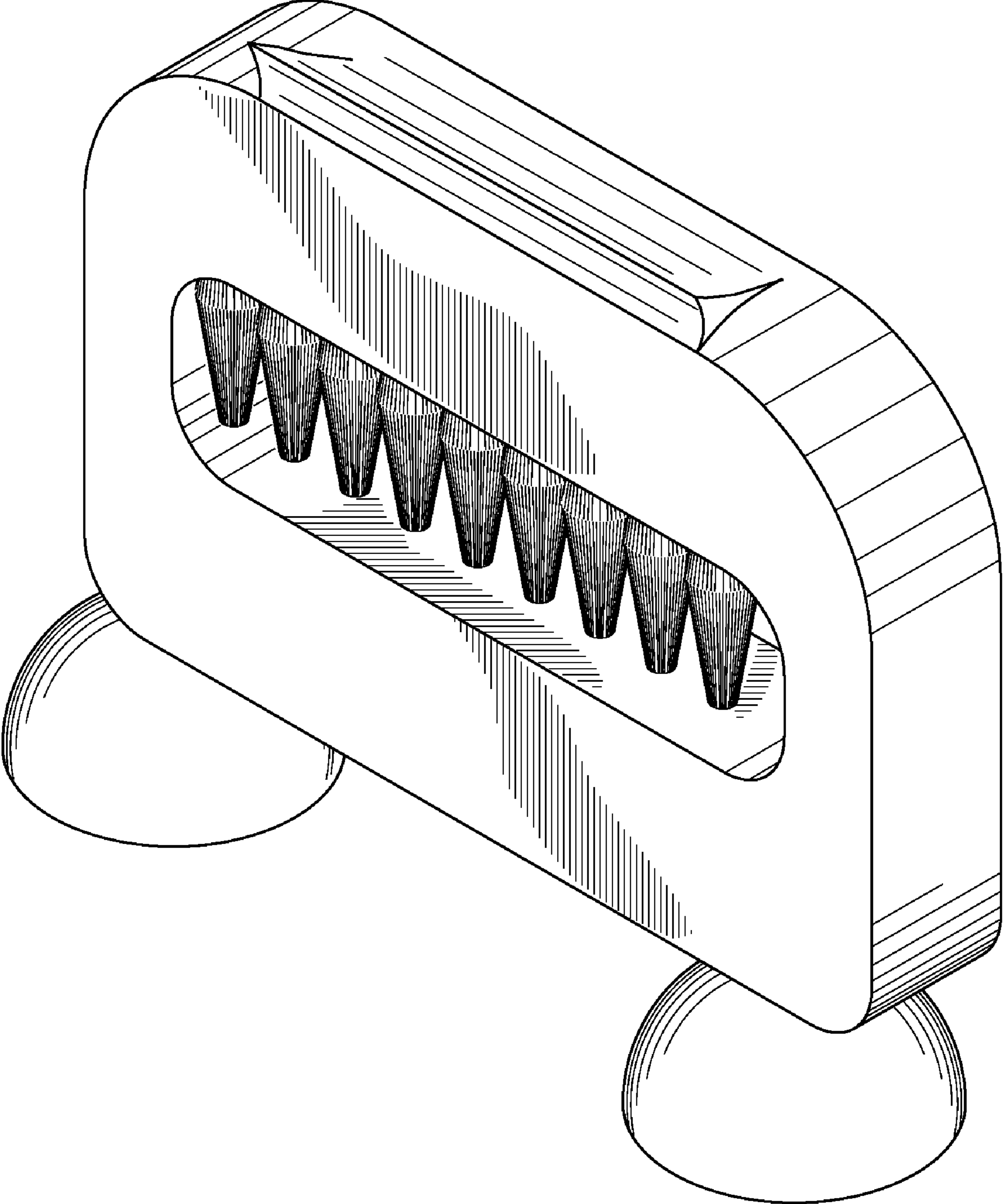
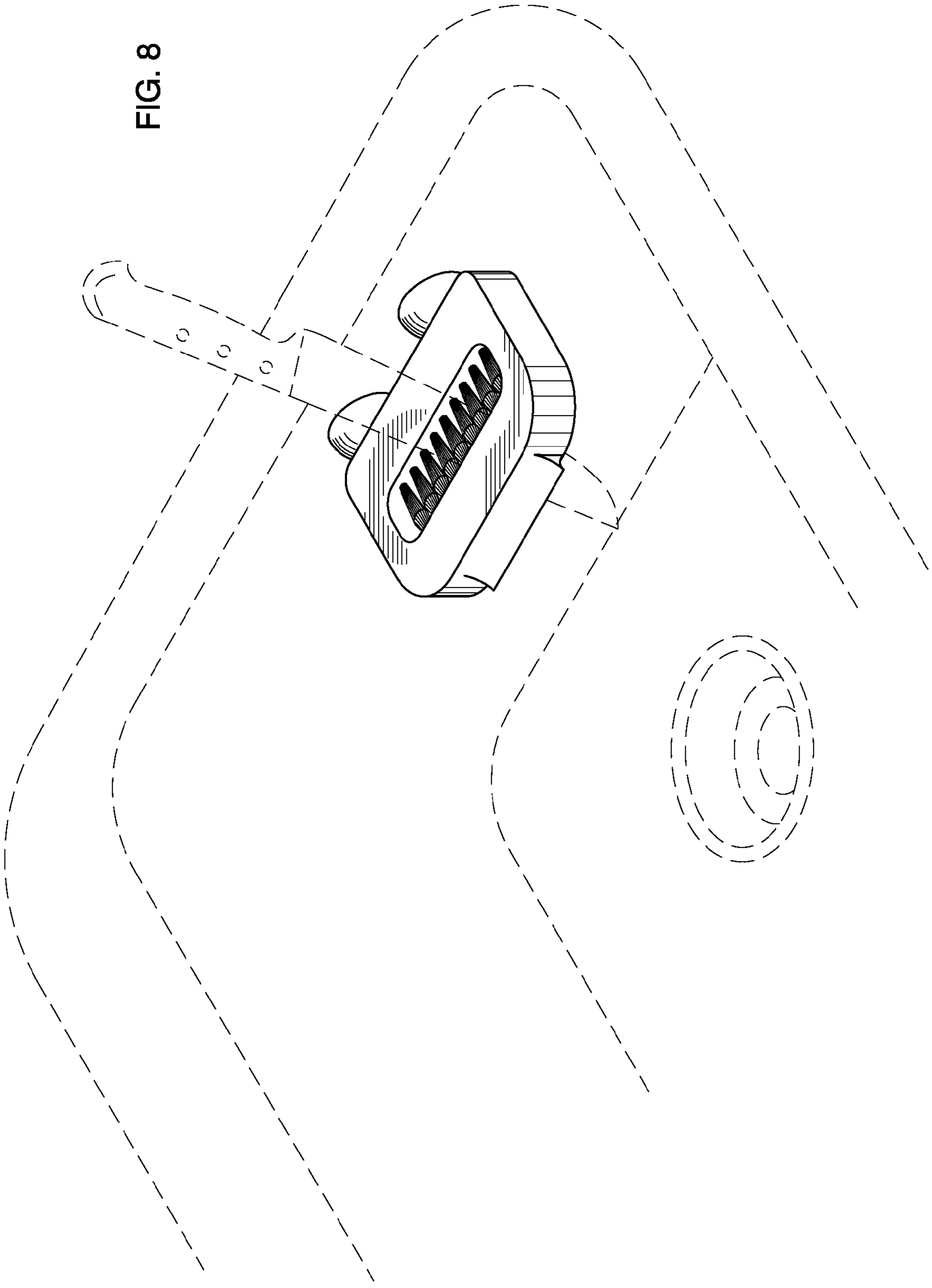


FIG. 8



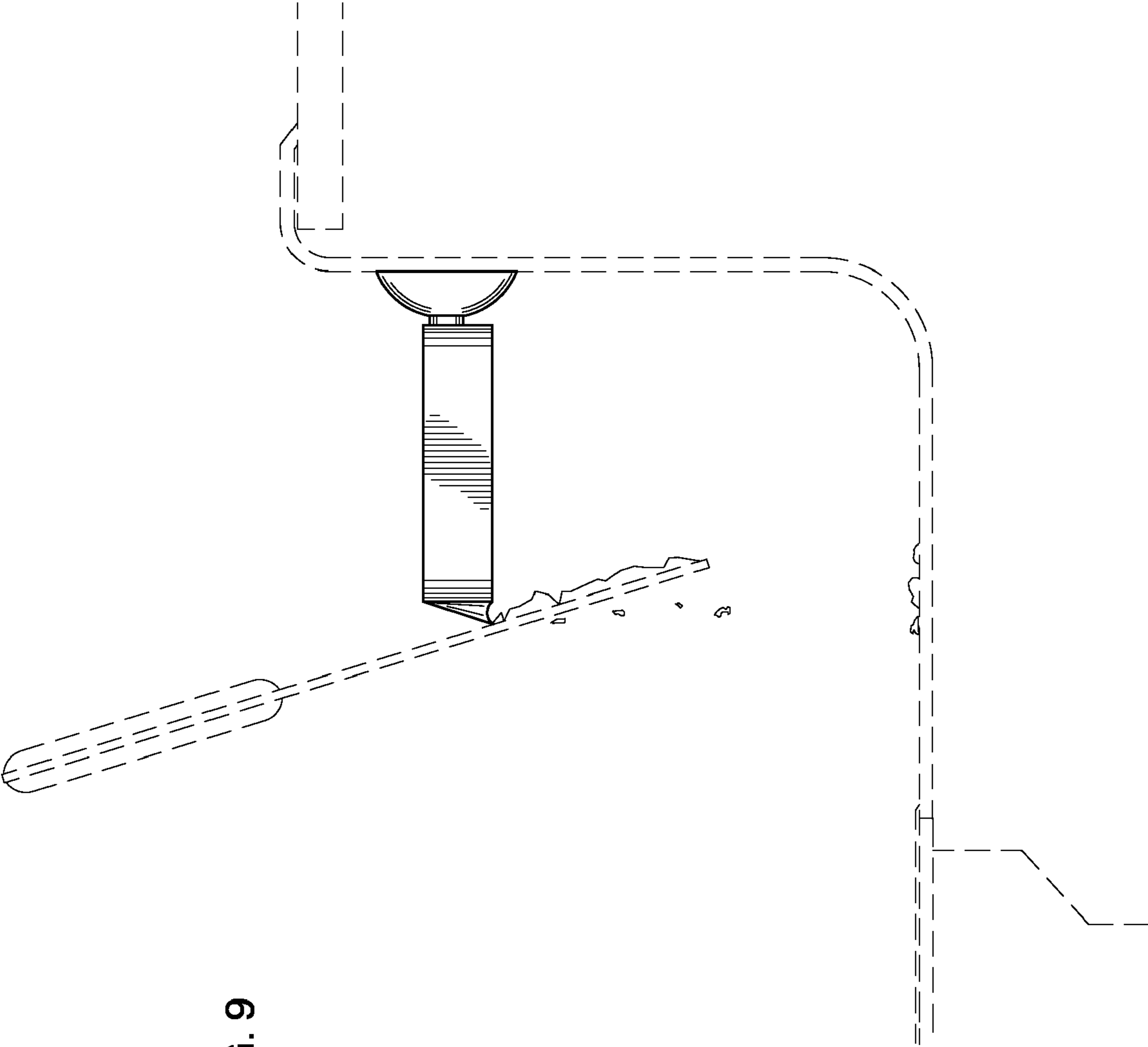


FIG. 9