



US00D622467S

(12) **United States Design Patent**
Martin

(10) **Patent No.:** **US D622,467 S**

(45) **Date of Patent:** **** Aug. 24, 2010**

(54) **HAIR REMOVAL TOOL**

(76) Inventor: **Steve Martin**, P.O. Box 31, Port Stanley,
ON (CA) N5L 1J4

(**) Term: **14 Years**

(21) Appl. No.: **29/345,410**

(22) Filed: **Oct. 15, 2009**

(51) **LOC (9) Cl.** **04-01**

(52) **U.S. Cl.** **D32/40**

(58) **Field of Classification Search** D32/40,
D32/46, 49; D8/45, 11, 14, 16, 19; 15/255.4,
15/255.6, 236.01–236.09, 237; 30/164.9,
30/169, 170, 171; D30/158, 159

See application file for complete search history.

(56) **References Cited**

U.S. PATENT DOCUMENTS

774,005	A *	11/1904	Thies	15/235.6
1,571,937	A	2/1926	Frye		
D218,445	S *	8/1970	Lovvorn	D30/159
3,838,474	A	10/1974	Erickson		
D240,794	S *	8/1976	Marx	D8/45
4,042,995	A	8/1977	Varon		
D304,892	S *	12/1989	Bevilacqua	D7/669
D305,468	S *	1/1990	Yonkers	D32/46
D310,590	S *	9/1990	Williams, Jr.	D32/49
D317,854	S *	7/1991	Pifalo	D8/11
D350,603	S *	9/1994	Firlik	D24/119

D390,075	S *	2/1998	Beier et al.	D8/14
D397,591	S *	9/1998	Susini, III	D8/10
D397,875	S	9/1998	Barrett		
5,930,862	A	8/1999	Garrett		
6,318,213	B1 *	11/2001	Hendrix et al.	81/45
D485,075	S	1/2004	Hutchinson		
6,671,921	B1	1/2004	Hickman		
6,813,799	B2	11/2004	Otsuji et al.		
7,305,731	B2	12/2007	Graham		
7,462,385	B2	12/2008	Seth et al.		
D610,755	S *	2/2010	Lin	D30/159
2006/0168753	A1 *	8/2006	Crisswell	15/235.6

* cited by examiner

Primary Examiner—Cynthia E Ramirez

(74) *Attorney, Agent, or Firm*—Kyle Fletcher

(57) **CLAIM**

The ornamental design for a hair removal tool, as shown and described.

DESCRIPTION

FIG. 1 is a side view of the hair removal tool.

FIG. 2 is a front view of the claimed design.

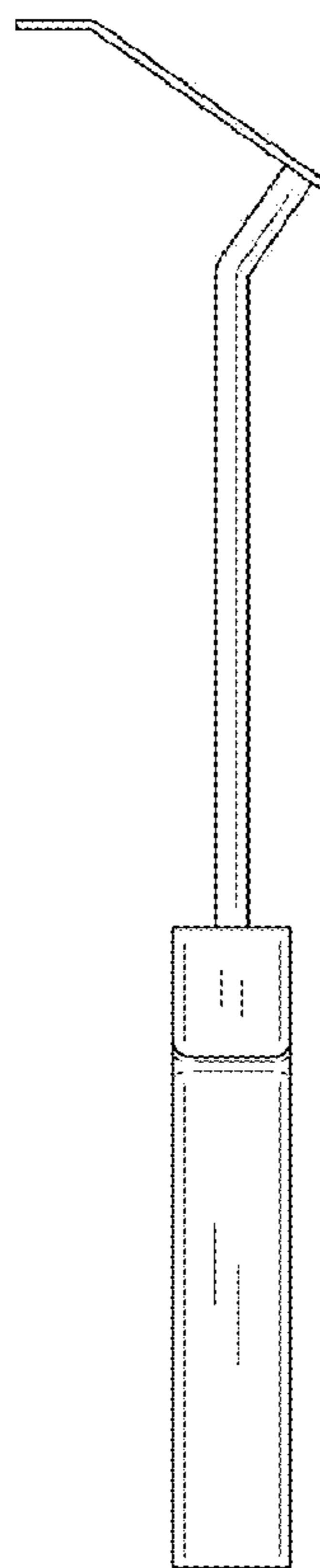
FIG. 3 is a rear view of the claimed design.

FIG. 4 is a top view of the claimed design.

FIG. 5 is a bottom view of the claimed design; and,

FIG. 6 is an isometric view of the claimed design.

1 Claim, 5 Drawing Sheets



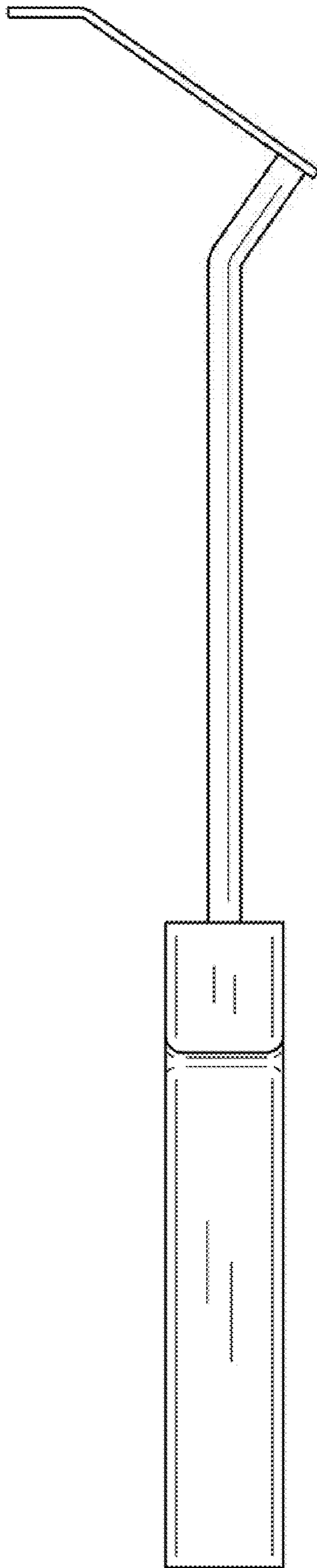


FIG. 1

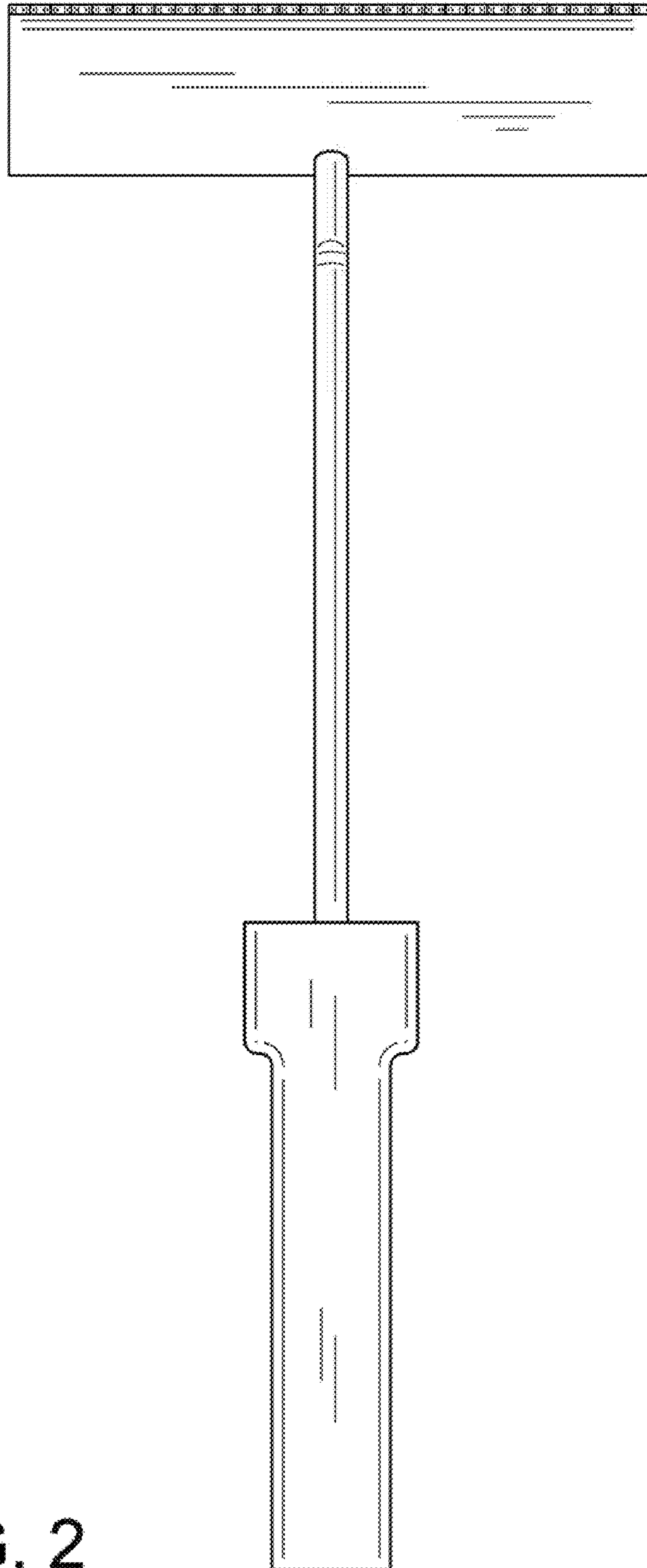


FIG. 2

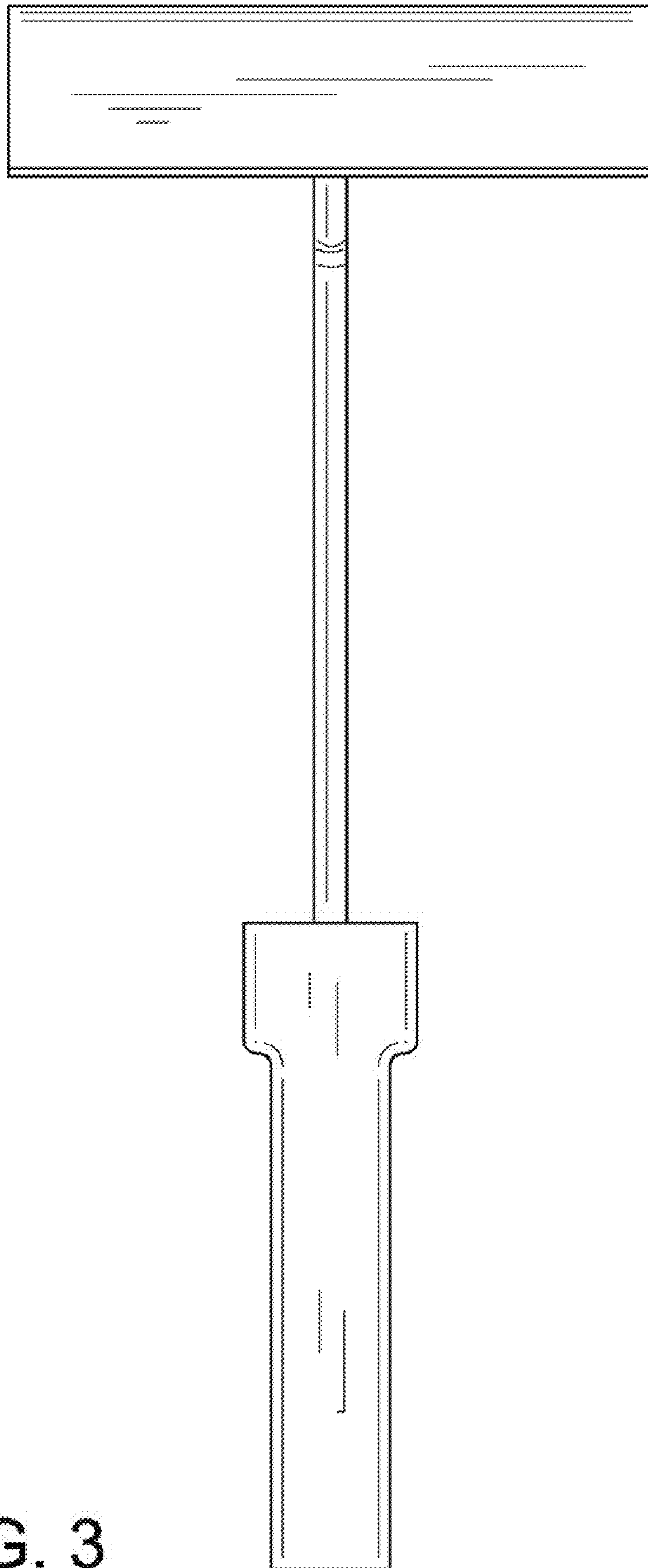


FIG. 3

FIG. 4

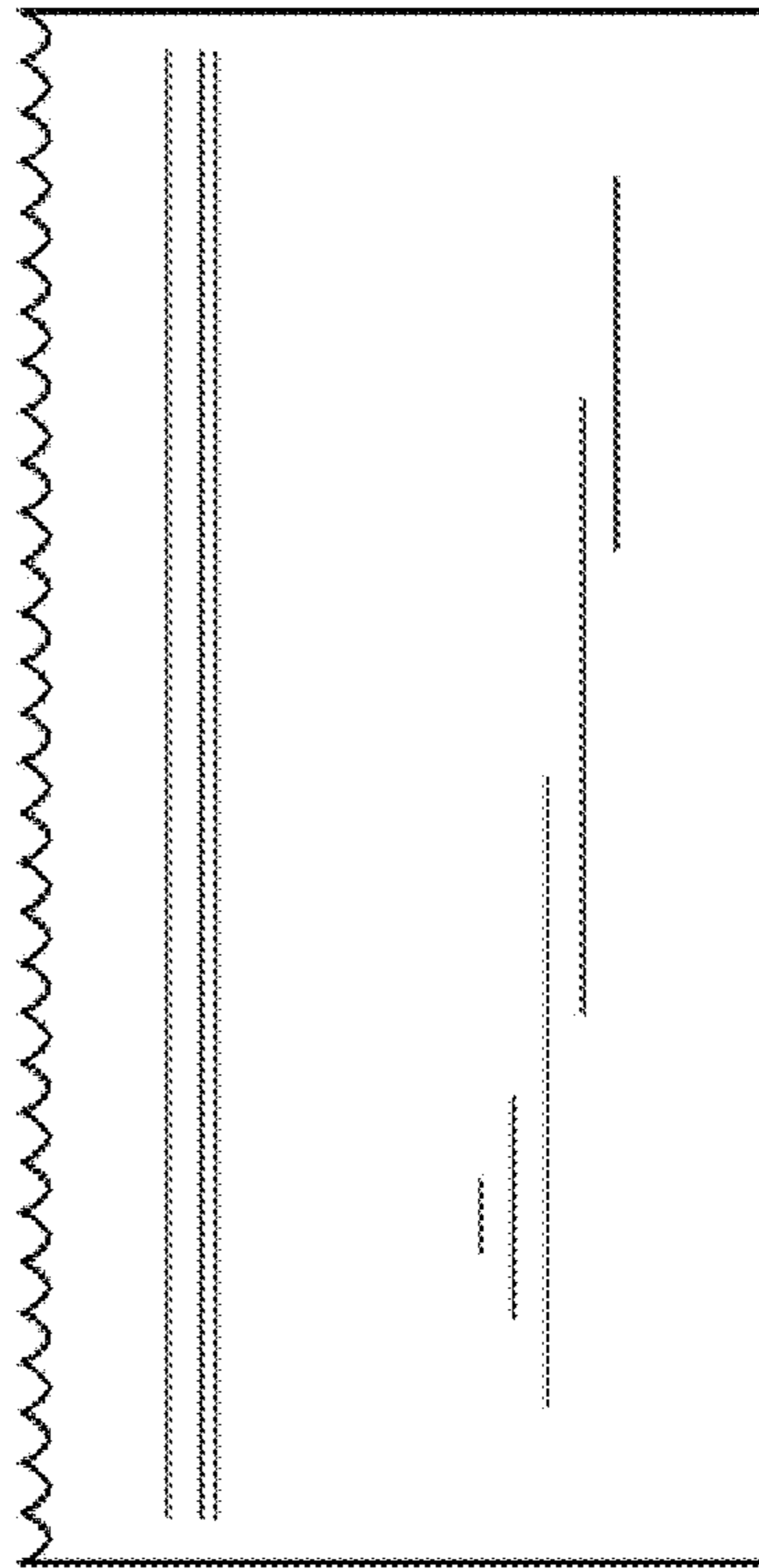
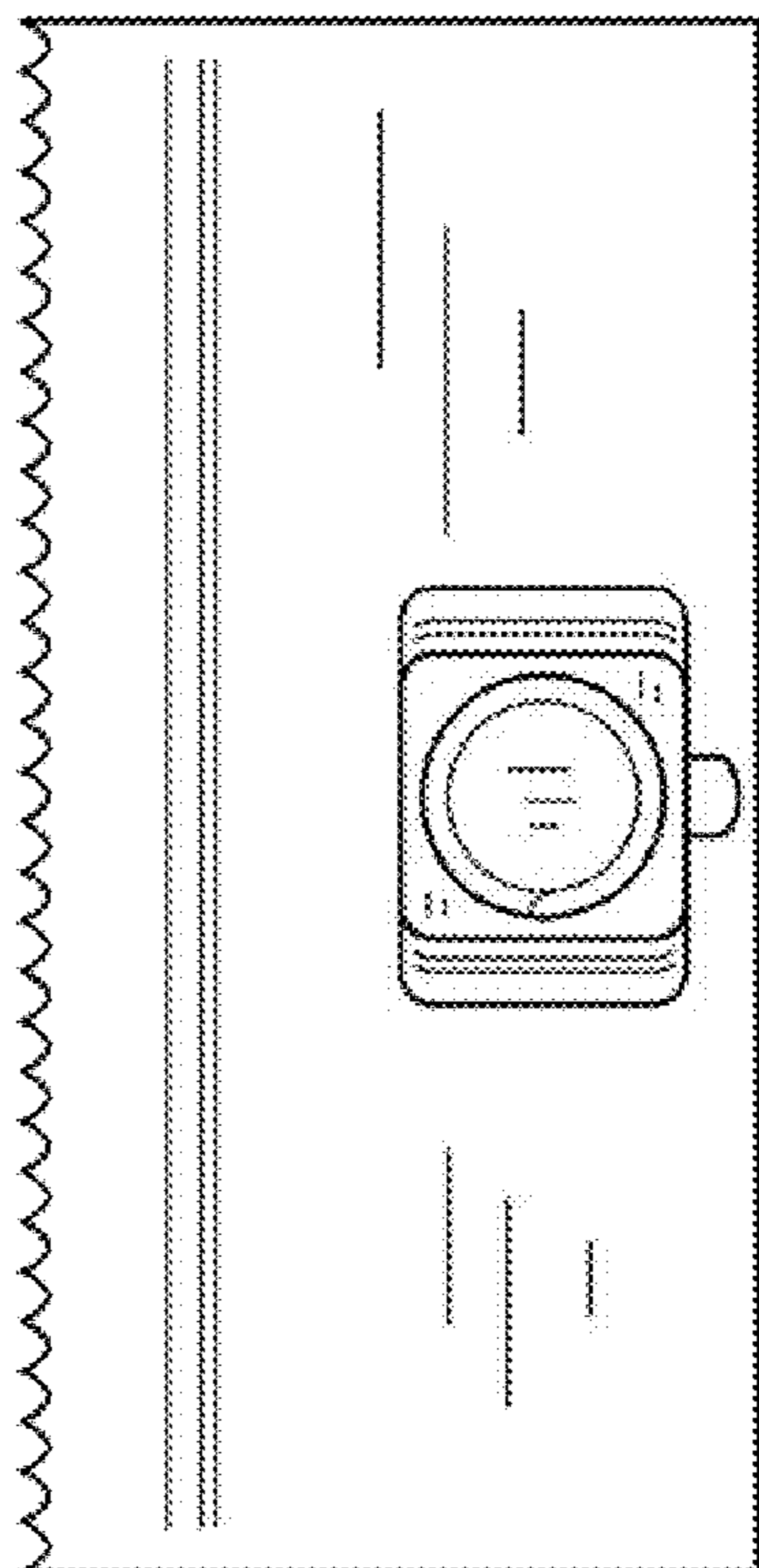


FIG. 5



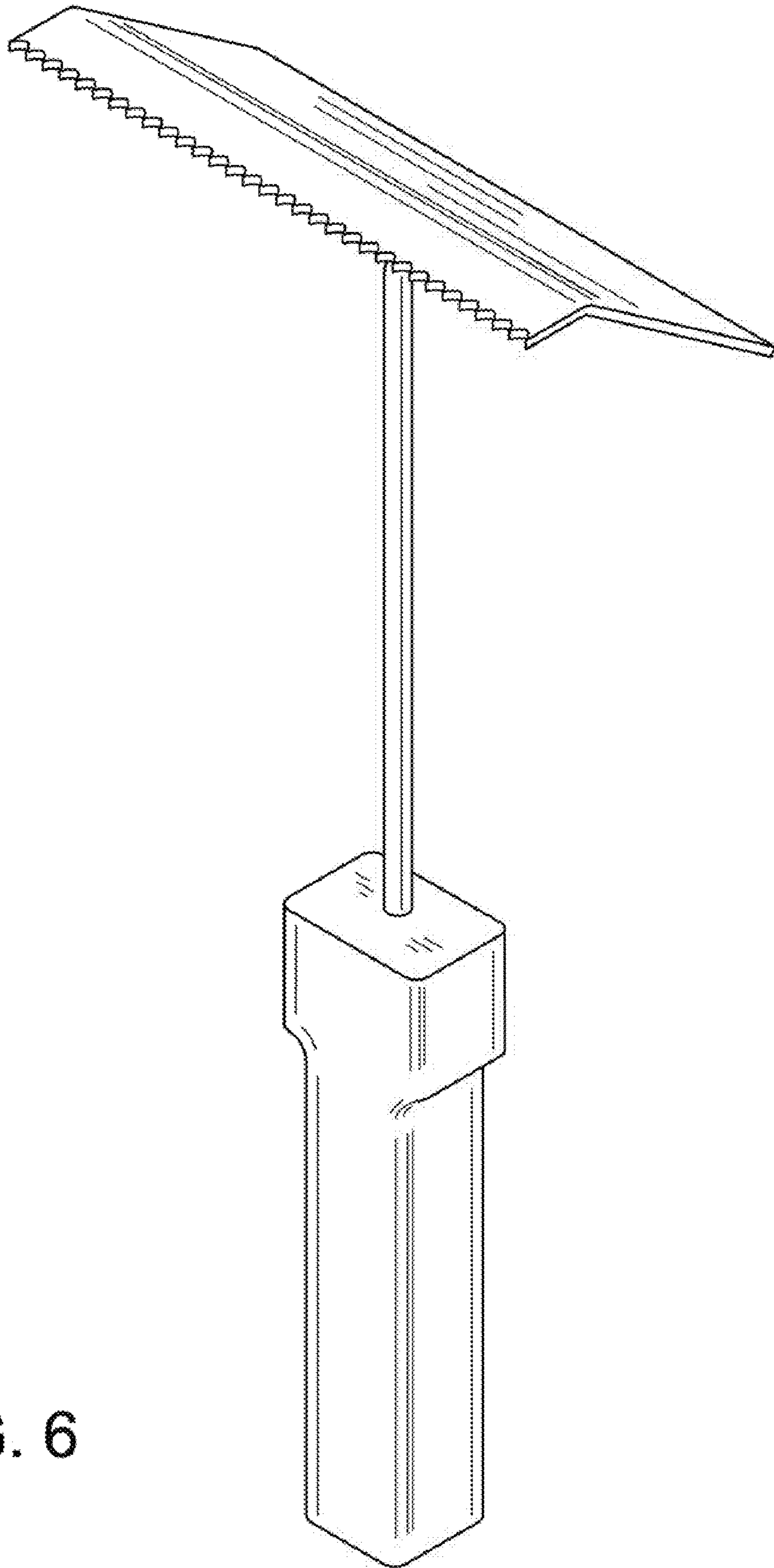


FIG. 6