



US00D622465S

(12) **United States Design Patent**
Crawley

(10) **Patent No.:** **US D622,465 S**

(45) **Date of Patent:** **** Aug. 24, 2010**

(54) **POWERED VACUUM CLEANER BRUSH HEAD**

(75) Inventor: **Graeme Crawley**, Newcastle Upon Tyne (GB)

(73) Assignee: **Black & Decker Inc.**, Newark, DE (US)

(**) Term: **14 Years**

(21) Appl. No.: **29/336,261**

(22) Filed: **Apr. 30, 2009**

(30) **Foreign Application Priority Data**

Oct. 30, 2008 (EM) 001031124

(51) **LOC (9) Cl.** **15-05**

(52) **U.S. Cl.** **D32/33**

(58) **Field of Classification Search** D32/22,
D32/31-33, 50-51, 38-39; 15/329, 350-351,
15/361-362, 400, 410, 412, 414, 415.1-422,
15/327.1-327.7, 340.2, 383, 1.51, 42, 41.1,
15/398

See application file for complete search history.

(56) **References Cited**

U.S. PATENT DOCUMENTS

D353,236 S * 12/1994 Burkhardt et al. D32/32
D424,260 S * 5/2000 Worwag D32/32
D515,756 S * 2/2006 Allard et al. D32/32
D520,694 S * 5/2006 Choi D32/32
D520,695 S * 5/2006 Dyson et al. D32/33
D585,167 S * 1/2009 Wishney D32/32

D590,112 S * 4/2009 Sun D32/32

D599,514 S * 9/2009 Knox et al. D32/32

D603,569 S * 11/2009 Stratford D32/32

2006/0179606 A1 * 8/2006 Worwag 15/387

2007/0256273 A1 * 11/2007 Coleman 15/387

* cited by examiner

Primary Examiner—Ruth McInroy

(74) *Attorney, Agent, or Firm*—John Yun; Bruce S. Shapiro; Stephen Valancius

(57) **CLAIM**

The ornamental design for a powered vacuum cleaner brush head, as shown and described.

DESCRIPTION

FIG. 1 is a perspective view of a powered vacuum cleaner brush head showing my new design.

FIG. 2 is a left side view of a powered vacuum cleaner brush head according to FIG. 1.

FIG. 3 is a right side view of a powered vacuum cleaner brush head according to FIG. 1.

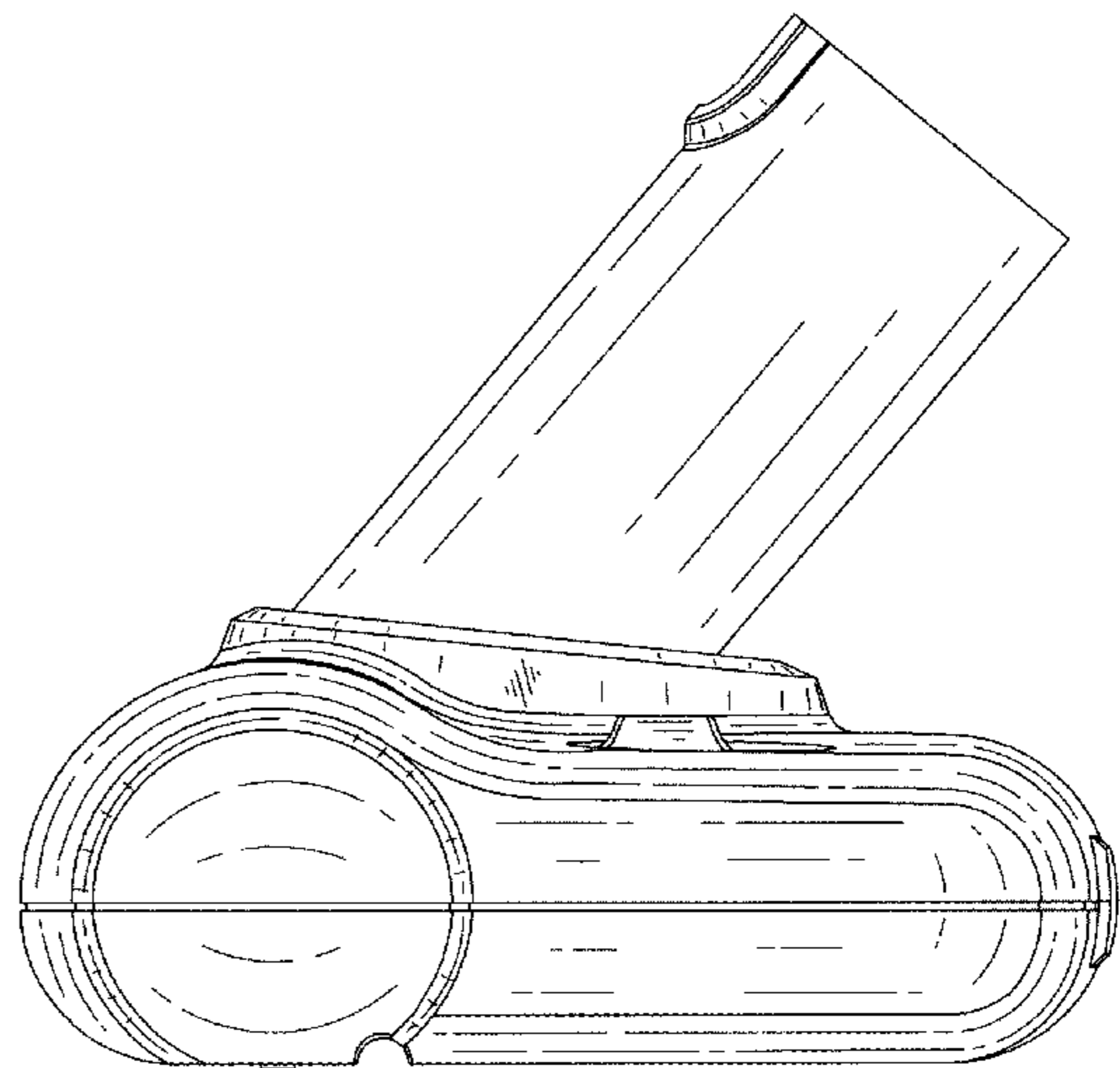
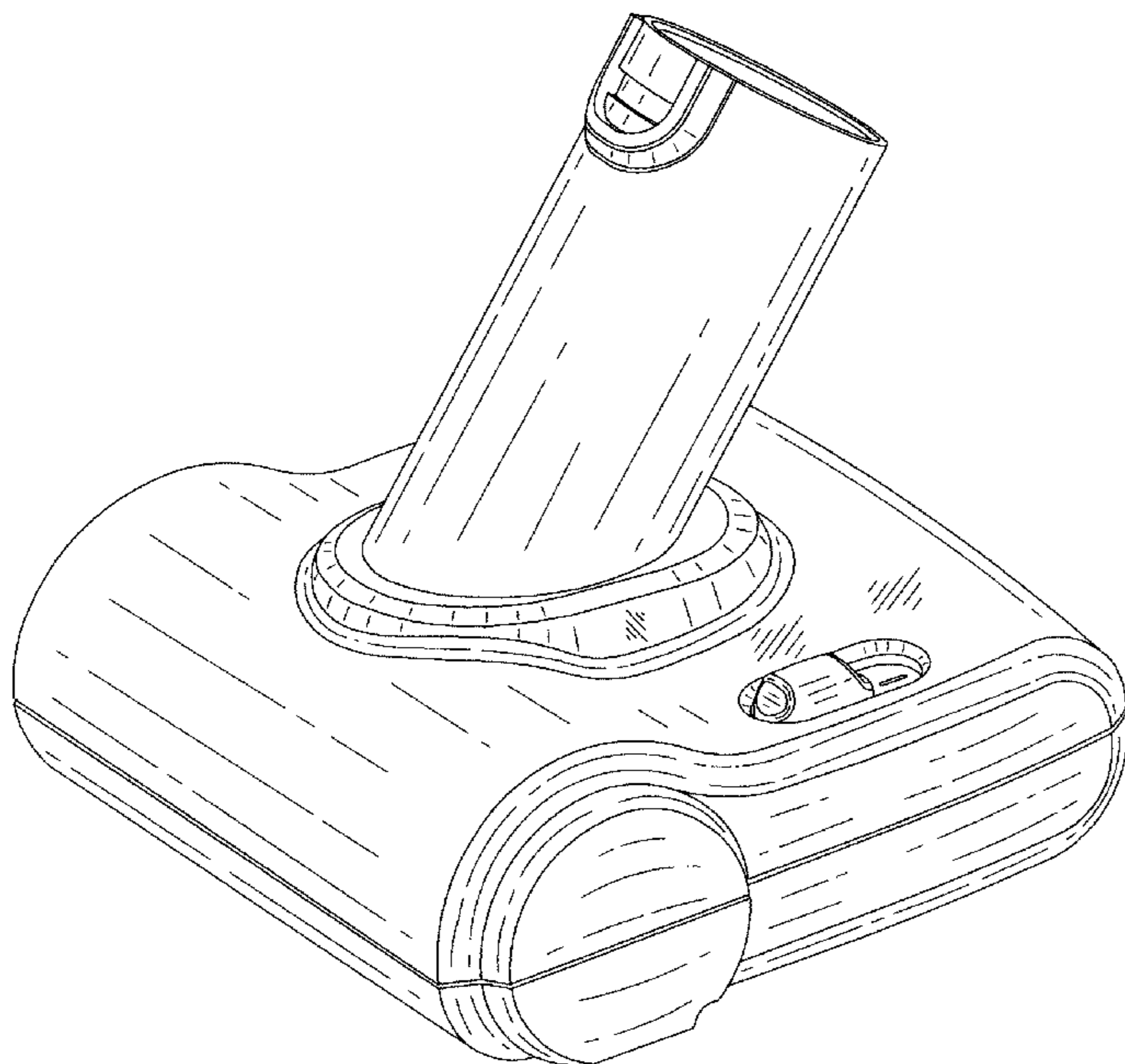
FIG. 4 is a front view of a powered vacuum cleaner brush head according to FIG. 1.

FIG. 5 is a rear view of a powered vacuum cleaner brush head according to FIG. 1.

FIG. 6 is a top view of a powered vacuum cleaner brush head according to FIG. 1; and,

FIG. 7 is a bottom view of a powered vacuum cleaner brush head according to FIG. 1.

1 Claim, 7 Drawing Sheets



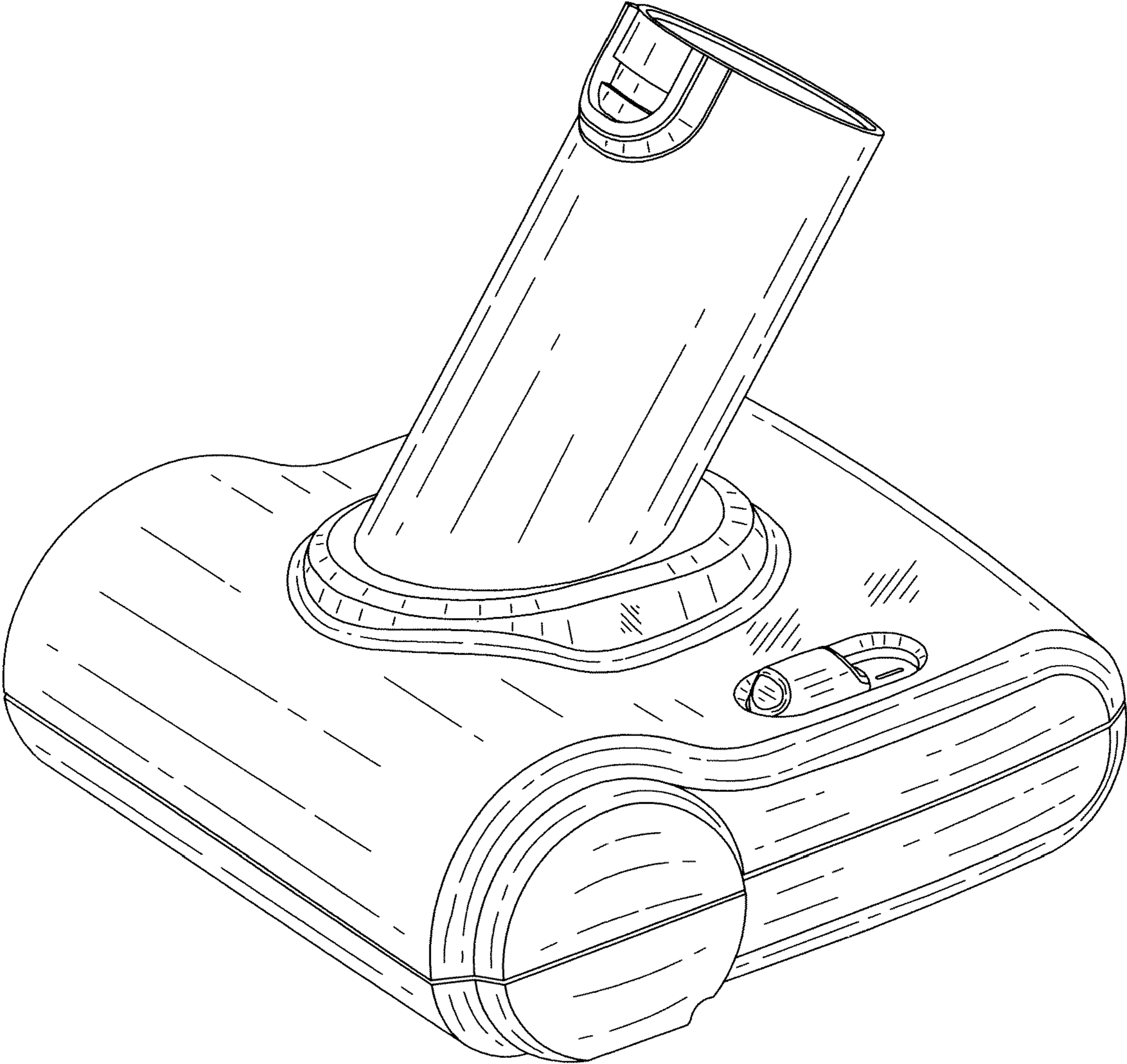


FIG.1

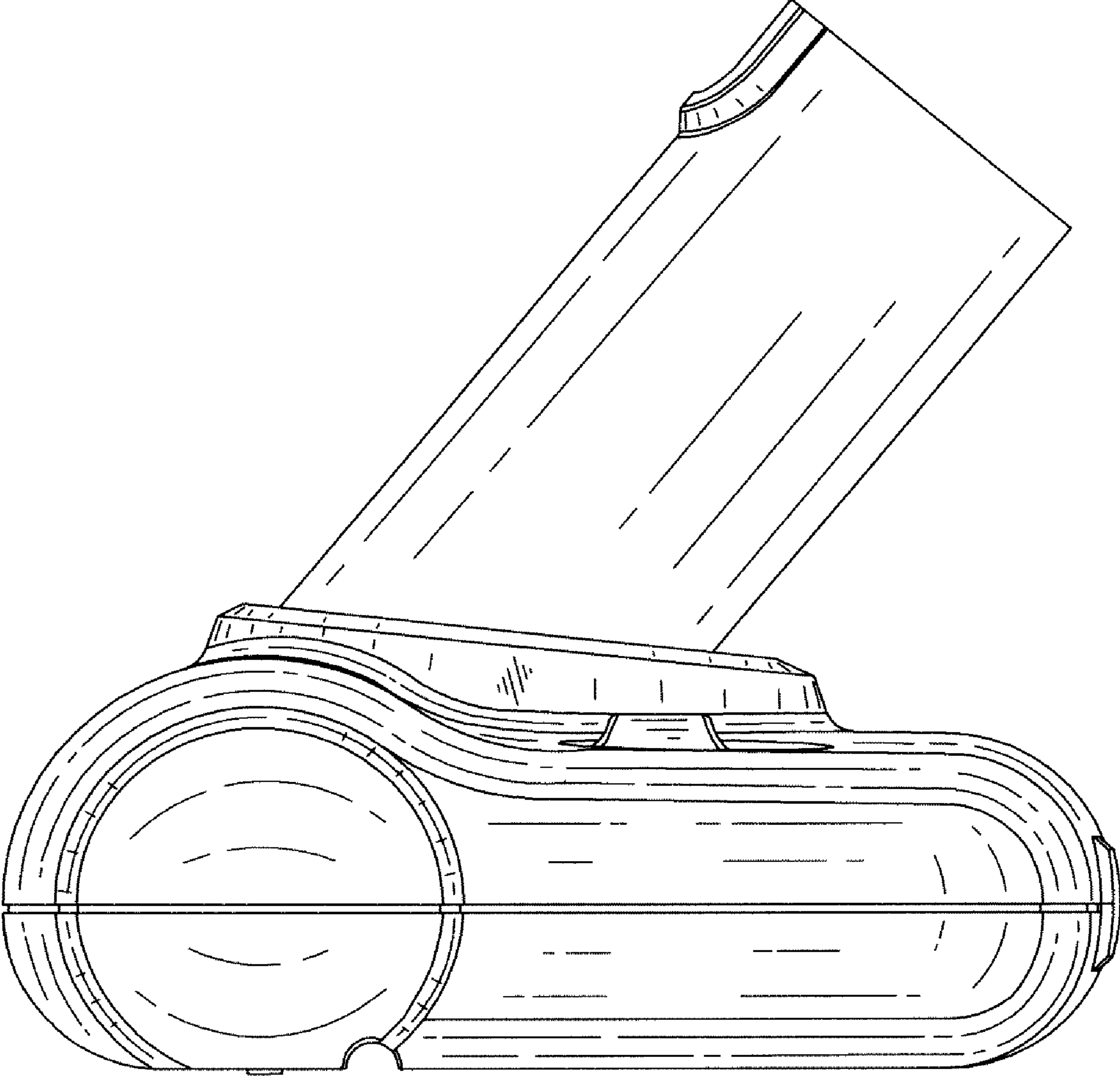


FIG.2

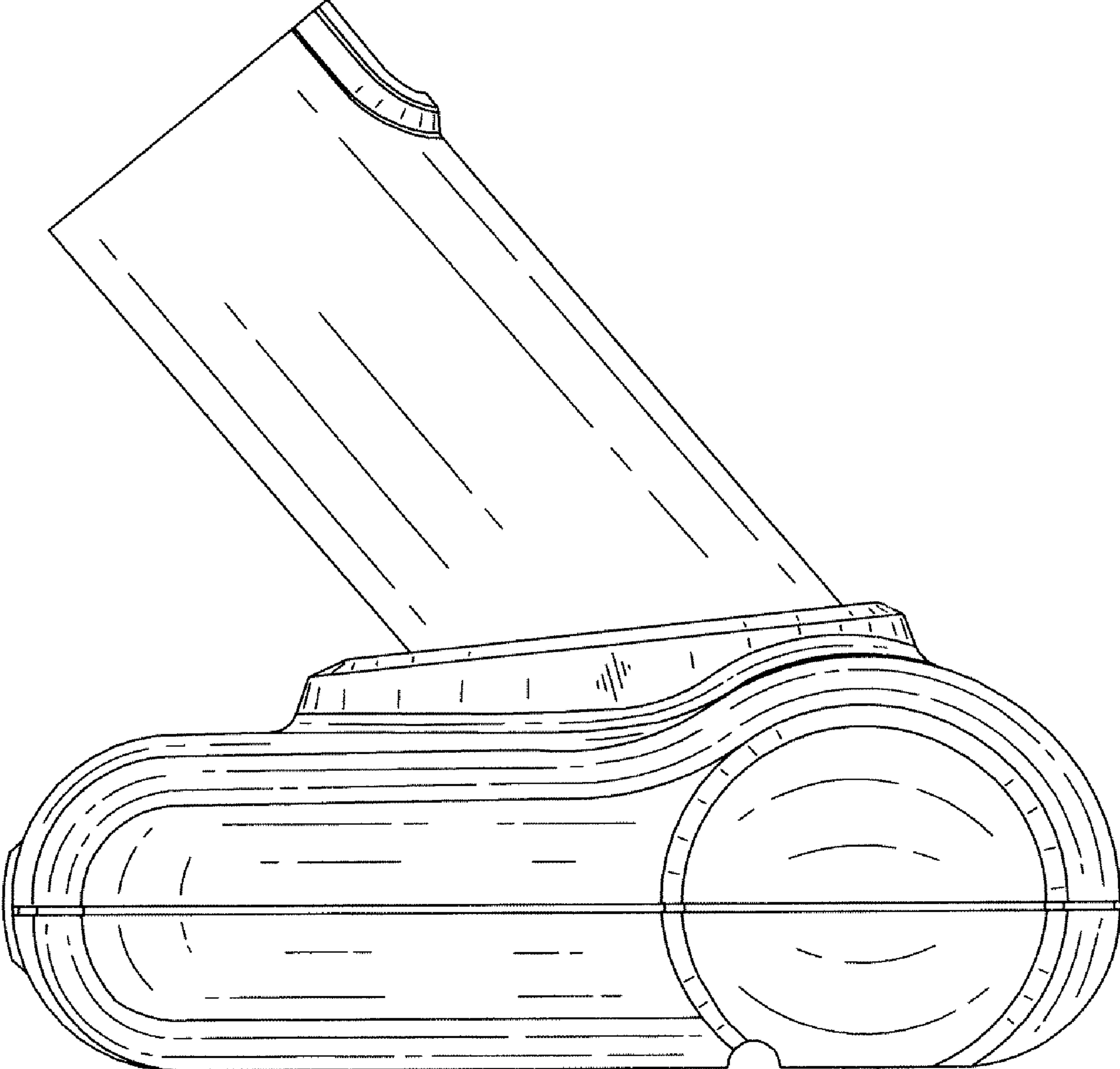


FIG.3

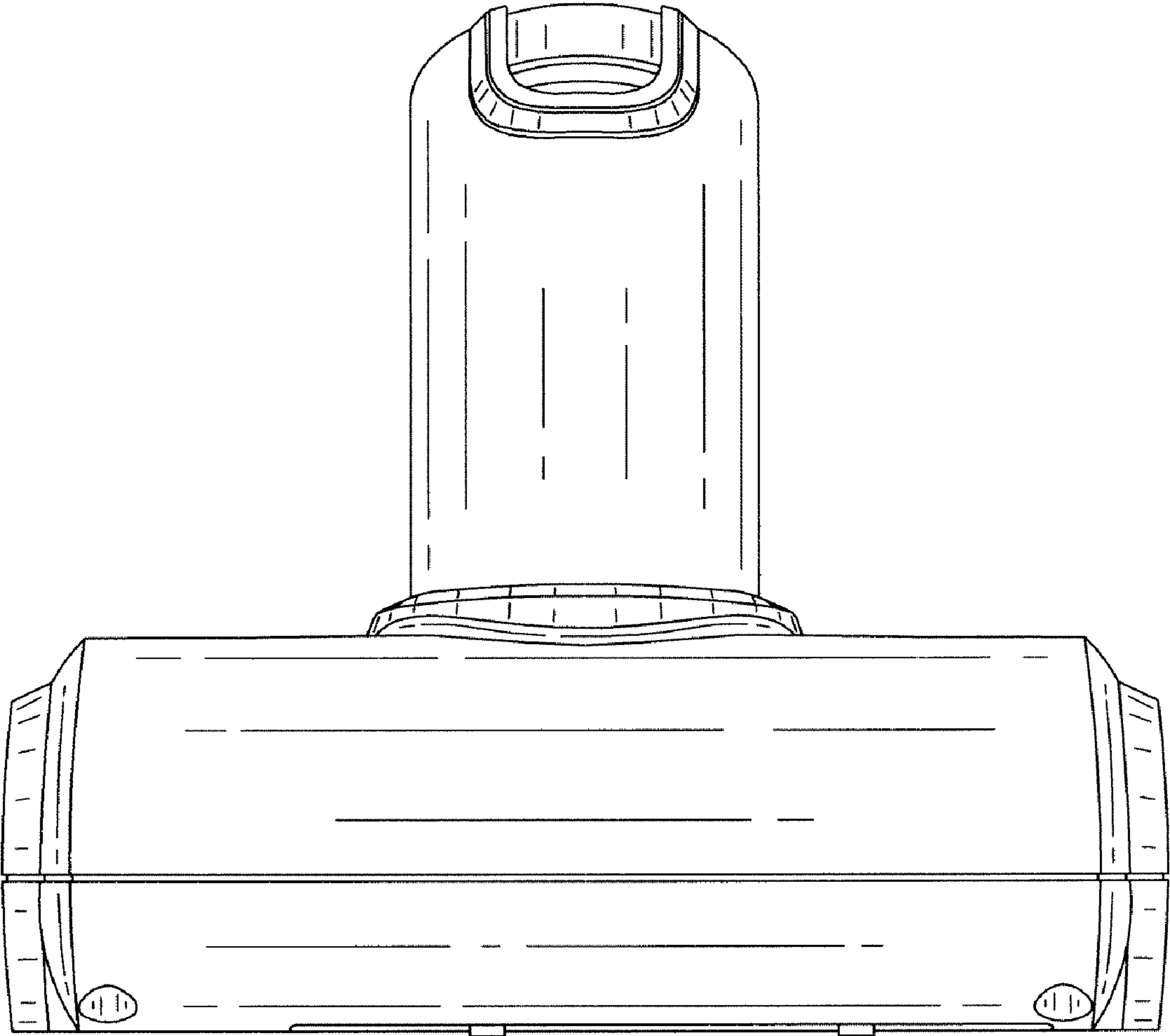


FIG.4

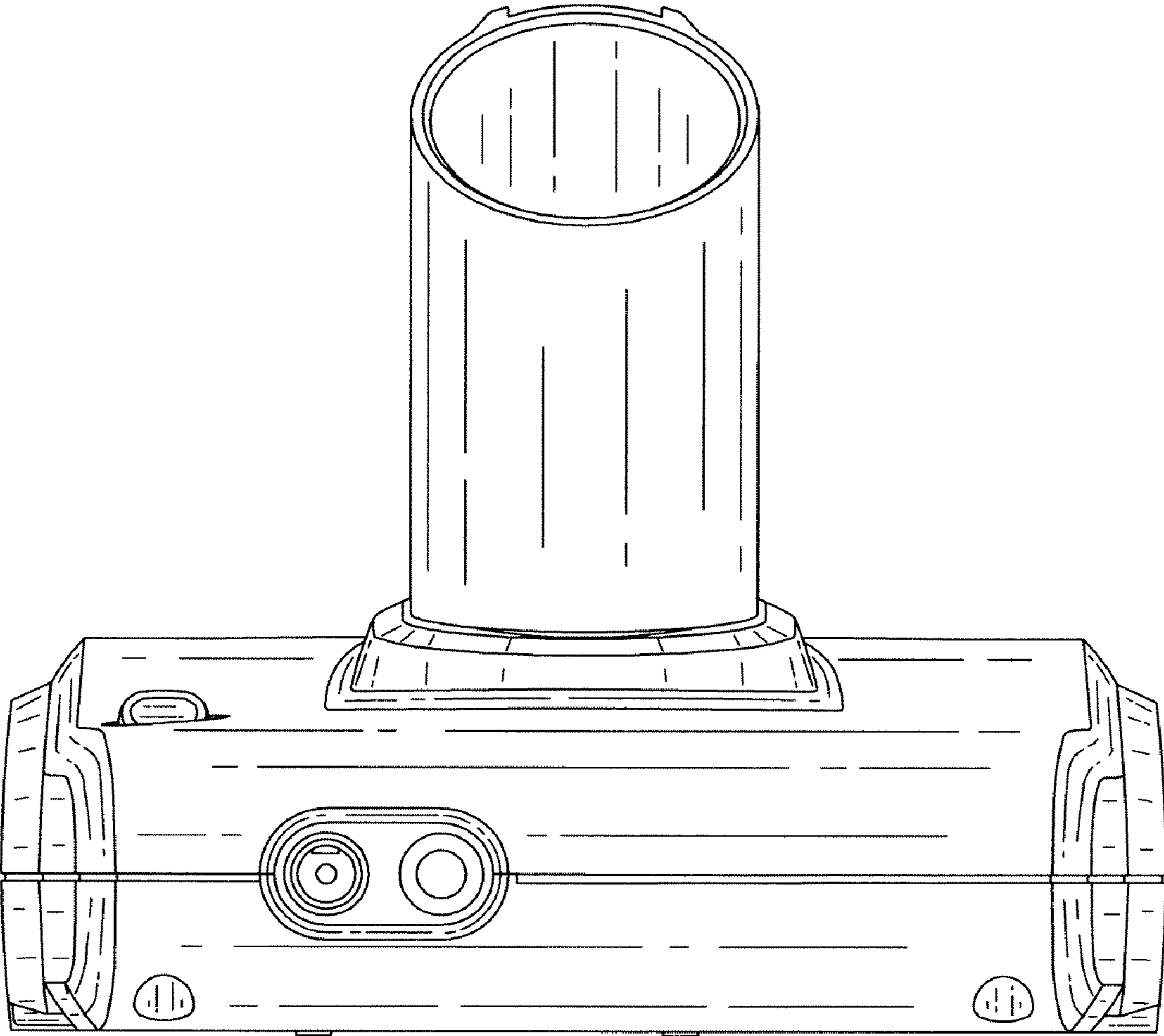


FIG. 5

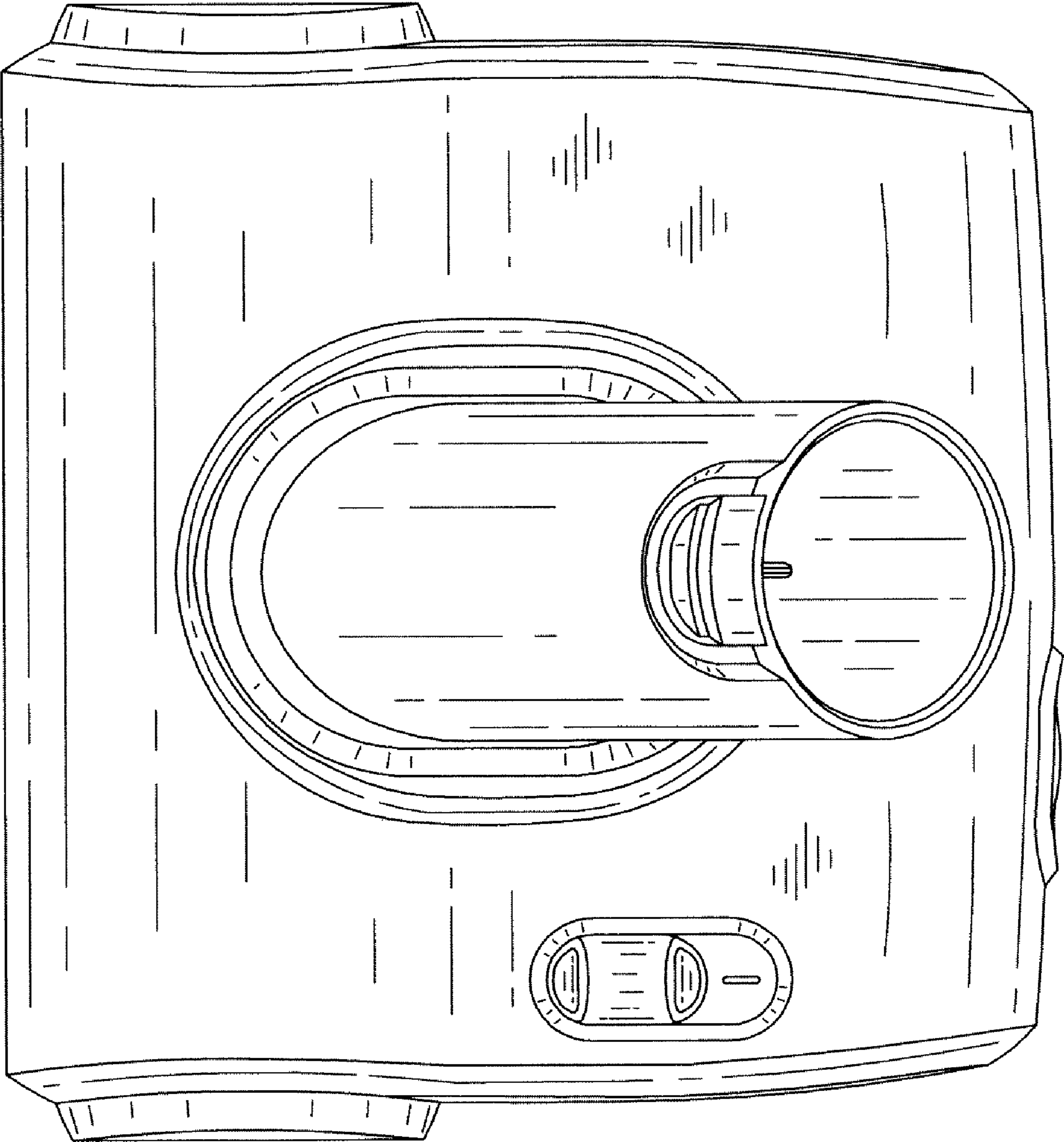


FIG.6

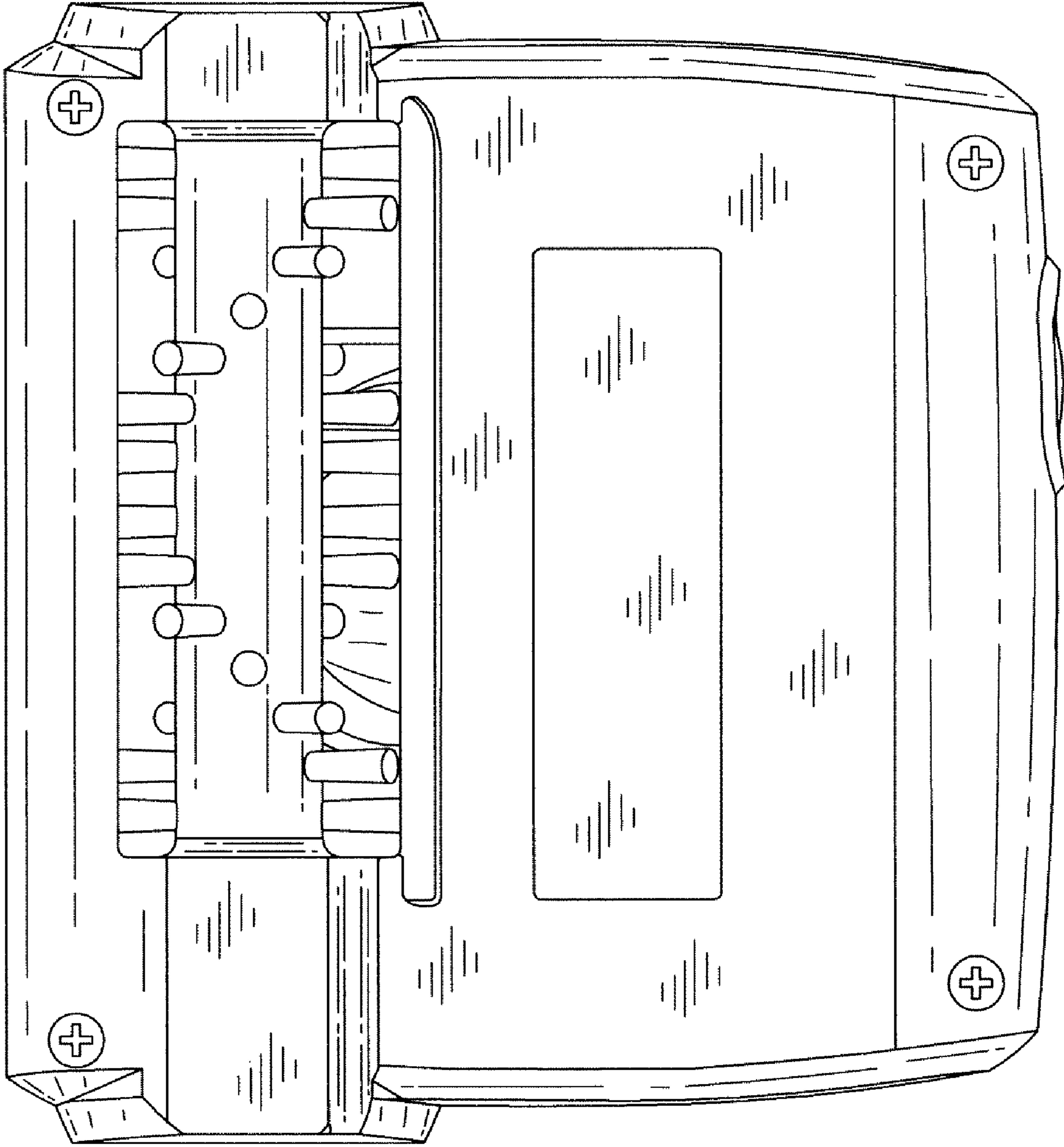


FIG.7