



US00D622458S

(12) **United States Design Patent**  
**Eide**

(10) **Patent No.:** **US D622,458 S**

(45) **Date of Patent:** **\*\* Aug. 24, 2010**

(54) **HIGH EFFICIENCY PARTICULATE AIR  
FILTER CARTRIDGE FOR CANISTER  
VACUUM**

(75) Inventor: **Andrew Eide**, Rockwall, TX (US)

(73) Assignee: **Aerus LLC**, Dallas, TX (US)

(\*\*) Term: **14 Years**

(21) Appl. No.: **29/332,534**

(22) Filed: **Feb. 18, 2009**

(51) **LOC (9) Cl.** ..... **15-05**

(52) **U.S. Cl.** ..... **D32/31**

(58) **Field of Classification Search** ..... D32/22,  
D32/31-33, 30; 15/329, 350-351, 361-362,  
15/400, 410, 412, 414, 415.1-422, 327.1-327.7,  
15/340.2, 383, 1.51, 42, 41.1, 398, 363, 377,  
15/347; 55/DIG. 3, 424, 429, 490; 95/273  
See application file for complete search history.

(56) **References Cited**

**U.S. PATENT DOCUMENTS**

3,279,157	A	10/1966	Andersson-Sason at al.	
D383,881	S *	9/1997	Gudmundsson	D32/30
5,690,713	A	11/1997	Bowerman et al.	
D389,284	S *	1/1998	Gudmundsson	D32/30
5,725,623	A *	3/1998	Bowerman et al.	55/490
D406,421	S *	3/1999	Bobrosky et al.	D32/31
5,946,771	A	9/1999	Bosyj et al.	
6,035,486	A	3/2000	McCormick	
6,361,587	B1	3/2002	Rohn et al.	
6,432,180	B2	8/2002	Alberts, III et al.	
6,609,270	B2 *	8/2003	Kim	15/347

6,807,707	B2	10/2004	Park et al.	
6,875,255	B2	4/2005	Alford et al.	
D522,194	S *	5/2006	Mason	D32/30
7,181,804	B2	2/2007	Hafiling et al.	
7,185,394	B2 *	3/2007	Hafiling et al.	15/347
7,235,121	B2 *	6/2007	West	95/273
7,247,182	B2 *	7/2007	Boyer et al.	55/429
7,628,846	B2 *	12/2009	Oh et al.	96/222
7,676,884	B2 *	3/2010	Mayes et al.	15/347
2004/0163368	A1 *	8/2004	Lee et al.	55/429
2008/0010958	A1	1/2008	Fester et al.	

\* cited by examiner

*Primary Examiner*—Ruth McInroy

(74) *Attorney, Agent, or Firm*—Klemchuk Kubasta LLP;  
Darin M. Klemchuk

(57) **CLAIM**

An ornamental design for a high efficiency particulate air filter cartridge for canister vacuum, as shown and described.

**DESCRIPTION**

FIG. 1 is a top perspective view of a high efficiency particulate air filter cartridge for canister vacuum showing my new design;

FIG. 2 is a top plan view thereof;

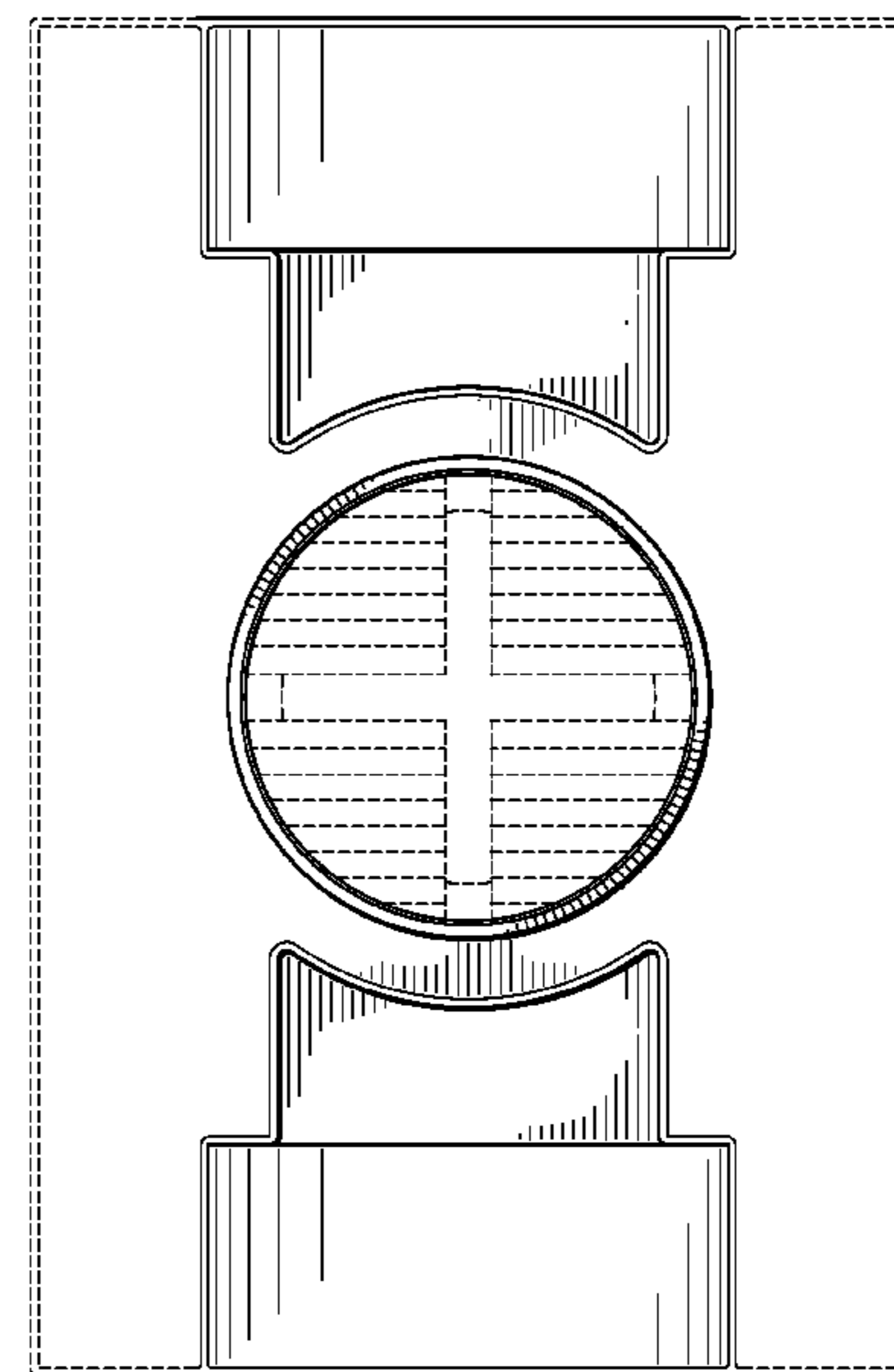
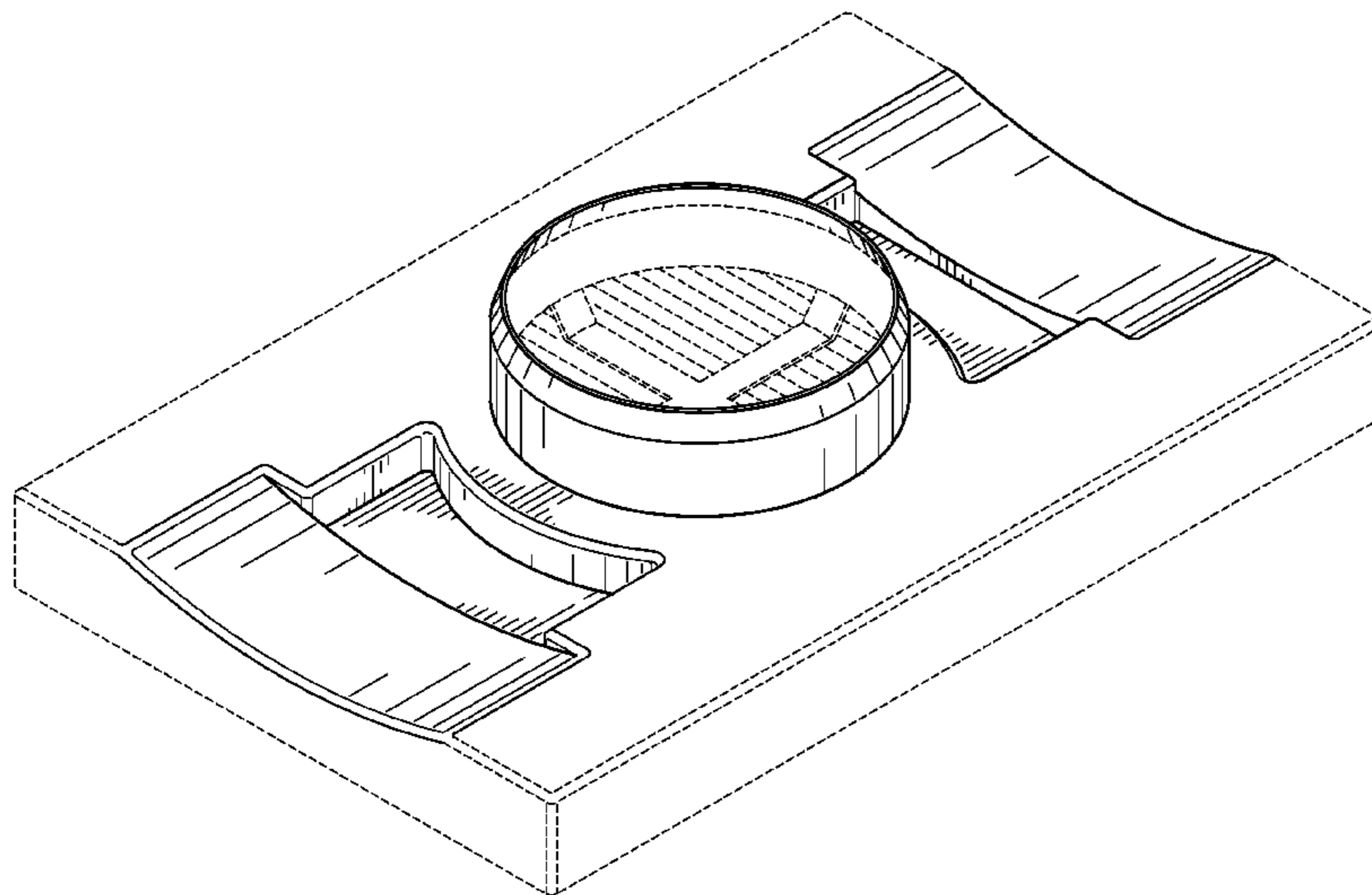
FIG. 3 is a side elevation view thereof;

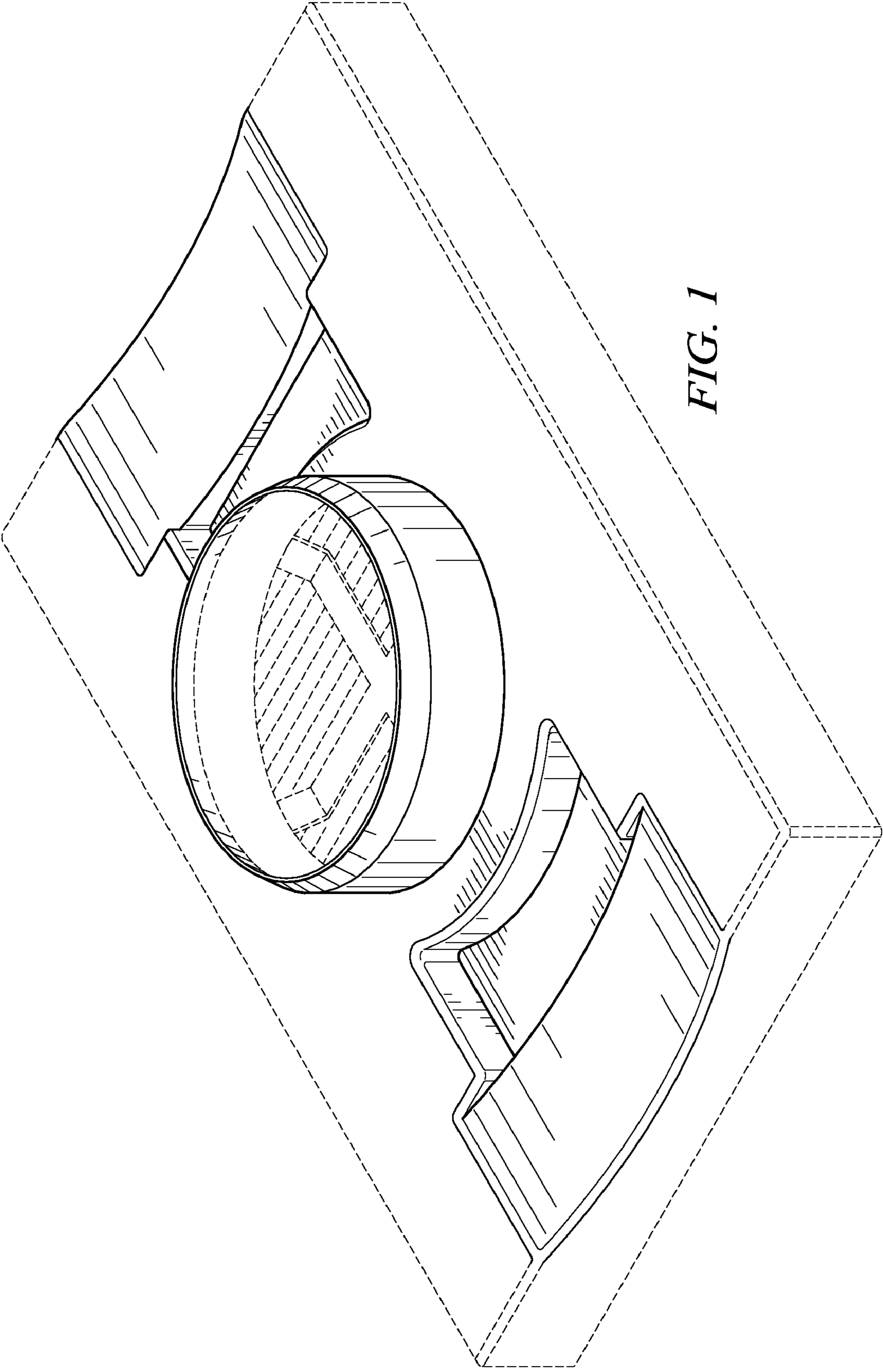
FIG. 4 is a front elevation view thereof; and,

FIG. 5 is a bottom plan view thereof.

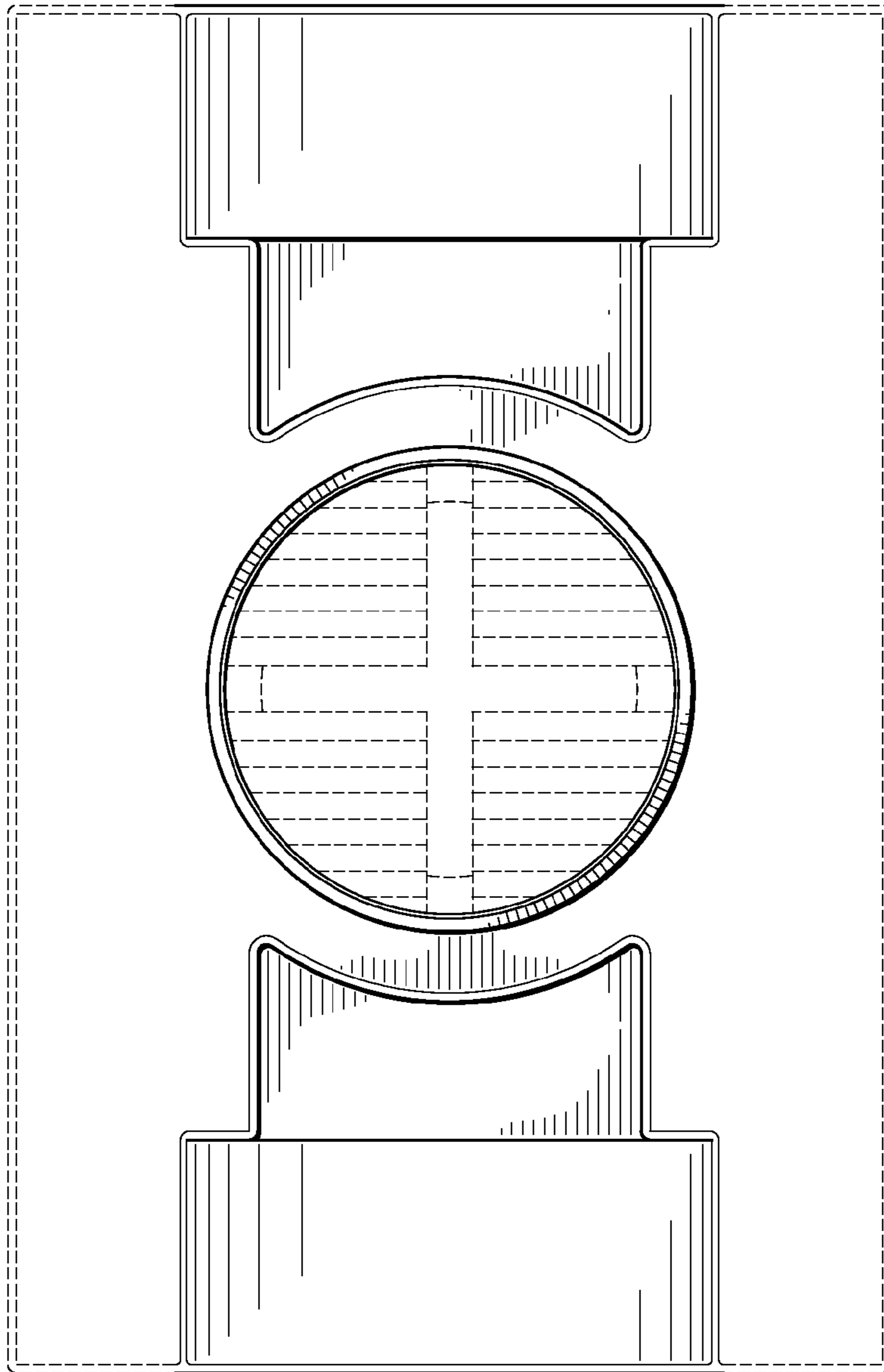
The broken lines shown on FIGS. 1-5 are for illustration only and form no part of the claimed design.

**1 Claim, 3 Drawing Sheets**

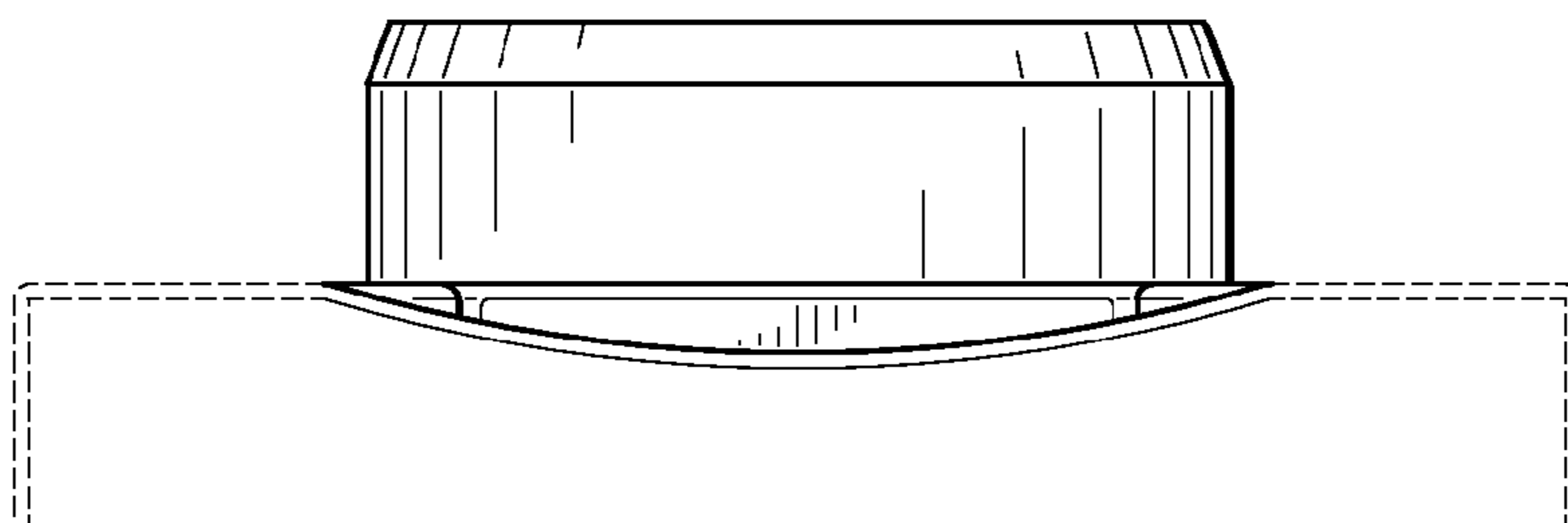




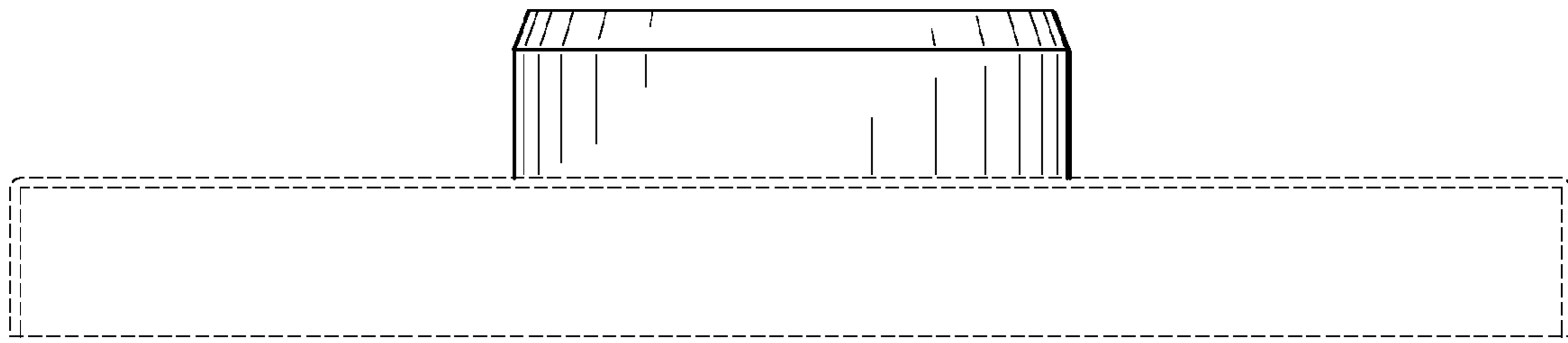
*FIG. 1*



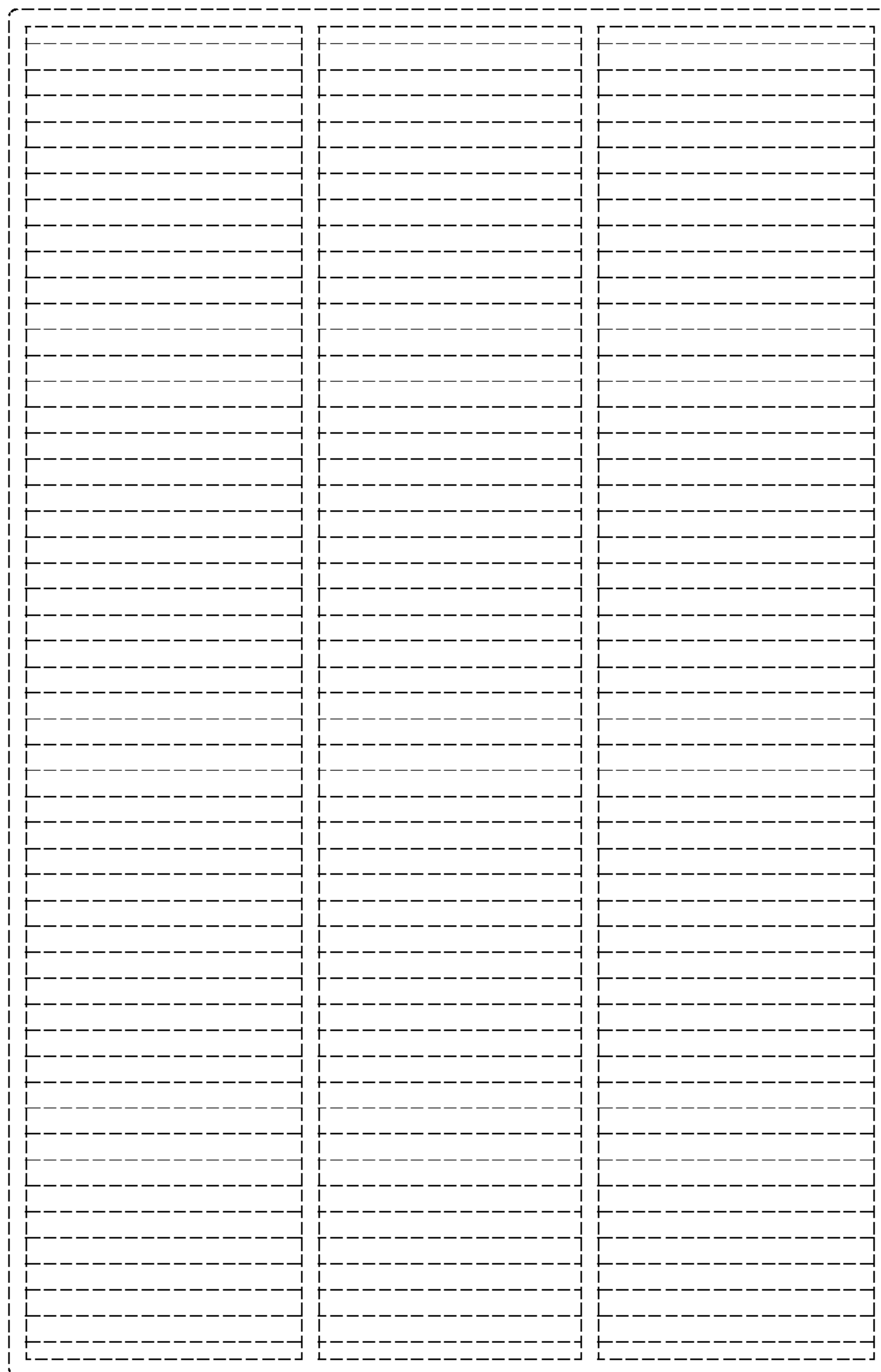
*FIG. 2*



*FIG. 3*



*FIG. 4*



*FIG. 5*