



US00D622457S

(12) **United States Design Patent**
Choi

(10) **Patent No.:** **US D622,457 S**

(45) **Date of Patent:** **** Aug. 24, 2010**

(54) **GARMENT STEAM BRUSH**

(76) **Inventor:** **Lung Wai Choi**, Block A & C, 2/F, Gee
Chang Industrial Building, 108 Lock
Shan Road, Kowloon (HK)

(**) **Term:** **14 Years**

(21) **Appl. No.:** **29/342,386**

(22) **Filed:** **Aug. 24, 2009**

(51) **LOC (9) Cl.** **15-05**

(52) **U.S. Cl.** **D32/17**

(58) **Field of Classification Search** D32/17-18,
D32/9; 15/320-322, 344; D4/114; 134/198,
134/19; 38/77.83, 69; 392/403-405, 386;
8/149.3; 141/59; 239/538, 583, 526; 68/5 A,
68/5 R, 222; D23/224-225

See application file for complete search history.

(56) **References Cited**

U.S. PATENT DOCUMENTS

D319,121 S *	8/1991	Muller	D32/17
5,609,047 A *	3/1997	Hellman et al.	68/222
D426,924 S *	6/2000	Joiner et al.	D32/35
D473,025 S *	4/2003	Simmons	D32/17
D473,987 S *	4/2003	Foersterling	D32/35
D476,160 S *	6/2003	Choi	D4/121
D497,693 S *	10/2004	Hecker et al.	D32/17
6,886,373 B2 *	5/2005	Carrubba et al.	68/222
6,986,217 B2 *	1/2006	Leung et al.	38/77.83
7,155,117 B2 *	12/2006	Leung et al.	392/404
D541,500 S *	4/2007	Leung	D32/35
D576,363 S *	9/2008	Reiner	D32/17

D589,663 S *	3/2009	Massip et al.	D32/17
D592,365 S *	5/2009	Massip et al.	D32/17
D595,461 S *	6/2009	Massip et al.	D32/17
D595,510 S	7/2009	Choi	
D595,964 S *	7/2009	Choi	D4/114
D601,806 S *	10/2009	Choi	D4/114
D601,807 S *	10/2009	Choi	D4/114
D605,821 S *	12/2009	Shaanan	D32/35
2004/0144140 A1 *	7/2004	Lee	68/222
2005/0150261 A1 *	7/2005	Carlucci	68/222
2008/0034813 A1 *	2/2008	Tobias	68/222
2009/0255302 A1 *	10/2009	Haan	68/222
2010/0031707 A1 *	2/2010	Krebs et al.	68/222

* cited by examiner

Primary Examiner—Ruth McInroy

(74) *Attorney, Agent, or Firm*—Stoel Rives LLP

(57) **CLAIM**

I claim the ornamental design for a garment steam brush, as shown and described.

DESCRIPTION

FIG. 1 is a front view of a garment steam brush showing my new design;

FIG. 2 is a rear view thereof;

FIG. 3 is a top view thereof;

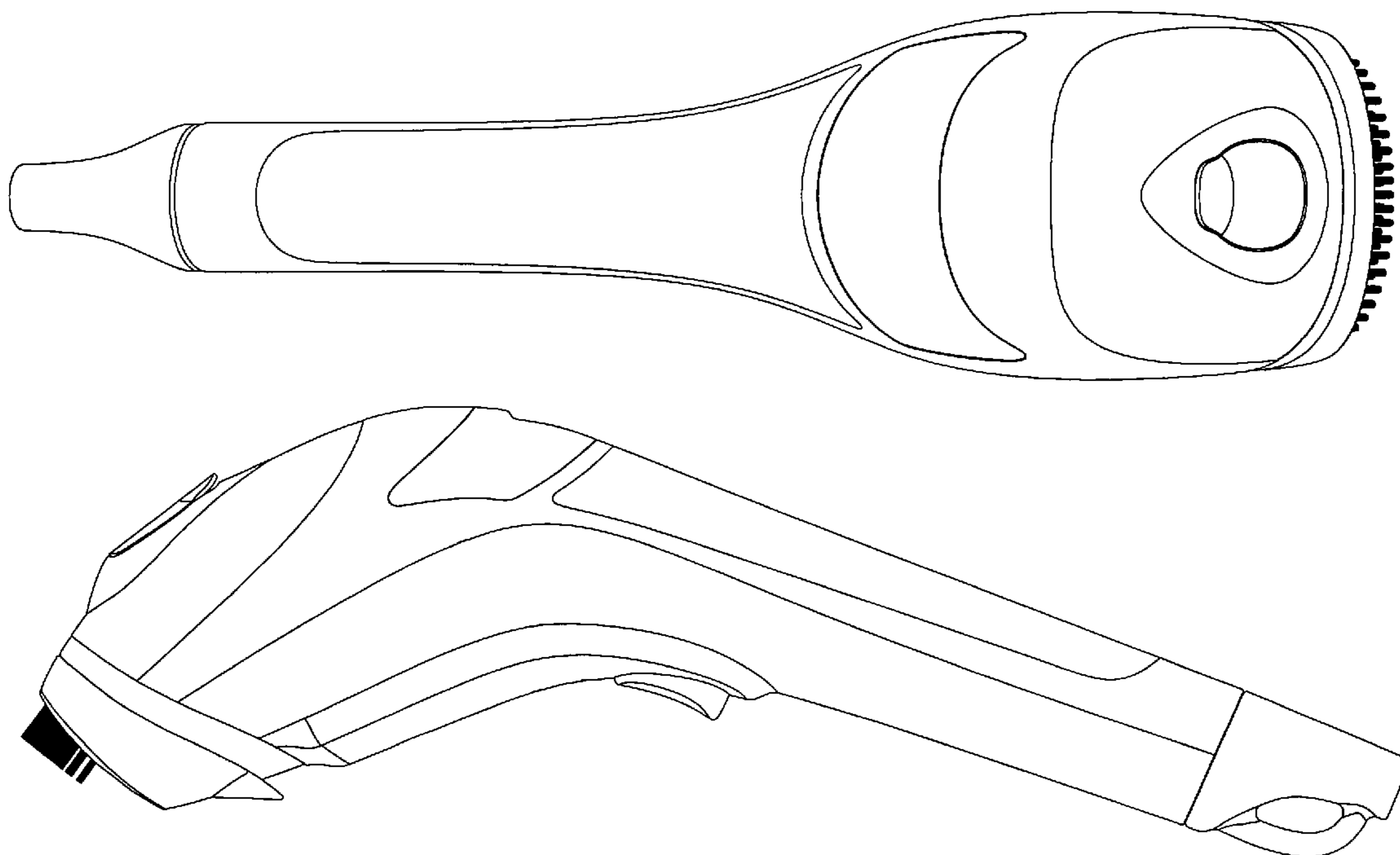
FIG. 4 is a bottom view thereof;

FIG. 5 is a left view thereof;

FIG. 6 is a right view thereof; and,

FIG. 7 is a right perspective view thereof.

1 Claim, 7 Drawing Sheets



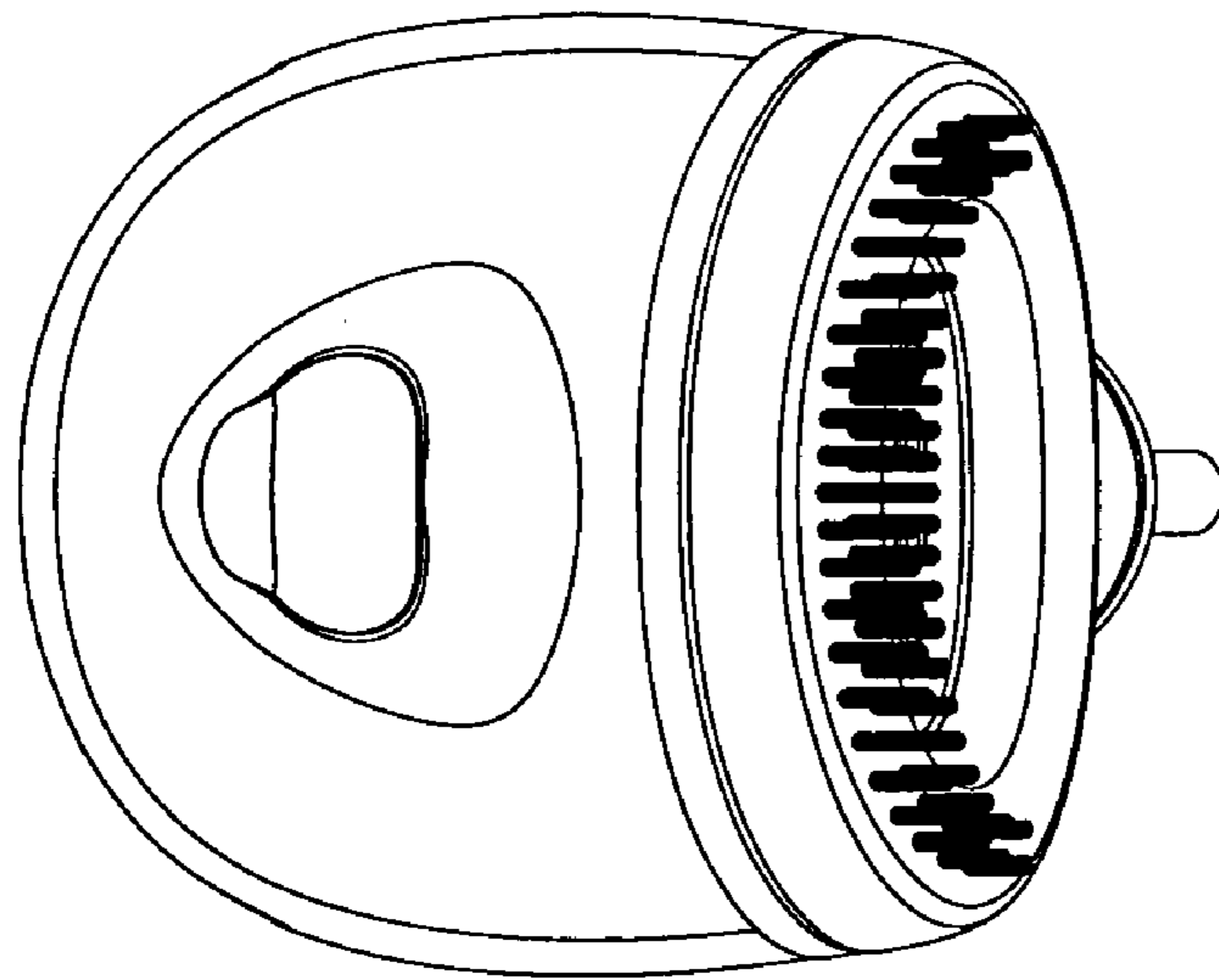


FIGURE 1

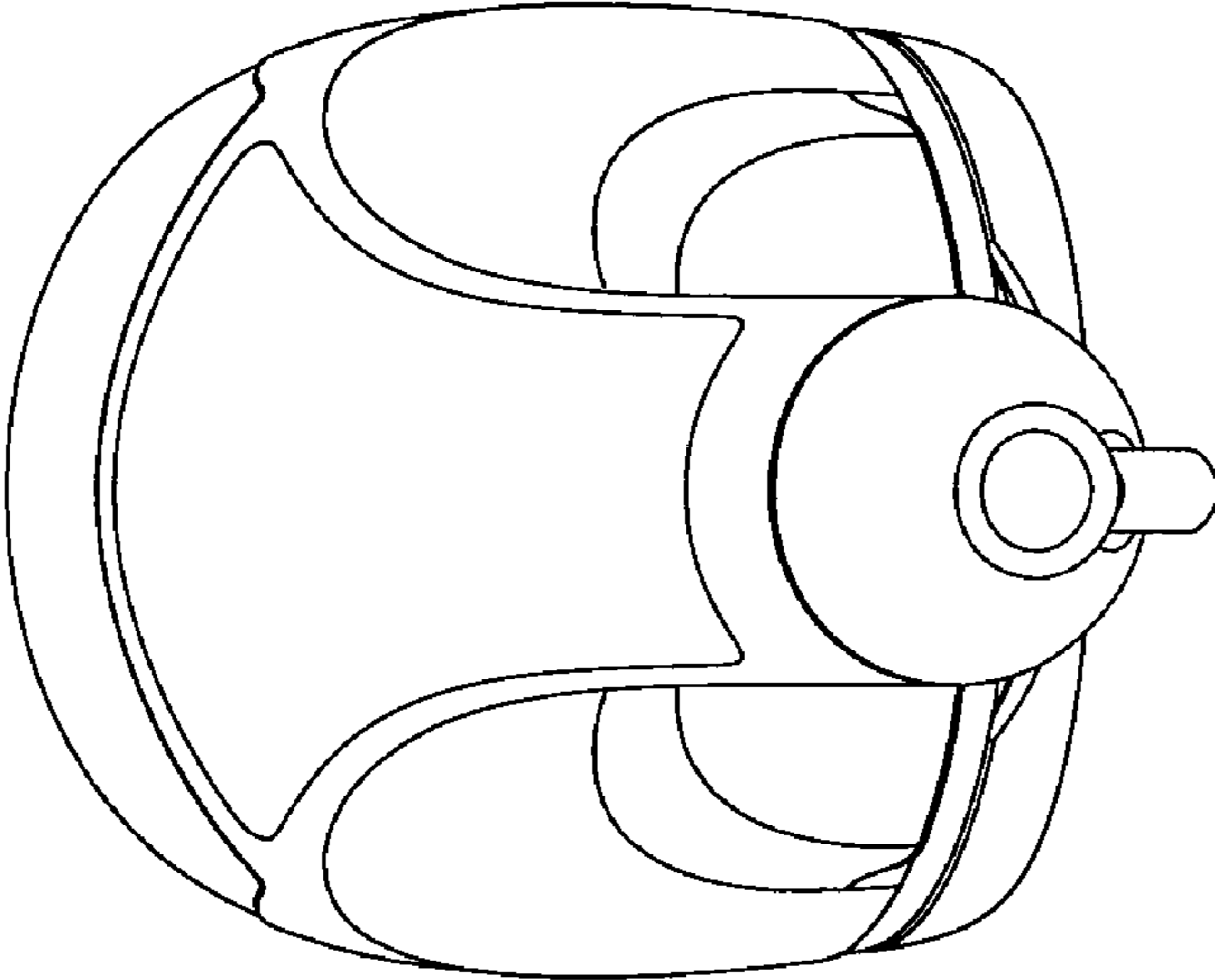


FIGURE 2

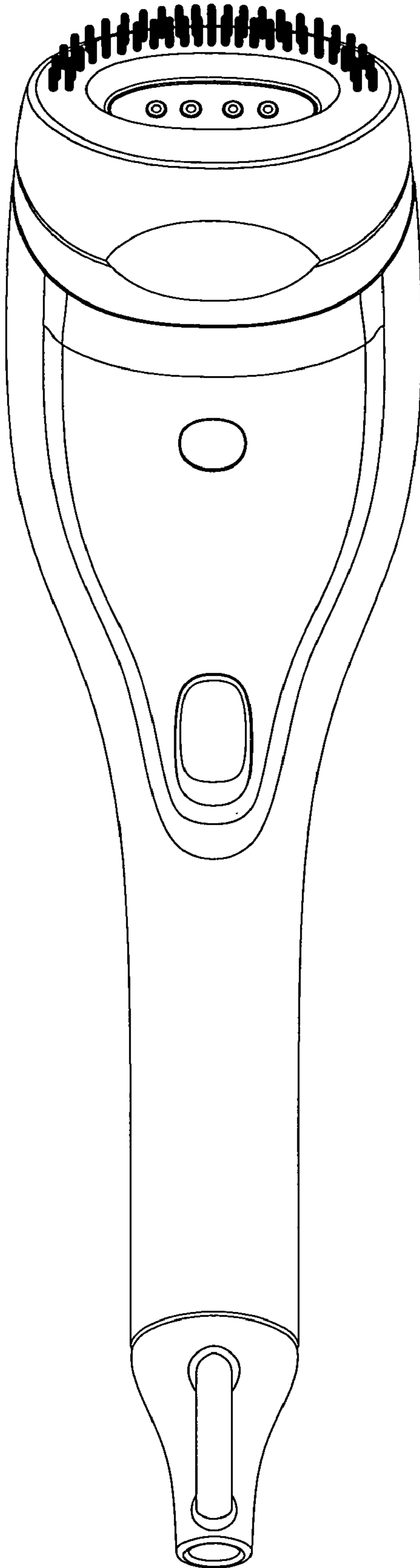


FIGURE 3

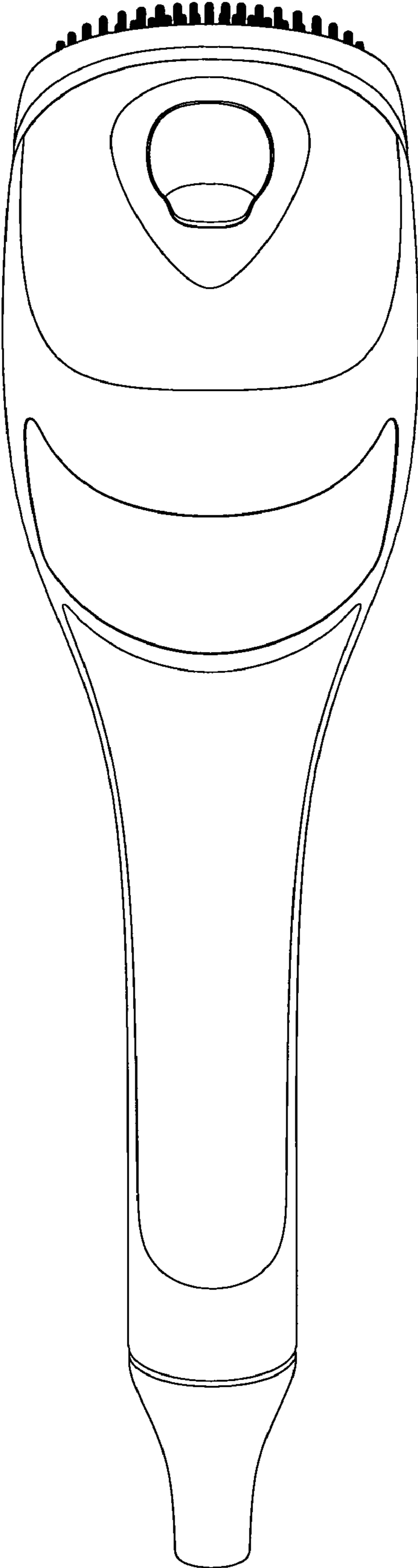


FIGURE 4

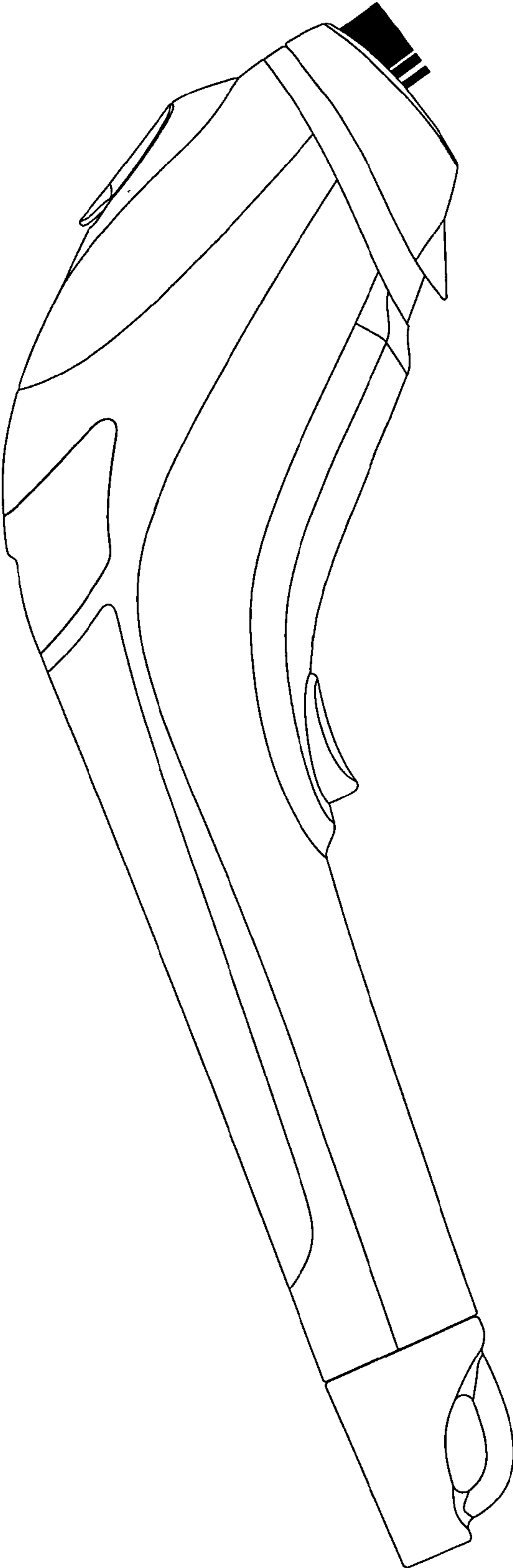


FIGURE 5

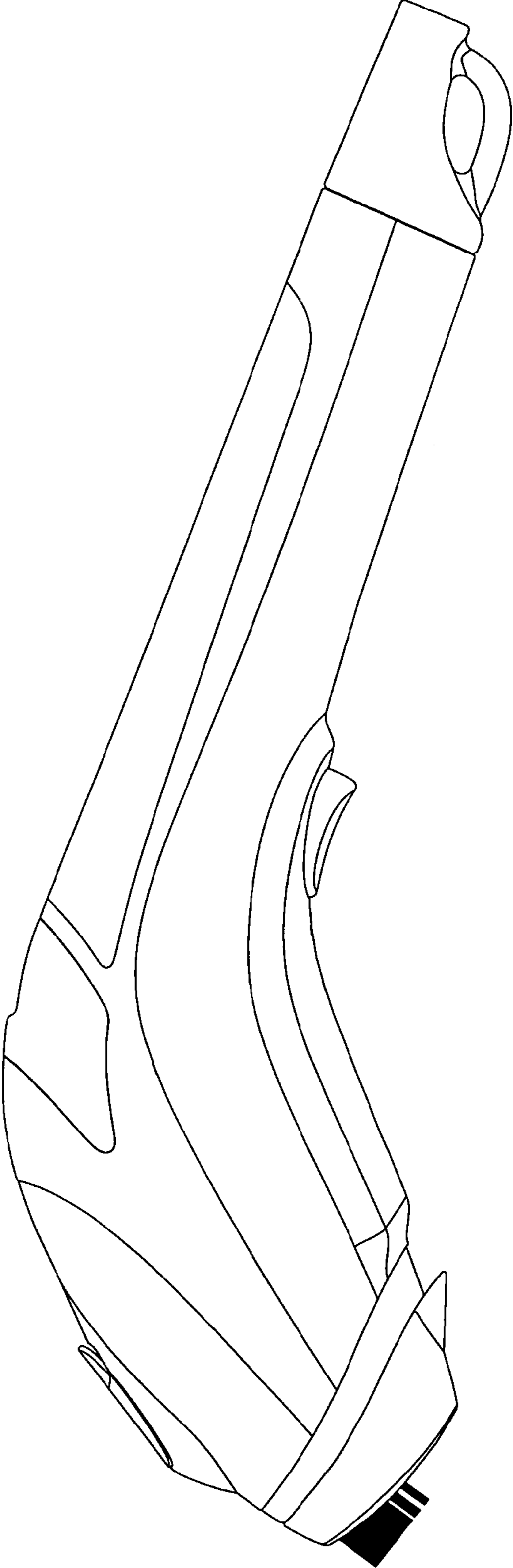


FIGURE 6

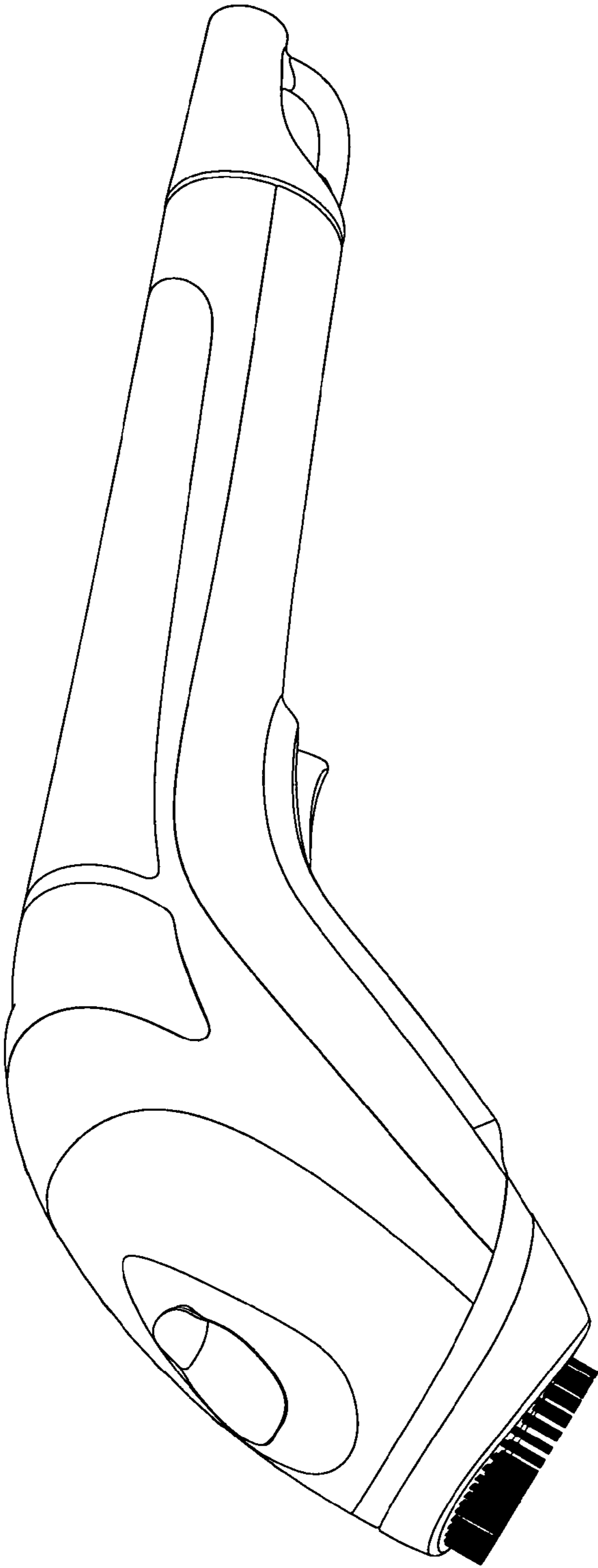


FIGURE 7