



US00D622454S

(12) **United States Design Patent**
Levy et al.

(10) **Patent No.:** **US D622,454 S**

(45) **Date of Patent:** **** Aug. 24, 2010**

(54) **ANIMAL COOLING DEVICE**

(75) Inventors: **Richard C. Levy**, Delray Beach, FL (US); **Gregory S. Spiegel**, Land of Lakes, FL (US)

(73) Assignee: **Rose America Corporation**, Wichita, KS (US)

(**) Term: **14 Years**

(21) Appl. No.: **29/347,640**

(22) Filed: **Mar. 24, 2010**

(51) **LOC (9) Cl.** **30-04**

(52) **U.S. Cl.** **D30/153**

(58) **Field of Classification Search** D30/151-154;
119/792-798, 758, 760, 769, 770, 712, 784,
119/802, 856, 857, 863, 865; 54/71; 30/39;
242/397, 615.3

See application file for complete search history.

(56) **References Cited**

U.S. PATENT DOCUMENTS

2,023,950	A	12/1935	Carter	
2,314,504	A *	3/1943	Lifchultz	242/379.2
5,401,034	A *	3/1995	Mallinger	473/576
5,501,179	A	3/1996	Cory	
D376,215	S *	12/1996	Gomm et al.	D26/38
6,223,695	B1 *	5/2001	Edwards et al.	119/796
6,327,998	B1	12/2001	Andre et al.	
6,405,683	B1 *	6/2002	Walter et al.	119/772
6,474,270	B1 *	11/2002	Imes	119/796
6,712,026	B1 *	3/2004	Carville, Jr.	119/796
6,886,499	B2 *	5/2005	Meissner	119/796
6,955,138	B2 *	10/2005	DeBien	119/776
7,131,401	B2 *	11/2006	Huff et al.	119/796
7,152,902	B2	12/2006	Moen et al.	
7,194,982	B2 *	3/2007	Edwards	119/796
7,497,186	B2	3/2009	Dorton et al.	
2005/0011472	A1 *	1/2005	Wuensch	119/796
2005/0217609	A1	10/2005	Dorton et al.	
2005/0263103	A1 *	12/2005	Updyke et al.	119/796
2006/0012212	A1	1/2006	Moen et al.	

2006/0118062	A1 *	6/2006	Edwards	119/796
2006/0162675	A1 *	7/2006	Ghalebi et al.	119/796
2006/0201450	A1 *	9/2006	Jordan et al.	119/796
2006/0207522	A1 *	9/2006	Perkitny	119/796
2006/0231043	A1 *	10/2006	Galdo	119/796

(Continued)

OTHER PUBLICATIONS

U.S. Appl. No. 12/659,875, filed Mar. 24, 2010, entitled "Animal Cooling Device and Method Therefor".

Primary Examiner—Susan Moon Lee

(74) *Attorney, Agent, or Firm*—Dinesh Agarwal, P.C.

(57) **CLAIM**

The ornamental design for an animal cooling device, as shown and described.

DESCRIPTION

FIG. 1 is a right perspective view of an animal cooling device showing our new design;

FIG. 2 is a left side view of the animal cooling device of FIG. 1;

FIG. 3 is a top plan view of the animal cooling device of FIG. 1;

FIG. 4 is a bottom plan view of the animal cooling device of FIG. 1;

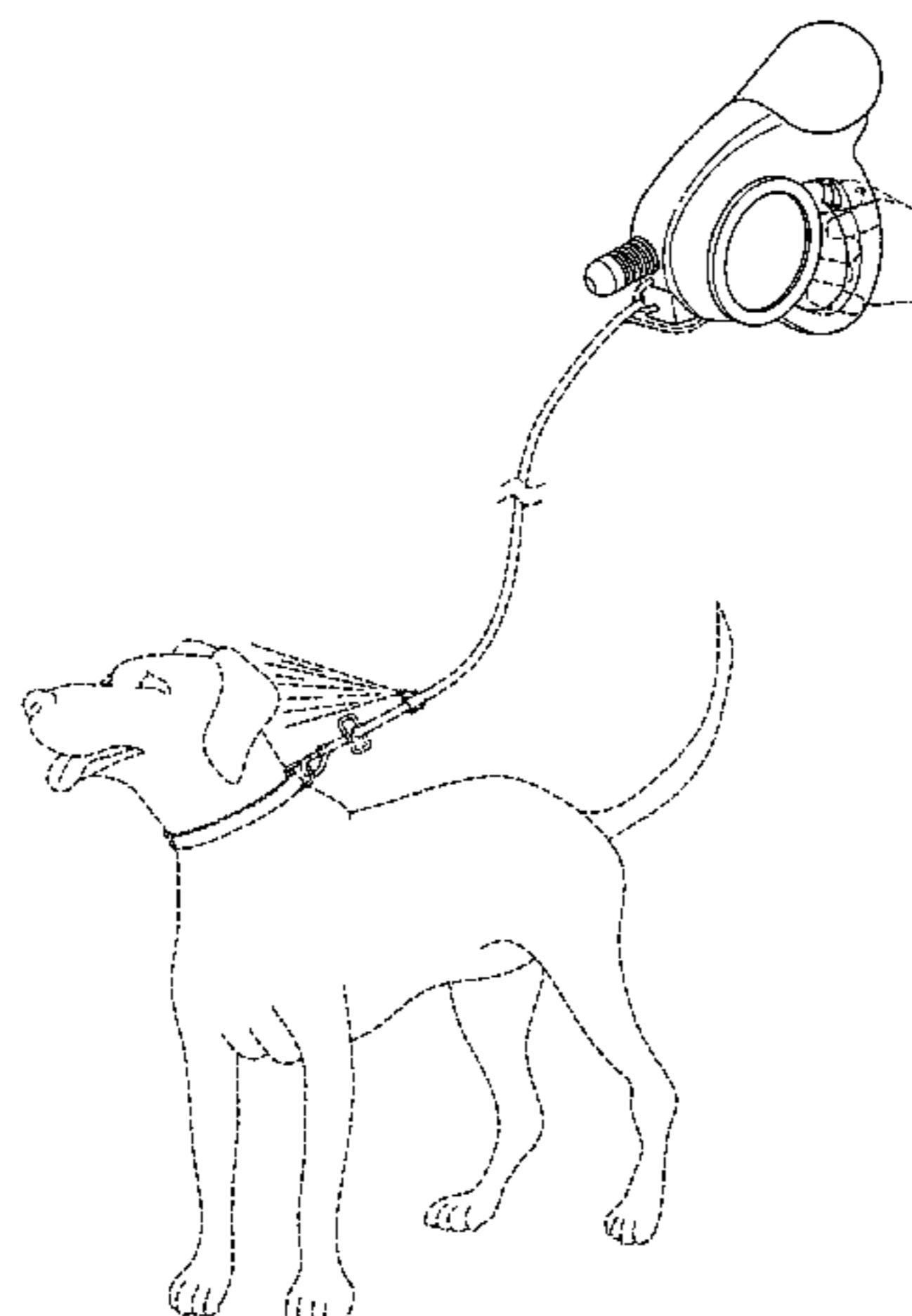
FIG. 5 is a front elevational view of the animal cooling device of FIG. 1;

FIG. 6 is a rear elevational view of the animal cooling device of FIG. 1; and,

FIG. 7 is a perspective view of an animal cooling device of FIG. 1, shown in use.

The portions depicted in broken line are not claimed.

1 Claim, 4 Drawing Sheets



US D622,454 S

Page 2

U.S. PATENT DOCUMENTS			
2007/0157892	A1*	7/2007	Farrell et al. 119/795
2007/0261645	A1	11/2007	Van de Merwe et al.
2008/0173257	A1	7/2008	Steiner et al.
2008/0223308	A1*	9/2008	Stern 119/720
2009/0020077	A1*	1/2009	Macrae 119/719
2009/0183691	A1*	7/2009	Hassan 119/796

* cited by examiner

FIG. 1

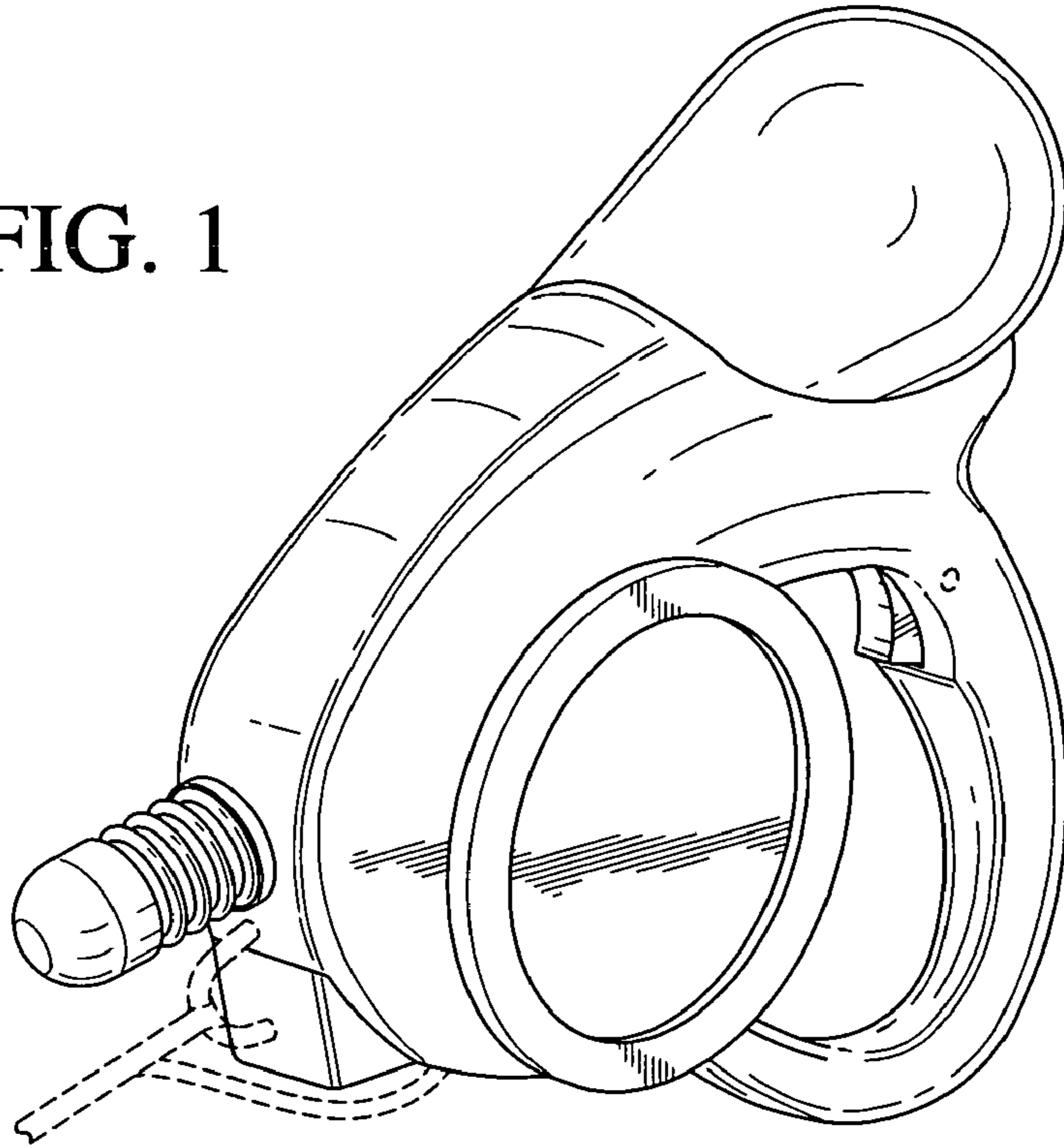
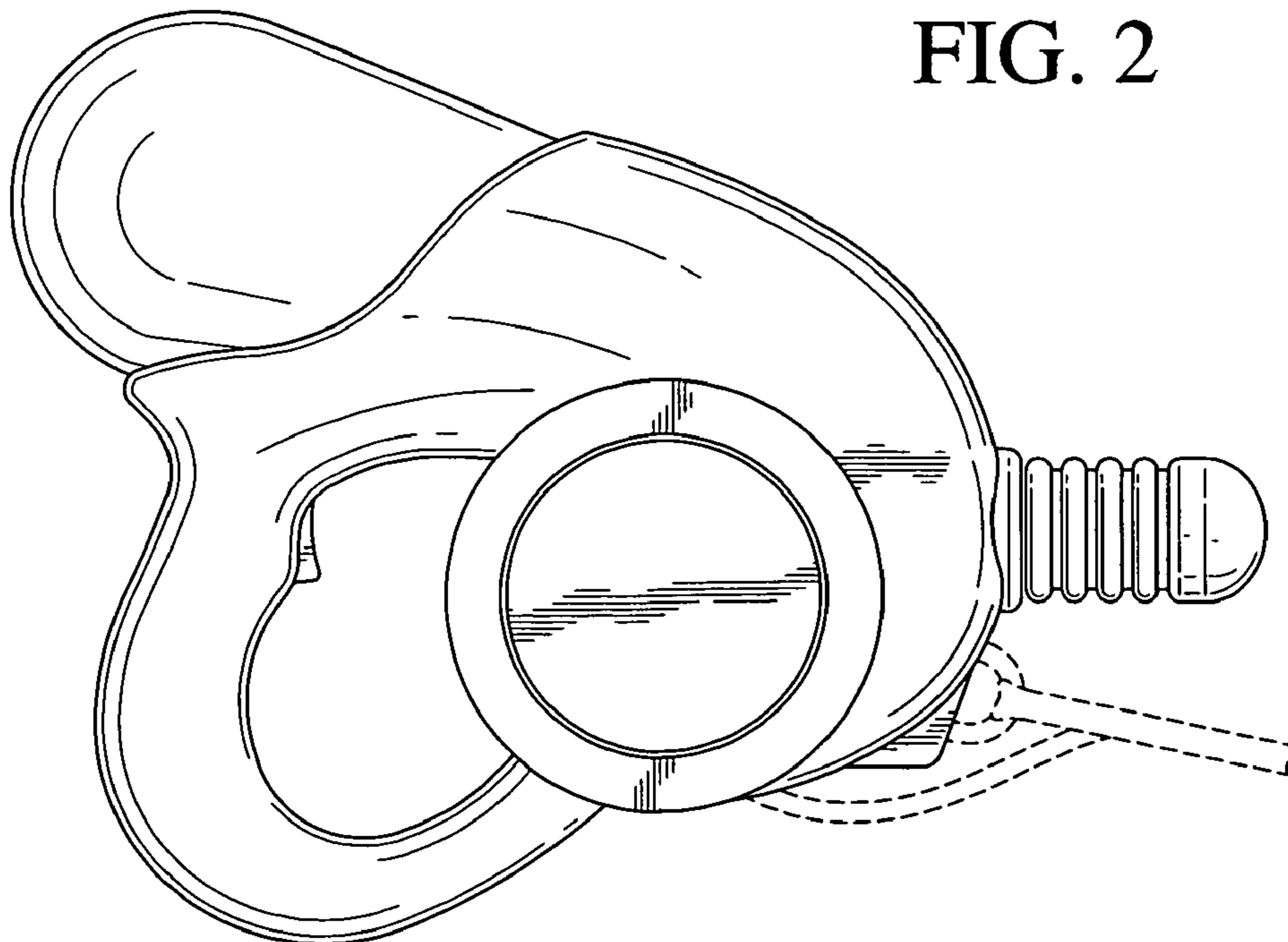


FIG. 2



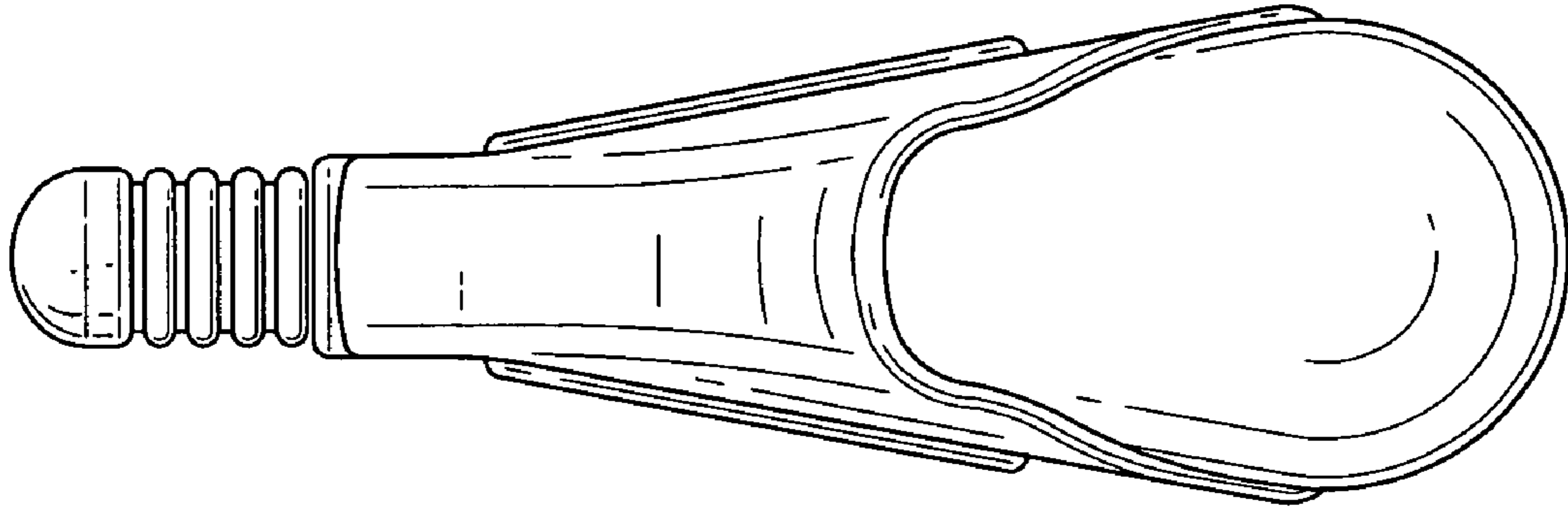


FIG. 3

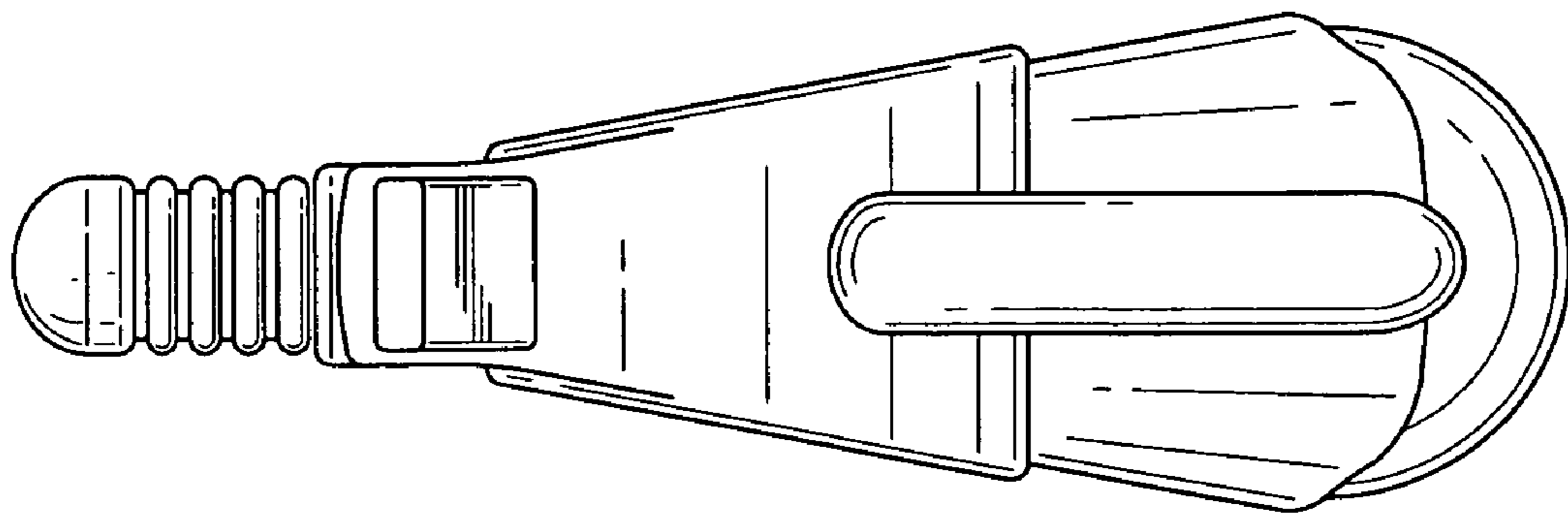


FIG. 4

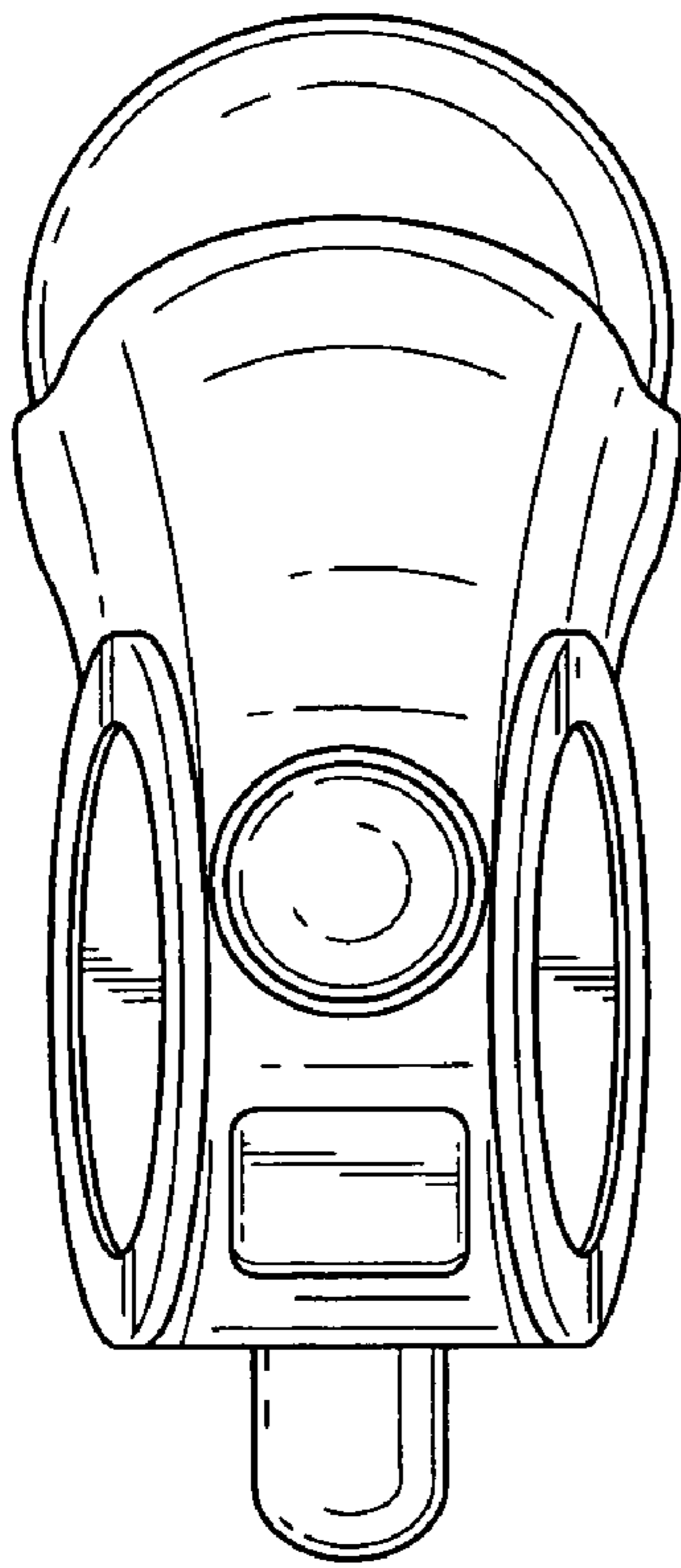


FIG. 5

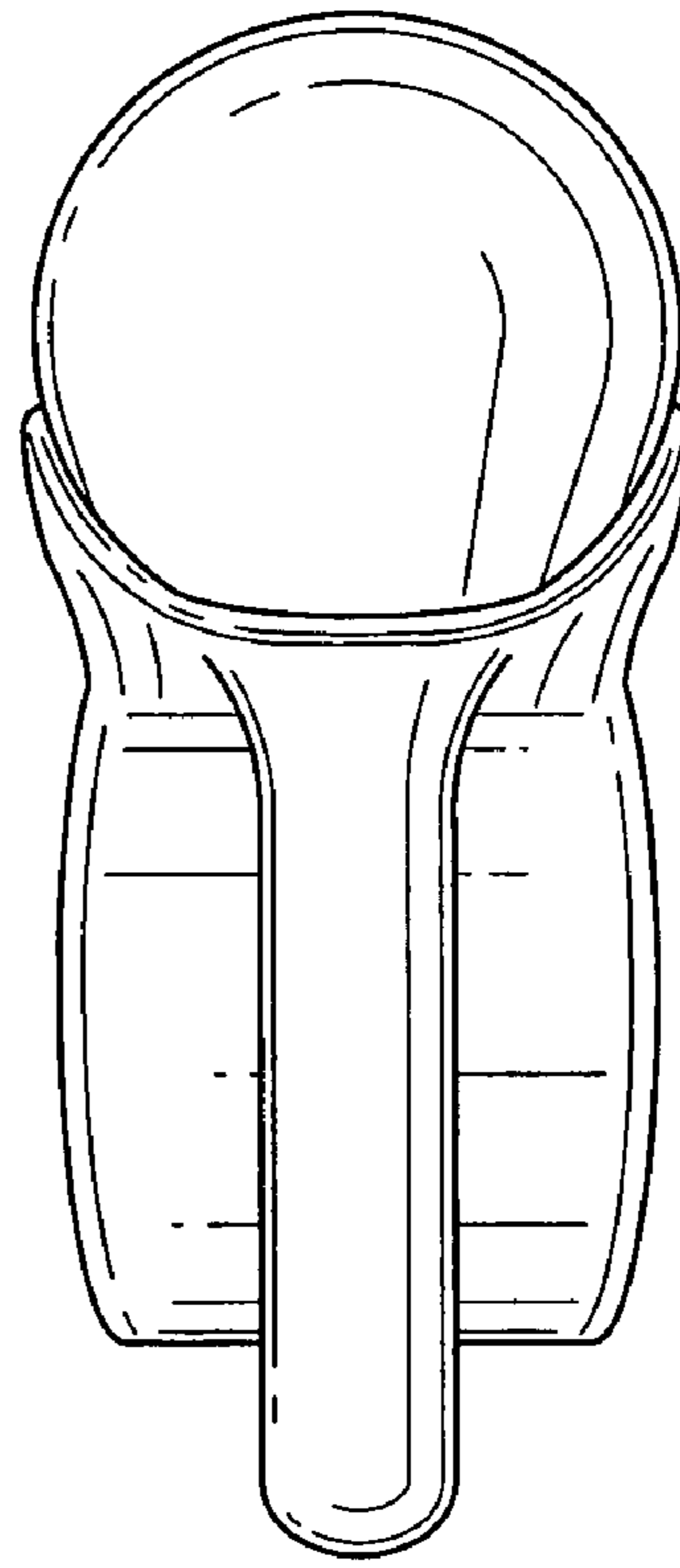


FIG. 6

FIG. 7

