



US00D622453S

(12) **United States Design Patent**
Meritt

(10) **Patent No.:** **US D622,453 S**

(45) **Date of Patent:** **** *Aug. 24, 2010**

(54) **ANIMAL FEEDER**

(75) Inventor: **Rick Meritt**, Gilmer, TX (US)

(73) Assignee: **Rick Meritt Investments, Ltd.**, Gilmer, TX (US)

(**) Term: **14 Years**

(21) Appl. No.: **29/296,686**

(22) Filed: **Oct. 25, 2007**

Related U.S. Application Data

(63) Continuation-in-part of application No. 11/160,611, filed on Jun. 30, 2005, which is a continuation-in-part of application No. 09/920,231, filed on Aug. 1, 2001, now Pat. No. 6,920,841.

(51) **LOC (9) Cl.** **30-03**

(52) **U.S. Cl.** **D30/133**

(58) **Field of Classification Search** D30/133, D30/121, 122, 124, 127, 128, 132; 119/51.01, 119/61, 51.04, 53, 57.91, 54, 53.5, 52.4, 119/51.11, 63, 61.2, 52.1, 57.5, 57.6, 51.13, 119/62, 75, 500, 501; 239/7, 687, 379, 397.5; 222/199, 181.1, 181.2, 185.1, 557, 156, 485, 222/486, 548, 555; 220/200, 227, 247, 262; 221/174, 185.1, 289, 295, 296, 559; 454/35; 209/270, 283, 244; 52/194, 192; 49/279, 49/344, 357; D34/28

See application file for complete search history.

(56) **References Cited**

U.S. PATENT DOCUMENTS

347,416 A 8/1886 Buckingham

(Continued)

FOREIGN PATENT DOCUMENTS

GB 2129266 A 5/1984

GB 2193782 A 2/1988

OTHER PUBLICATIONS

Advertisement (Mumme's Inc.) (1 page), Texas Deer Association Tracks, vol. 6, Issue 3 (May/Jun. 2005), p. 51.

Advertisement (Mumme's Inc.) (1 page), The Journal of the Texas Trophy Hunters Association, Jan./Feb. 2005, on reverse side of p. 74.

(Continued)

Primary Examiner—Melanie Tung

Assistant Examiner—Susan Moon Lee

(74) *Attorney, Agent, or Firm*—Gardere Wynne Sewell, LLP

(57) **CLAIM**

The ornamental design for an animal feeder, as shown and described.

DESCRIPTION

FIG. 1 is a perspective view of one preferred embodiment of an animal feeder according to my new design;

FIG. 2 is a left side elevation view of the animal feeder shown in FIG. 1;

FIG. 3 is a right side elevation view of the animal feeder shown in FIG. 1;

FIG. 4 is a front elevation view of the animal feeder shown in FIG. 1;

FIG. 5 is a rear elevation view of the animal feeder shown in FIG. 1;

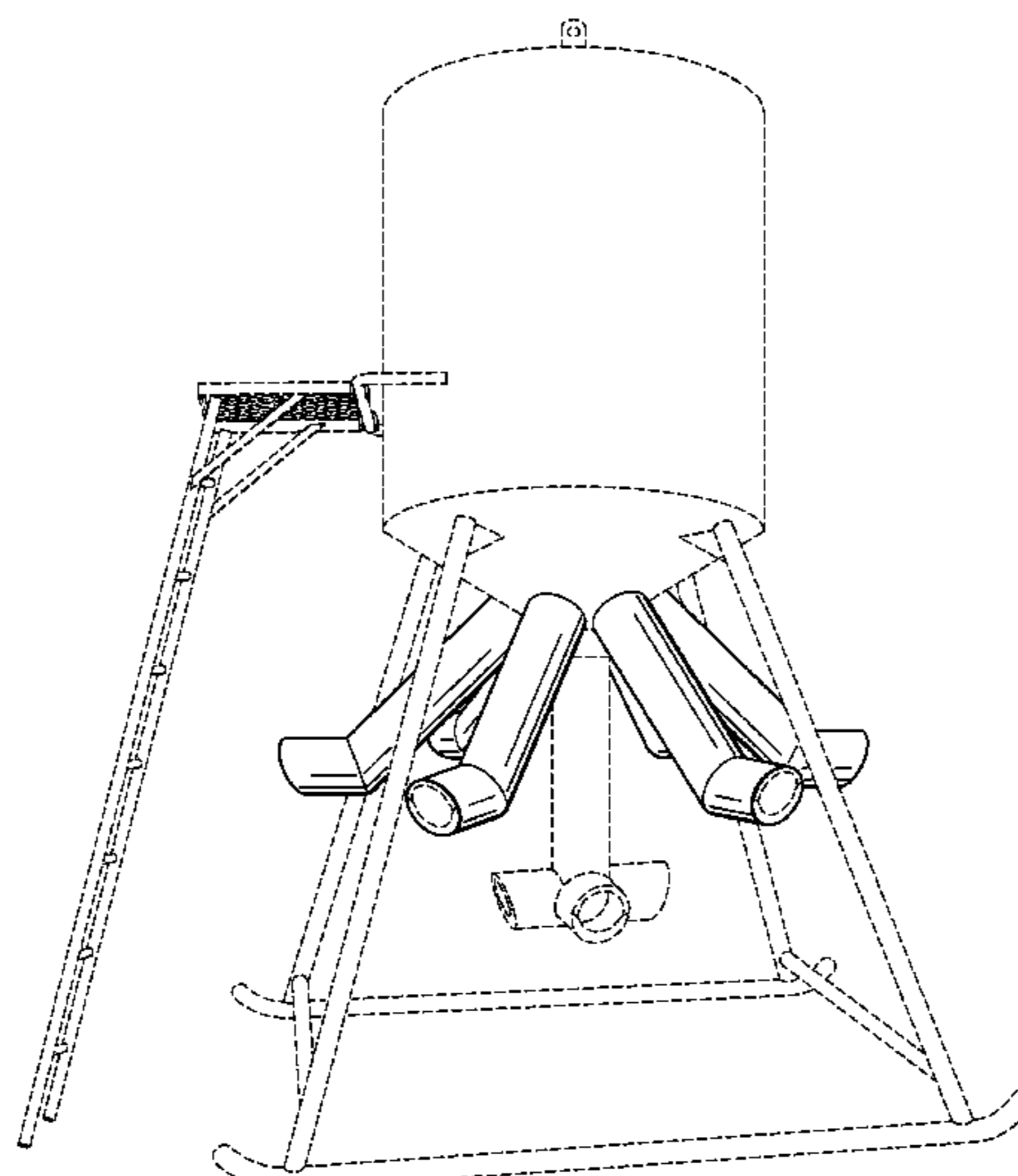
FIG. 6 is a top plan view of the animal feeder shown in FIG. 1; and,

FIG. 7 is a bottom plan view of the animal feeder shown in FIG. 1.

In FIGS. 1–6, the broken line particularly represents the unclaimed edge where the top surface and the side surface of the feeder container meet.

The broken line showing on the top of the feeder represents the unclaimed top surface and the unclaimed edge where that top surface and the side surface of the feeder container meet. All broken line matter shown in the drawings is not claimed.

1 Claim, 7 Drawing Sheets



US D622,453 S

U.S. PATENT DOCUMENTS					
411,140 A	9/1889	Farrington et al.	D262,408 S	12/1981	Whaling
423,712 A	3/1890	Arnold	4,328,880 A	5/1982	Lapeyre 182/93
485,142 A	10/1892	Stephens	4,337,728 A *	7/1982	Van Gilst et al. 119/57.4
587,803 A	8/1897	Ewer	4,358,205 A	11/1982	Eakins
1,214,881 A	2/1917	Bemtzen 239/66	4,397,304 A	8/1983	Villain
1,237,016 A	8/1917	Brown	D271,090 S	10/1983	Edgar et al.
1,239,404 A	9/1917	Knoll, Jr.	D271,963 S	12/1983	Perkins
1,309,671 A	7/1919	Weaver	D273,715 S	5/1984	Sher
1,355,399 A	10/1920	Kelley 119/57.91	D275,228 S	8/1984	Nishigaki
1,359,691 A	11/1920	Genuit	4,508,303 A	4/1985	Beckerer, Jr.
1,561,299 A	11/1925	Banks	D279,717 S	7/1985	Mau et al.
1,563,816 A	12/1925	Worthington	4,538,548 A *	9/1985	Page 119/52.1
D077,948 S	3/1929	Evans	4,542,930 A	9/1985	Adams
D092,312 S	5/1934	Kanter	4,580,528 A	4/1986	Kendall 119/53
2,136,956 A	11/1938	Schmitt	4,601,414 A	7/1986	Lawson 222/564
D130,381 S	11/1941	Roth	4,608,046 A	8/1986	Towfigh
2,454,721 A	11/1948	Severance et al 119/52	4,621,737 A	11/1986	Casey
D152,655 S	2/1949	Rossell	H000176 H	12/1986	Johnstone, Jr.
2,464,278 A	3/1949	Wilson	D288,608 S	3/1987	Dahlberg
D161,749 S	1/1951	Griner	4,653,195 A	3/1987	Esparza
D163,955 S	7/1951	McCartney	4,707,389 A	11/1987	Ward
2,583,203 A	1/1952	Bergeron	4,719,875 A *	1/1988	Van Gilst 119/53.5
2,619,252 A	11/1952	De Hoffmann Felix 220/26	D295,091 S *	4/1988	Swartzendruber D30/132
2,638,871 A	5/1953	Ruedemann 119/53	4,815,621 A	3/1989	Bartis 220/1 B
2,654,346 A	10/1953	Goff 119/81	4,859,423 A	8/1989	Perlman
D171,639 S	3/1954	Clemens, Jr.	D305,193 S	12/1989	Sajadieh
2,756,032 A	7/1956	Dowell	D305,804 S	1/1990	Browning et al.
2,760,807 A	8/1956	Watson	4,956,821 A	9/1990	Fenelon
2,761,597 A	9/1956	Stukey	4,971,366 A	11/1990	Towsley
2,808,029 A	10/1957	Geerling 119/53.5	4,986,220 A *	1/1991	Reneau et al. 119/57.91
2,881,947 A	4/1959	Hancock	4,997,284 A	3/1991	Tousignant et al.
2,886,002 A	5/1959	O'Malley et al. 119/77	D319,759 S	9/1991	Bookout
D187,929 S	5/1960	Rensch	D319,794 S	9/1991	Elkins
2,988,047 A	6/1961	Hurdle 119/52	5,061,180 A	10/1991	Wiele
3,007,618 A	11/1961	Davis et al.	5,069,164 A	12/1991	Wiwi 119/53
3,034,480 A	5/1962	French 119/56	5,086,730 A	2/1992	Figley 119/52.3
D194,594 S	2/1963	Juculano D15/8	5,090,743 A	2/1992	Obering
3,104,778 A	9/1963	Leonard	D326,741 S	6/1992	Powers
3,128,560 A	4/1964	McKenzie	5,130,496 A	7/1992	Jenkins
3,131,511 A	5/1964	Deaner	5,143,289 A	9/1992	Gresham et al.
3,318,473 A	5/1967	Jones et al.	5,183,298 A	2/1993	Harrington
3,386,756 A	6/1968	Primm	D333,841 S	3/1993	Henricksen
3,487,433 A	12/1969	Fleming	5,195,459 A	3/1993	Ancketill 119/57.9
3,515,098 A *	6/1970	Thurmond 119/51.01	5,195,459 A	3/1993	Reeder
3,613,641 A	10/1971	Geerlings	D336,554 S	6/1993	Pollock 49/279
3,636,983 A	1/1972	Keyser	5,218,784 A *	6/1993	Too
3,655,011 A	4/1972	Willett	D340,516 S	10/1993	Shotey
3,658,211 A	4/1972	Kitchens	5,273,454 A	12/1993	Shotey
D226,507 S	3/1973	Wright	5,275,131 A	1/1994	Brake et al. 119/63
3,720,235 A	3/1973	Schrock	5,333,572 A	8/1994	Nutt
3,730,142 A	5/1973	Kahrs et al. 119/54	5,339,996 A	8/1994	Dubbert et al. 222/185
3,780,701 A	12/1973	Wentworth, Sr 119/51 R	5,372,093 A	12/1994	Pooshs
D232,552 S	8/1974	Wtson	5,405,047 A	4/1995	Hansen
3,856,315 A	12/1974	Stansbury	5,410,986 A	5/1995	Washam
3,873,391 A	3/1975	Plauka et al.	5,435,267 A	7/1995	Patterson 119/52.4
D237,001 S	9/1975	Von Serda	5,450,677 A	9/1995	Casey
3,902,460 A	9/1975	Franklin	5,464,257 A	11/1995	Riddles et al.
3,977,045 A	8/1976	Saurenman	D367,093 S	2/1996	Weir
D242,933 S	1/1977	Brubaker et al.	5,503,090 A	4/1996	Guzan 111/7.2
D243,559 S	3/1977	Hoyle et al.	D371,228 S	6/1996	Monin D30/121
D244,857 S	6/1977	Hayes	5,533,646 A	7/1996	Dildine
D245,048 S	7/1977	Pool	5,544,764 A	8/1996	Cima
D245,368 S	8/1977	Mueller	D373,659 S	9/1996	Miller
D246,603 S	12/1977	Frost	D375,159 S	10/1996	Johansson
4,163,474 A	8/1979	MacDonald et al.	5,570,547 A *	11/1996	Webb et al. 52/194
D256,623 S	8/1980	Lockwood	D382,748 S	8/1997	Riskey
D258,012 S	1/1981	Murphy	5,655,671 A	8/1997	Barry et al.
D258,013 S	1/1981	Murphy	5,662,630 A	9/1997	Raynie
4,256,054 A	3/1981	Hitchcock	5,666,260 A	9/1997	Pasmanik et al.
4,291,809 A	9/1981	Lyon	D386,137 S	11/1997	Bailey
D262,144 S	12/1981	Sher	5,699,753 A	12/1997	Aldridge, III
			5,730,302 A	3/1998	Groene
			5,740,757 A	4/1998	Smeester 119/51.02
			D394,178 S	5/1998	Gremchuck

US D622,453 S

Page 3

5,753,158 A	5/1998	Orsing		D558,111 S	12/2007	Banks, III
D397,527 S	8/1998	Bruder et al.	D30/121	7,302,912 B2 *	12/2007	Boyer 119/57.91
5,794,561 A	8/1998	Schulz	119/52.1	7,311,223 B2	12/2007	Post
D401,016 S	11/1998	Holliday		D559,470 S	1/2008	Stevens et al.
5,862,777 A *	1/1999	Sweeney	119/57.91	D562,557 S	2/2008	Lewis
5,876,282 A	3/1999	Kenny		7,370,605 B2	5/2008	Meritt
5,901,497 A	5/1999	Bulvin		D574,309 S	8/2008	Unfried et al.
5,901,886 A *	5/1999	Grindstaff et al.	222/557	D574,932 S	8/2008	Zhuang
5,906,174 A	5/1999	Muldoon	119/54	D575,556 S	8/2008	Rohkar, Jr.
5,934,222 A	8/1999	Hwang		D575,908 S	8/2008	Meritt
5,979,717 A	11/1999	Dalton et al.		7,475,796 B2	1/2009	Garton
D417,614 S	12/1999	Chu		D587,366 S	2/2009	Turkat
D420,316 S	2/2000	Hanlon et al.		D588,166 S	3/2009	Lyons, III
D421,650 S	3/2000	Liao		D598,354 S	8/2009	Nakazawa et al.
D421,821 S	3/2000	Kinjerski		D598,602 S	8/2009	Laarman
D423,436 S	4/2000	Larson		D599,503 S	9/2009	Meritt
D426,734 S	6/2000	Fuchs		D602,647 S	10/2009	Meritt
6,073,587 A	6/2000	Hill et al.	119/474	D603,104 S	10/2009	Meritt
6,082,300 A *	7/2000	Futch	119/51.11	D603,105 S	10/2009	Meritt
6,142,100 A	11/2000	Marchioro		D603,566 S	11/2009	Meritt
D436,861 S	1/2001	Sagel et al.		D604,017 S	11/2009	Meritt
6,199,509 B1	3/2001	Mostyn et al.	119/51.01	2002/0134850 A1	9/2002	Hollenberg
D445,062 S	7/2001	Wong		2005/0224126 A1	10/2005	Otani et al.
D445,170 S	7/2001	Speicher		2005/0229860 A1	10/2005	Meritt 119/53
6,283,159 B1	9/2001	Tada		2005/0269367 A1	12/2005	Post 222/185.1
D450,456 S	11/2001	Warren, III		2006/0048712 A1	3/2006	Boyer 119/57.91
6,328,184 B1	12/2001	Krol		2006/0060148 A1	3/2006	Boyer
6,329,602 B1	12/2001	Ushiyama et al.		2006/0283396 A1	12/2006	Hernandez
6,364,125 B1	4/2002	D'Angelo		2007/0028844 A1	2/2007	Bodenstab et al.
D458,201 S	6/2002	Warren		2008/0178815 A1	7/2008	Meritt
D460,726 S	7/2002	Campbell et al.		2008/0178816 A1	7/2008	Meritt
6,435,134 B1	8/2002	Ho				
6,439,158 B1	8/2002	Blohm				
D464,875 S	10/2002	Koppang				
D466,809 S	12/2002	Sagel				
6,488,511 B1	12/2002	Stewart				
6,510,813 B1	1/2003	Boone, Jr.	119/57.91			
D469,926 S	2/2003	Petrucelli				
D476,451 S	6/2003	Morgan, Sr.				
6,591,990 B2	7/2003	Lanman et al.				
6,622,653 B1 *	9/2003	Starnes, Jr.	119/51.01			
6,637,595 B1	10/2003	Frossard et al.				
D486,946 S *	2/2004	Castro	D30/121			
D487,170 S	2/2004	Petrucelli				
6,691,640 B1 *	2/2004	Huckabee	119/51.01			
D488,889 S	4/2004	Walsh				
D490,352 S	5/2004	Ward				
6,763,781 B1	7/2004	Norrell				
D494,384 S	8/2004	Chandaria				
D495,186 S	8/2004	Poupel et al.				
6,786,180 B1	9/2004	Cheng				
D504,309 S	4/2005	Fuchs				
6,904,690 B2	6/2005	Bakke et al.				
6,920,841 B2	7/2005	Meritt	119/51.01			
6,959,664 B1	11/2005	Keuter et al.				
D520,423 S	5/2006	Poole				
7,059,355 B2	6/2006	Otani et al.				
D525,657 S	7/2006	Warren, III				
D528,488 S	9/2006	Webb				
7,143,721 B2	12/2006	Robbins				
D534,469 S	1/2007	Murkett				
7,165,796 B1	1/2007	Hung				
D540,231 S	4/2007	Braun et al.				
7,204,201 B2	4/2007	Leombruno				
D541,718 S	5/2007	Emler				
D542,533 S	5/2007	Yang				
D543,666 S	5/2007	Ross et al.				
7,214,028 B2	5/2007	Boasso et al.				
D545,742 S	7/2007	Kinoshita				
D548,589 S	8/2007	Blasko et al.				
D548,890 S	8/2007	Chen				
D549,313 S	8/2007	Kelnhofer				
D551,965 S	10/2007	Blasko et al.				

OTHER PUBLICATIONS

Advertisement (Sweeney Automated Feeding Systems) (2 pages, front and back) (date referenced Jan. 1-Feb. 28, 2005).

Internet web site (Atascosa Wildlife Supply) (2 pages); <http://www.atascosawildlifesupply.com/feeders.html> (Mar. 8, 2005).

Advertisement (Atascosa Wildlife Supply) (2 pages); The Journal of the Texas Trophy Hunters Association, May/June. 2005 (reverse sides of pp. 23 and 26).

Advertisement (Texas Wildlife Supply) (1 page), The Journal of the Texas Trophy Hunters Association, May/June. 2005 (reverse side of p. 174).

Internet web site (American Hunter Outdoor Products) (15 pages); <http://www.americanhunterfeeders.com> (Feb. 24, 2005).

Internet web site (Mumme's Inc.) (1 page); <http://www.mummesinc.com> (Feb. 24, 2005).

Internet web site (Boss Game Systems) (3 pages); <http://www.bossgamesystems.com> (Oct. 6, 2005).

Advertisement (American Hunter Outdoor Products) (1 page), The Journal of the Texas Trophy Hunters Association, May/June. 2005, on reverse side of p. 155.

"Introduction to Welding," Materials Engineering Group.; Copyright 1997 Materials Engineering (UK) Ltd.; [tp://www.meg.co.uk/meg/app01.htm](http://www.meg.co.uk/meg/app01.htm).

"Welding," Microsoft Encarta Online Encyclopedia 2002; <http://encarta.msn.com> (1997-2002) Microsoft Corporation.

"Fair Special, 2000# Capacity Gravity Flow Protein Feeder," and Photo, Sycamore Springs Ranch, Approximately Oct. 2005.

Advertisement (Rick Meritt; Outback Wildlife Feeders); The Journal of the Texas Trophy Hunters, Sep./Oct. 2007, vol. 32, No. 5 (3pp).

Advertisement (Rick Meritt; Outback Wildlife Feeders); The Journal of the Texas Trophy Hunters, Jul./Aug. 2006, vol. 31, No. 4 (3pp).

Advertisement (Rick Meritt; Outback Wildlife Feeders); The Journal of the Texas Trophy Hunters, Sep./Oct. 2005, vol. 30, No. 5 (3pp).

Advertisement (Rick Meritt; Outback Wildlife Feeders); The Journal of the Texas Trophy Hunters, Sep./Oct. 2001, vol. 26, No. 5 (2pp).

Advertisement (Rick Meritt; Outback Wildlife Feeders); The Journal of the Texas Trophy Hunters, Sep./Oct. 2002, vol. 27, No. 5 (2pp).

Advertisement (Rick Meritt; Outback Wildlife Feeders); The Journal of the Texas Trophy Hunters, Sep./Oct. 2003, vol. 28, No. 5 (2pp).

Advertisement (Rick Meritt; Outback Wildlife Feeders); The Journal of the Texas Trophy Hunters, Sep./Oct. 2004, vol. 29, No. 5 (2pp).

* cited by examiner

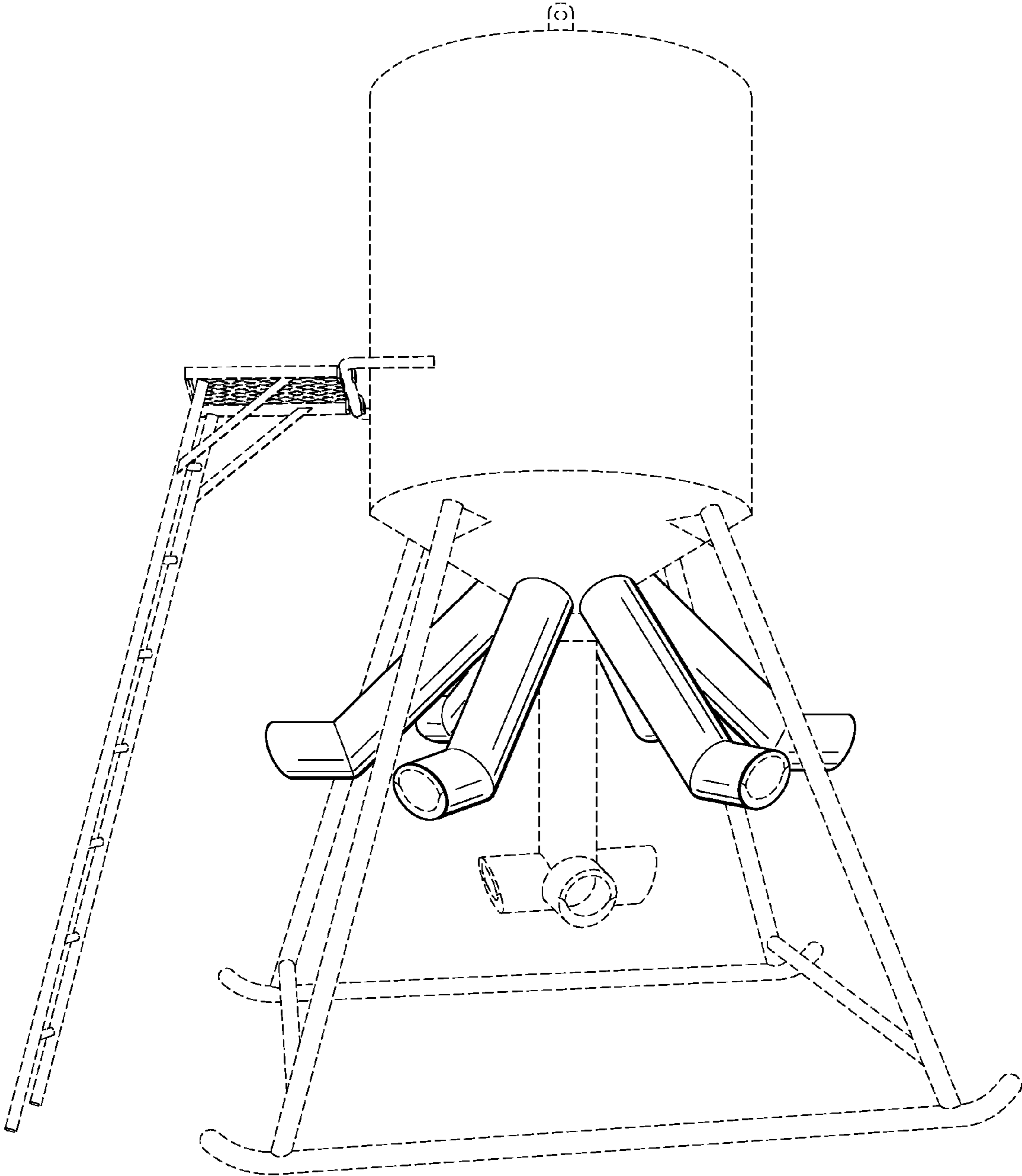


FIG. 1

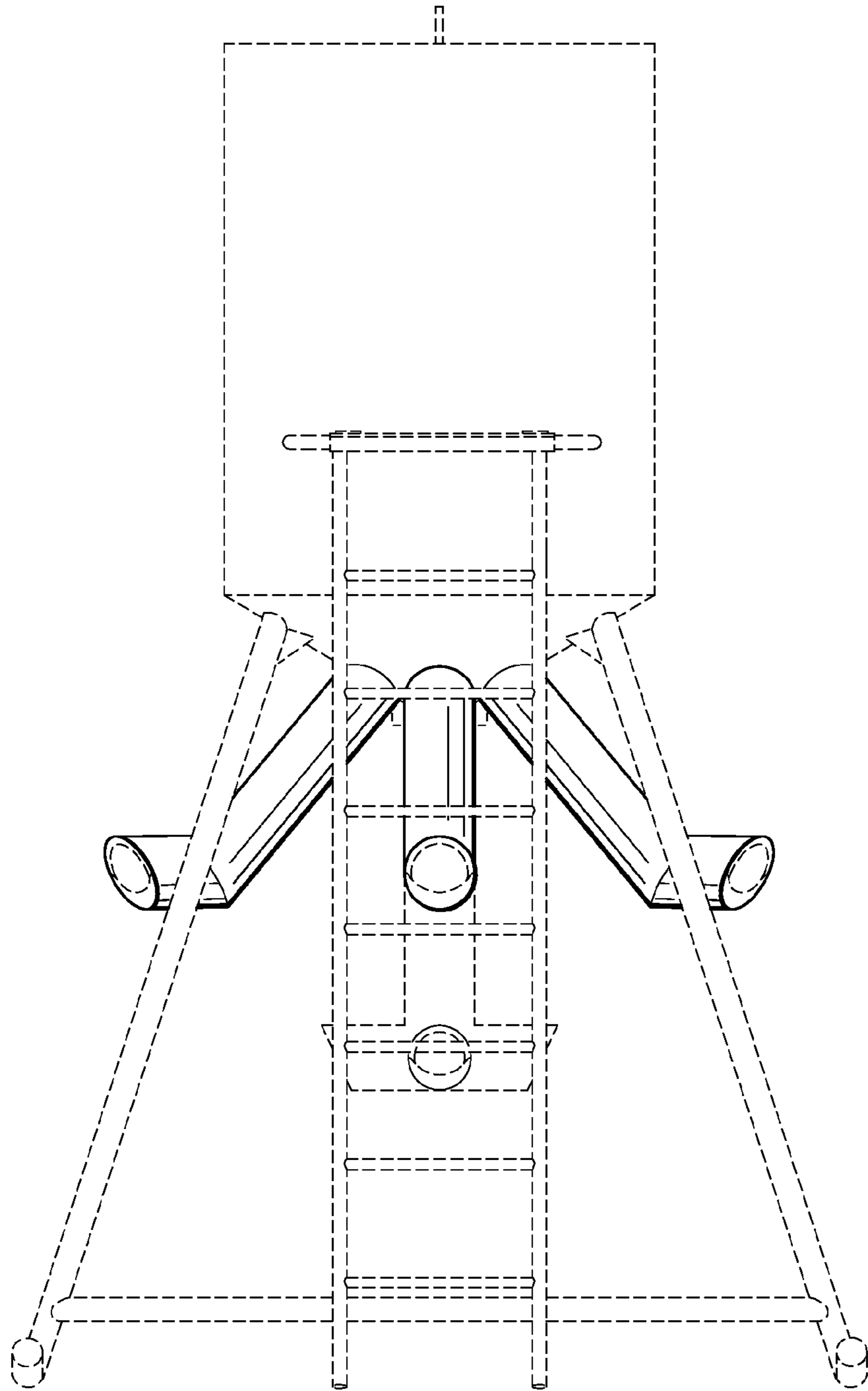


FIG. 2

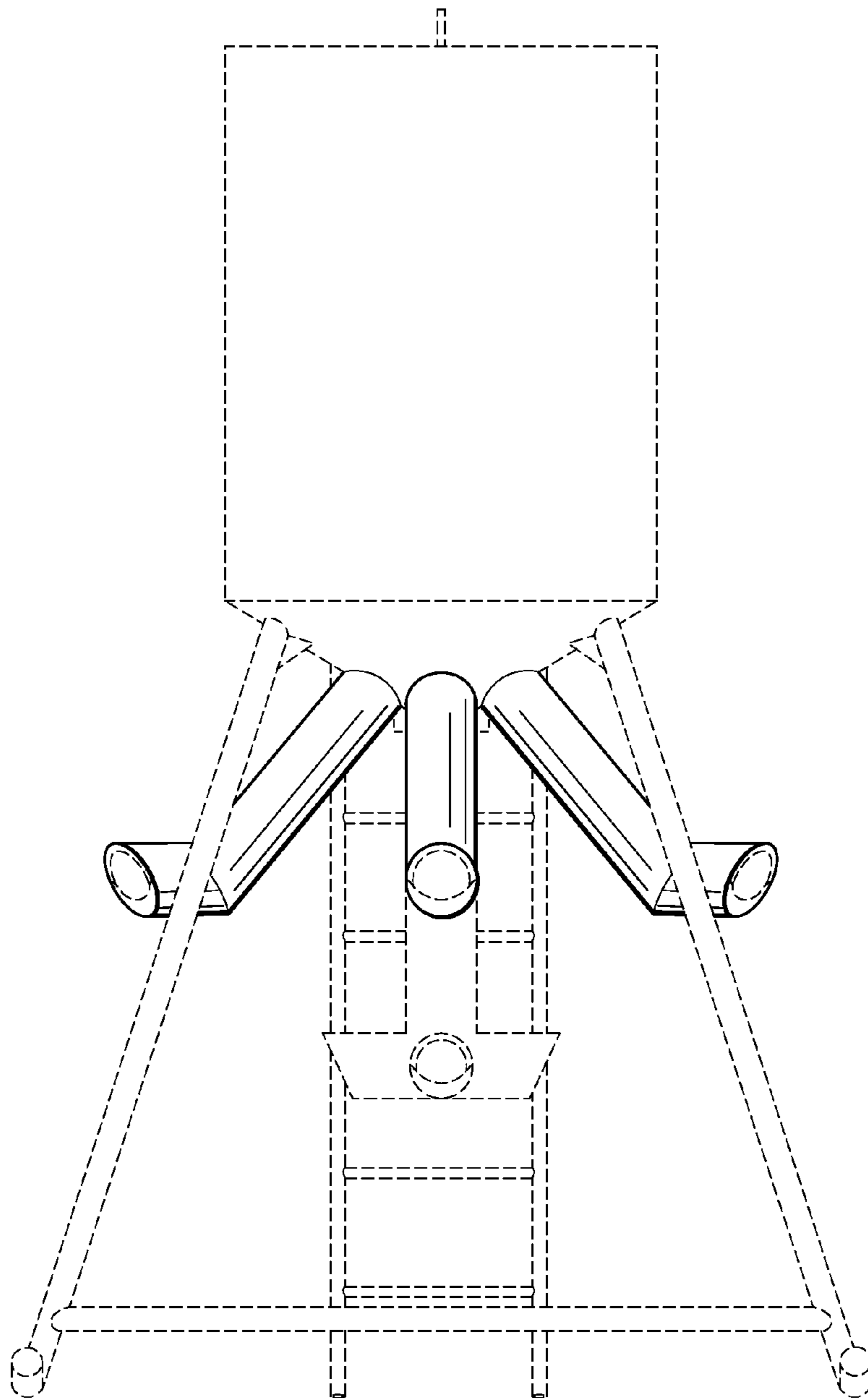


FIG. 3

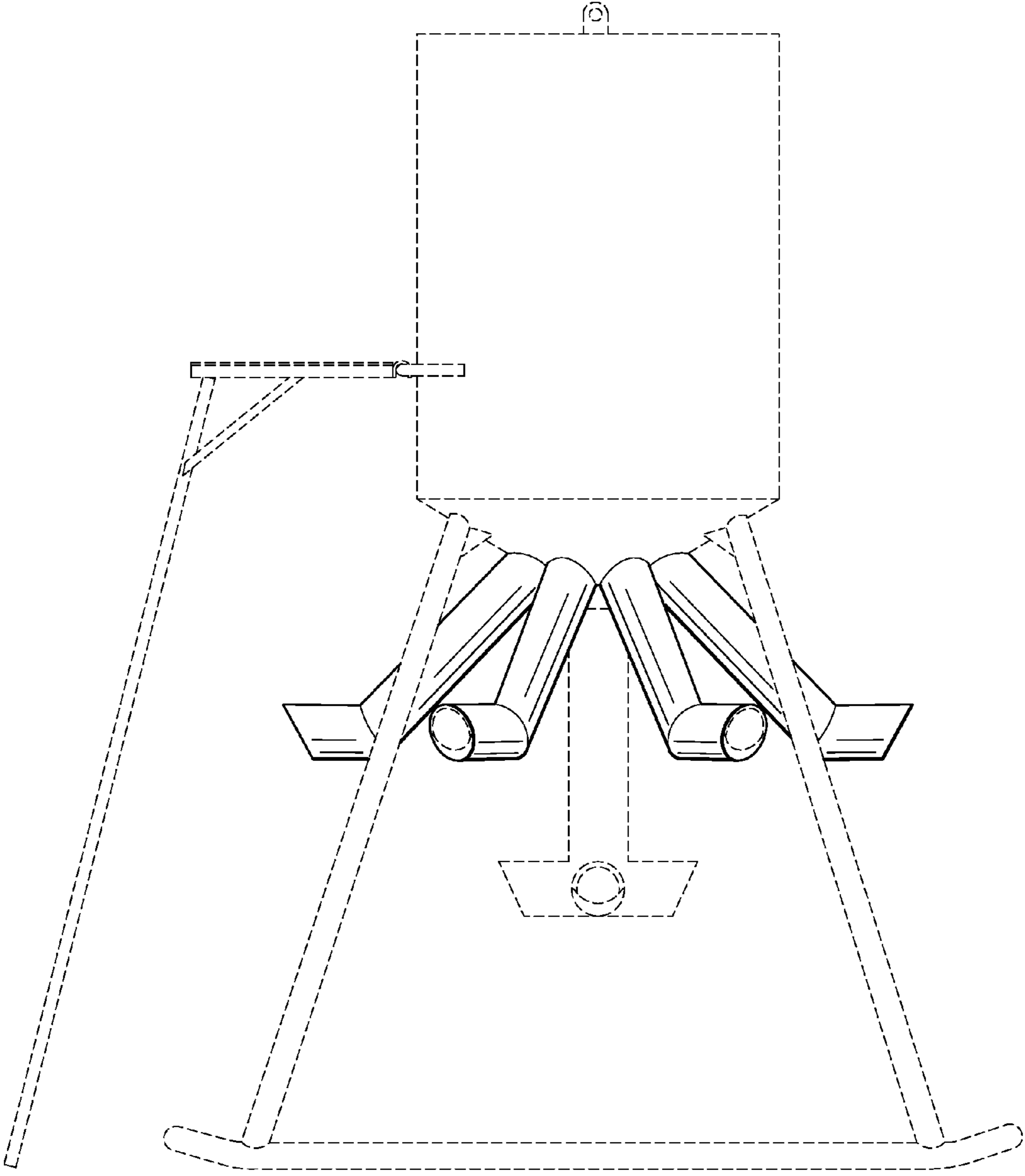


FIG. 4

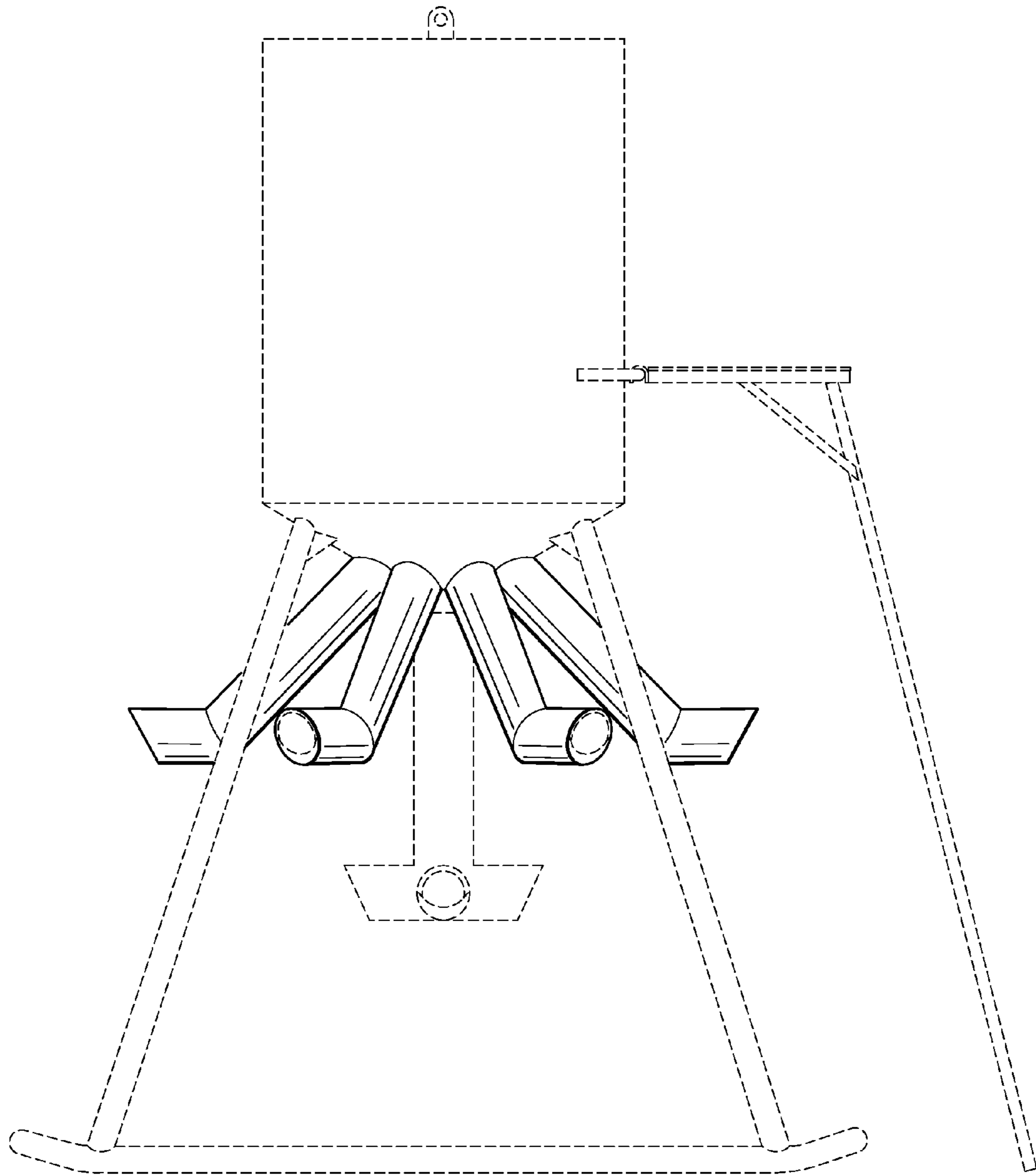


FIG. 5

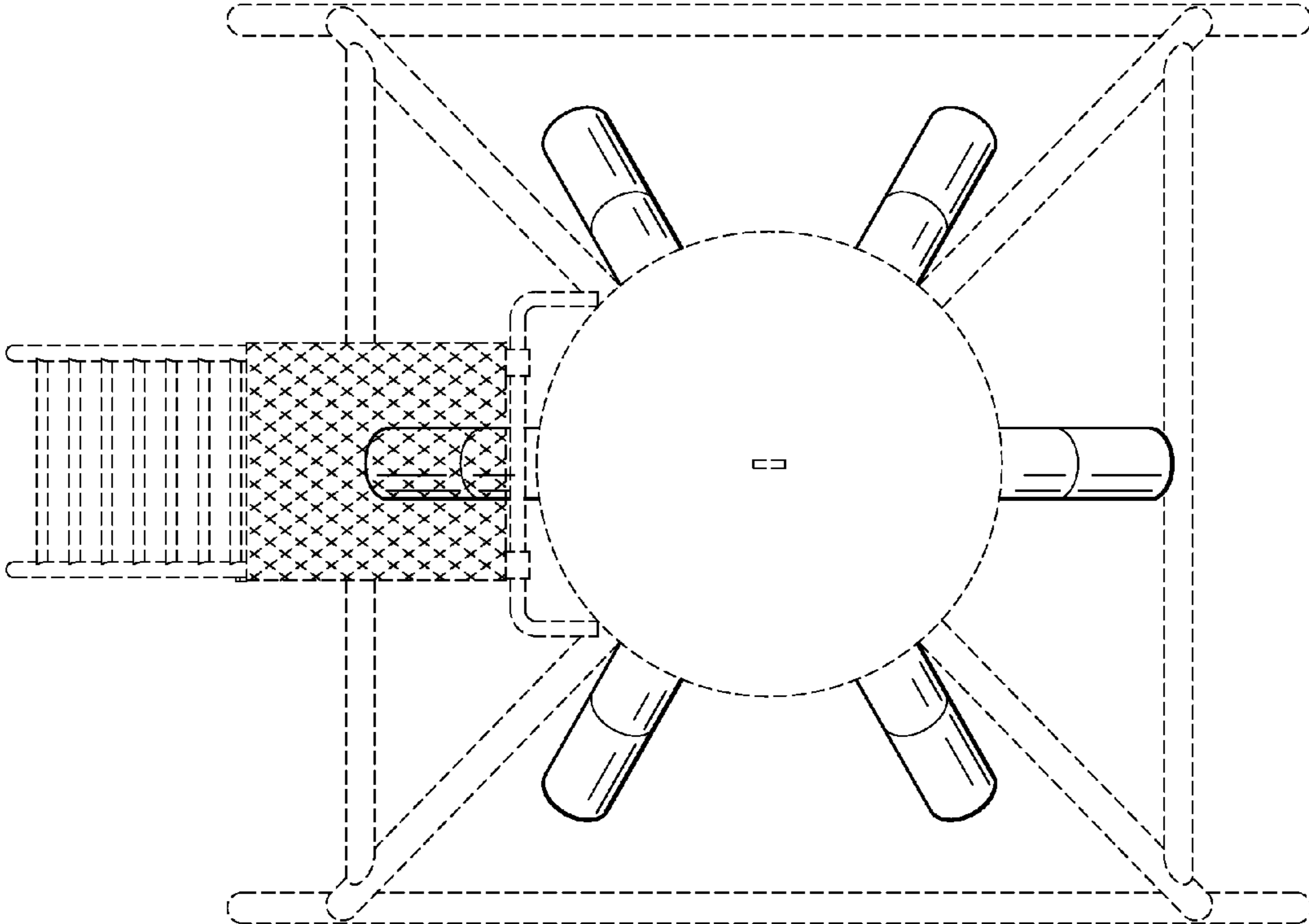


FIG. 6

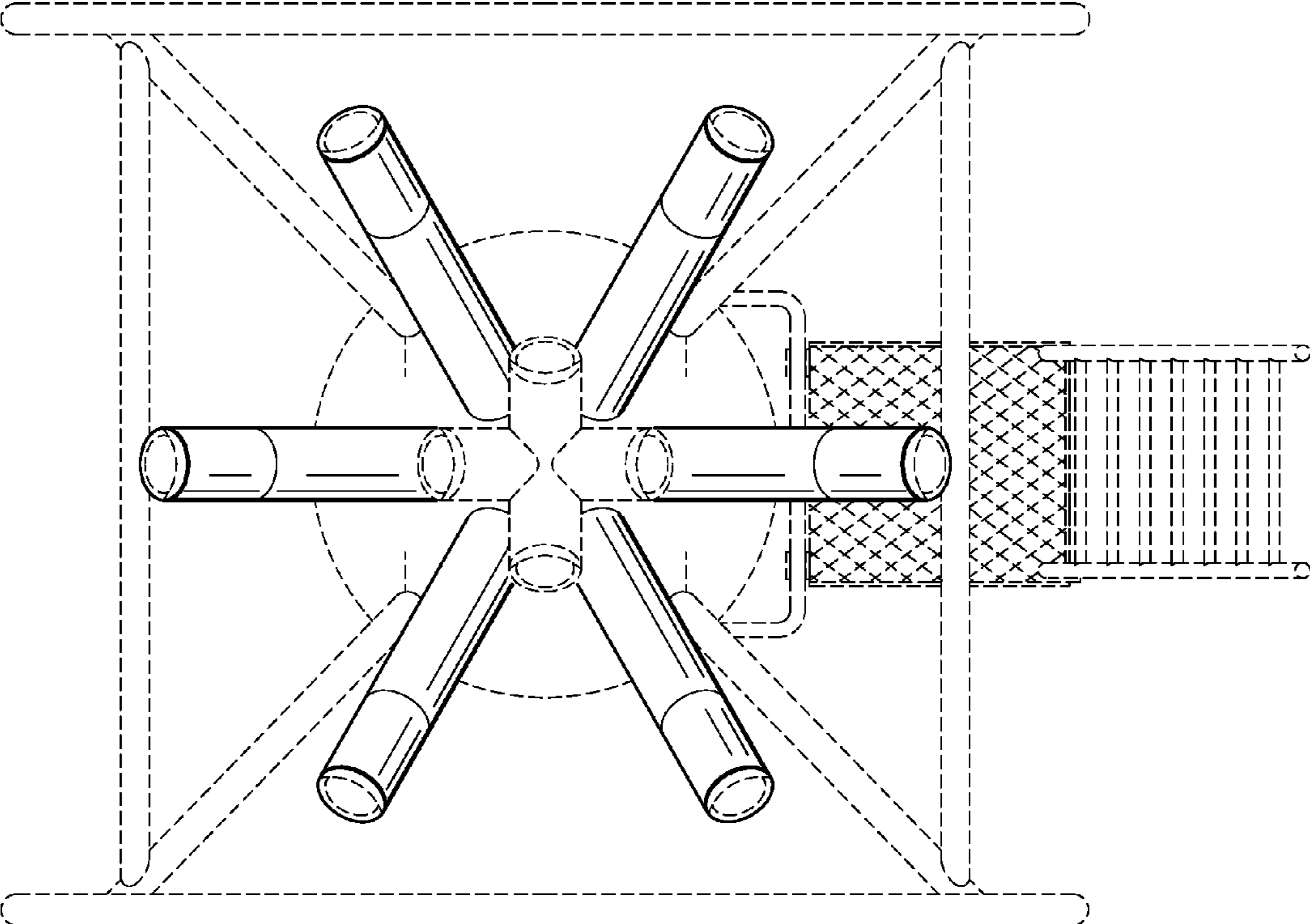


FIG. 7