



US00D622452S

(12) **United States Design Patent**
Castro

(10) **Patent No.:** **US D622,452 S**

(45) **Date of Patent:** **** Aug. 24, 2010**

(54) **FOUR PORT FEED STATION**

(76) **Inventor:** **Lawrence Robert Castro**, 14704 Lake
Magdalene Cir., Tampa, FL (US) 33613

(**) **Term:** **14 Years**

(21) **Appl. No.:** **29/355,158**

(22) **Filed:** **Feb. 3, 2010**

(51) **LOC (9) Cl.** **30-03**

(52) **U.S. Cl.** **D30/121; D30/131**

(58) **Field of Classification Search** D30/133,
D30/121, 122, 124, 127, 128, 132; 119/51.01,
119/61, 51.04, 53, 57.91, 54, 53.5, 52.4,
119/51.11, 63, 61.2, 52.1, 57.5, 57.6, 51.13,
119/62, 75, 500, 501; 239/7, 687, 379, 397.5;
222/199, 181.1, 181.2, 185.1, 557, 156, 485,
222/486, 548, 555; 220/200, 227, 247, 262;
221/174, 185.1, 289, 295, 296, 559; 454/35;
209/270, 283, 244; 52/194, 192; 49/279,
49/344, 357; D34/28

See application file for complete search history.

(56) **References Cited**

U.S. PATENT DOCUMENTS

410,563 A * 9/1889 Seward 119/52.4

D142,793 S * 11/1945 Running et al. D30/131
D182,624 S * 4/1958 Rysdon et al. D30/131
D188,655 S * 8/1960 Blough D30/131
D321,769 S * 11/1991 Schafer D30/132
2007/0163505 A1 * 7/2007 Lynch 119/52.1

* cited by examiner

Primary Examiner—Susan Moon Lee

(74) *Attorney, Agent, or Firm*—Larson & Larson, P.A.; Frank
Liebenow

(57) **CLAIM**

I claim the ornamental design for a four port feed station, as
shown and described.

DESCRIPTION

FIG. 1 is a front elevation view of the four port feed station
showing my novel design;

FIG. 2 is a rear elevation view thereof;

FIG. 3 is a left side view thereof;

FIG. 4 is a right side view thereof;

FIG. 5 is a top plan view thereof;

FIG. 6 is a bottom plan view thereof; and,

FIG. 7 is a perspective view thereof.

1 Claim, 4 Drawing Sheets

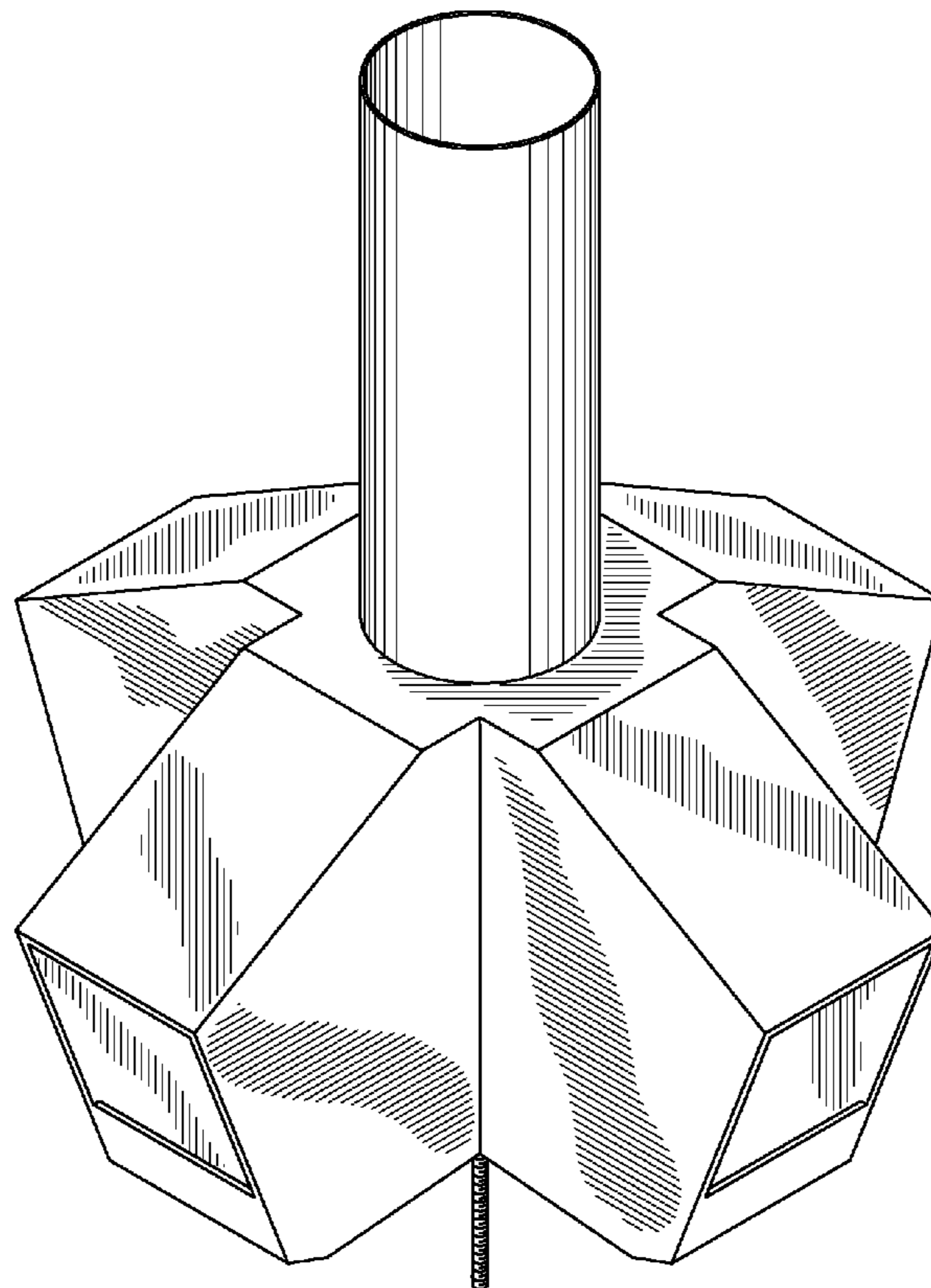


FIG. 1

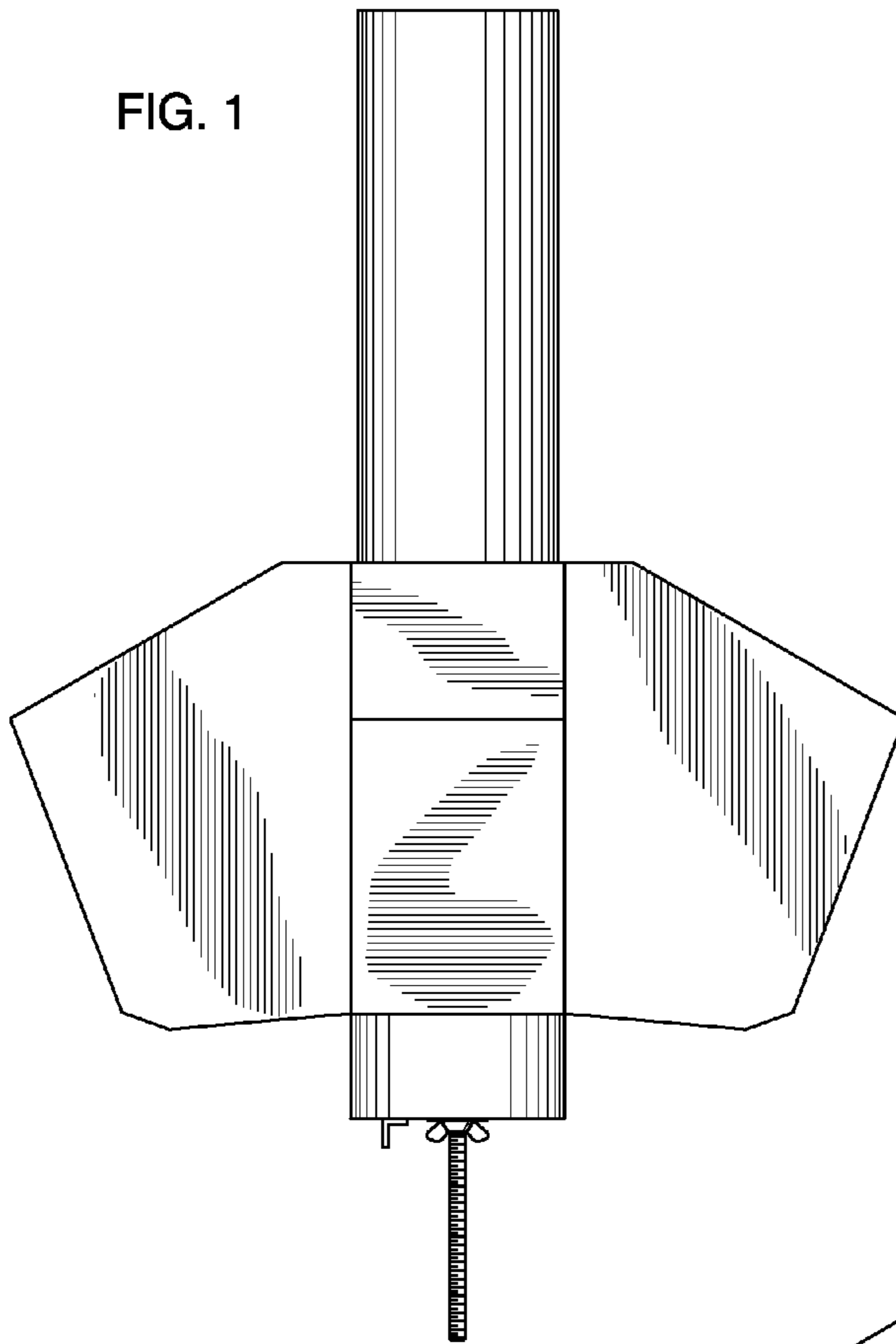


FIG. 2

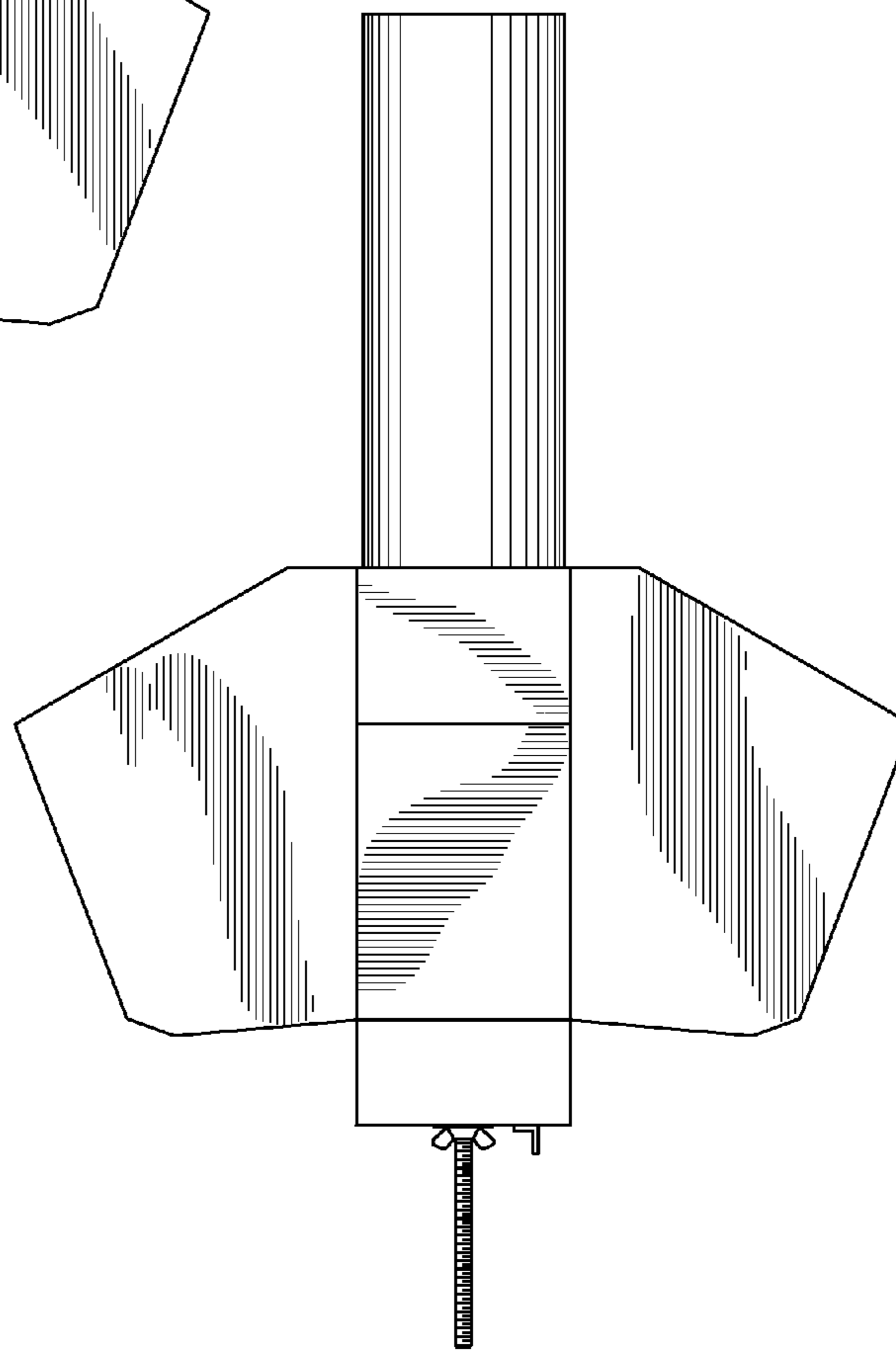


FIG. 3

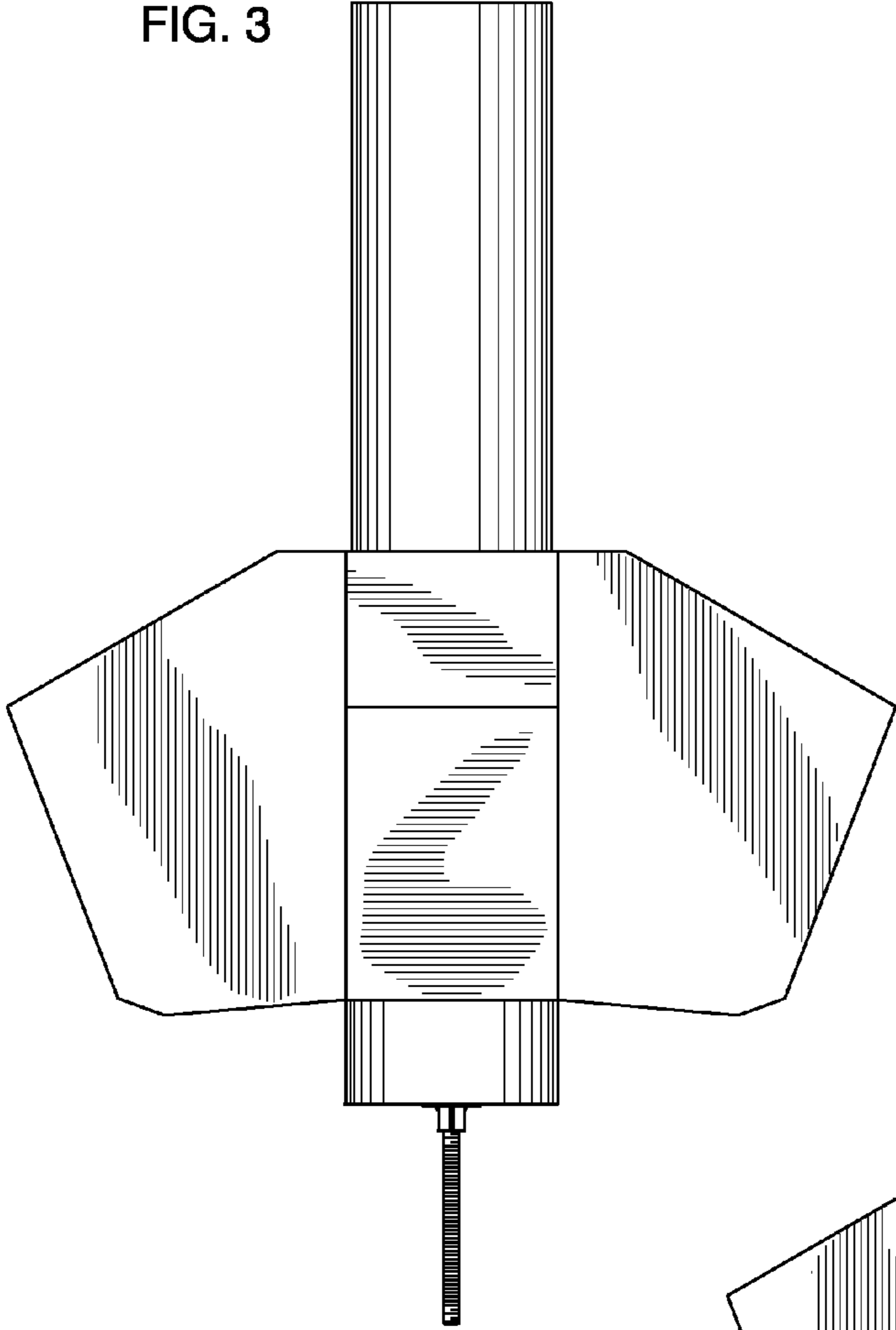
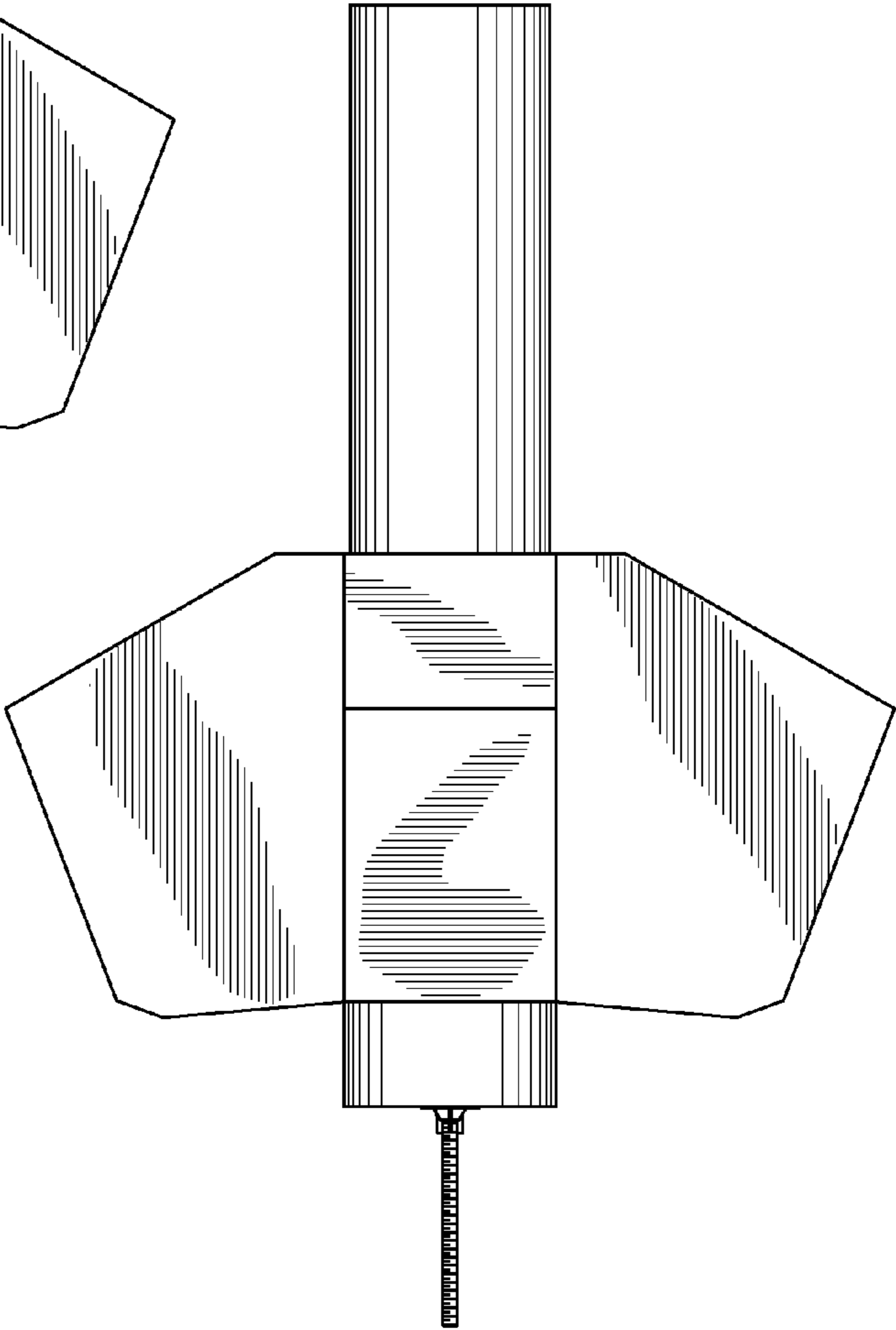


FIG. 4



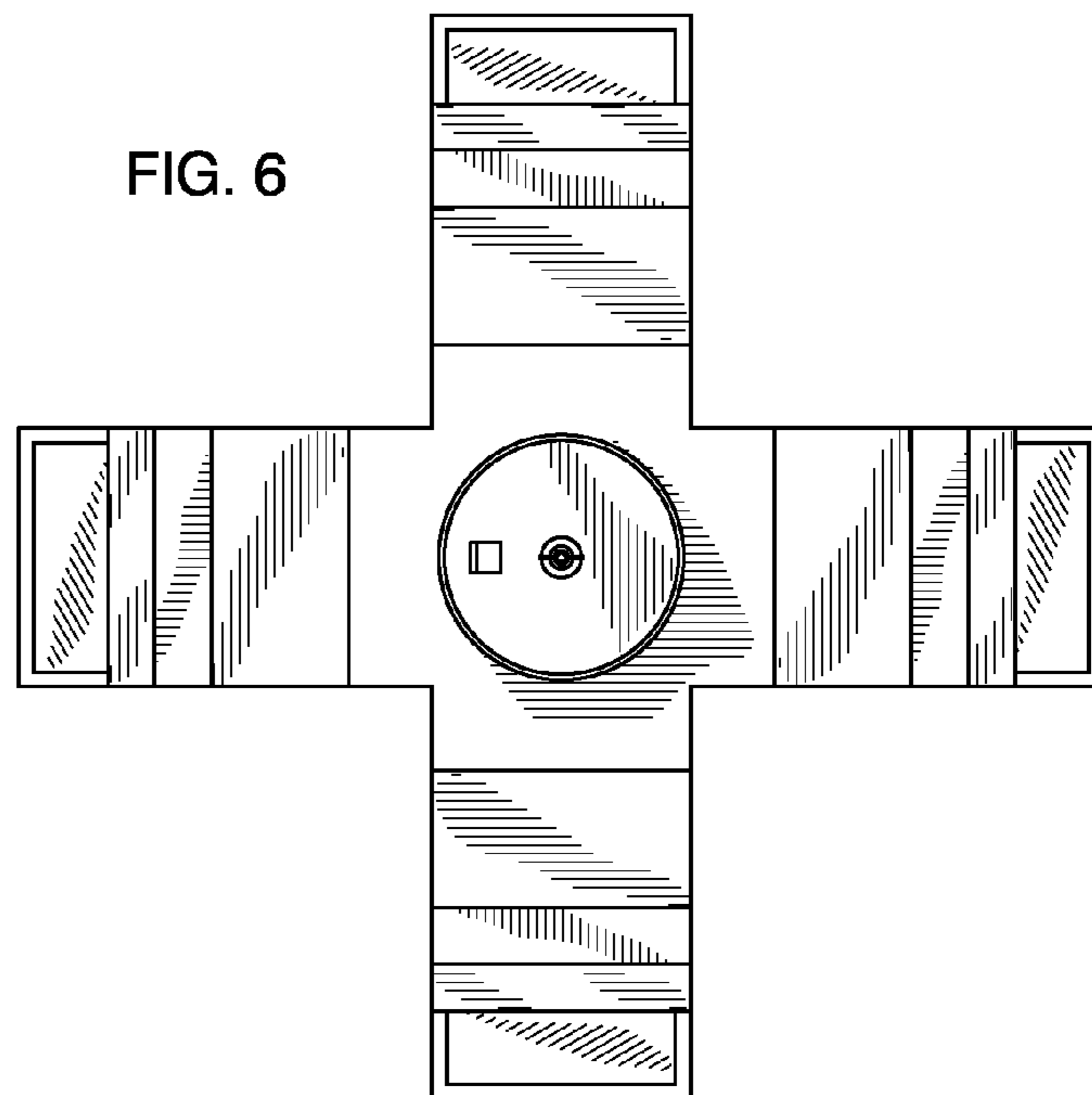
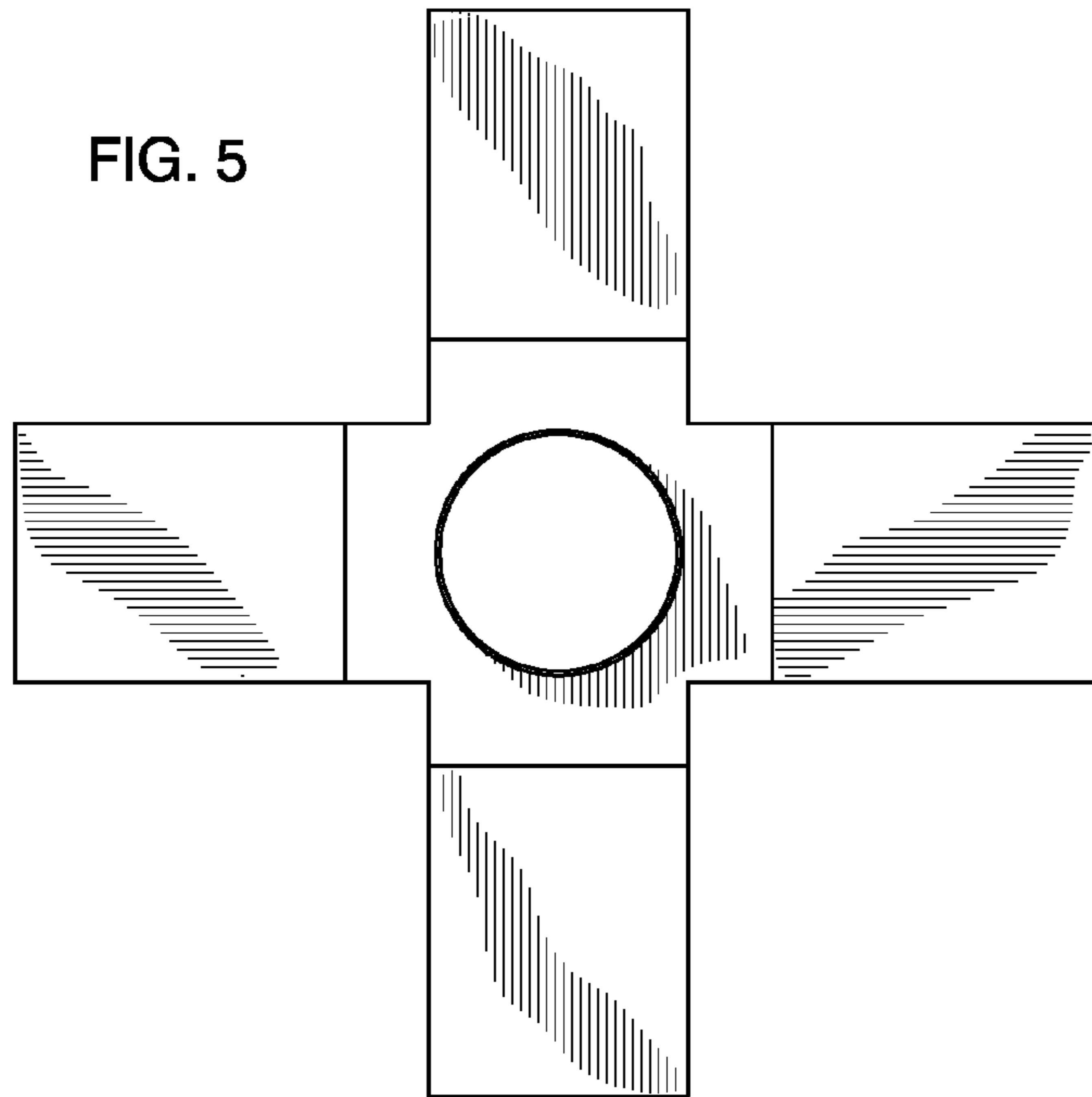


FIG. 7

